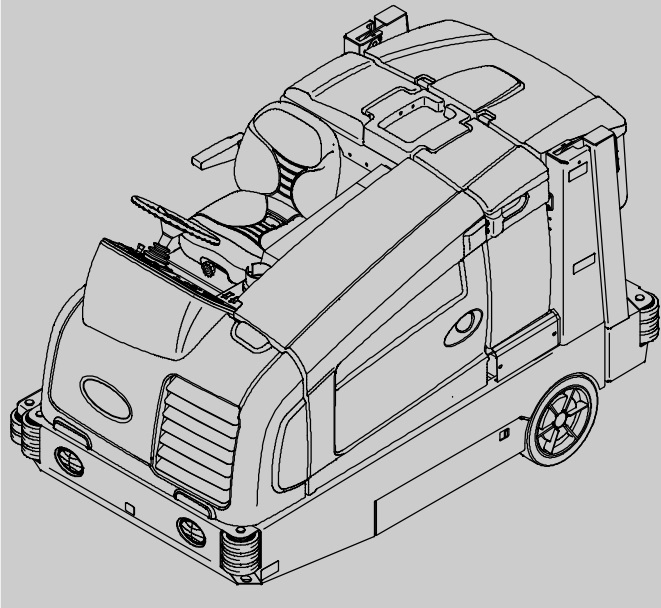
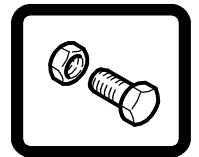




# M20

(Diesel)

## Scrubber-Sweeper Parts Manual



***Foam Scrubbing Technology***  
***The Safe Scrubbing Alternative***<sup>®</sup>

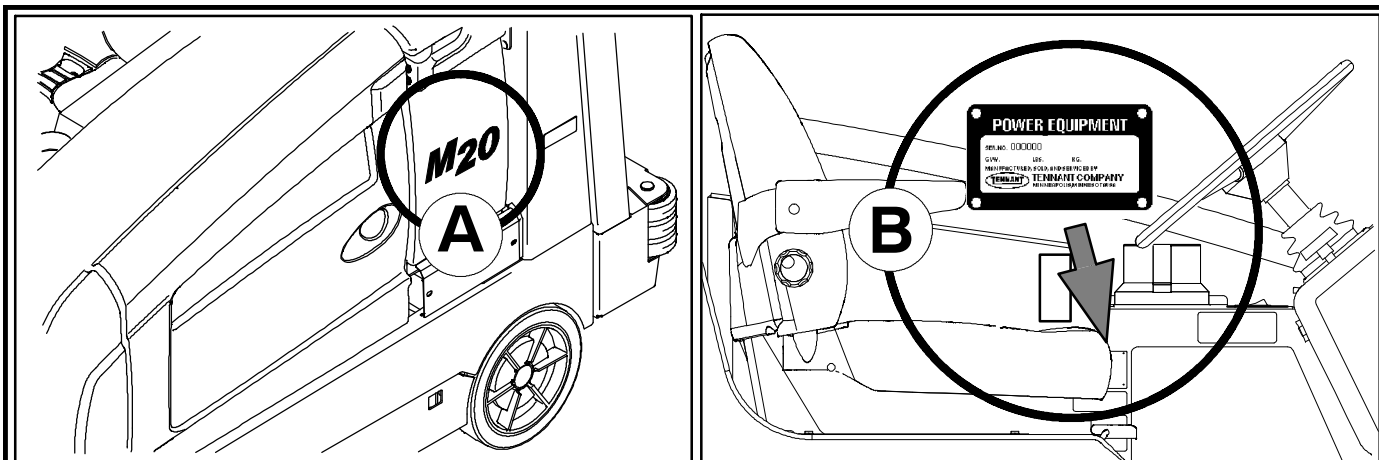
***Hygenic***<sup>®</sup> ***Fully Cleanable Tanks***  
***FloorSmart***<sup>™</sup> ***Integrated Cleaning System***  
***ES***<sup>®</sup> ***Extended Scrub System***

**North America / International**

[www.tennantco.com](http://www.tennantco.com)

**331411**  
**Rev. 06 (5-2009)**





Ref	Part No.	Serial Number	Description	Qty.
1	82681	(000000- )	Bracket Wldt, Lpg Mount	1
2	63810	(000000- )	Latch Assy, Lpg Tank Mtg, W/Nut	4
3	51839	(000000- )	Nut Adjustable, Lpg Tank Mtg	2
4	49263	(000000- )	Tie, Cable	3
5	82556	(000000-001039)	Bracket, Vaporizer	1
6	54930	(000000- )	Vaporizer, LPG	1

**HOW TO ORDER PARTS - See diagram above**

Only use TENNANT Company supplied or equivalent parts. Parts and supplies may be ordered online, by phone, by fax or by mail.

Follow the steps below to ensure prompt delivery.

1. **(A)** Identify the machine model.
2. **(B)** Identify the machine serial number from the data plate.
3. **(C)** Ensure the proper serial number is used from the parts list.
4. Identify the part number and quantity. Do not order by page or reference numbers.
5. Provide your name, company name, customer ID number, billing and shipping address, phone number and purchase order number.
6. Provide detail shipping instructions.

**(D)** ▽ - Identifies an assembly  
 ▲ - Identifies parts included in assembly

**EN**

**Please fill out at time of installation for future reference.**

Model No. - \_\_\_\_\_

Serial No. - \_\_\_\_\_

Machine Options - \_\_\_\_\_

Sales Rep. - \_\_\_\_\_

Sales Rep. phone no. - \_\_\_\_\_

Customer ID Number - \_\_\_\_\_

Installation Date - \_\_\_\_\_

**Tennant Company**  
 PO Box 1452  
 Minneapolis, MN 55440  
 Phone: (800) 553-8033 or (763) 513-2850  
 www.tennantco.com

Thermo-Sentry, Touch-N-Go, 1-STEP, Clean-Wedge, Variable Drain Valve, EasyOpen, Grip-N-Go, MaxPro<sup>2</sup>, Dura-Track, SmartRelease, InstantAccess, Duramer, FaST-PAK, ErgoSpace and Lower Total Cost of Ownership are US registered and unregistered trademarks of Tennant Company.

Specifications and parts are subject to change without notice.

Original Information, copyright © 2006 - 2009 TENNANT Company, Printed in U.S.A.

<b>CN</b>	<p><b>如何订购部件 - 参见下表</b></p> <p>仅使用 TENNANT 公司提供的或同等部件。部件和供应可以在线订购，通过电话、传真或邮件订购。请遵循下面的步骤确保及时交付。</p> <ol style="list-style-type: none"> <li>1. <b>(A)</b> 确定机器型号。</li> <li>2. <b>(B)</b> 从数据标签确定机器序列号。</li> <li>3. <b>(C)</b> 确保使用部件列表中的正确序列号。</li> <li>4. 确定部件号和数量。 不要按页面或参考编号订购。</li> <li>5. 提供您的姓名、公司名称、客户 ID 号、付帐和送货地址、电话号码和采购单编号。</li> <li>6. 提供详细的送货说明。</li> </ol> <hr/> <p><b>(D)</b> ▽ - 确定组件 ▲ - 确定组件中包含的组件</p>	<p><b>请在安装时填写供未来参考。</b></p> <p>型号 - _____</p> <p>序列号 - _____</p> <p>机器选项 - _____</p> <p>销售代表 - _____</p> <p>销售代表电话号码 - _____</p> <p>客户 ID 编号 - _____</p> <p>安装日期 - _____</p>
-----------	--	--

<b>ES</b>	<p><b>CÓMO SOLICITAR PIEZAS - Consulte el diagrama anterior.</b></p> <p>Utilice sólo las piezas suministradas por TENNANT Company o piezas equivalentes. Puede solicitar las piezas a través de internet, por teléfono, por fax o por correo.</p> <p>Siga los siguientes pasos para que la entrega sea rápida.</p> <ol style="list-style-type: none"> <li>1. <b>(A)</b> Indique el modelo de máquina.</li> <li>2. <b>(B)</b> Indique el número de serie de la etiqueta de datos.</li> <li>3. <b>(C)</b> Asegúrese de que indica el número de serie correcto de la lista de piezas.</li> <li>4. Indique la cantidad y el número de la pieza. No realice el pedido indicando el número de página o el de referencia.</li> <li>5. Incluya su nombre, el nombre de la empresa, el ID de cliente, las direcciones de envío y facturación, el número de teléfono y el número del pedido de compra.</li> <li>6. Facilite instrucciones de envío.</li> </ol> <hr/> <p><b>(D)</b> ▽ - identifica un conjunto ▲ - identifica piezas de un conjunto</p>	<p><b>Rellene estos datos cuando realice la instalación para utilizarlos como referencia en el futuro.</b></p> <p>Nº modelo - _____</p> <p>Nº serie - _____</p> <p>Opciones de la máquina - _____</p> <p>Vendedor - _____</p> <p>Nº teléfono vendedor - _____</p> <p>Nº cliente - _____</p> <p>Fecha de instalación - _____</p>
-----------	--	---

<b>FR</b>	<p><b>COMMENT COMMANDER DES PIÈCES DÉTACHÉES - Voir le schéma ci-dessus.</b></p> <p>Utilisez uniquement des pièces fournies par la société TENNANT ou équivalentes. Les pièces et fournitures peuvent être commandées en ligne, par téléphone, fax, ou par courrier.</p> <p>Suivez les étapes ci-dessous pour assurer une livraison rapide.</p> <ol style="list-style-type: none"> <li>1. <b>(A)</b> Identifiez le modèle de la machine.</li> <li>2. <b>(B)</b> Identifiez le numéro de série de la machine, à partir de l'étiquette signalétique.</li> <li>3. <b>(C)</b> Assurez-vous que le numéro de série correct est utilisé à partir de la liste de pièces détachées.</li> <li>4. Identifiez le numéro de pièce et la quantité. Ne commandez pas par page ou numéros de référence.</li> <li>5. Fournissez votre nom, le nom de votre société, votre numéro d'identification de client, l'adresse de facturation et d'expédition, le numéro de téléphone et le numéro du bon de commande.</li> <li>6. Fournissez des instructions d'expédition détaillées.</li> </ol> <hr/> <p><b>(D)</b> ▽ - identifie un assemblage ▲ - identifie les pièces composant l'assemblage</p>	<p><b>A remplir au moment de l'installation à titre de référence.</b></p> <p>Nº du modèle - _____</p> <p>Nº de série - _____</p> <p>Options de la machine - _____</p> <p>Agent commercial - _____</p> <p>Nº tél. de l'agent commercial - _____</p> <p>Numéro d'identification client - _____</p> <p>Date d'installation - _____</p>
-----------	--	---

<b>JP</b>	<p><b>パーツの発注方法 ? 上記の図を参照してください</b></p> <p>TENNANT社製のパーツまたは同等品のみをお使いください。パーツやサプライ品のご注文は、オンライン、電話、FAX、または手紙でお願いいたします。確実にお届けできるように、以下の情報お知らせください。</p> <ol style="list-style-type: none"> <li>1. <b>(A)</b> 製品のモデル名をお知らせください。</li> <li>2. <b>(B)</b> 製品のデータラベルに印刷されているシリアル番号をお知らせください。</li> <li>3. <b>(G)</b> パーツリストを参照して、シリアル番号が正しいかご確認ください。</li> <li>4. パーツ番号と数量をお知らせください。マニュアル/カタログのページ番号や参照番号でのご注文はご遠慮ください。</li> <li>5. お客様のお名前、会社名、顧客ID番号、請求/発送先住所、電話番号、注文書番号をお知らせください。</li> <li>6. 発送に関するご希望があれば、明記してください。</li> </ol> <hr/> <p><b>(D)</b> ▽ - アセンブリを示します ▲ - アセンブリに含まれるパーツを示します</p>	<p><b>後日確認できるように、設置時に記入してください。</b></p> <p>モデルNo. - _____</p> <p>シリアルNo. - _____</p> <p>製品のオプション - _____</p> <p>販売代理店 - _____</p> <p>販売代理店の電話番号 - _____</p> <p>顧客ID番号 - _____</p> <p>設置日 - _____</p>
-----------	---	---



# GENERAL RECOMMENDED MAINTENANCE

## General Recommended Maintenance Items

Ref.	Part No.	Serial Number	Description	Qty.
▽	9003130	(000000-002593 )	Maint Kit, 400hr, Dsl [M20/T20]	1
▲	369746	(000000-002593 )	Element, Fltr, Air [Dn]	1
▲	39703-2	(000000-002593 )	Element, Fltr, Oil, Spin-On [Ku]	1
▲	1017126	(000000-002593 )	Element, Fltr, Fuel [Dn]	1
▲	1023911	(000000-002593 )	Belt, V, 37.5l [3v]	1
▲	31613	(000000-002593 )	Strainer, Hyd, 25 Gpm 100 Mesh	1
▲	1021579	(000000-002593 )	Filter Assy [Pt4 936498]	1
▽	9006060	(002594-	Maint Kit, 400hr, Dsl [M20/T20]	1
▲	369746	(002594-	Element, Fltr, Air [Dn]	1
▲	39703-2	(002594-	Element, Fltr, Oil, Spin-On [Ku]	1
▲	1017126	(002594-	Element, Fltr, Fuel [Dn]	1
▲	31613	(002594-	Strainer, Hyd, 25 Gpm 100 Mesh	1
▲	1021579	(002594-	Filter Assy [Pt4 936498]	1
▲	393244	(002594-	Belt, V, 42.0L [Hc41]	1
▲	1018296	(000000-	Filter, Panl, Dust, 4.2 X 20.0 X 30.0	1
	1027290	(000000-	Filter, Soltn, 20mesh, Pm12 3.1d 02.6l	1
	87866	(000000-	Key, Ignition [Set Of 2]	1
	10143	(000000-	Battery, Wet, 12vdc 0600cca	1
	20833	(000000-	Wheel, 3.0d 1.38w 0.50b	2
	1024586	(000000-	Skirt, Neo, .06, 06.85w 27.95l, 08 Hole	2
	1019295	(000000-	Skirt, Neo, .18, 10.37w 27.95l, 12 H&S	2
	1020166	(000000-	Skirt, Neo, .06, 12.00w 45.88l, 07 Hole	1
	1022009	(000000-	Skirt, Neo, .06, 06.38w 40.86l, 06 Hole	1
	1022007	(000000-	Skirt, Rbr, .37, 04.50w 40.94l, 06 Hole	1
	1017868	(000000-	Blade, Sqge, Front, 49.58l Linatex	1
	1031331	(000000-	Blade, Sqge, Rear, Linatex	1
	83874	(000000-	Gasket, Sqge	2
	1031011	(000000-	Blade, Sqge, .38 3.55w 038.3l, Linatex	2
	1027719	(000000-	Blade, Sqge, Front, 49.58l Ure	1
	1031945	(000000-	Blade, Sqge, Rear, 53.78l Ure	1
	1031823	(000000-	Blade, Sqge, .38 3.55w 038.3l, Ure	2
	1027716	(000000-	Squeegee Assy, Sba, Ure	1
	84597	(000000-	Tire Assy, Solid, 18.0x6.0 4.5bc/5bolt	1
	1025005	(000000-	Squeegee Assy, Sba, Linatex	1
	16411	(000000-	Paint, Airdry, Off-White, 12oz	1
	16412	(000000-	Paint, Airdry, Teal, 12oz, Solid	1
	377540	(000000-	Paint, Airdry, Blk, 12oz	1
	377538	(000000-	Paint, Airdry, Gray, 12oz [Enamel]	1
	377537	(000000-	Paint, Airdry, Iron Gray, 12oz[Pwdr Coat]	1

# GENERAL RECOMMENDED MAINTENANCE

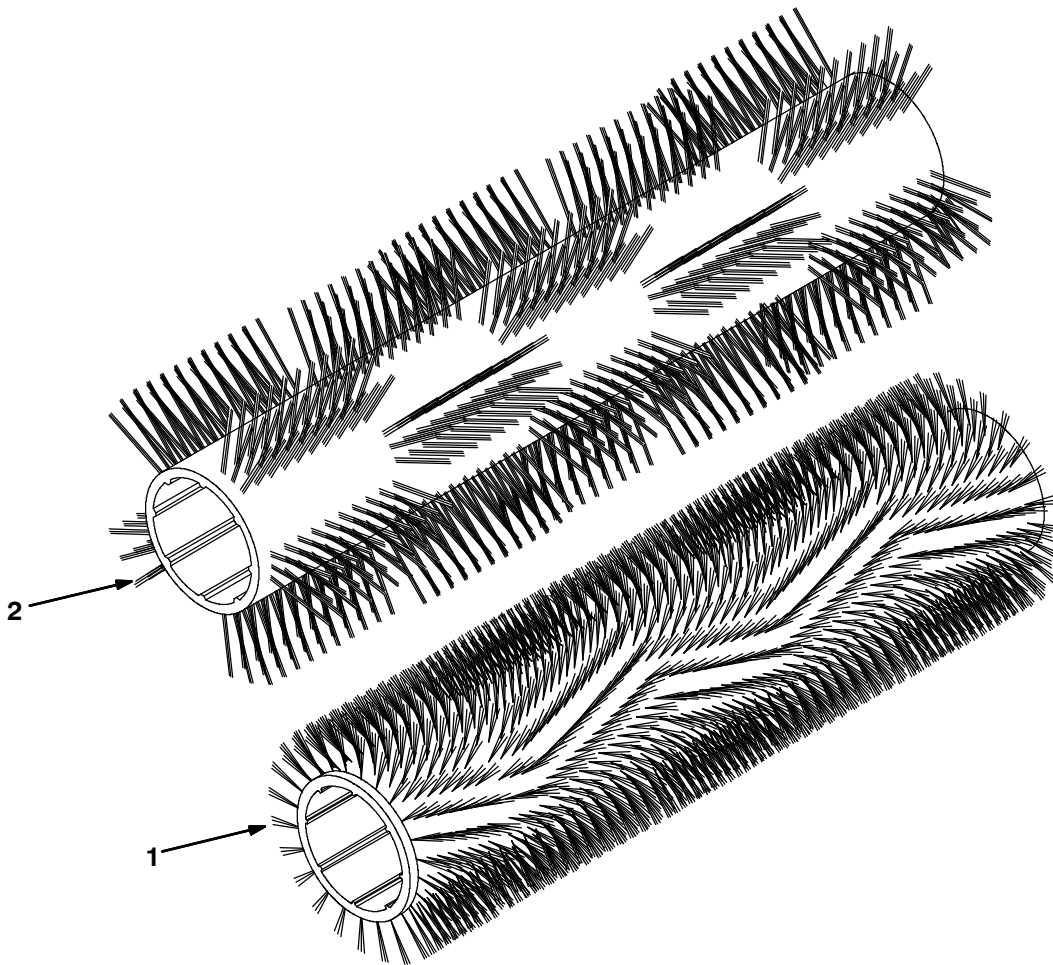
---

## SECTION 2

Contents	Page
Fig. 1 - Brushes, Replacement, Scrub Head	2-2
Fig. 2 - Brushes, Replacement, Side Brush	2-3
Fig. 3 - Main Frame Group	2-4
Fig. 4 - Operator Station Group	2-6
Fig. 5 - Operator Station Insulation Group	2-8
Fig. 6 - Instrument Panel Group, Diesel	2-10
Fig. 7 - Seat Group	2-12
Fig. 8 - Steering Group	2-14
Fig. 9 - Front Cover Group	2-16
Fig. 10 - Engine Cover Group	2-18
Fig. 11 - Engine and Mount Group, Diesel	2-20
Fig. 12 - Engine Fuel Tank Group, Diesel	2-24
Fig. 13 - Engine Fuel Line Group, Diesel	2-26
Fig. 14 - Engine Air Cleaner Group, Diesel	2-28
Fig. 15 - Engine Alternator Group, Diesel (000000-002547)	2-30
Fig. 16 - Engine Alternator Group, Diesel (002548- )	2-32
Fig. 17 - Engine Muffler Group, Diesel	2-34
Fig. 18 - Engine Radiator Group, Diesel	2-36
Fig. 19 - Battery and Electrical Group	2-38
Fig. 20 - Wheel Group, Front Drive	2-40
Fig. 21 - Wheel Group, Rear	2-42
Fig. 22 - Brake Pedal Linkage Group	2-44
Fig. 23 - Directional Pedal and Linkage Group, Diesel	2-46
Fig. 24 - Hopper Lift Arms Group	2-48
Fig. 25 - Hopper and Debris Screen Group	2-50
Fig. 26 - Hopper Cover and Dust Filter Group	2-52
Fig. 27 - Hopper Bumper Group	2-54
Fig. 28 - Hopper Door Group	2-56
Fig. 29 - Brush Drive Group, Left Side	2-58
Fig. 30 - Brush Drive Group, Right Side	2-60
Fig. 31 - Brush Head Lift Group	2-62
Fig. 32 - Brush Head Skirt Group	2-64
Fig. 33 - Squeegee Lift Group, Rear	2-66
Fig. 34 - Squeegee Group, Rear	2-68
Fig. 35 - Squeegee Linkage Group, Rear	2-70
Fig. 36 - Squeegee Group, Right Side	2-72
Fig. 37 - Squeegee Lift Group, Right Side	2-74
Fig. 38 - Squeegee Group, Left Side	2-76
Fig. 39 - Squeegee Lift Group, Left Side	2-78
Fig. 40 - Solution Tank Group	2-80
Fig. 41 - Solution Tank Drain Group	2-84
Fig. 42 - Solution Control Group	2-86
Fig. 43 - Recovery Tank Group	2-88
Fig. 44 - Recovery Tank Drain Group	2-90
Fig. 45 - Vacuum Fan Group, Scrubbing	2-92
Fig. 46 - Vacuum Fan Group, Sweeping	2-94

Contents	Page
Fig. 47 - Hydraulic Schematic (000000-026999)	2-96
Fig. 48 - Hydraulic Schematic (027000- )	2-98
Fig. 49 - Hydraulic Hose Group, Steering and Propel	2-100
Fig. 50 - Hydraulic Hose Group, Pump and Vacuum Fans	2-102
Fig. 51 - Hydraulic Hose Group, Brush and Hopper	2-104
Fig. 52 - Hydraulic Hose Group, Squeegee Lift	2-106
Fig. 53 - Hydraulic Pumps Group	2-108
Fig. 54 - Hydraulic Cooler and Tubes Group	2-110
Fig. 55 - Hydraulic Reservoir Group	2-112
Fig. 56 - Hydraulic Valves Group (000000-026999)	2-114
Fig. 57 - Hydraulic Valve Group (027000- )	2-116
Fig. 58 - Electrical Schematic (000000-002532)	2-118
Fig. 59 - Electrical Schematic (002533- )	2-122
Fig. 60 - Electrical Schematic, Diesel Engine Harness	2-126
Fig. 61 - Electrical Wire Harnesses Group	2-127
Fig. 62 - Label Group	2-148

**Fig. 1 - Brushes, Replacement, Scrub Head**

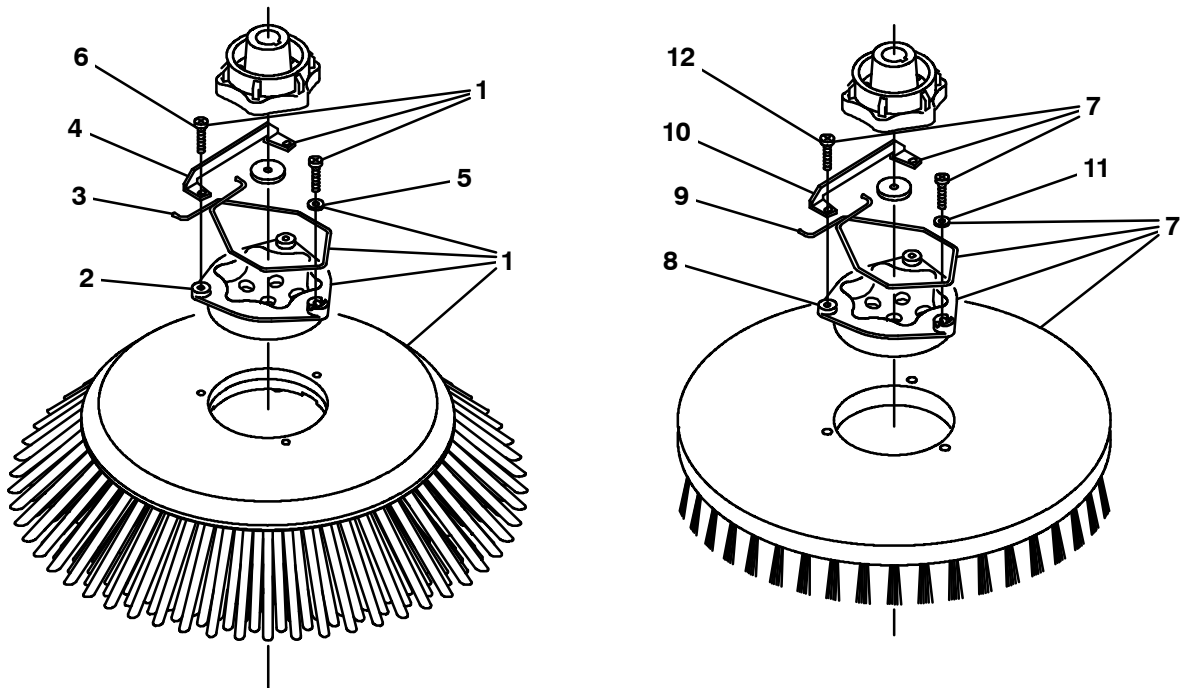


354408

Ref.	Part No.	Serial Number	Description	Qty.
1	1026223	(000000-	) Brush, Swp / Scb, 40l, Polypropylene	2
1	1026222	(000000-	) Brush, Swp / Scb, 40l, Super Abrasive	2
1	1027697	(000000-	) Brush, Swp / Scb, 40l, Polyester	2
1	1030969	(000000-	) Brush, Swp / Scb, 40l, Heavy Duty Polypropylene	2
2	1040524	(000000-	) Brush, Swp / Scb, 40l, Wndw, Polypropylene	1



Fig. 2 - Brushes, Replacement, Side Brush



354584

Ref.	Part No.	Serial Number	Description	Qty.
▽	1	1027688	(000000- ) Brush Assy, Disk, Swp, 24.0d, Polypropylene	1
▲	2	15539	(000000- ) Hub, Drive, Brush, Disk, 3hole 5.8bc[6t]	1
▲	3	14838	(000000- ) Spring, Wir, 0.16d, Brush Retaining	1
▲	4	24299	(000000- ) Bracket, Retainer, Spring	1
▲	5	01684	(000000- ) Washer, Flat, 0.27b 0.69d .05, Ss	1
▲	6	32746	(000000- ) Screw, Pan, Phl, M6 X 1.00 X 35, Ss	3
▽	7	1042499	(000000- ) Brush Assy, Disk, Scg, 16.0 D, Soft Nylon	1
▲	8	1017368	(000000- ) Hub, Drive, Brush, Disk, 3hole 5.8bc	1
▲	9	14838	(000000- ) Spring, Wir, 0.16d, Brush Retaining	1
▲	10	24299	(000000- ) Bracket, Retainer, Spring	1
▲	11	01684	(000000- ) Washer, Flat, 0.27b 0.69d .05, Ss	1
▲	12	32746	(000000- ) Screw, Pan, Phl, M6 X 1.00 X 35, Ss	3
▽	7	1042500	(000000- ) Brush Assy, Disk, Scg, 16.0 D, Polypropylene	1
▲	8	1017368	(000000- ) Hub, Drive, Brush, Disk, 3hole 5.8bc	1
▲	9	14838	(000000- ) Spring, Wir, 0.16d, Brush Retaining	1
▲	10	24299	(000000- ) Bracket, Retainer, Spring	1
▲	11	01684	(000000- ) Washer, Flat, 0.27b 0.69d .05, Ss	1
▲	12	32746	(000000- ) Screw, Pan, Phl, M6 X 1.00 X 35, Ss	3
▽	7	1042504	(000000- ) Brush Assy, Disk, Scg, 16.0 D, Super Abrasive	1
▲	8	1017368	(000000- ) Hub, Drive, Brush, Disk, 3hole 5.8bc	1
▲	9	14838	(000000- ) Spring, Wir, 0.16d, Brush Retaining	1
▲	10	24299	(000000- ) Bracket, Retainer, Spring	1
▲	11	01684	(000000- ) Washer, Flat, 0.27b 0.69d .05, Ss	1
▲	12	32746	(000000- ) Screw, Pan, Phl, M6 X 1.00 X 35, Ss	3

**Fig. 3 - Main Frame Group**

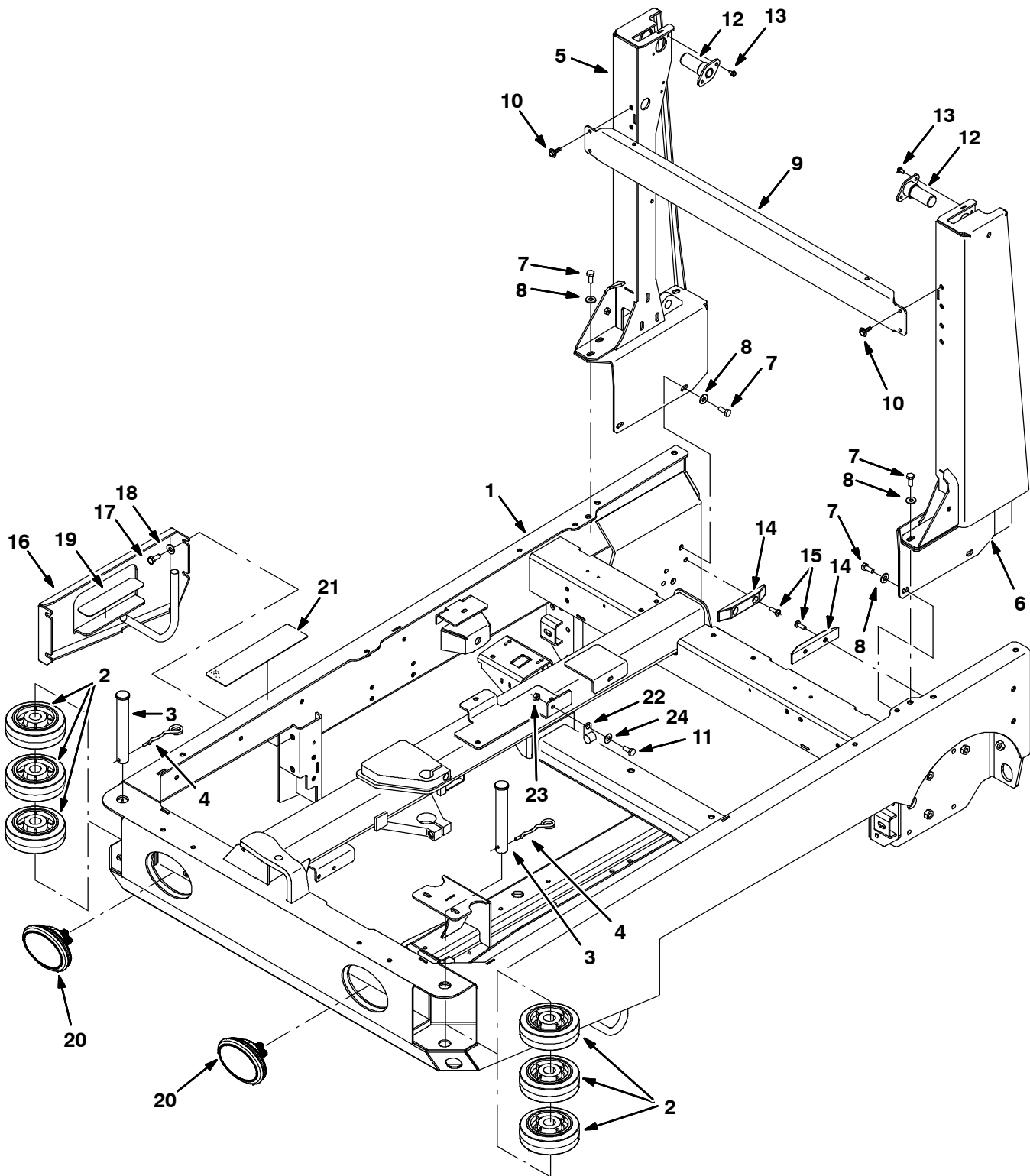


Fig. 3 - Main Frame Group

Ref.	Part No.	Serial Number	Description	Qty.	
1	9002401	(000000-	) Frame Wldt, Main, Replmt [m20 & T20]	1	
2	1021047	(000000-	) Wheel, 06.0d 2.00w 1.19b, Gray Rbr	6	
3	1017672	(000000-	) Pin, Clevis, 30mmd X 200mml	2	
4	761490	(000000-	) Pin, Cotter, Hair, Dbl	2	
5	9002400	(000000-	) Tower, Wldt, Lift, Rh, Replmt [M20]	1	
6	9002399	(000000-	) Tower, Wldt, Lift, Lh, Replmt [M20]	1	
7	39283	(000000-	) Screw, Hex, M10 X 1.5 X 25, 8.8	10	
8	32492	(000000-	) Washer, Flat, 0.38 Std	10	
9	1017791	(000000-	) Channel, Upper, Tower, Lift	1	
10	1037346	(000000-	) Screw, Hex, M8 X 1.25 X 25, 9.8, Sems	4	
11	39277	(001338-	) Screw, Hex, M8 X 1.25 X 25, 8.8	1	
12	1019251	(000000-	) Pin Wldt, Pivot, Hppr	2	
13	74455	(000000-	) Screw, Hex, M6 X 1.0 X 12, Fmg	4	
14	1021327	(000000-	) Block, Guide, Hppr	2	
15	367771	(000000-	) Screw, Pan, M8 X 1.25 X 25, Ss	4	
16	1027916	(000000-	) Panel Wldt, Filler	1	
17	12317	(000000-	) Screw, Hex, M10 X 1.5 X 30, Ss	4	
18	01686	(000000-	) Washer, Flat, 0.44b 1.00d .08, Ss	4	
19	363458	(000000-	) Tread, Non-Skid, 01.9w 08.0l	1	
▽	20	1019225	(000000-	) Headlight, 12vdc, 27watt, 2.1a, Oval	2
▲	1031826	(000000-	) Lamp, 12vdc [Speaker]	1	
▲	1031827	(000000-	) Receptacle, Lamp [Speaker]	1	
21	58819	(000000-	) Tread, Non-Skid, 03.0w 11.6l	1	
22	53466	(001338-	) Clamp, Cable, Stl, 1.50d X 1.00w, 1hole	1	
23	08709	(001338-	) Nut, Hex, Lock, M8 X 1.25, NI	1	
24	32491	(001338-	) Washer, Flat, 0.31, Std	1	

Fig. 4 - Operator Station Group

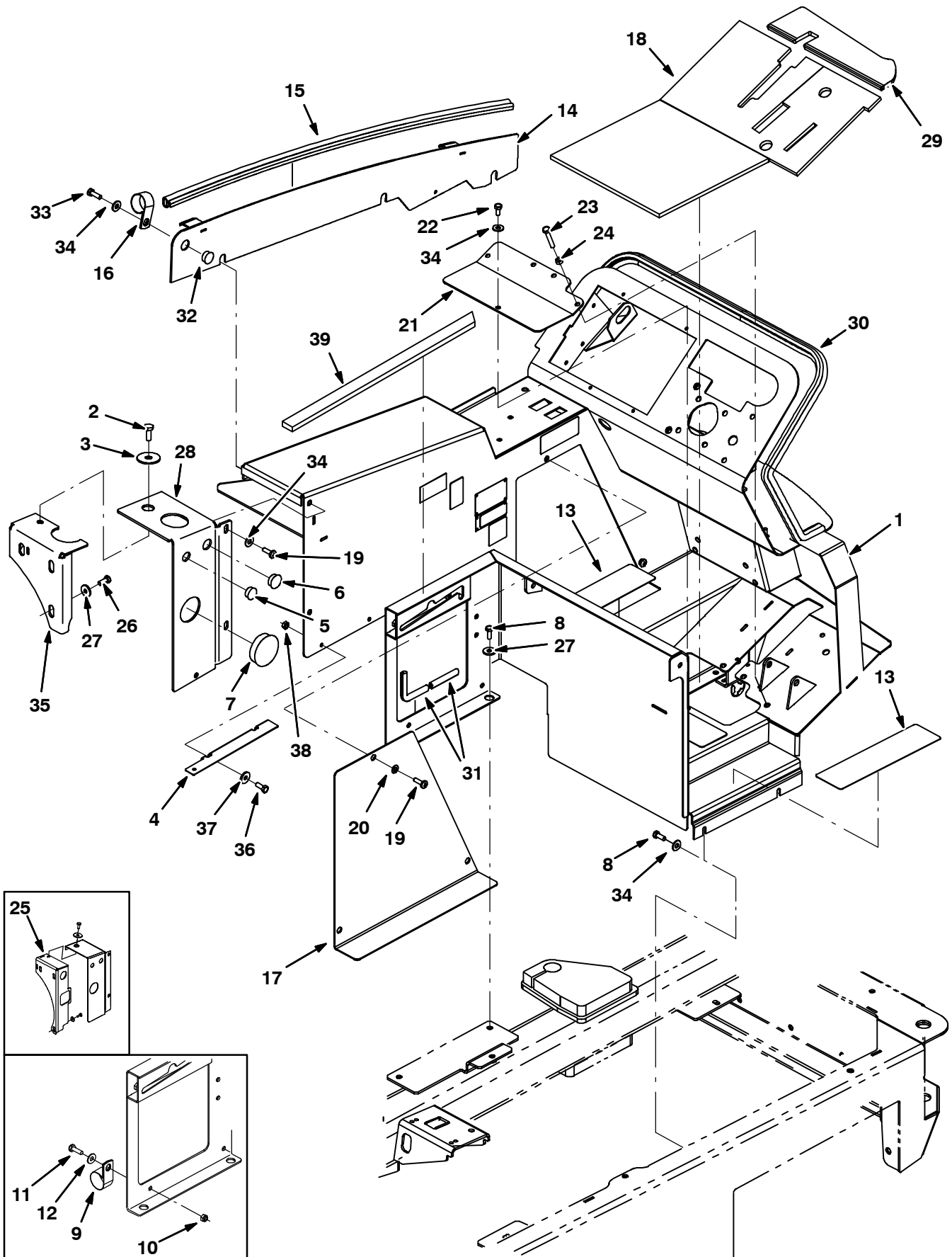


Fig. 4 - Operator Station Group

Ref.	Part No.	Serial Number	Description	Qty.
1	9002410	(000000-	) Panel Wldt, Dsl, Replmt	1
1	9002382	(000000-	) Panel Wldt, Dsl, Replmt [W/Fast]	1
1	9002383	(000000-	) Panel Wldt, Dsl, W/ Es, Replmt	1
1	9003424	(000000-	) Panel Wldt, Dsl, Replmt, TJ (Japan only)	1
1	9003427	(000000-	) Panel Wldt, Dsl, Replmt, TJ [W/Fast] (Japan only)	1
1	9003430	(000000-	) Panel Wldt, Dsl, Replmt, TJ, W/Es (Japan only)	1
2	39283	(000000-	) Screw, Hex, M10 X 1.5 X 25, 8.8	1
3	04414	(000000-	) Washer, Flat, 0.53b 1.88d .12, Stl, PI	1
4	1047169	(000000-	) Bracket, Mtg, Insulation	2
5	82727	(000000-	) Plug, Hole, Rnd, 0.88h .03-.12, Blk Nyl	1
6	01493	(000000-	) Plug, Hole, Rnd, 1.00h .03-.12, Blk Nyl	1
7	1030017	(000000-	) Plug, Hole, Rnd, 2.50h .03-.25, Blk Nyl	1
8	16931	(000000-	) Screw, Hex, M8 X 1.25 X 20, 8.8	8
9	70157	(000000-001337	) Clamp, Cable, Ss, 2.50d X 1.00w, 1h	1
10	08709	(000000-001337	) Nut, Hex, Lock, M8 X 1.25, NI	2
11	39277	(000000-001337	) Screw, Hex, M8 X 1.25 X 25, 8.8	7
12	32491	(000000-001337	) Washer, Flat, 0.31, Std	18
13	58819	(000000-	) Tread, Non-Skid, 03.0w 11.6l	4
14	1025435	(000000-	) Panel Wldt, Adj	1
15	1030593	(000000-	) Seal, Afmkt, Bulb, 90, 0.75d F/11ga 08ft	1
16	53466	(000000-	) Clamp, Cable, Stl, 1.50d X 1.00w, 1h	5
17	1021834	(000000-	) Panel, Access, Door	1
18	1027218	(000000-	) Mat, Floor	1
19	1031665	(000000-	) Screw, Pan, M8 X 1.25 X 25, Blk	4
20	39349	(000000-	) Washer, Flat, 0.31 Sae	3
21	1022699	(000000-	) Panel, Access, Floor	1
22	16931	(000000-	) Screw, Hex, M8 X 1.25 X 20, 8.8	4
23	363976	(000000-	) Screw, Hex, M8 X 1.25 X 60, 8.8, FI	1
24	39311	(000000-	) Nut, Hex, Std, M8 X 1.25	1
25	1020540	(000000-002412	) Bracket Wldt, Mtg, Tank	1
26	09740	(000000-	) Screw, Hex, M8 X 1.25 X 20, Ss	3
27	1017218	(000000-	) Washer, Flat, 0.32b 1.00d .12, Ss	5
28	1033975	(000000-	) Bracket, Mtg	1
29	1027267	(000000-	) Mat, Floor	1
30	1020904	(000000-	) Seal, Panl, Instmt	1
31	1020168	(000000-	) Molding, Afmkt, Trim, Pvc, .08 .11, 1ft	1
32	80288	(002000-	) Plug, Hole, Rnd, 0.81h, Blk	1
33	39277	(000000-	) Screw, Hex, M8 X 1.25 X 25, 8.8	6
34	32491	(000000-	) Washer, Flat, 0.31, Std	17
35	1035997	(002413-	) Bracket Wldt, Mtg, Tank	1
36	06942	(000000-	) Screw, Hex, M6 X 1.00 X 16, 8.8	2
37	32490	(000000-	) Washer, Flat, 0.25, Std	2
38	08708	(000000-	) Nut, Hex, Lock, M6 X 1.00, NI	2
39	1047295	(000000-	) Seal, Foam, 0.50	1

Fig. 5 - Operator Station Insulation Group

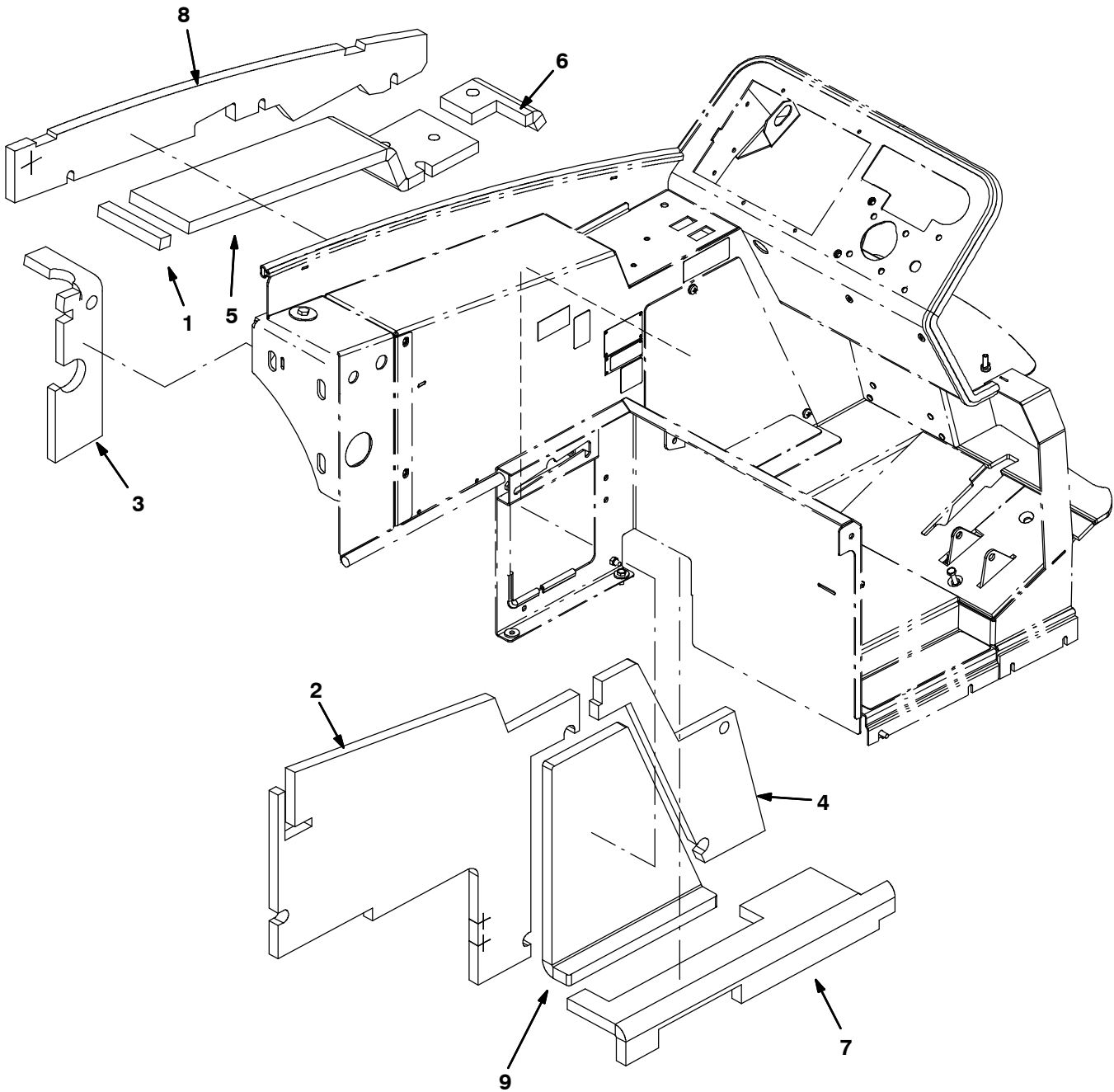


Fig. 5 - Operator Station Insulation Group

Ref.	Part No.	Serial Number	Description	Qty.
1	1034769	(000000-	) Insulation, Flame-retardant, 0.75-0.88	1
2	1034765	(000000-	) Insulation, Flame-retardant, 0.75-0.88	1
3	1040841	(000000-	) Insulation, Flame-Retardant, 0.75-0.88	1
4	1023464	(000000-	) Insulation, Flame-Retardant, 0.75-0.88	1
5	1034764	(000000-	) Insulation, Flame-retardant, 0.75-0.88	1
6	1034766	(000000-	) Insulation, Flame-retardant, 0.75-0.88	1
7	1034768	(000000-	) Insulation, Flame-retardant, 0.75-0.88	1
8	1034770	(000000-	) Insulation, Flame-retardant, 0.75-0.88	1
9	1023569	(000000-	) Insulation, Flame-Retardant, 0.75-0.88	1

Fig. 6 - Instrument Panel Group, Diesel

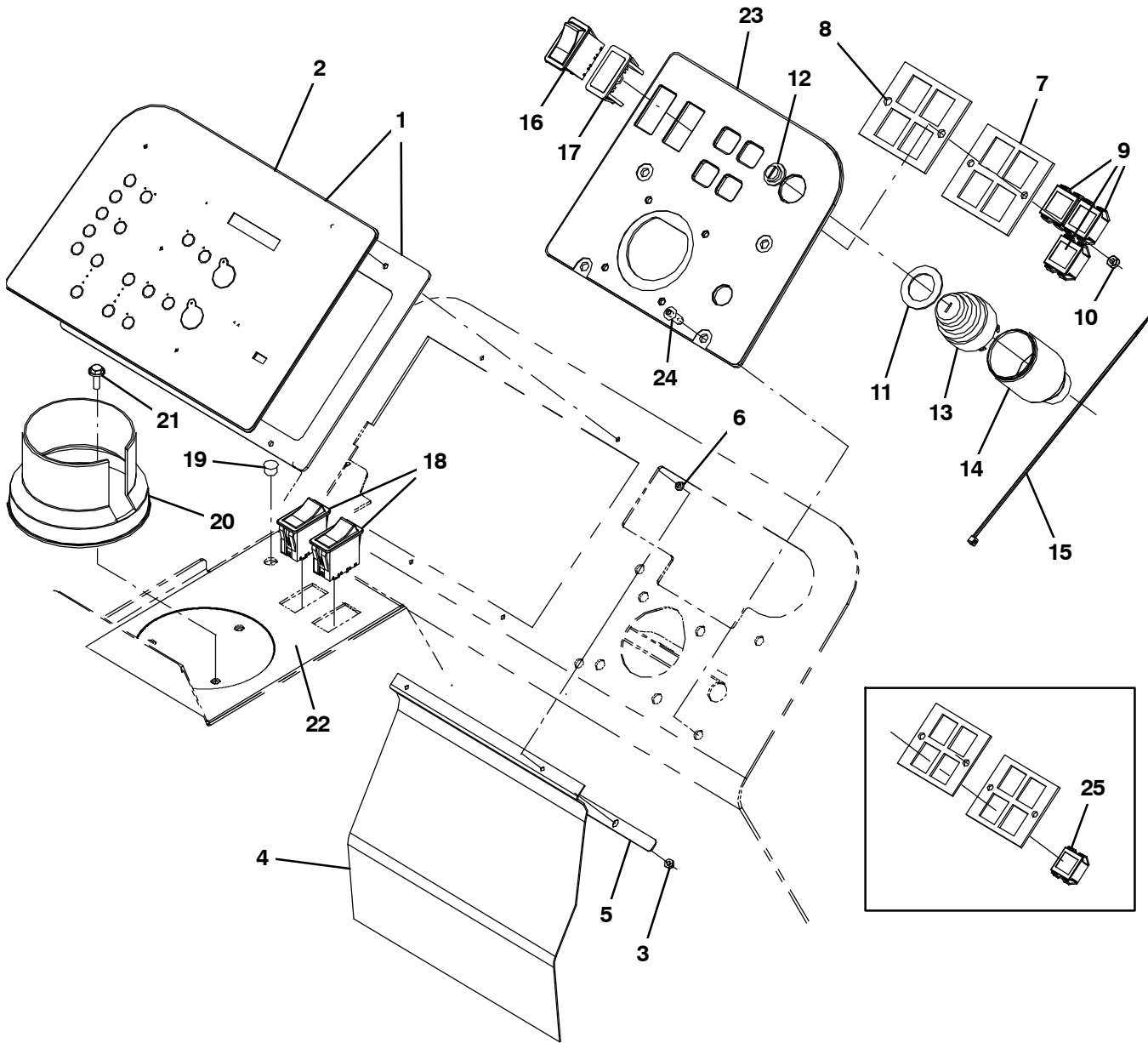




Fig. 6 - Instrument Panel Group, Diesel

Ref.	Part No.	Serial Number	Description	Qty.
▽	1	9003453	(000000- ) Panel Kit, Instmt, Repair [M20/M30]	1
▲	2	9002435	(000000- ) Label Kit, Panel, Replmt [M20]	1
	3	16968	(000000- ) Nut, Hex, Lock, #08-32, NI	4
	4	1028769	(000000- ) Flap, Battery	1
	5	1028772	(000000- ) Bar, Flat, Ss, .06 X .50 X 10.0l 2/.19sl	1
	6	1029362	(000000- ) Washer, Shld, Nyl [8-32]	4
	7	361071	(000000- ) Plate, Mtg, Light	1
	8	361073	(000000- ) Seal, Rbr, Clsd, 0.13, Instmt Panl	1
	9	361075	(000000- ) Light, Panl, 14vdc, , 1.1 X 1.0	3
	10	08712	(000000- ) Nut, Hex, Lock, M6 X 1.0, Ss, NI	2
	11	73736	(000000- ) Washer, Flat, 1.15b 1.75d .08, Stl	1
	12	382516	(000000- ) Boot, .63id .29l .90w	1
▽	13	87536	(000000- ) Switch, Ignition [Ku]	1
▲		87866	(000000- ) Key, Ignition [Set Of 2]	1
	14	383165	(000000- ) Boot, Switch, Ignition	1
	15	49266	(000000- ) Tie, Cable, Nyl, 07.3l .19w 1.8 Max D	2
	16	392171	(000000- ) Switch, Rocker, Dpdt On/Off/On	1
	17	398501	(000000- ) Plug, Hole, Rt, Rocker Switch, .87 X 1.7	1
	18	398508	(000000- ) Switch, Rocker, Dpdt Mom/Off/Mom	2
	19	56992	(000000- ) Plug, Hole, Rnd, 0.50h .03-.12, Blk Nyl	1
	20	223599	(000000- ) Cup Holder, Rwk	1
	21	1036892	(000000- ) Screw, Hex, M6 X 1.00 X 25, 9.8 Sems	3
1024287	22	<del>1027284</del>	(000000- ) Label, Switch, Rocker [T20] - M20	1
	23	9004881	(000000- ) Panel, Instmt, Rh, Dsl, Replmt	1
	24	1031665	(000000- ) Screw, Pan, M8 X 1.25 X 25, Blk	4
	25	361075	(000000-002886 ) Light, Panl, 14vdc, , 1.1 X 1.0	1

Fig. 7 - Seat Group

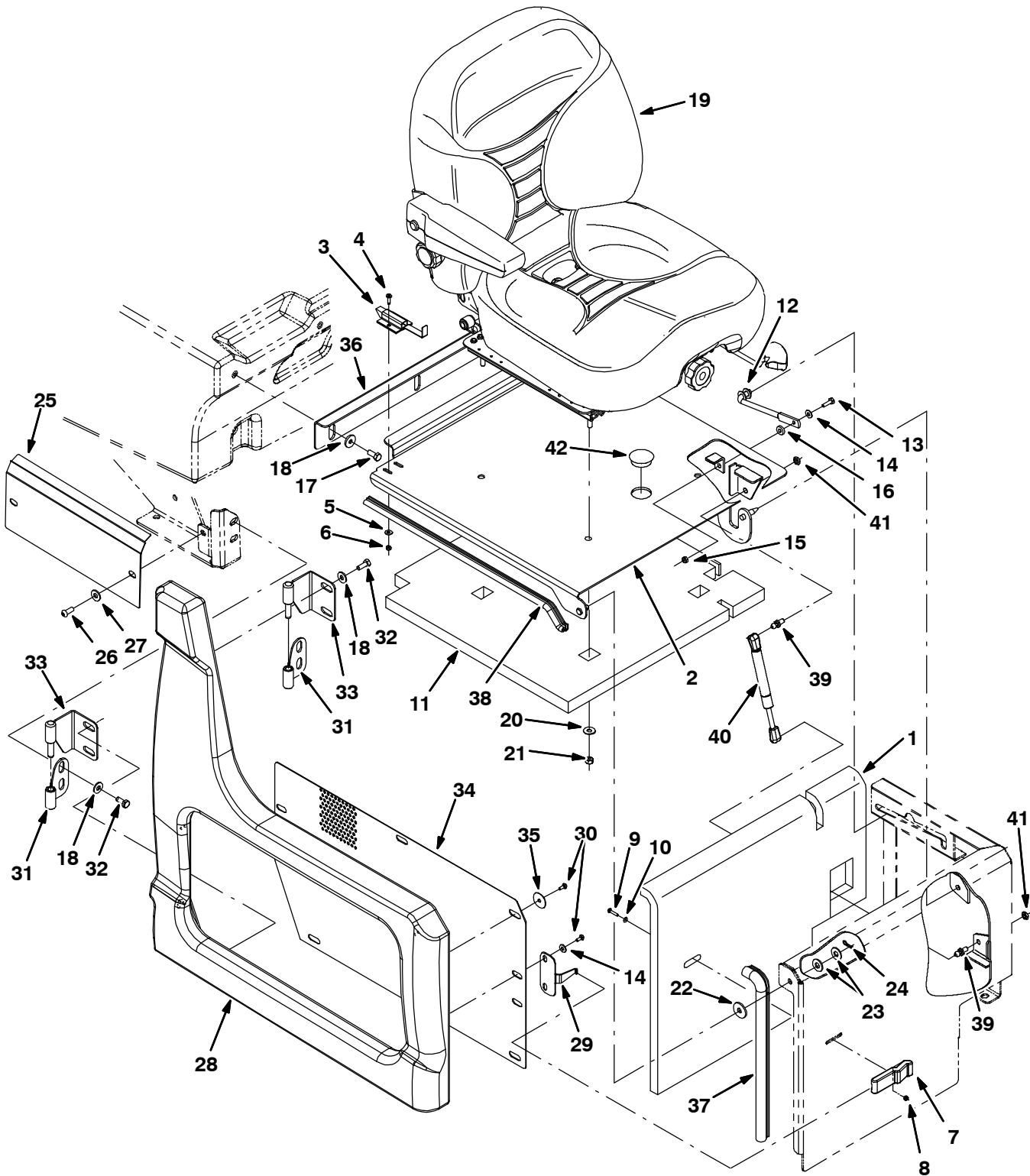


Fig. 7 - Seat Group

Ref.	Part No.	Serial Number	Description	Qty.
1	1034767	(000000-	) Insulation, Flame-retardant, 0.75-0.88	1
2	1019228	(000000-	) Plate Wldt, Seat	1
3	1025736	(000000-	) Latch	1
4	09252	(000000-	) Screw, Hex, M5 X 0.8 X 20, 8.8	2
5	19066	(000000-	) Washer, Flat, #10	2
6	06549	(000000-	) Nut, Hex, Lock, M5 X 0.8, NI	2
7	49800	(000000-	) Latch	1
8	02850	(000000-	) Nut, Hex, Lock, M4 X 0.7, NI	4
9	06929	(000000-	) Screw, Pan, M4 X 0.7 X 25, 4.8	4
10	19065	(000000-	) Washer, Flat, #08	2
11	1023499	(000000-	) Insulation, Flame-Retardant, 1.0	1
12	223080	(000000-	) Arm Wldt, Safety, Sppt, Seat, .38d 06.5d	1
13	06943	(000000-	) Screw, Hex, M6 X 1.0 X 20, 8.8	1
14	32483	(000000-	) Washer, Flat, 0.25 Sae	9
15	08708	(000000-	) Nut, Hex, Lock, M6 X 1.0, NI	1
16	21851	(000000-	) Spacer, Plstc, Ny	1
17	09740	(000000-	) Screw, Hex, M8 X 1.25 X 20, Ss	3
18	1017218	(000000-	) Washer, Flat, 0.32b 1.00d .12, Ss	11
19	1022105	(000000-	) Seat, Suspension, W/1 Arm And Belt	1
20	32491	(000000-	) Washer, Flat, 0.31, Std	4
21	32983	(000000-	) Nut, Hex, Lock, .31-18, NI	4
22	364749	(000000-	) Washer, Flat, 0.41b 1.25d .12, Pye	1
23	32492	(000000-	) Washer, Flat, 0.38 Std	2
24	08085	(000000-	) Pin, Cotter, Hair, 0.31d .058 Wir	1
25	1022005	(000000-	) Cover, Lower	1
26	1031665	(000000-	) Screw, Pan, M8 X 1.25 X 25, Blk	2
27	39349	(000000-	) Washer, Flat, 0.31 Sae	2
28	1018776	(000000-	) Shroud, Seat	1
29	1026825	(000000-	) Bracket, Latch, Shrd, Seat	1
30	09200	(000000-	) Screw, Pan, M5 X 0.8 X 12, Ss	8
31	1024464	(000000-	) Hinge Wldt, Shrd, Rh	2
32	16931	(000000-	) Screw, Hex, M8 X 1.25 X 20, 8.8	8
33	1024425	(000000-	) Hinge Wldt, Shrd, Rh	2
34	1025916	(000000-	) Grill, Side	1
35	41178	(000000-	) Washer, Flat, 0.25 Fendr	6
36	1020487	(000000-	) Bracket, Seat, Adj	1
37	1030588	(000000-	) Seal, Afmkt, Bulb, 90, 0.75d F/11ga 02ft	1
38	1031206	(000000-	) Seal, Afmkt, Bulb, 90, 0.50d, 02ft	1
39	58494	(001299-	) Stud, Ball, .39d .31-16, Gasspring	2
40	368391	(001299-	) Gasspring, 180lb, 03.0strk	1
41	01760	(001299-	) Nut, Hex, Lock, .31-18, NI, Thin	2
42	76888	(002886-	) Plug, Hole, Rnd, 1.25H .03-.12, Blk Nyl	1

Fig. 8 - Steering Group

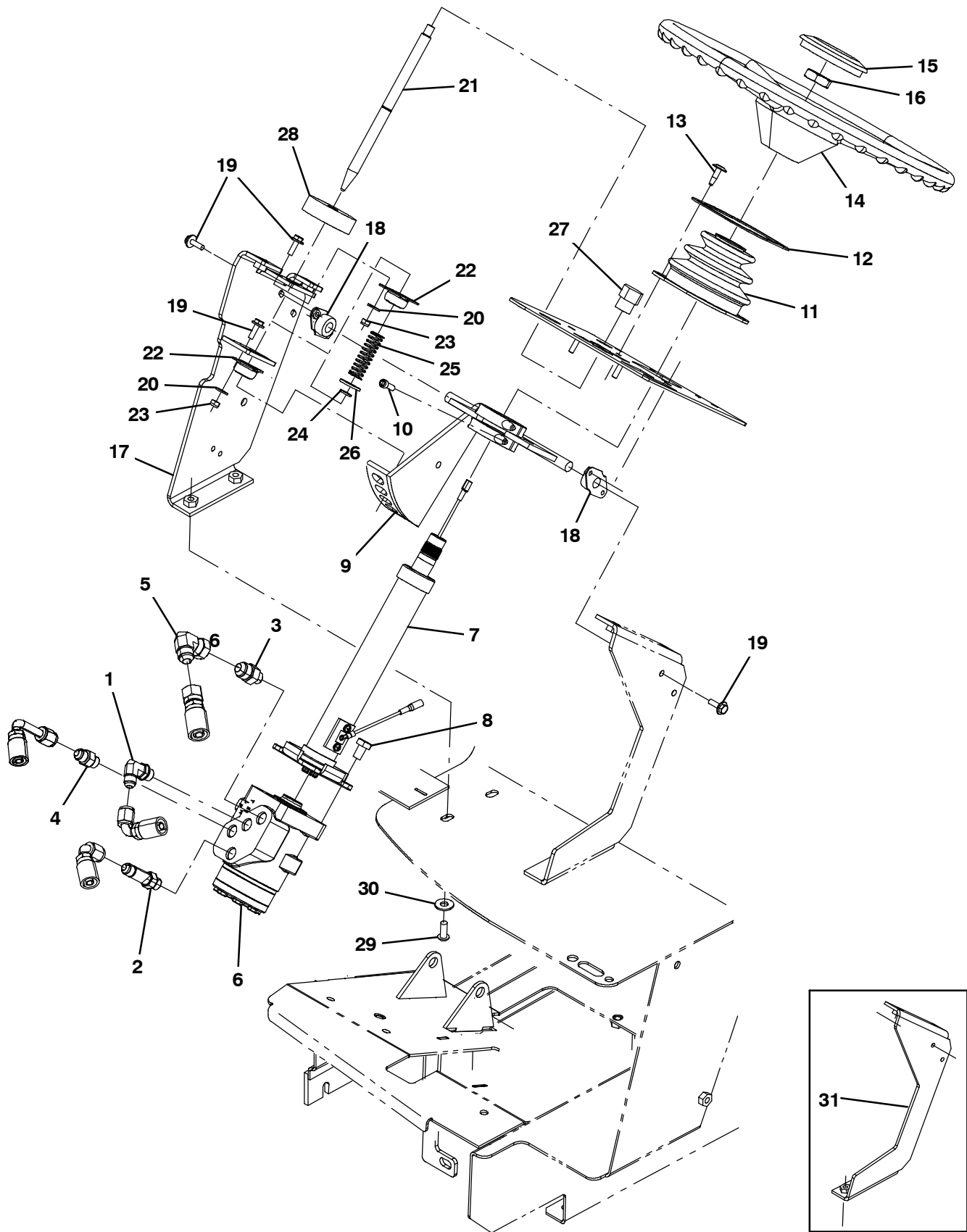


Fig. 8 - Steering Group

Ref.	Part No.	Serial Number	Description	Qty.	
1	56820	(000000-	) Fitting, Hyd, E90, Jm06/Om06	1	
2	59577	(000000-	) Fitting, Hyd, Str, Jm06/Om06, L	1	
3	56835	(000000-	) Fitting, Hyd, Str, Jm08/Om06	1	
4	56690	(000000-	) Fitting, Hyd, Str, Jm06/Om06	1	
5	17980	(000000-	) Fitting, Hyd, E90, Jf08/Jm08	1	
6	1024260	(000000-	) Steer-Control, Hyd#05, 06.1 2030 (See Breakdown)	1	
7	1021265	(000000-	) Column, Steering, 09.9l 0.86d 36tooth	1	
8	06960	(000000-	) Screw, Hex, M10 X 1.5 X 16, 8.8	4	
▽	9	73027	(000000-	) Bracket Wldt, Steering, Tilt	1
▲	10	01681	(000000-	) Screw, Soc, .25-20 X 0.75, Al	4
11	70622	(000000-	) Boot, Bellows, 3.1l 4.4w 2.8h 1hole, Neo	1	
12	70623	(000000-	) Retainer, Boot, Steering Column	1	
13	72970	(000000-	) Rivet, Plstc, .250d X 0.898	4	
14	768481	(000000-	) Wheel, Steering, 14.3d 0.81b 36tooth	1	
15	1024478	(000000-	) Button, Cntrl, Horn	1	
16	56185	(000000-	) Nut, Hex, Jam, M20 X 1.5	1	
17	1024695	(000000-	) Bracket Wldt, Tilt, Rh	1	
18	70709	(000000-	) Bearing, Flng, 2-Hole, 0.50b	2	
19	1040467	(000000-	) Screw, Hex, M6 X 1.00 X 20, 9.8, Sems	8	
20	32483	(000000-	) Washer, Flat, 0.25 Sae	4	
21	1023926	(000000-	) Pin, Locking, Steering, Tilt	1	
22	47585	(000000-	) Bearing, Flng, 2hole, 0.50b [Nyl]	2	
23	08708	(000000-	) Nut, Hex, Lock, M6 X 1.0, NI	4	
24	70717	(000000-	) Ring, Retaining, Ext, 0.50d, Hd	1	
25	22290	(000000-	) Spring, Cmpr, 18.8d, 1.6w, 57.1l	1	
26	32486	(000000-	) Washer, Flat, 0.50 Sae	1	
27	04706	(000000-	) Knob, Tee, 2.5x1.0 1.1l 0.38-16 Plstc	1	
28	75968	(000000-	) Insulation, Acstc, Rnd, 0.8, 02.5d 0.5h	1	
29	1031665	(000000-	) Screw, Pan, M8 X 1.25 X 25, Blk	2	
30	32491	(000000-	) Washer, Flat, 0.31, Std	2	
31	1024157	(000000-001052 )	Bracket, Tilt, Lh	1	

**Fig. 9 - Front Cover Group**

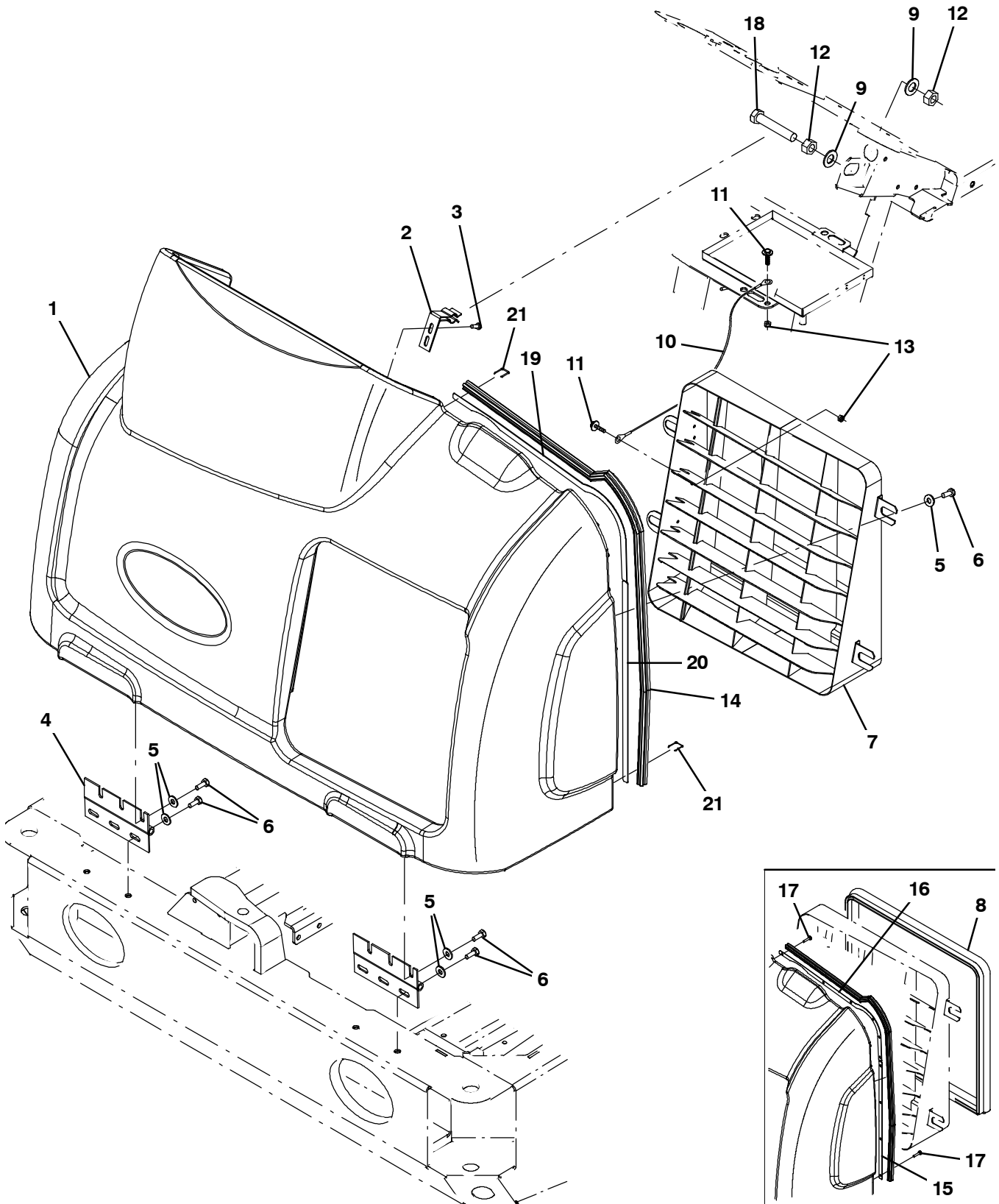


Fig. 9 - Front Cover Group

Ref.	Part No.	Serial Number	Description	Qty.
1	1022069	(000000-	) Shroud, Front, Trimmed	1
2	1008916	(000000-	) Bracket Wldt, Latch	1
3	06942	(000000-	) Screw, Hex, M6 X 1.0 X 16, 8.8	2
4	71941	(000000-	) Hinge, .38pin .11 3.5w 06.0l 6/0.38sl	2
5	32491	(000000-	) Washer, Flat, 0.31, Std	14
6	16931	(000000-	) Screw, Hex, M8 X 1.25 X 20, 8.8	14
7	1035068	(000000-	) Grill Wldt, Front	1
8	1031557	(000000-001277	) Seal, Afmkt, Bulb, Str, 1.0d F/11ga 08ft	1
9	15331	(000000-	) Washer, Flat, 0.62 Sae	2
10	391368	(000000-	) Cable, Glv .09d 016.5l .38eye /.38eye	1
11	1040467	(000000-	) Screw, Hex, M6 X 1.00 X 20, 9.8, Sems	2
12	07782	(000000-	) Nut, Hex, Std, M16 X 2.0	2
13	08708	(000000-	) Nut, Hex, Lock, M6 X 1.0, NI	2
14	1031543	(000000-	) Seal, Afmkt, Sponge, 0.88 1.00w 08ft	1
15	1029652	(000000-002064	) Plate, Mtg, Seal	1
16	1029545	(000000-002064	) Plate, Mtg, Seal	1
17	20394	(000000-002064	) Screw, Hex, #10-16 X 0.62, Fmg, [Ab]	10
18	06988	(000000-	) Screw, Hex, M16 X 2.0 X 90, 8.8	1
19	1037970	(002065-	) Strip Mtg, Seal	1
20	1037971	(002065-	) Strip Mtg, Seal	1
21	1037972	(002065-	) Fastener, 12.7Mm X 9.5Mm, Ss [Staple]	20

Fig. 10 - Engine Cover Group

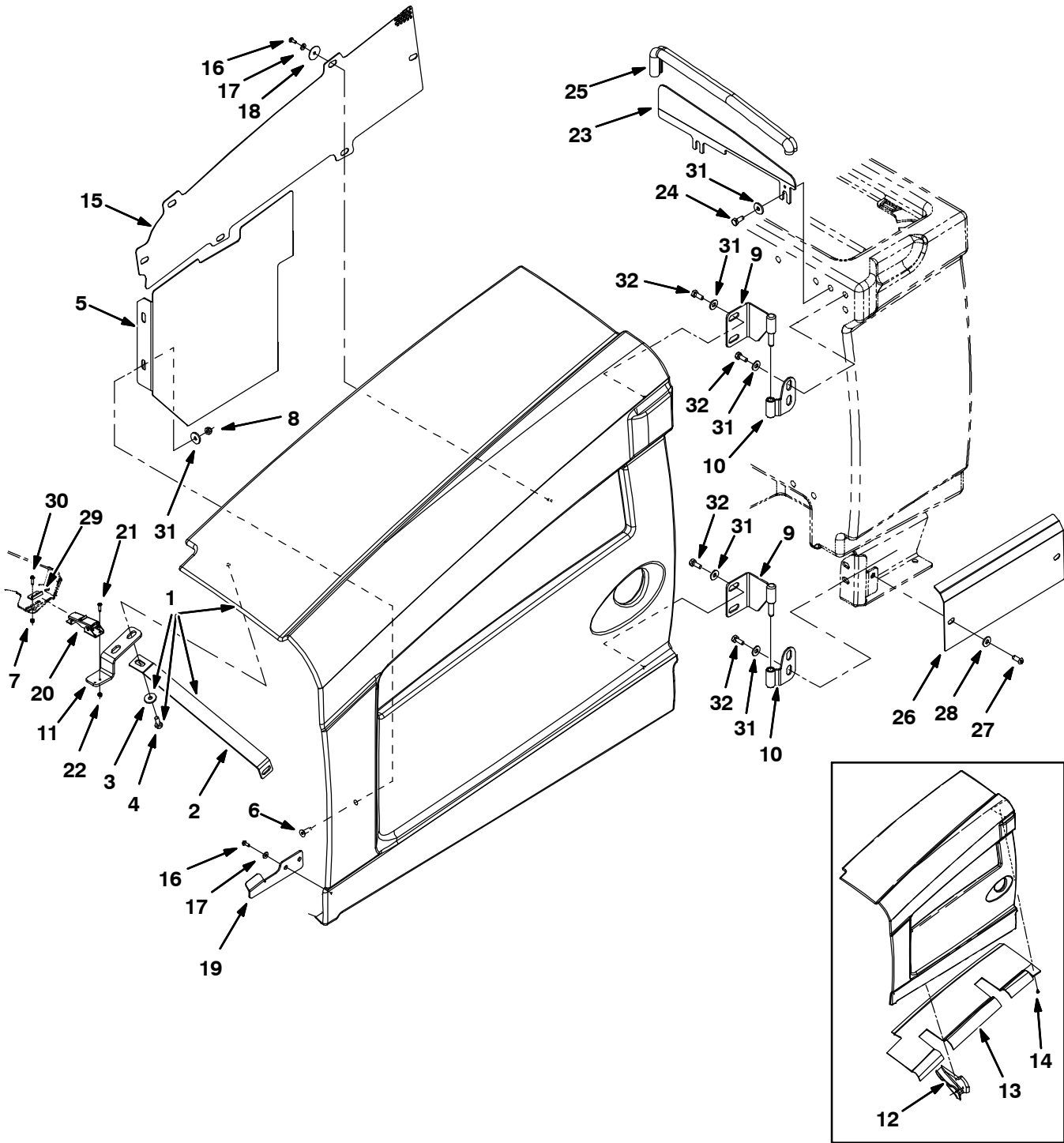




Fig. 10 - Engine Cover Group

Ref.	Part No.	Serial Number	Description	Qty.
▽	1	1033156	(000000- ) Shroud Assy, Eng	1
▲	2	1026628	(000000- ) Angle, Brace, Shrd	1
▲	3	1017218	(000000- ) Washer, Flat, 0.32b 1.00d .12, Ss	2
▲	4	16931	(000000- ) Screw, Hex, M8 X 1.25 X 20, 8.8	2
	5	1022004	(000000- ) Bracket, Shield, Heat	1
	6	74077	(000000- ) Screw, Flt, M8 X 1.25 X 25	4
	7	33932	(000000- ) Nut, Hex, Lock, M4 X 0.7, NI, Ss	2
	8	08709	(000000- ) Nut, Hex, Lock, M8 X 1.25, NI	4
	9	1024500	(000000- ) Hinge Wldt, Shrd, Lh	2
	10	1025196	(000000- ) Hinge Wldt, Shrd, Lh	2
	11	1020186	(000000- ) Bracket, Latch, Cover	1
	12	1028516	(000000-001327 ) Insulation, Shrd, Eng, Gusset	1
	13	1026665	(000000-001327 ) Insulation, Flame-Retardant, 0.5	1
	14	21168	(000000-001327 ) Clip, .250h, Plstc [Pine-Tree]	14
	15	1026726	(000000- ) Grill, Eng	1
	16	09200	(000000- ) Screw, Pan, M5 X 0.8 X 12, Ss	8
	17	19066	(000000- ) Washer, Flat, #10	8
	18	41178	(000000- ) Washer, Flat, 0.25 Fendr	6
	19	1028412	(000000- ) Bracket, Guide, Shrd	1
	20	384418	(000000- ) Latch, Door [Southco 91-562-07]	1
	21	06927	(000000- ) Screw, Pan, M4 X 0.7 X 16, 4.8	2
	22	02850	(000000- ) Nut, Hex, Lock, M4 X 0.7, NI	2
	23	1025806	(000000- ) Plate, Seal, Sound	1
	24	09740	(000000- ) Screw, Hex, M8 X 1.25 X 20, Ss	2
	25	1030588	(000000- ) Seal, Afrmkt, Bulb, 90, 0.75d F/11ga 02ft	2
	26	1022005	(000000- ) Cover, Lower	1
	27	1031665	(000000- ) Screw, Pan, M8 X 1.25 X 25, Blk	2
	28	39349	(000000- ) Washer, Flat, 0.31 Sae	2
	29	384419	(000000- ) Bracket, Latch, Keeper [Southco]	1
	30	24265	(000000- ) Screw, Pan, M4 X 0.7 X 16, Ss	2
	31	1017218	(000000- ) Washer, Flat, 0.32b 1.00d .12, Ss	15
	32	16931	(000000- ) Screw, Hex, M8 X 1.25 X 20, 8.8	7

**Fig. 11 - Engine and Mount Group, Diesel**

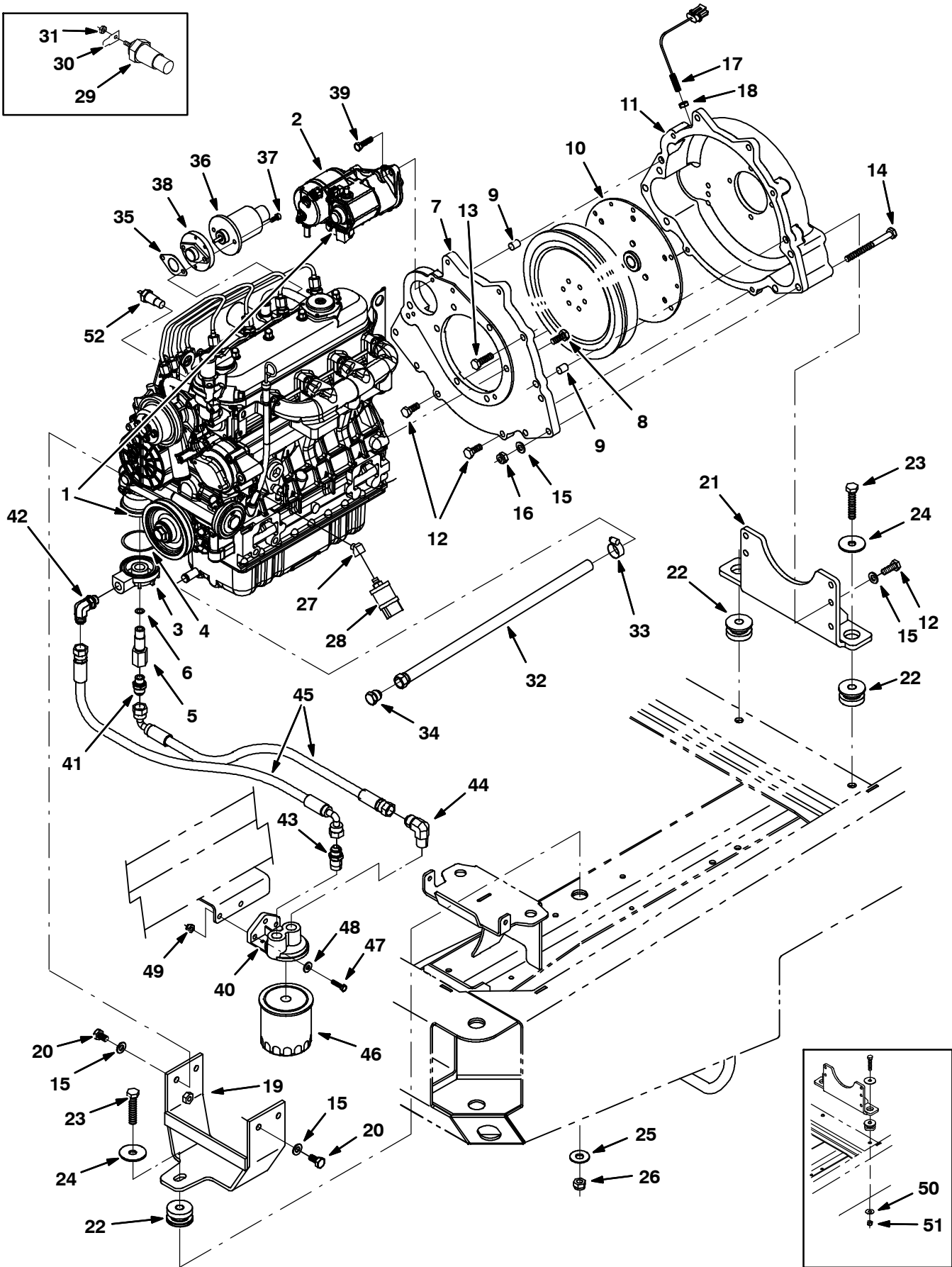


Fig. 11 - Engine and Mount Group, Diesel

Ref.	Part No.	Serial Number	Description	Qty.
▽	1	1040096	( 002594- ) Engine Assy, Dsl, 37Hp [Ku V1505] (See Engine Breakdown)	1
▲	2	74405	( 002594- ) Motor, Starter, 12vdc [Kubota] (See Engine Breakdown)	1
▽	1	1027591	(000000-002593 ) Engine Assy, Dsl, 37hp [Ku] (See Engine Breakdown)	1
▲	2	74405	(000000-002593 ) Motor, Starter, 12vdc [Kubota] (See Engine Breakdown)	1
	3	368056	(000000- ) Base, Fltr, Oil [Ku]	1
	4	70907	(000000- ) Seal, Org	1
	5	368059	(000000- ) Pipe, Fltr, Oil [Ku]	1
	6	70911	(000000- ) Seal, Org	1
	7	55837	(000000- ) Housing, Flywheel, Mach [1505, Kubo]	1
	8	07299	(000000- ) Screw, Hex, M10 X 1.25 X 25, 8.8	6
	9	54911-16	(000000- ) Pin, Dowel, Cyl Block [1pk=4]	2
	10	19252	(000000- ) Coupling, Drive, Flex, 09.5d / 13tooth	1
	11	58566	(000000- ) Housing, Flywheel, Mach [1505, Kubo]	1
	12	39283	(000000- ) Screw, Hex, M10 X 1.5 X 25, 8.8	6
	13	39284	(000000- ) Screw, Hex, M10 X 1.5 X 35, 8.8	2
	14	06966	(000000- ) Screw, Hex, M10 X 1.5 X 110, 8.8	5
	15	32485	(000000- ) Washer, Flat, 0.38, Sae	13
	16	41430	(000000- ) Nut, Hex, Lock, M10 X 1.5, NI	5
	17	380521	(000000- ) Magnet, Pickup	1
	18	20171	(000000- ) Nut, Hex, Jam, .38-24	1
	19	1023282	(000000- ) Bracket Wldt, Mtg, Eng, Front, Dsl	1
	20	58286	(000000- ) Screw, Hex, M10 X 1.25 X 20, 8.8	4
	21	1023074	(000000- ) Bracket Wldt, Mtg, Eng, Rear, Dsl	1
	22	51176	(000000- ) Isolator, Vib, .50d	3
	23	06972	(000000- ) Screw, Hex, M12 X 1.75 X 60, 8.8	3
	24	04414	(000000- ) Washer, Flat, 0.53b 1.88d .12, Stl, PI	3
	25	32493	(000000- ) Washer, Flat, 0.50, Std	1
	26	08711	(000000- ) Nut, Hex, Lock, M12 X 1.75,NI	1
	27	24976	(000000- ) Fitting, Brs, E45, Pf02/Pm02	1
	28	79399	(000000- ) Switch, Press, Dpdt 0006psi	1
	29	1050757	(000000-002849 ) Switch, Thermostat, Water	1
	30	68106	(000000-002849 ) Terminal, Tab, .25 .19h .84l	1
	31	19310	(000000-002849 ) Nut, Hex, Std, #08-32	1
	32	1027273	(000000- ) Hose, 0300, 08, Jf08str / None, 19.0	1
	33	63810	(000000- ) Clamp, Hose, Wormdrive, 0.56-1.06d, .56w	1
	34	16376	(000000- ) Fitting, Hyd, Plug, Jm08	1
	35	70165	(000000- ) Gasket, Solenoid, Throttle [Ku]	1
	36	71385	(000000- ) Actuator, Govnr, Dsl	1
	37	71388	(000000- ) Screw, Soc, M6 X 1.00 X 16, 12.9	4
	38	393401	(000000- ) Adapter, Actuator, Govnr, Eng, Dsl	1
	39	76570	(000000- ) Screw, Hex, M8 X 1.25 X 30, 8.8	2
	40	364972	(000000- ) Bracket, Mtg, Fltr, Oil, Remote	1
	41	367591	(000000- ) Fitting, Hyd, Str, Spcl	1
	42	33595	(000000- ) Fitting, Hyd, E90, Jm08/Om16 Metric	1
	43	15687	(000000- ) Fitting, Hyd, Str, Jm08/Pm08	1
	44	51869	(000000- ) Fitting, Hyd, E90, Jm08/Pm08	1
	45	59578	(000000- ) Hose, Hyd, Med08, Jf08e90/Jf08str, 032.0	2

## STANDARD PARTS

Fig. 11 - Engine and Mount Group, Diesel

Ref.	Part No.	Serial Number	Description	Qty.
46	39703-2	(000000-	) Element, Fitr, Oil, Spin-On	1
47	39277	(000000-	) Screw, Hex, M8 X 1.25 X 25, 8.8	2
48	32491	(000000-	) Washer, Flat, 0.31, Std	2
49	08709	(000000-	) Nut, Hex, Lock, M8 X 1.25, NI	2
50	32493	(000000-001337	) Washer, Flat, 0.50, Std	2
51	08711	(000000-001337	) Nut, Hex, Lock, M12 X 1.75,NI	3
52	1050757	(002849	) Switch, Thermostat, Water	1



Fig. 12 - Engine Fuel Tank Group, Diesel

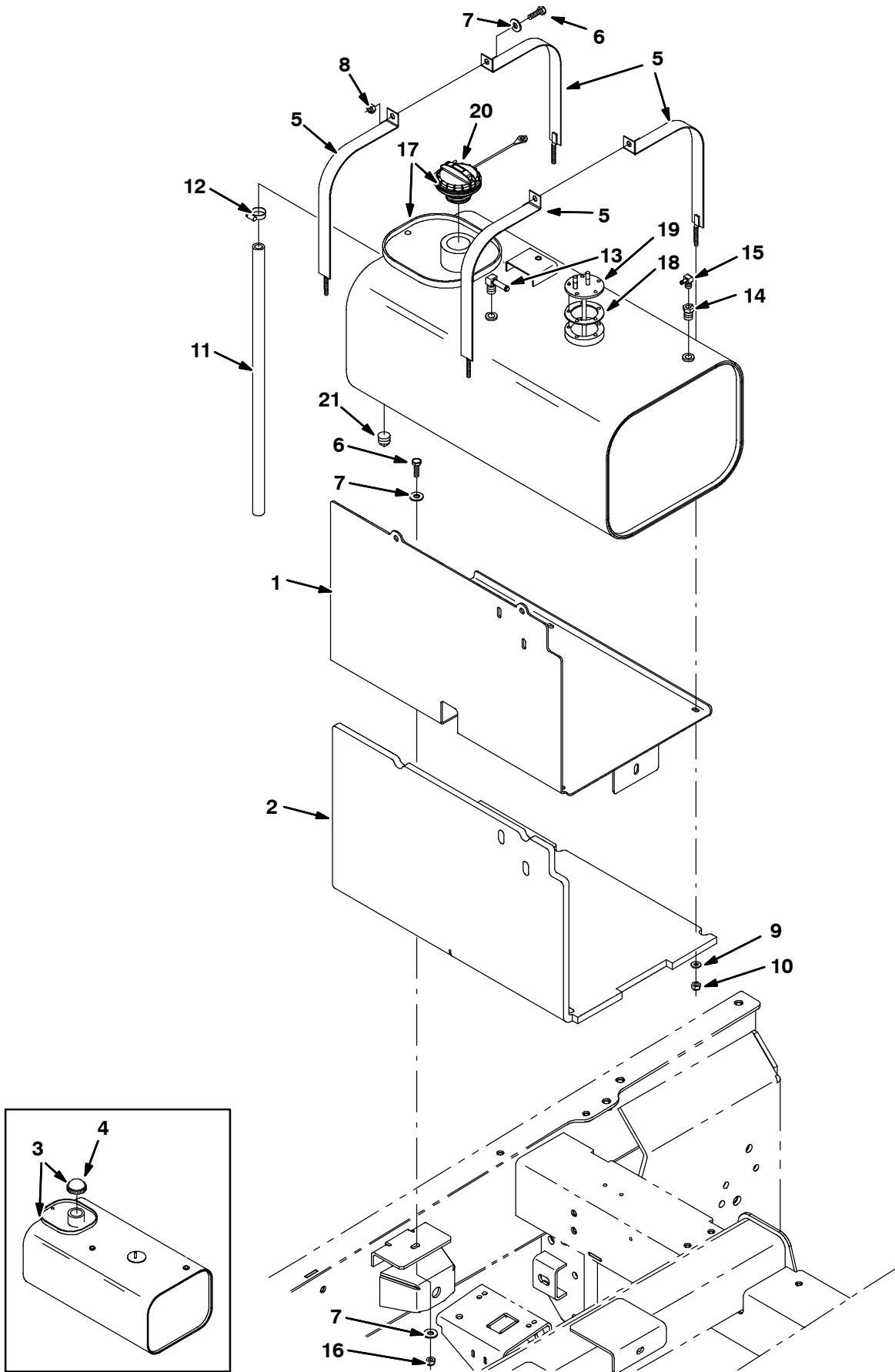


Fig. 12 - Engine Fuel Tank Group, Diesel

Ref.	Part No.	Serial Number	Description	Qty.
	1	1026550	(000000- ) Tray Wldt, Fuel	1
	2	1026759	(000000- ) Insulation, Flame-Retardant, 0.5	1
▽	3	9003611	(000000-001999 ) Tank, Fuel, 11.2gal [M20/T20]	1
▲	4	48267	(000000-001999 ) Cap, Tank, Fuel, 2.3neck 2.6d	1
▲		1039521	(000000-001999 ) Send-Unit, Fuel	1
	5	1025229	(000000- ) Strap, Tank, Gas	4
	6	39277	(000000- ) Screw, Hex, M8 X 1.25 X 25, 8.8	4
	7	32491	(000000- ) Washer, Flat, 0.31, Std	8
	8	08709	(000000- ) Nut, Hex, Lock, M8 X 1.25, NI	2
	9	32483	(000000- ) Washer, Flat, 0.25, Sae	4
	10	32981	(000000- ) Nut, Hex, Lock, .25-20, NI	4
	11	1023482	(000000- ) Hose, Fuel, 0.50id 21.0l	1
	12	54333	(000000- ) Clamp, Hose, Wormdrive, 0.31-0.88d, .31w	1
	13	9000355	(000000- ) Fitting, Brs, E90, Em05/Pm04	1
	14	17414	(000000- ) Fitting, Hyd, Str, Pf02/Pm04	1
	15	32183	(000000- ) Fitting, Brs, E90, Pm02/Bm03	1
	16	08709	(000000- ) Nut, Hex, Lock, M8 X 1.25, NI	4
▽	17	9003611	(002000-002593 ) Tank, Fuel, 11.2gal, Dsl, Replmt [2007]	1
▲	18	1033897	(002000-002593 ) Gasket, Sender, Fuel	1
▲	19	1033901	(002000-002593 ) Send-Unit, Fuel [2007]	1
▲	20	1032812	(002000-002593 ) Cap, Fuel, Tank	1
▲	21	48126	(002000-002593 ) Fitting, Pipe, Plug, Pm02, Sq Head	1
▽	17	9003934	(002594- ) Tank, Fuel, 11.2gal, Dsl, Replmt, Na[08]	1
▲	18	1033897	(002594- ) Gasket, Sender, Fuel	1
▲	19	1033901	(002594- ) Send-Unit, Fuel [2007]	1
▲	20	1032812	(002594- ) Cap, Fuel, Tank	1
▲	21	48126	(002594- ) Fitting, Pipe, Plug, Pm02, Sq Head	1
▽	17	9003958	(002594- ) Tank, Fuel, 11.2gal, Dsl, Replmt, Tj[08] (Japan Only)	1
▲	18	1033897	(002594- ) Gasket, Sender, Fuel	1
▲	19	1033901	(002594- ) Send-Unit, Fuel [2007]	1
▲	20	1032812	(002594- ) Cap, Fuel, Tank	1
▲	21	48126	(002594- ) Fitting, Pipe, Plug, Pm02, Sq Head	1

Fig. 13 - Engine Fuel Line Group, Diesel

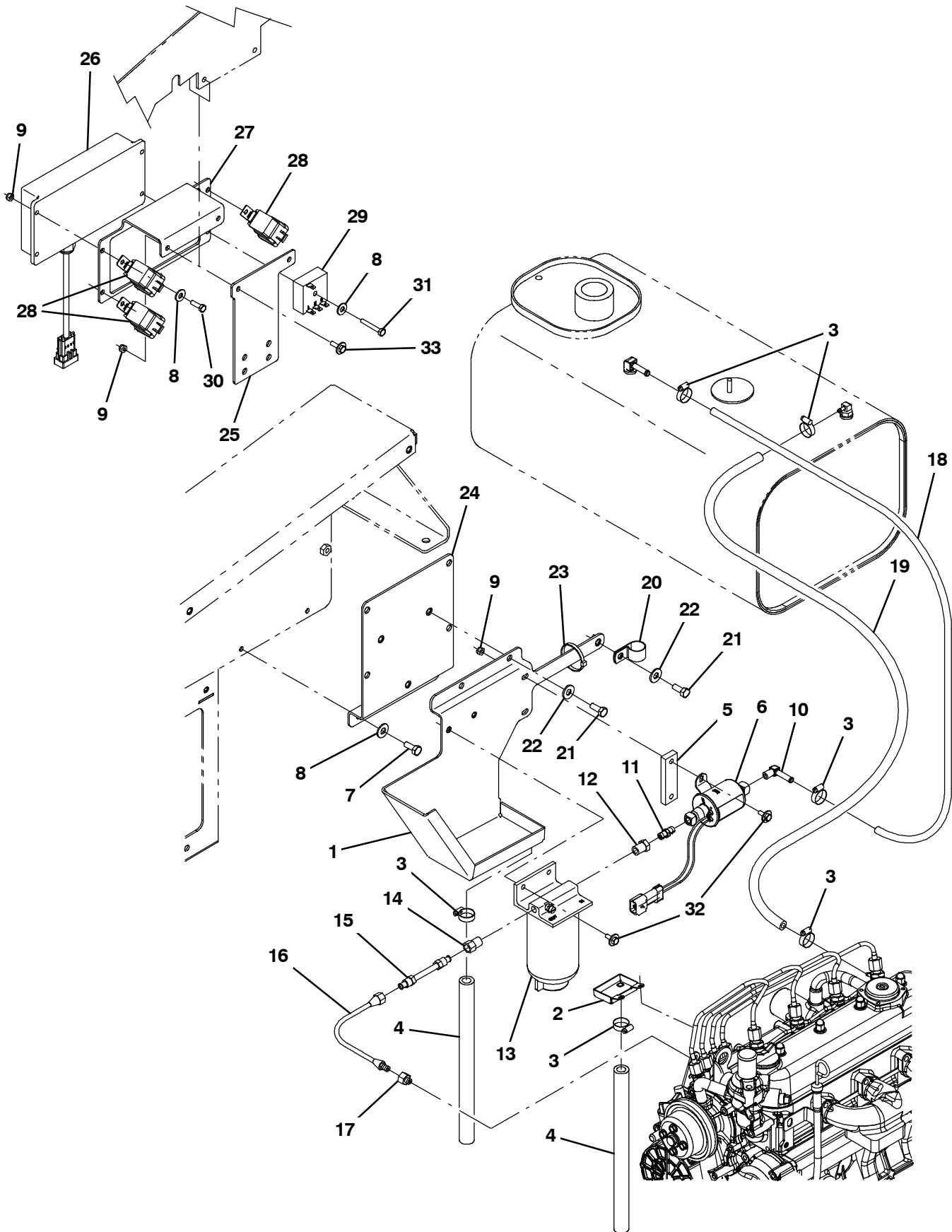




Fig. 13 - Engine Fuel Line Group, Diesel

Ref.	Part No.	Serial Number	Description	Qty.	
1	1032512	(000000-	) Tray Wldt, Drip, Dsl	1	
2	1032424	(000000-	) Tray Wldt, Drip, Fuel	1	
3	54333	(000000-	) Clamp, Hose, Wormdrive, 0.31-0.88d, .31w	6	
4	1006416	(000000-	) Hose, Afmkt, Pvc, Clr 0.38id 03ft	1	
5	364779	(000000-	) Bar, Flat, Stl 0.38, 01.00 X 03.3l	1	
6	59015	(000000-	) Pump, Fuel	1	
7	06942	(000000-	) Screw, Hex, M6 X 1.0 X 16, 8.8	2	
8	32490	(000000-	) Washer, Flat, 0.25, Std	6	
9	08708	(000000-	) Nut, Hex, Lock, M6 X 1.00, NI	10	
10	53029	(000000-	) Fitting, Brs, E90, Em05/Pm02	1	
11	47566	(000000-	) Fitting, Hyd, Str, Pm02/Pm02	1	
12	17414	(000000-	) Fitting, Hyd, Str, Pf02/Pm04	1	
▽	13	1016827	(000000-	) Filter Assy, Fuel, Dsl	1
▲		1017126	(000000-	) Element, Fltr, Fuel [Dn]	1
14	78043	(000000-	) Fitting, Brs, Str, lf05/Pm04	1	
15	1024380	(000000-	) Fuelline, .31d 04.0l 05if/05if, Stl	1	
16	70173	(000000-	) Hose, 0050, 04, lf05str / lm05str, 10.0	1	
17	365066	(000000-	) Fitting, Hyd, Str, Metric, Om10/lf05	1	
18	87738	(000000-	) Hose, Fuel, 0.18id 29.0l	1	
19	365190	(000000-	) Hose, Fuel, 0.31id 22.0l	1	
20	69234	(000000-	) Clamp, Cable, Stl, 1.00d X 0.75w, 1h	1	
21	16931	(000000-	) Screw, Hex, M8 X 1.25 X 20, 8.8	2	
22	32491	(000000-	) Washer, Flat, 0.31, Std	3	
23	49266	(000000-	) Tie, Cable, Nyl, 07.3l .19w 1.8 Max D	2	
24	1018939	(000000-	) Bracket, Mtg [Ecu]	1	
25	1031012	(000000-	) Bracket, Mtg, Coolant Tank	1	
26	1040835	(000000-	) Control, Govnr [All Purpose]	1	
27	1027922	(000000-	) Bracket, Mtg, Govnr Control, Dsl	1	
28	56186	(000000-	) Relay, 12vdc, 40a, Spdt N/O	3	
29	379656	(000000-	) Timer, 12vdc, 10 Sec	1	
30	06943	(000000-	) Screw, Hex, M6 X 1.0 X 20, 8.8	3	
31	06947	(000000-	) Screw, Hex, M6 X 1.0 X 40, 8.8	1	
32	1040467	(000000-	) Screw, Hex, M6 X 1.00 X 20, 9.8, Sems	4	
33	1036892	(000000-	) Screw, Hex, M6 X 1.00 X 25, 9.8, Sems	2	

Fig. 14 - Engine Air Cleaner Group, Diesel

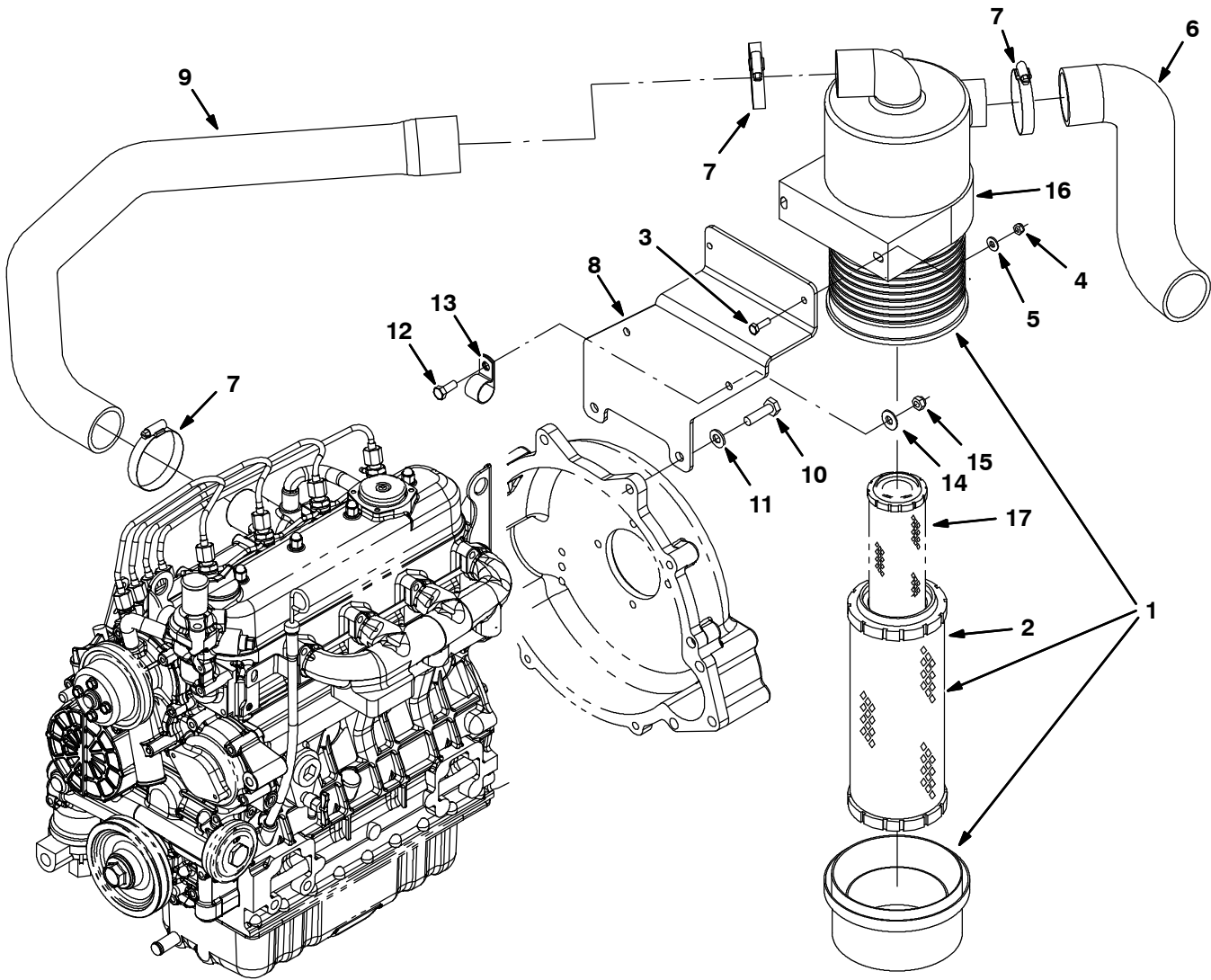


Fig. 14 - Engine Air Cleaner Group, Diesel

	Ref.	Part No.	Serial Number	Description	Qty.
▽	1	369745	(000000-	) Filter Assy, Air	1
▲	2	369746	(000000-	) Element, Fltr, Air [Dn]	1
	3	06943	(000000-	) Screw, Hex, M6 X 1.0 X 20, 8.8	2
	4	08708	(000000-	) Nut, Hex, Lock, M6 X 1.00, NI	2
	5	32483	(000000-	) Washer, Flat, 0.25, Sae	2
	6	1020949	(000000-	) Hose, Intake, Mold, 2.00id [Epdm]	1
	7	14432	(000000-	) Clamp, Hose, Wormdrive, 1.81-2.75d, .50w	3
	8	1024772	(000000-	) Bracket, Mtg, Air Fltr, Dsl	1
	9	1023892	(000000-	) Hose, Intake, Mold, 1.75id 1.75id Dsl	1
	10	39284	(000000-	) Screw, Hex, M10 X 1.5 X 35, 8.8	2
	11	32485	(000000-	) Washer, Flat, 0.38, Sae	2
	12	09740	(000000-	) Screw, Hex, M8 X 1.25 X 20, Ss	1
	13	69234	(000000-	) Clamp, Cable, Stl, 1.00d X 0.75w, 1h	1
	14	01685	(000000-	) Washer, Flat, 0.31, Ss	1
	15	08713	(000000-	) Nut, Hex, Lock, M8 X 1.25, NI, Ss	1
	16	369747	(000000-	) Clamp, Mtg, Fltr, Air	1
	17	398279	(000000-	) Element, Fltr, Air, Safety (Option)	1

# STANDARD PARTS

Fig. 15 - Engine Alternator Group, Diesel (000000-002547)

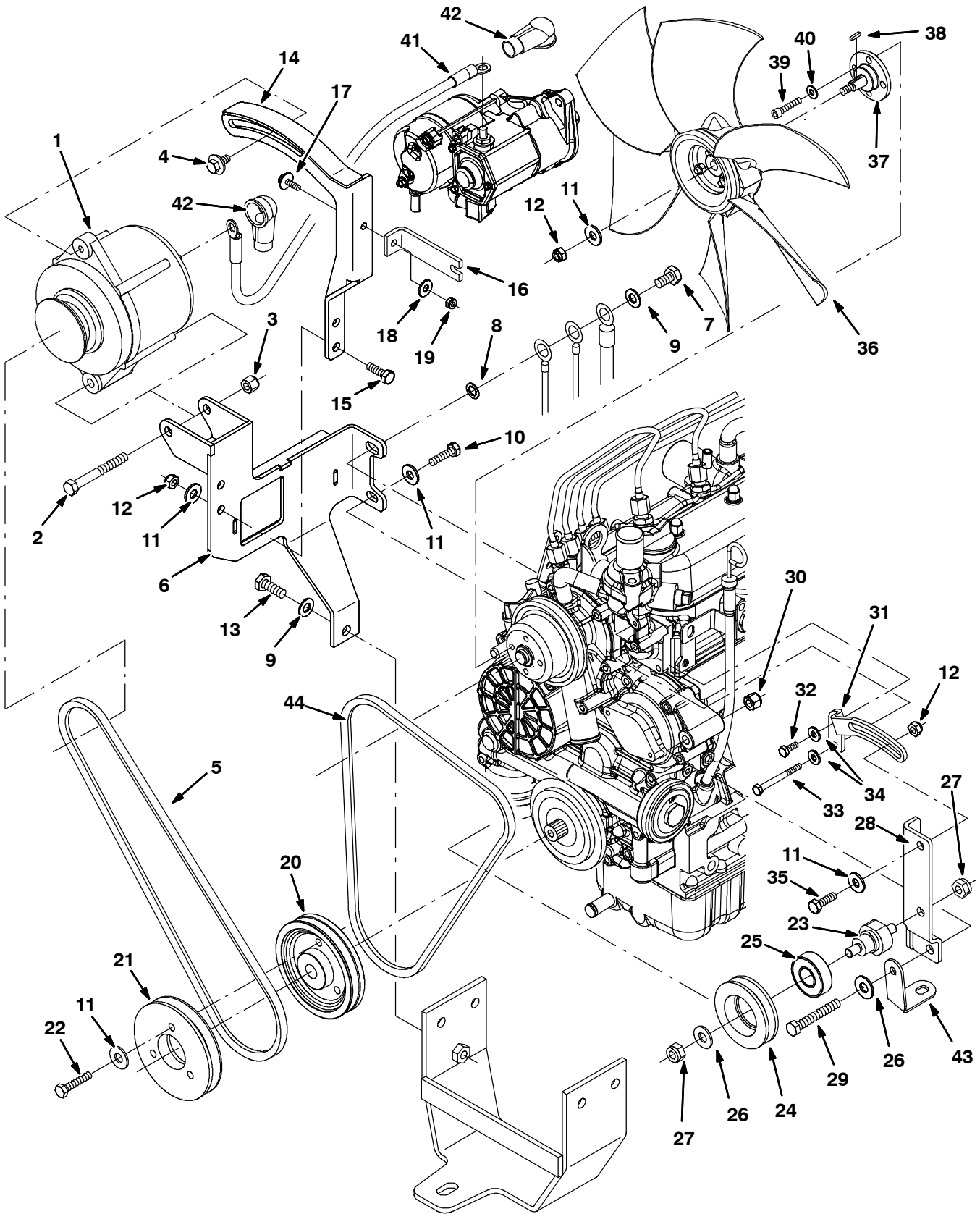


Fig. 15 - Engine Alternator Group, Diesel (000000-002547)

Ref.	Part No.	Serial Number	Description	Qty.
1	392611	(000000-002547 )	Alternator, 12vdc, 075a [Valeo]	1
2	35707	(000000-002547 )	Screw, Hex, .38-16 X 3.00, G5	1
3	59156	(000000-002547 )	Nut, Hex, Lock, .38-16, NI, Ss	1
4	16953	(000000-002547 )	Screw, Hex, .31-18 X 0.75, Sems	1
5	1023911	(000000-002547 )	Belt, V, 37.5l [3v]	1
6	1023943	(000000-002547 )	Bracket Wldt, Mtg, Alternator, Dsl	1
7	33612	(000000-002547 )	Screw, Hex, M10 X 1.25 X 35, 8.8	1
8	32988	(000000-002547 )	Washer, Lock, Int, 0.38	1
9	32485	(000000-002547 )	Washer, Flat, 0.38, Sae	2
10	76570	(000000-002547 )	Screw, Hex, M8 X 1.25 X 30, 8.8	1
11	32491	(000000-002547 )	Washer, Flat, 0.31, Std	7
12	08709	(000000-002547 )	Nut, Hex, Lock, M8 X 1.25, NI	3
13	39283	(000000-002547 )	Screw, Hex, M10 X 1.5 X 25, 8.8	1
14	1028667	(000000-002547 )	Arm Wldt, Alternator, Dsl	1
15	39277	(000000-002547 )	Screw, Hex, M8 X 1.25 X 25, 8.8	2
16	1028420	(000000-002547 )	Bracket, Sppt, Alternator, Dsl	1
17	06943	(000000-002547 )	Screw, Hex, M6 X 1.0 X 20, 8.8	1
18	32490	(000000-002547 )	Washer, Flat, 0.25, Std	1
19	08708	(000000-002547 )	Nut, Hex, Lock, M6 X 1.00, NI	1
20	393371	(000000-002547 )	Sheave, 01grv, Rwk 393400 [3v]	1
21	393370	(000000-002547 )	Sheave, 01grv, 04.1pd 1.6b [XI]	1
22	76957	(000000-002547 )	Screw, Hex, .31-18 X 1.50, G5	3
23	1024213	(000000-002547 )	Shaft, Mtg, Sheave, Dsl	1
24	1024211	(000000-002547 )	Sheave, 01grv, 02.6pd 0.63b [Hc41]	1
25	46390	(000000-002547 )	Bearing, Ball, 0.79b 1.85d 0.55w	1
26	32492	(000000-002547 )	Washer, Flat, 0.38, Std	2
27	41430	(000000-002547 )	Nut, Hex, Lock, M10 X 1.5, NI	2
28	1024206	(000000-002547 )	Bracket, Mtg, Sheave, Dsl	1
29	35707	(000000-002547 )	Screw, Hex, .38-16 X 3.00, G5	1
30	50902	(000000-002547 )	Nut, Hex, Lock, .38-16, NI	1
31	1024264	(000000-002547 )	Arm, Alternator, Dsl	1
32	06942	(000000-002547 )	Screw, Hex, M6 X 1.0 X 16, 8.8	1
33	06548	(000000-002547 )	Screw, Hex, M6 X 1.0 X 60, 8.8	1
34	32483	(000000-002547 )	Washer, Flat, 0.25, Sae	4
35	39277	(000000-002547 )	Screw, Hex, M8 X 1.25 X 25, 8.8	1
36	1031566	(000000-002547 )	Fan, Cooling, 14.1d, 6 Blade, 0.5b Taper	1
37	1035341	(000000-002547 )	Spacer, Fan, Dsl [M20/T20]	1
38	00960	(000000-002547 )	Key, Sq, 0.12 X 0.12, 0.50l	1
39	71388	(000000-002547 )	Screw, Soc, M6 X 1.00 X 16, 12.9	4
40	19066	(000000-002547 )	Washer, Flat, #10	4
41	1029689	(000000-002547 )	Cable, 06ga 16.0l Red .38ring /.38ring	1
42	1016314	(000000-002547 )	Boot, 90deg .50id 1.00id 2.50l, Red	2
43	1033697	(000000-002547 )	Bracket, Clamp, Hose	1
44	1038035	(000000-002547 )	Belt, v, 37.0L [3V]	1

**Fig. 16 - Engine Alternator Group, Diesel (002548- )**

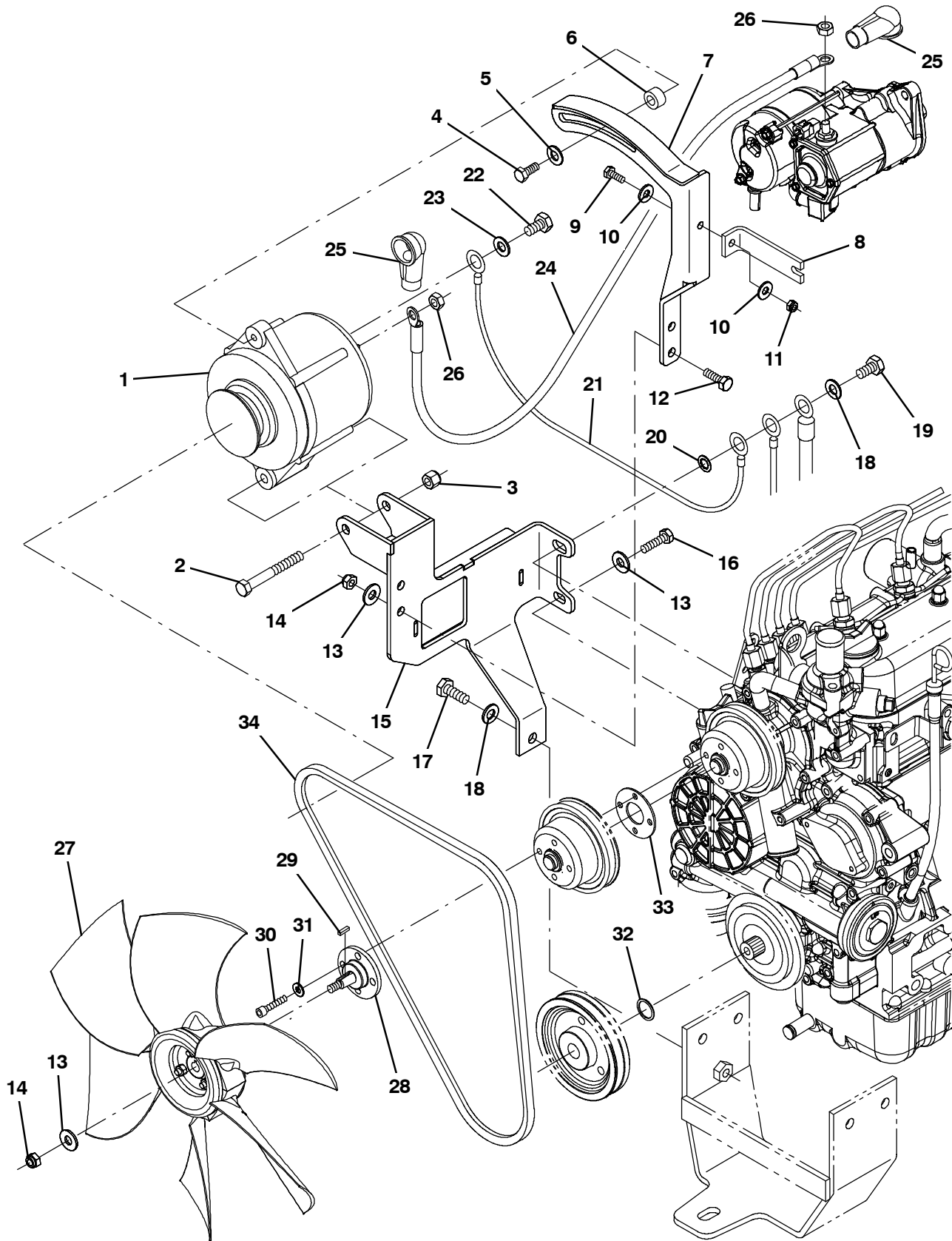


Fig. 16 - Engine Alternator Group, Diesel (002548- )

Ref.	Part No.	Serial Number	Description	Qty.
1	392611	(002548-	) Alternator, 12vdc, 075a [Valeo]	1
2	35707	(002548-	) Screw, Hex, .38-16 X 3.00, G5	1
3	59156	(002548-	) Nut, Hex, Lock, .38-16, NI, Ss	1
4	76955	(002548-	) Screw, Hex, .31-18 X 1.00, G5	1
5	41186	(002548-	) Washer, Flat, Belleville, .31	1
6	73737	(002548-	) Tube, 0.38id 0.75od 00.3l, Ss	1
7	1036847	(002548-	) Arm Wldt, Alternator, Dsl	1
8	1036859	(002548-	) Bracket, Sppt, Alternator, Dsl	1
9	06943	(002548-	) Screw, Hex, M6 X 1.00 X 20, 8.8	1
10	32483	(002548-	) Washer, Flat, 0.25, Sae	2
11	08708	(002548-	) Nut, Hex, Lock, M6 X 1.00, NI	1
12	39277	(002548-	) Screw, Hex, M8 X 1.25 X 25, 8.8	2
13	32491	(002548-	) Washer, Flat, 0.31, Std	4
14	08709	(002548-	) Nut, Hex, Lock, M8 X 1.25, NI	3
15	1036844	(002548-	) Bracket Wldt, Mtg, Alternator, Dsl	1
16	76570	(002548-	) Screw, Hex, M8 X 1.25 X 30, 8.8	1
17	39283	(002548-	) Screw, Hex, M10 X 1.50 X 25, 8.8	1
18	32492	(002548-	) Washer, Flat, 0.38, Std	2
19	33612	(002548-	) Screw, Hex, M10 X 1.25 X 35, 8.8	1
20	32988	(002548-	) Washer, Lock, Int, 0.38	1
21	371527	(002548-	) Wire, Ground	1
22	42011	(002548-	) Screw, Hex, 10-24 X 0.50, Ss	1
23	01683	(002548-	) Washer, Flat, 10, Ss	1
24	1029689	(002548-	) Cable, 06ga 16.0l Red .38ring /.38ring	1
25	1016314	(002548-	) Boot, 90deg .50id 1.00id 2.50l, Red	2
26	41361	(002548-	) Nut, Hex, Std, M8 X 1.25, Brs	2
27	1031566	(002548-	) Fan, Cooling, 14.1d, 6 Blade, 0.5b Taper	1
28	1035341	(002548-	) Spacer, Fan, Dsl [M20/T20]	1
29	00960	(002548-	) Key, Sq, 0.12 X 0.12, 0.50l	1
30	71388	(002548-	) Screw, Soc, M6 X 1.00 X 16, 12.9	4
31	19066	(002548-	) Washer, Flat, 10	4
32	1039208	(002548-	) Washer, Flat, 1.10b 1.50d .12, Stl, PI	1
33	1039212	(002548-	) Spacer, Fan	1
34	393244	(002548-	) Belt, V, 42.0l [Hc41]	1

Fig. 17 - Engine Muffler Group, Diesel

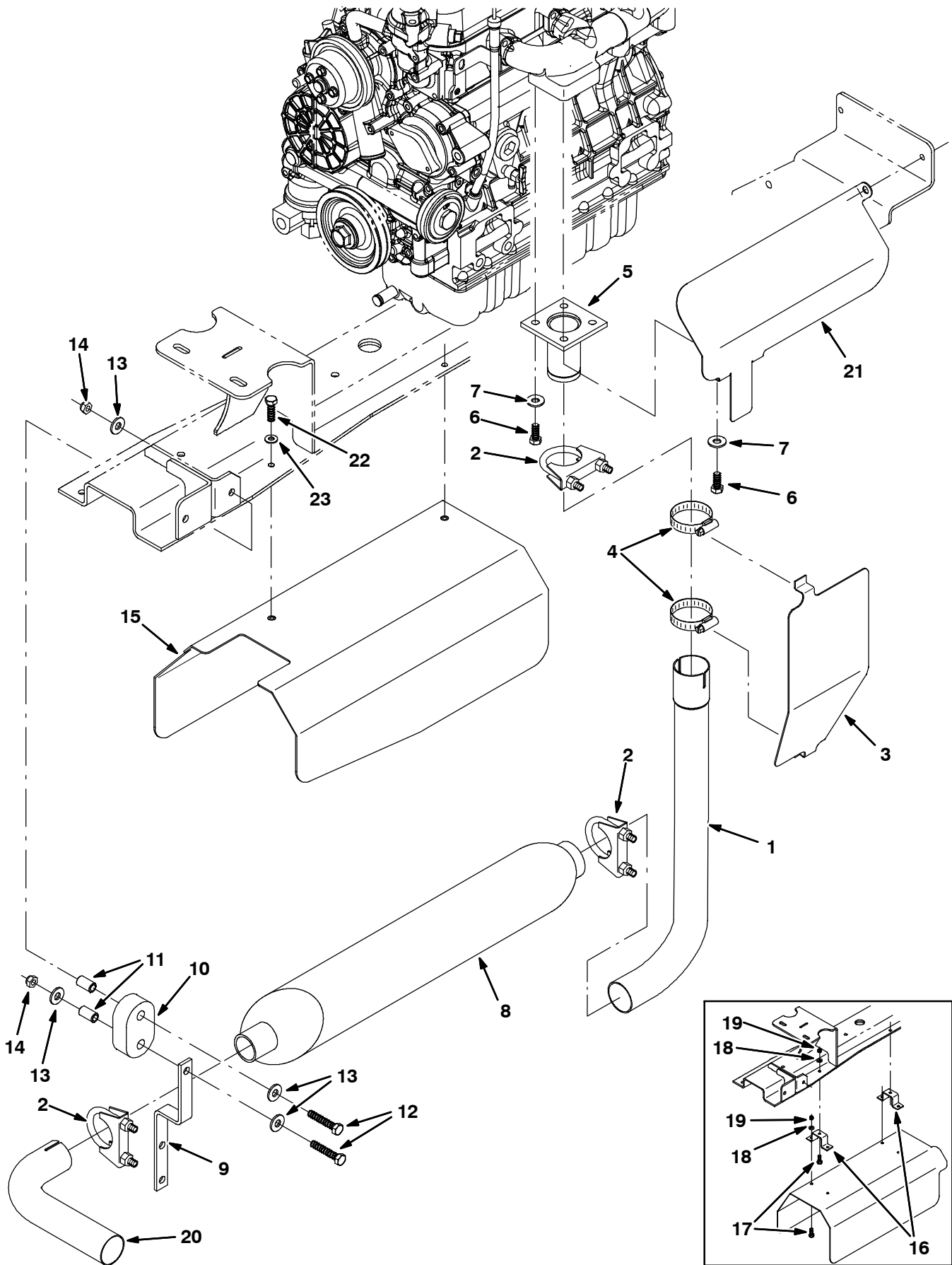




Fig. 17 - Engine Muffler Group, Diesel

Ref.	Part No.	Serial Number	Description	Qty.
1	1024357	(000000-	) Tube, Exhaust, Dsl	1
2	24012	(000000-	) Clamp, Muffler, 1.62d	3
3	9002411	(000000-	) Plate, Shield, Heat, Dsl, Replmt	1
4	11531	(000000-	) Clamp, Hose, Wormdrive, 1.06-2.00d, .56w	2
5	74452	(000000-	) Tube Wldt, Exhaust, 1.5d, 4 Hole Flng	1
6	16931	(000000-	) Screw, Hex, M8 X 1.25 X 20, 8.8	4
7	32491	(000000-	) Washer, Flat, 0.31, Std	4
8	364805	(000000-	) Muffler, Exhaust	1
9	1017969	(000000-	) Bracket, Muffler, Hanger, Front	1
10	1013031	(000000-	) Isolator, Rbr	1
11	222496	(000000-	) Sleeve, P/M, 0.31b 0.50d 0.9l [430ss]	2
12	222505	(000000-	) Screw, Hex, M8 X 1.25 X 45, Ss	2
13	01685	(000000-	) Washer, Flat, 0.31, Ss	4
14	08713	(000000-	) Nut, Hex, Lock, M8 X 1.25, NI, Ss	2
15	1028994	(000000-	) Channel, Shield, Muffler [M20/T20 2007]	1
16	1022113	(000000-001412	) Bracket, Retainer, Shield, Heat	2
17	08716	(000000-001412	) Screw, Hex, M6 X 1.0 X 20, Ss	6
18	32483	(000000-001412	) Washer, Flat, 0.25, Sae	6
19	08712	(000000-001412	) Nut, Hex, Lock, M6 X 1.00, Ss, NI	6
20	1021789	(000000-	) Tube, Exhaust, 1.5d	1
21	1032010	(000000-	) Shield, Heat, Dsl	1
22	08716	(001413-	) Screw, Hex, M6 X 1.0 X 20, Ss	2
23	32483	(001413-	) Washer, Flat, 0.25, Sae	2

**Fig. 18 - Engine Radiator Group, Diesel**

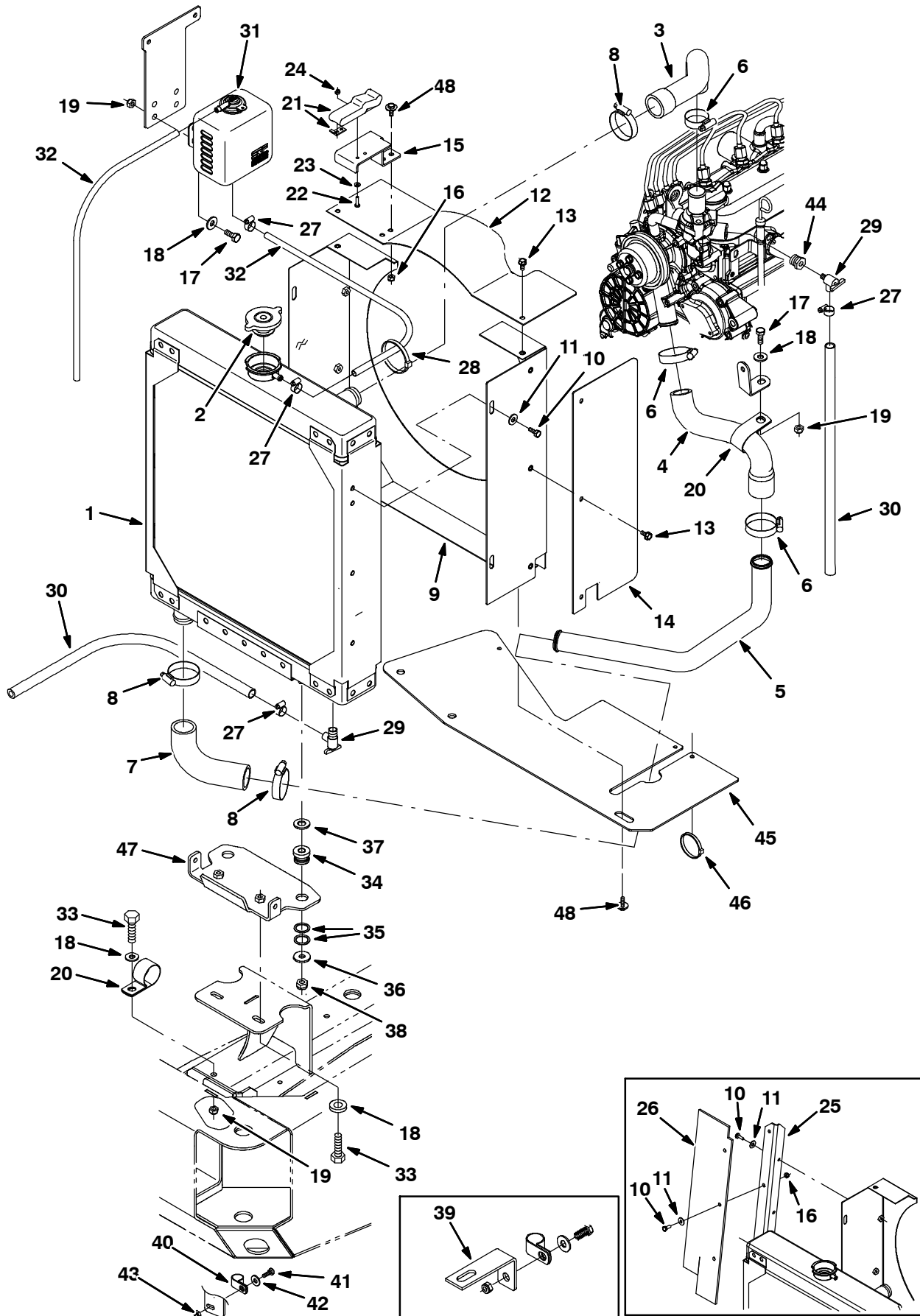


Fig. 18 - Engine Radiator Group, Diesel

Ref.	Part No.	Serial Number	Description	Qty.
1	1018059	(000000-	) Radiator	1
2	368132	(000000-	) Cap, Radiator, 15psi	1
3	1023154	(000000-	) Hose, Radiator, Upper, Dsl	1
4	1033688	(000000-	) Hose, Radiator, Lower, Dsl	1
5	1023180	(000000-	) Tube, Radiator, Lower, Dsl	1
6	11399	(000000-	) Clamp, Hose, Wormdrive, 0.81-1.50d, .50w	3
7	1007482	(000000-	) Hose, Rbr, E90 1.25id 1.25id 04.2 03.1	1
8	11531	(000000-	) Clamp, Hose, Wormdrive, 1.06-2.00d, .56w	3
9	1023810	(000000-	) Panel, Shrd, Fan, Dsl	1
10	06942	(000000-	) Screw, Hex, M6 X 1.0 X 16, 8.8	9
11	32490	(000000-	) Washer, Flat, 0.25, Std	9
12	1024028	(000000-	) Plate, Guard, Fan Shrd, Dsl	1
13	74455	(000000-	) Screw, Hex, M6 X 1.0 X 12, Fmg	5
14	9002412	(000000-	) Plate, Guard, Fan, Shrd, Dsl, Replmt	1
15	1027112	(000000-	) Bracket, Mtg, Latch, Dsl	1
16	08708	(000000-	) Nut, Hex, Lock, M6 X 1.00, NI	5
17	16931	(000000-	) Screw, Hex, M8 X 1.25 X 20, 8.8	5
18	32491	(000000-	) Washer, Flat, 0.31, Std	8
19	08709	(000000-	) Nut, Hex, Lock, M8 X 1.25, NI	6
20	53466	(000000-	) Clamp, Cable, Stl, 1.50d X 1.00w, 1h	2
21	49800	(000000-	) Latch	1
22	06927	(000000-	) Screw, Pan, M4 X 0.70 X 16, 4.8	2
23	19064	(000000-	) Washer, Flat, #06	2
24	02850	(000000-	) Nut, Hex, Lock, M4 X 0.70, NI	2
25	1027099	(000000-001261	) Plate, Mtg, Seal	1
26	1027103	(000000-001261	) Seal, Radiator	1
27	43844	(000000-	) Clamp, Hose, Wormdrive, 0.25-0.62d, .31w	4
28	49266	(000000-	) Tie, Cable, Nyl, 07.3l .19w 1.8 Max D	2
29	51305	(000000-	) Fitting, Draincock, E90, .25npt	2
30	73471	(000000-	) Hose, Pvc, Clr, 0.38id 0.56od 22.00l	2
31	1023853	(000000-	) Tank, Coolant, 04.7 03.3 4.7deep, 1liter	1
32	1015041	(000000-	) Hose, Afmkt, Coolant Recvy, 05ft	1
33	39277	(000000-	) Screw, Hex, M8 X 1.25 X 25, 8.8	3
34	54274	(000000-	) Isolator, Vib, Bshg, 1.1d 0.6l .4b 0.78h	2
35	09832	(000000-	) Washer, Flat, 0.81b 1.06d .06, Stl	4
36	1014563	(000000-	) Washer, Flat, 0.40b 1.12d .12, Ss	2
37	32486	(000000-	) Washer, Flat, 0.50, Sae	2
38	41430	(000000-	) Nut, Hex, Lock, M10 X 1.5, NI	2
39	1026003	(000000-002241	) Bracket, Ftg, Bh	1
40	67767	(000000-	) Clamp, Cable, Stl, 0.69d X 0.62w, 1h	1
41	09740	(000000-	) Screw, Hex, M8 X 1.25 X 20, Ss	1
42	01685	(000000-	) Washer, Flat, 0.31, Ss	1
43	08713	(000000-	) Nut, Hex, Lock, M8 X 1.25, NI, Ss	1
44	1016383	(000000-	) Fitting, Brs, Str, Pf04/Pm06	1
45	1035878	(000000-	) Skirt, Debris, Eng Radiator	1
46	763116	(000000-	) Tie, Cable, Nyl, 15.3l . W 4.5 Max D	1
47	1035976	(001338-	) Bracket, Sppt, Radiator, Upper	1
48	1040467	(000000-	) Screw, Hex, M6 X 1.00 X 20, 9.8, Sems	4

**Fig. 19 - Battery and Electrical Group**

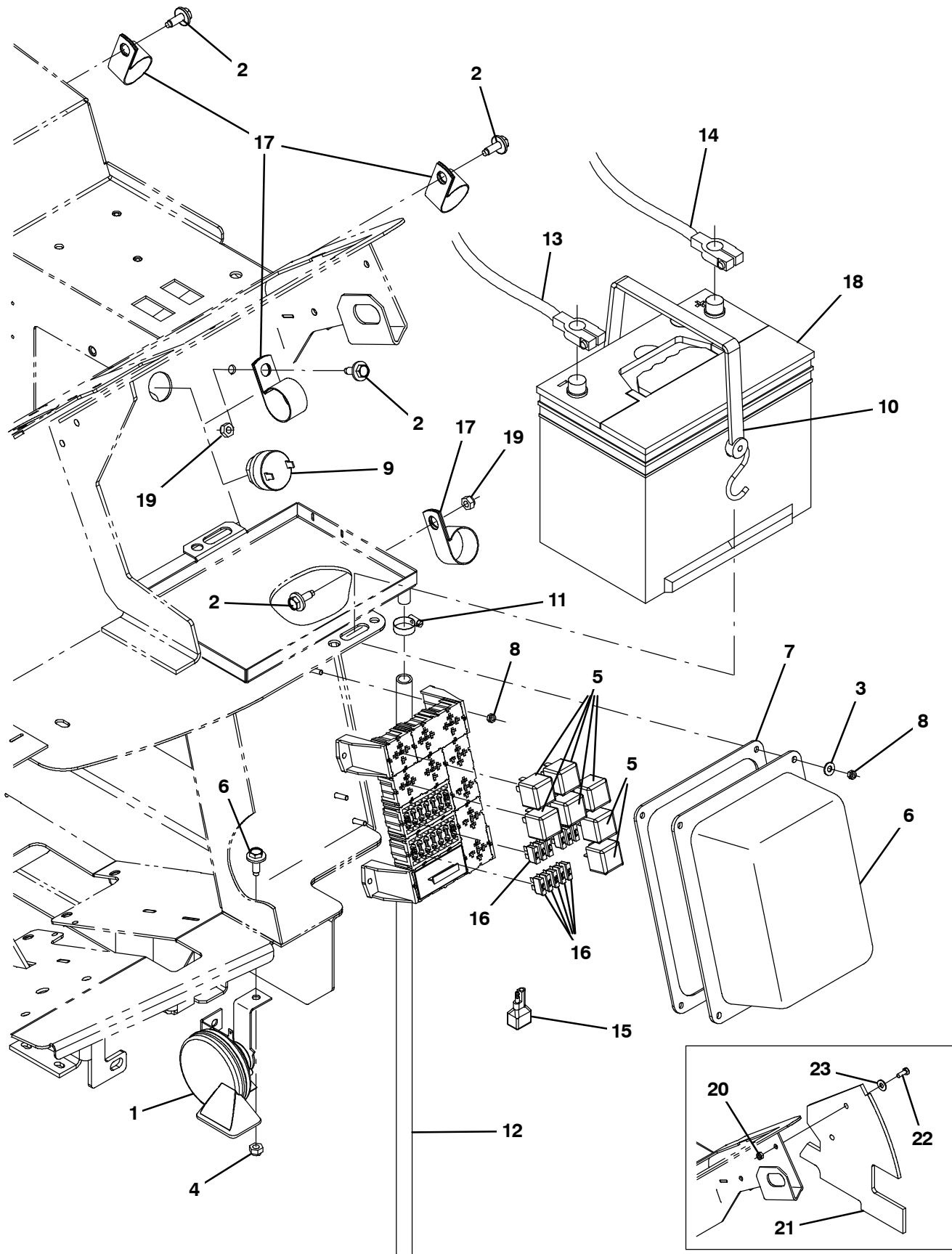


Fig. 19 - Battery and Electrical Group

Ref.	Part No.	Serial Number	Description	Qty.
1	369704	(000000-	) Horn, 12vdc, Dba [Wolo]	1
2	1037346	(000000-	) Screw, Hex, M8 X 1.25 X 25, 9.8, Sems	5
4	08709	(000000-	) Nut, Hex, Lock, M8 X 1.25, NI	1
3	19066	(000000-	) Washer, Flat, #10	4
5	57804	(000000-	) Relay, 12vdc, 40a, Spdt N/O	7
6	1024274	(000000-	) Cover, Fuse, Block	1
7	1026576	(000000-	) Gasket, Cover, Fuse Block	1
8	06549	(000000-	) Nut, Hex, Lock, M5 X 0.8, NI	8
9	1021290	(000000-	) Alarm, Warning [Sonalert, St628]	1
10	33671	(000000-	) Strap, Rbr, Tie-Down, 2/Hooks 19.0l	1
11	54333	(000000-	) Clamp, Hose, Wormdrive, 0.31-0.88d, .31w	1
12	20778	(000000-	) Hose, Pvc, Clr, 0.50id 0.69od 30.00l	1
13	60295	(000000-	) Cable, Battery, 02ga 60.0l Blk .41ring	1
14	68869	(000000-	) Cable, Battery, 02ga 48.0l Red .41ring	1
15	222290	(000000-	) Diode, Ele, Plug	1
16	762514	(000000-	) Fuse, 015a	14
17	53466	(000000-	) Clamp, Cable, Stl, 1.50d X 1.00w, 1h	4
18	10143	(000000-	) Battery, Wet, 12Vdc 0600Cca	1
19	08709	(000000-	) Nut, Hex, Lock, M8 X 1.25, NI	2
20	08708	(000000-001278	) Nut, Hex, Lock, M6 X 1.0, NI	2
21	1027228	(000000-001278	) Seal, Radiator, Upper	1
22	06942	(000000-001278	) Screw, Hex, M6 X 1.0 X 16, 8.8	2
23	32490	(000000-001278	) Washer, Flat, 0.25 Std	2

**Fig. 20 - Wheel Group, Front Drive**

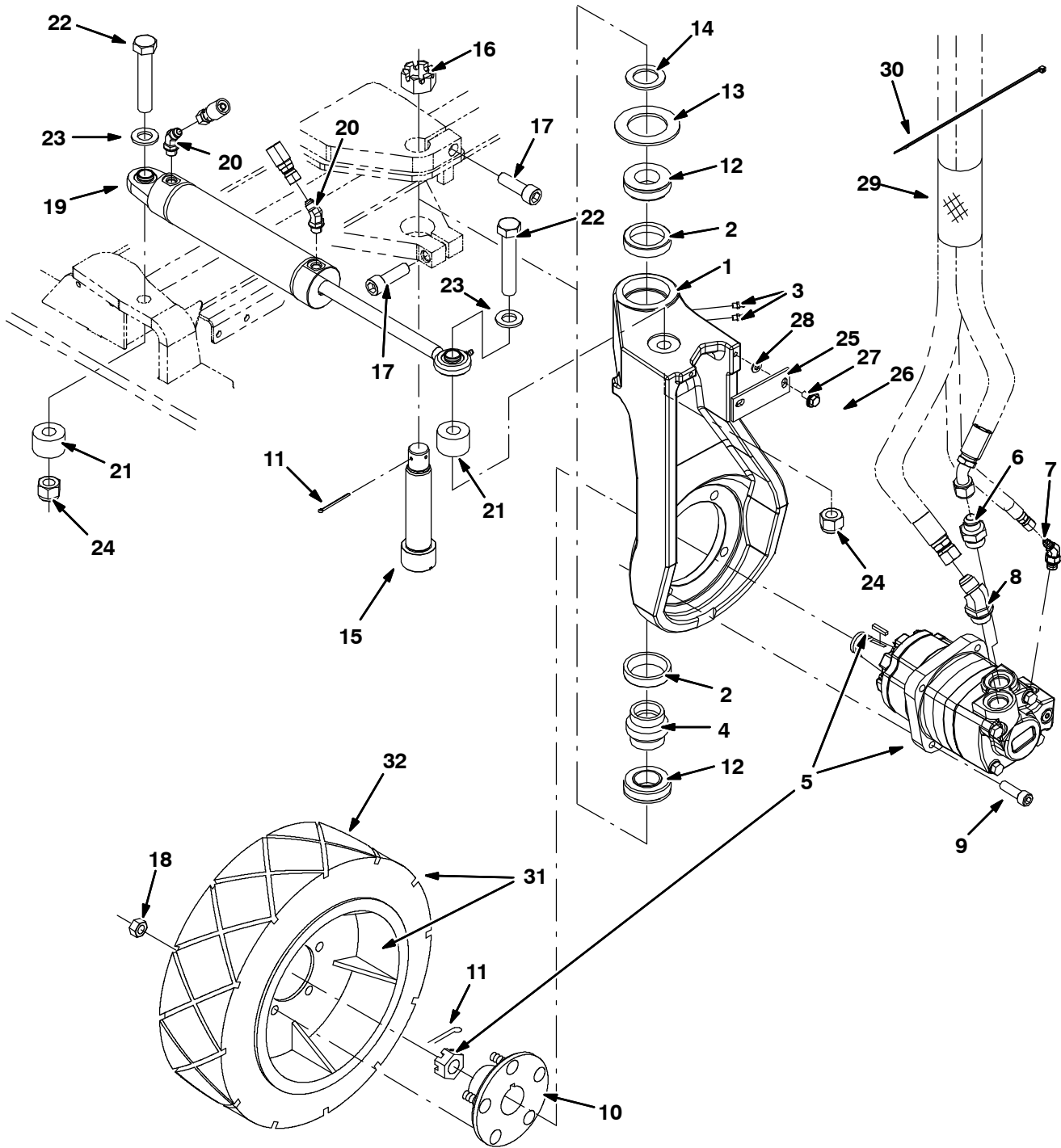


Fig. 20 - Wheel Group, Front Drive

Ref.	Part No.	Serial Number	Description	Qty.	
1	1037940	(000000-	) Housing, Sppt, Rear Wheel	1	
2	51338	(000000-	) Bearing, Cup, 2.56d 0.55w	2	
3	47801	(000000-	) Fitting, Grease, Str Pm04 .63l	2	
4	374560	(000000-	) Seal, Drive, Rear, Grease Cav	1	
5	379609	(000000-	) Motor, Hyd, Gear, Int 19.0 Bi-Dir 3000 (See Breakdown)	1	
6	42223	(000000-	) Fitting, Hyd, Str, Jm10/Om12	1	
7	393215	(000000-	) Fitting, Hyd, E45, Jm04/Om06	1	
8	1024249	(000000-	) Fitting, Hyd, E45, Jm10/Om12	1	
9	19583	(000000-	) Screw, Soc, .50-13 X 1.50, Al	4	
▽	10	54087	(000000-	) Hub Assy, Wheel, 5 Bolt 4.50bc Taper B	1
▲	32126	(000000-	) Stud, Wheel, .50-20 X 1.50l, 0.370th	5	
11	08180	(000000-	) Pin, Cotter, .125 X 2.00	2	
12	51339	(000000-	) Bearing, Cone, 1.38b 0.71w	2	
13	374563	(000000-	) Washer, Flat, 2.16b 3.50d .16, Felt	1	
14	54051	(000000-	) Washer, Flat, 1.39b 2.12d .13, Stl	1	
15	73281	(000000-	) Bolt, Shld, 1.37d X 5.13l, 1.1-18 Drilled	1	
16	54052	(000000-	) Nut, Hex, Sltd, 1.12-18	1	
17	72926	(000000-	) Screw, Soc, M16 X 2.0 X 50, 12.9	2	
18	24339	(000000-	) Nut, Wheel, .50-20 X 60 Angle	5	
19	1017903	(000000-	) Cylinder, Hyd, 2.0b, 15.2l, 09.00strk, 3000	1	
20	47522	(000000-	) Fitting, Hyd, E45, Jm06/Om06	2	
21	71340	(000000-	) Tube, Rnd, 1.75d 0.77b 01.1l, Stl, Pntd	2	
22	71341	(000000-	) Screw, Hex, .75-10 X 4.00, 5	2	
23	39350	(000000-	) Washer, Flat, 0.75 Sae	2	
24	32987	(000000-	) Nut, Hex, Lock, .75-10, Ni	2	
25	58842	(000000-	) Bar, Flat, Stl 0.19, 01.50 X 04.1l	1	
26	16931	(000000-	) Screw, Hex, M8 X 1.25 X 20, 8.8	2	
27	32491	(000000-	) Washer, Flat, 0.31, Std	2	
28	39349	(000000-	) Washer, Flat, 0.31 Sae	1	
29	57315	(000000-	) Sleeve, Nyl, #37 05.0l	1	
30	49266	(000000-	) Tie, Cable, Nyl, 07.3l .19w 1.8 Max D	1	
▽	31	84597	(000000-	) Tire Assy, Solid, 18.0X6.0 4.5BC/5Bolt	1
▲	32	84596	(000000-	) Tire, Non-Skid, 18.0X6.0X12.10	1

Fig. 21 - Wheel Group, Rear

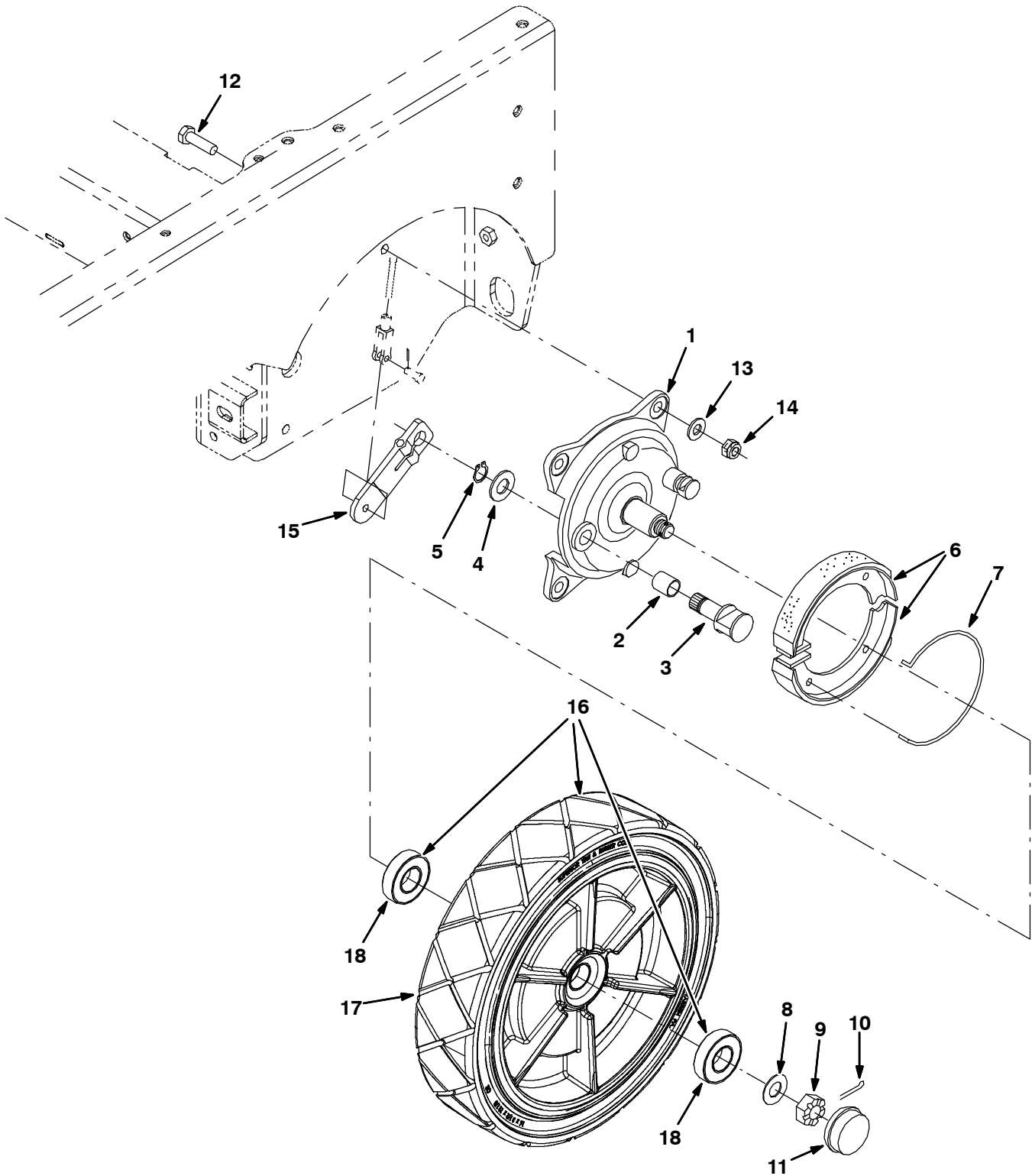




Fig. 21 - Wheel Group, Rear

	Ref.	Part No.	Serial Number	Description	Qty.
▽		360023	(000000-	) Brake Assy, Drum, Mech, 07.0d 1.2w	2
▲	1	360270	(000000-	) Plate, Backing, Brake	1
▲	2	360271	(000000-	) Bushing, Sleeve, 0.78b 0.86d 0.93l, Bnz	1
▲	3	360272	(000000-	) Cam, Plt, Brake [Nickel]	1
▲	4	360273	(000000-	) Washer, Flat, M21.0b X 37d X 3	1
▲	5	360274	(000000-	) Retainer, Ring, Brake	1
▲	6	360275	(000000-	) Shoe, Brake, 180 X 30mm	2
▲	7	360276	(000000-	) Spring, Wir, 0.25d, Return, Brake	1
	8	49145	(000000-	) Washer, Flat, 0.76b 1.50d .06, Ss	2
	9	86659	(000000-	) Nut, Hex, Sltd, .75-16	2
	10	08171	(000000-	) Pin, Cotter, .156 X 2.00	2
	11	54390	(000000-	) Cap, Hub, Dust 2.57d 0.77l	2
	12	06969	(000000-	) Screw, Hex, M12 X 1.75 X 40, 8.8	8
	13	32486	(000000-	) Washer, Flat, 0.50 Sae	8
	14	08711	(000000-	) Nut, Hex, Lock, M12 X 1.75,NI	8
	15	360802	(000000-	) Arm, Lever, Brake, 4.1 [Knott]	2
▽	16	1028203	(000000-	) Tire Assy, Solid, 16.0x3.5, W/ Brg [Ni]	2
▲	17	1028590	(000000-	) Tire, Solid, 16.0 X 3.5 X 12.1 [Nitrile]	1
▲	18	360074	(000000-	) Bearing, Ball, 1.18b 2.44d 0.63w	2

**Fig. 22 - Brake Pedal Linkage Group**

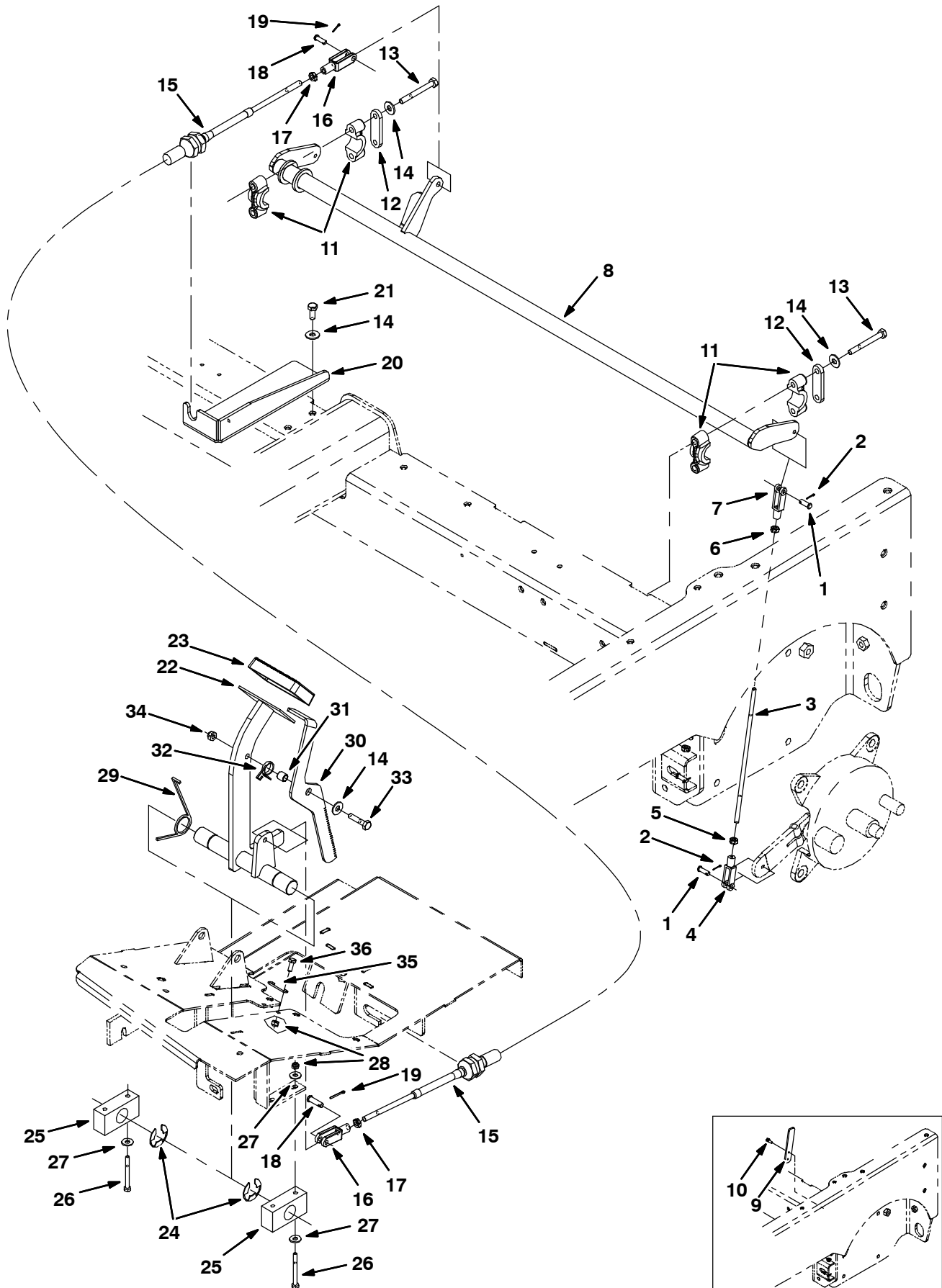
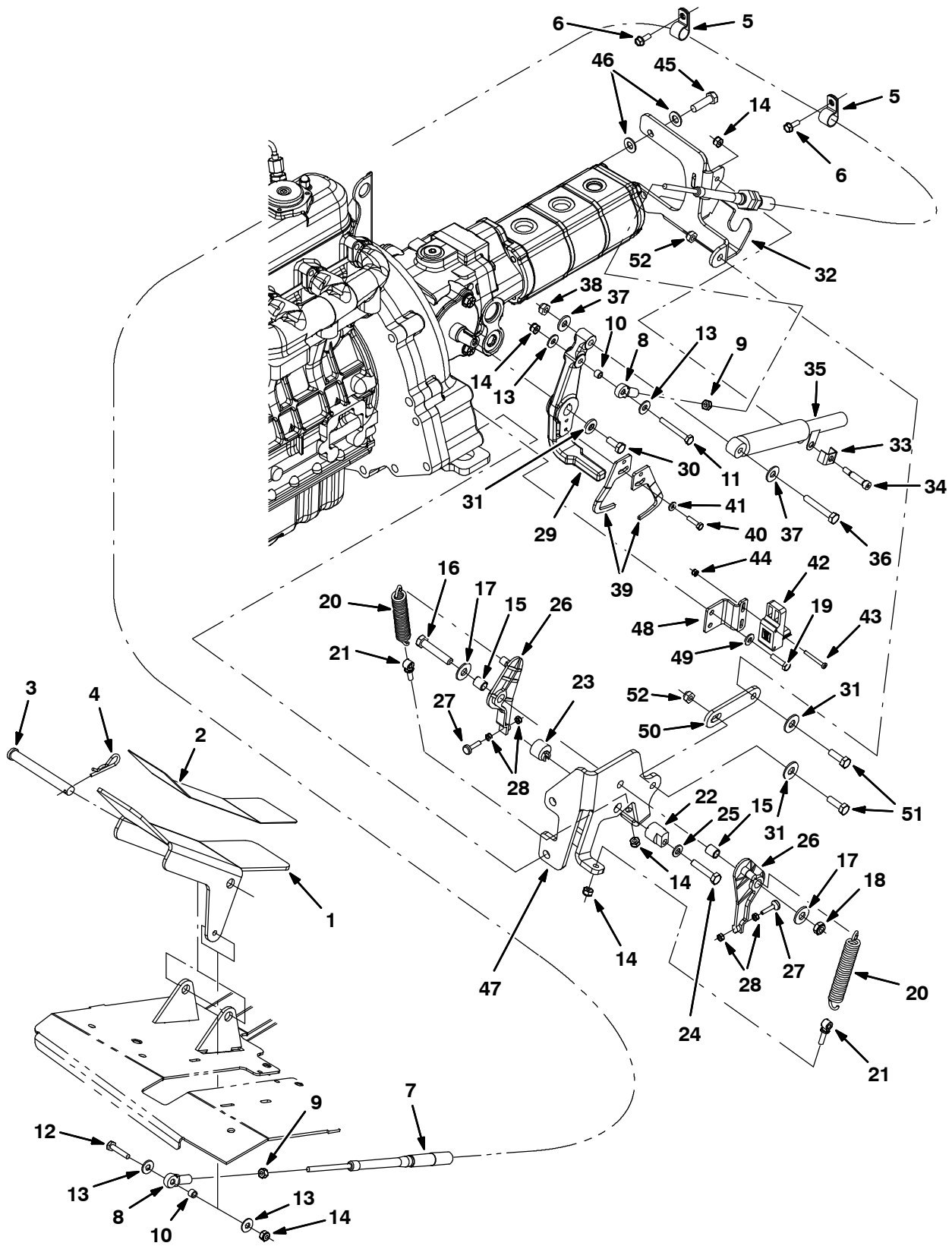


Fig. 22 - Brake Pedal Linkage Group

Ref.	Part No.	Serial Number	Description	Qty.
1	14605	(000000-	) Pin, Clevis, 0.25d X 0.75l	4
2	08170	(000000-	) Pin, Cotter, .062 X 0.50	4
3	364347	(000000-	) Rod	2
4	14595-1	(000000-	) Clevis, Adj, 0.25 Pin, 0.25-28 Rh, Pl	2
5	364948	(000000-	) Nut, Hex, Std, .25-28, Lh	2
6	01714	(000000-	) Nut, Hex, Std, .25-28	2
7	364864	(000000-	) Clevis, Adj, 0.25pin, 0.25-28left Pl	2
8	1022031	(000000-	) Shaft Wldt, Brake	1
9	1026025	(000000-xxxxxx	) Plate, Stop, Brake	2
10	361339	(000000-xxxxxx	) Screw, Hex, M6 X 1.0 X 16, Fmg	4
11	381502	(000000-	) Bearing, Split, 1.00b	4
12	382224	(000000-	) Plate, Sppt	2
13	39279	(000000-	) Screw, Hex, M8 X 1.25 X 70, 8.8	4
14	32491	(000000-	) Washer, Flat, 0.31, Std	7
15	1025495	(000000-	) Cable, Push / Pull, 063.0l 4.0, .31-24	1
16	58311	(000000-	) Clevis, Adj, 0.31pin, 0.31-24	2
17	20170	(000000-	) Nut, Hex, Jam, .31-24	2
18	69582	(000000-	) Pin, Clevis, 0.31d X 1.00l	2
19	08179	(000000-	) Pin, Cotter, .094 X 1.00	2
20	1022736	(000000-	) Bracket, Mtg, Cable	1
21	16931	(000000-	) Screw, Hex, M8 X 1.25 X 20, 8.8	2
22	1022243	(000000-	) Shaft Wldt, Pedal, Brake	1
23	51109	(000000-	) Pad, Pedal, Brake, 3.96l 2.36w 0.75	1
24	23788	(000000-	) Ring, Retaining, Ext, 0.98d, [E-Ring]	2
25	86751	(000000-	) Bearing, Pillowblock, 1.02b [Solid Pye]	2
26	06548	(000000-	) Screw, Hex, M6 X 1.0 X 60, 8.8	4
27	32490	(000000-	) Washer, Flat, 0.25 Std	8
28	08708	(000000-	) Nut, Hex, Lock, M6 X 1.0, NI	6
29	54607	(000000-	) Spring, Tors, 1.13id .12wir 02.3coil Rh	2
30	1025487	(000000-	) Pedal, Brake, Lock	1
31	46563	(000000-	) Bushing, Sleeve, 0.37b 0.50d 0.50l, Oib	1
32	59009	(000000-	) Spring, Tors, 0.75id .06wir 02.8coil	1
33	06955	(000000-	) Screw, Hex, M8 X 1.25 X 35, 8.8	1
34	08709	(000000-	) Nut, Hex, Lock, M8 X 1.25, NI	1
35	71367	(000000-	) Spring, Wir, 0.08d, Brake, Parking	1
36	06942	(000000-	) Screw, Hex, M6 X 1.0 X 16, 8.8	2

**Fig. 23 - Directional Pedal and Linkage Group, Diesel**



Ref.	Part No.	Serial Number	Description	Qty.
1	1025140	(000000-	) Pedal, Propel	1
2	58819	(000000-	) Tread, Non-Skid, 03.0w 11.6l	1

Fig. 23 - Directional Pedal and Linkage Group, Diesel

Ref.	Part No.	Serial Number	Description	Qty.
3	59668	(000000-	) Pin, Clevis, 0.50 D X 4.50l	1
4	08182	(000000-	) Pin, Cotter, .125 X 1.00	1
5	67767	(000000-	) Clamp, Cable, Stl, 0.69d X 0.62w, 1h	2
6	361339	(000000-	) Screw, Hex, M6 X 1.0 X 16, Fmg	2
7	1022345	(000000-	) Cable, Push / Pull, 098.0l .25-28/.25-28	1
8	68866	(000000-	) Rod-End, .25-28rh Fem 0.25b [Teflon]	2
9	01714	(000000-	) Nut, Hex, Std, .25-28	2
10	65441	(000000-	) Tube, 00.38d 00.26b 00.3l Stl Plt	2
11	41399	(000000-	) Screw, Hex, .25-20 X 2.25, Ss	1
12	42180	(000000-	) Screw, Hex, .25-20 X 1.75, Ss	1
13	32490	(000000-	) Washer, Flat, 0.25 Std	4
14	41169	(000000-	) Nut, Hex, Lock, .25-20, NI, Ss	5
15	63234	(000000-	) Tube, 00.50d 00.38b 00.6l Stl	2
16	42467	(000000-	) Screw, Hex, .38-16 X 2.00, Ss	1
17	32492	(000000-	) Washer, Flat, 0.38 Std	2
18	36643	(000000-	) Nut, Hex, Lock, .38-16, NI, Thin	1
19	21197	(000000-	) Screw, Hex, .38-16 X 1.00, 5	2
20	11842	(000000-	) Spring, Extn, 0.75od X 0.12wir, 4.3l	2
21	48079	(000000-	) Bolt, Eye, .25-20 X 1.40 X .25 Eye	2
22	53947	(000000-	) Cam, Centering, Pintle	1
23	54655	(000000-	) Cam, Centering, Pintle	1
24	74440	(000000-	) Screw, Hex, M8 X 1.25 X 40, Ss, NI	1
25	39349	(000000-	) Washer, Flat, 0.31 Sae	1
26	53953	(000000-	) Arm, Cntrl, Pintle, Centering	2
27	54205	(000000-	) Bumper, Rbr, 0.5d 0.16t M5 X 08	2
28	50335	(000000-	) Nut, Hex, Std, M5 X 0.8, 8	4
29	1027233	(000000-	) Arm, Pintle	1
30	83879	(000000-	) Screw, Hex, .31-24 X 0.75, NI	1
31	41186	(000000-	) Washer, Belleville, .31	3
32	1027313	(000000-	) Bracket Wldt, Propel, Pintle	1
33	84170	(000000-	) Bracket, Retainer, Safety	1
34	16213	(000000-	) Bolt, Shld, .31d X 1.00, .25-20	1
35	73411	(000000-	) Shock Absorber, 2.3 Strk	1
36	39278	(000000-	) Screw, Hex, M8 X 1.25 X 50, 8.8	1
37	32491	(000000-	) Washer, Flat, 0.31 Std	2
38	08709	(000000-	) Nut, Hex, Lock, M8 X 1.25, NI	1
39	1022787	(000000-	) Arm [Positioning]	2
40	09252	(000000-	) Screw, Hex, M5 X 0.8 X 20, 8.8	2
41	01683	(000000-	) Washer, Flat, #10 Ss	2
42	1022779	(000000-	) Sensor, Spd / Dir, 6-30vdc	1
43	09198	(000000-	) Screw, Pan, M4 X 0.7 X 35, Ss	2
44	33932	(000000-	) Nut, Hex, Lock, M4 X 0.7, NI, Ss	2
45	46559	(000000-	) Screw, Hex, .38-16 X 1.25, NI	2
46	32485	(000000-	) Washer, Flat, 0.38 Sae	4
47	1027692	(000000-	) Bracket, Propel, Dsl	1
48	1027742	(000000-	) Bracket, Mtg, Sensor	1
49	32483	(000000-	) Washer, Flat, 0.25, Sae	2
50	1032399	(000000-	) Strap, Sppt	1
51	09010	(000000-	) Screw, Hex, M8 X 1.25 X 25, Ss	2
52	08713	(000000-	) Nut, Hex, Lock, M8 X 1.25, NI, Ss	2

Fig. 24 - Hopper Lift Arms Group

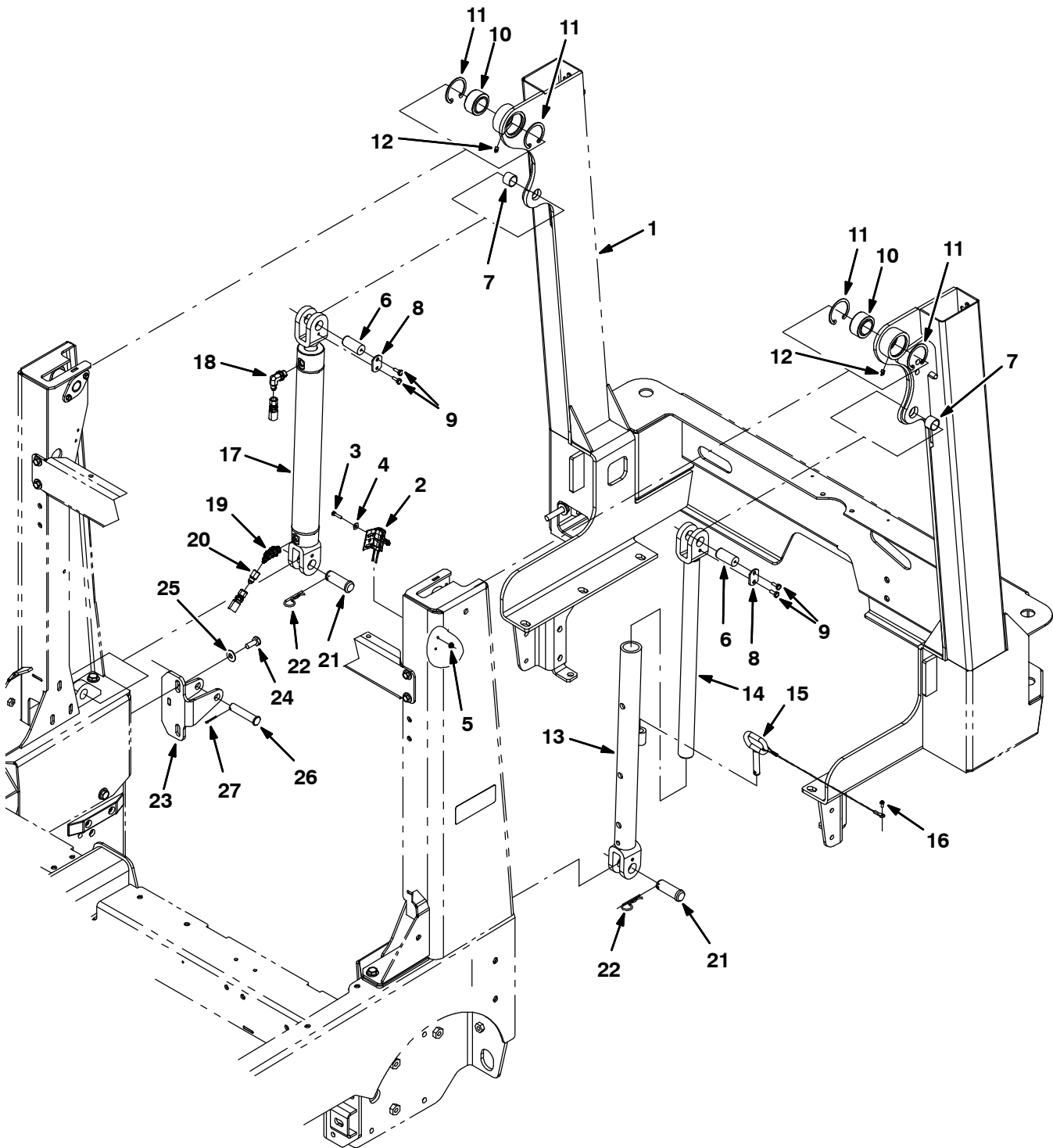


Fig. 24 - Hopper Lift Arms Group

Ref.	Part No.	Serial Number	Description	Qty.
1	1018241	(000000-	) Frame Wldt, Lift, Hpr	1
2	23211	(000000-	) Switch, Snap, 15a No, Rlr	1
3	09252	(000000-	) Screw, Hex, M5 X 0.8 X 20, 8.8	2
4	19066	(000000-	) Washer, Flat, #10	2
5	07789	(000000-	) Nut, Hex, Flng, M5 X 0.8	2
6	1018226	(000000-	) Pin, 0.87d 01.8l, 1/M6 X 1.0, 1cham,Stl	2
7	364587	(000000-	) Bushing, Sleeve, 0.88b 1.00d 0.75l, Bnz	2
8	72897	(000000-	) Plate, Pin, Clevis, Upper	2
9	1040467	(000000-	) Screw, Hex, M6 X 1.0 X 20, 9.8, Sems	4
10	42120-1	(000000-	) Bearing, Self Align, 1.25b 2.00d	2
11	59542	(000000-	) Ring, Retaining, Int, 2.00d	4
12	07259	(000000-	) Fitting, Grease, Str Pm04 .47l	2
13	1018260	(000000-	) Tube Wldt, Arm, Safety	1
14	1018262	(000000-	) Rod Wldt, Arm, Safety	1
15	1018266	(000000-	) Pin, Arm, Safety	1
16	16944	(000000-	) Screw, Hex, M4 X 0.7 X 10, Fmg	1
17	1029646	(000000-	) Cylinder, Hyd, 2.0B 24.1L 15.00Strk 3000	1
18	47638	(000000-	) Fitting, Hyd, E90, Jm04/Om06	1
19	393215	(000000-	) Fitting, Hyd, E45, Jm04/Om06	1
20	1025904	(000000-	) Fitting, Hyd, Rst, Jf04/Jm04, .028	1
21	1018227	(000000-	) Pin, Clevis, 0.88d X 2.25l	2
22	02942	(000000-	) Pin, Cotter, Hair, 0.62d .120 Wir	2
23	1018275	(000000-	) Plate Wldt, Arm, Stop	1
24	09028	(000000-	) Screw, Hex, M10 X 1.5 X 25, Ss	2
25	01686	(000000-	) Washer, Flat, 0.44b 1.00d .08, Ss	2
26	1018276	(000000-	) Pin, Clevis, 0.62d X 2.91l	1
27	08179	(000000-	) Pin, Cotter, .094 X 1.00	1

Fig. 25 - Hopper and Debris Screen Group

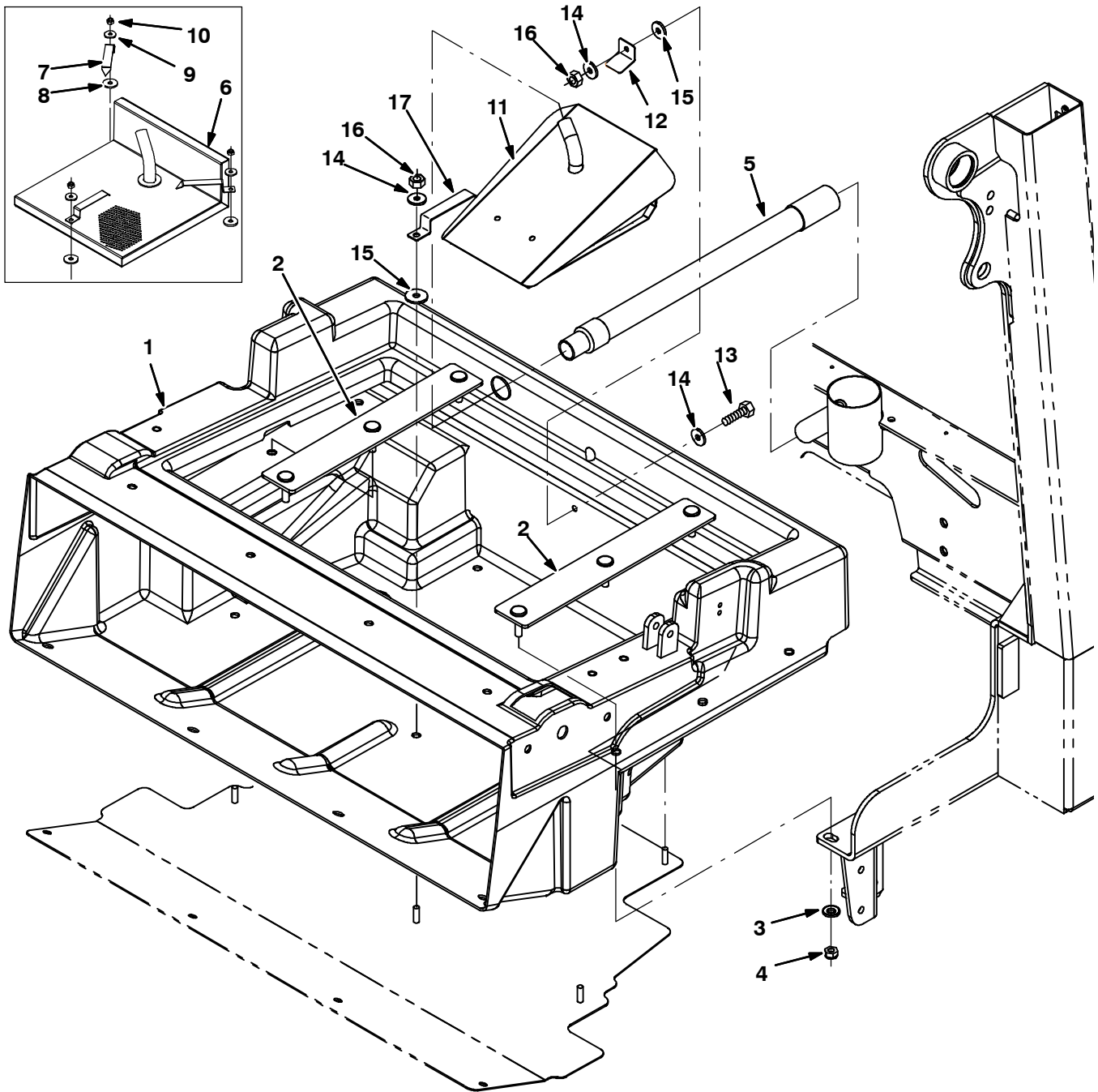




Fig. 25 - Hopper and Debris Screen Group

Ref.	Part No.	Serial Number	Description	Qty.
1	1018300	(000000-	) Hopper, Debris, Rm-Hg, Trimmed	1
2	1018272	(000000-	) Bar, Mtg, Hppr	2
3	763042	(000000-	) Washer, Flat, Belleville, M10	6
4	08714	(000000-	) Nut, Hex, Lock, M10 X 1.5, NI, Ss	6
5	1018239	(000000-	) Hose Assy, W/1cuff, 1.0d 09l 1.0/	1
6	1018235	(000000-002280	) Filter Wldt, Hppr (Replaced By 9003774)	1
7	1018258	(000000-002280	) Spring, Flat, Retainer, Screen	3
8	222268	(000000-002280	) Washer, Flat, 0.38b 1.25d .12, Neo	3
9	1017218	(000000-002280	) Washer, Flat, 0.32b 1.00d .12, Ss	3
10	08713	(000000-002280	) Nut, Hex, Lock, M8 X 1.25, NI, Ss	3
11	1039163	(002281-	) Screen Wldt, Hppr	1
12	1039215	(002281-	) Angle, Retainer	1
13	09010	(002281-	) Screw, Hex, M8 X 1.25 X 25, Ss	1
14	1017218	(002281-	) Washer, Flat, 0.32b 1.00d .12, Ss	3
15	222268	(002281-	) Washer, Flat, 0.38b 1.25d .12, Neo	2
16	08713	(002281-	) Nut, Hex, Lock, M8 X 1.25, NI, Ss	2
17	1044323	(002281-	) Spring, Flat, Retainer, Angled Screen	1

**Fig. 26 - Hopper Cover and Dust Filter Group**

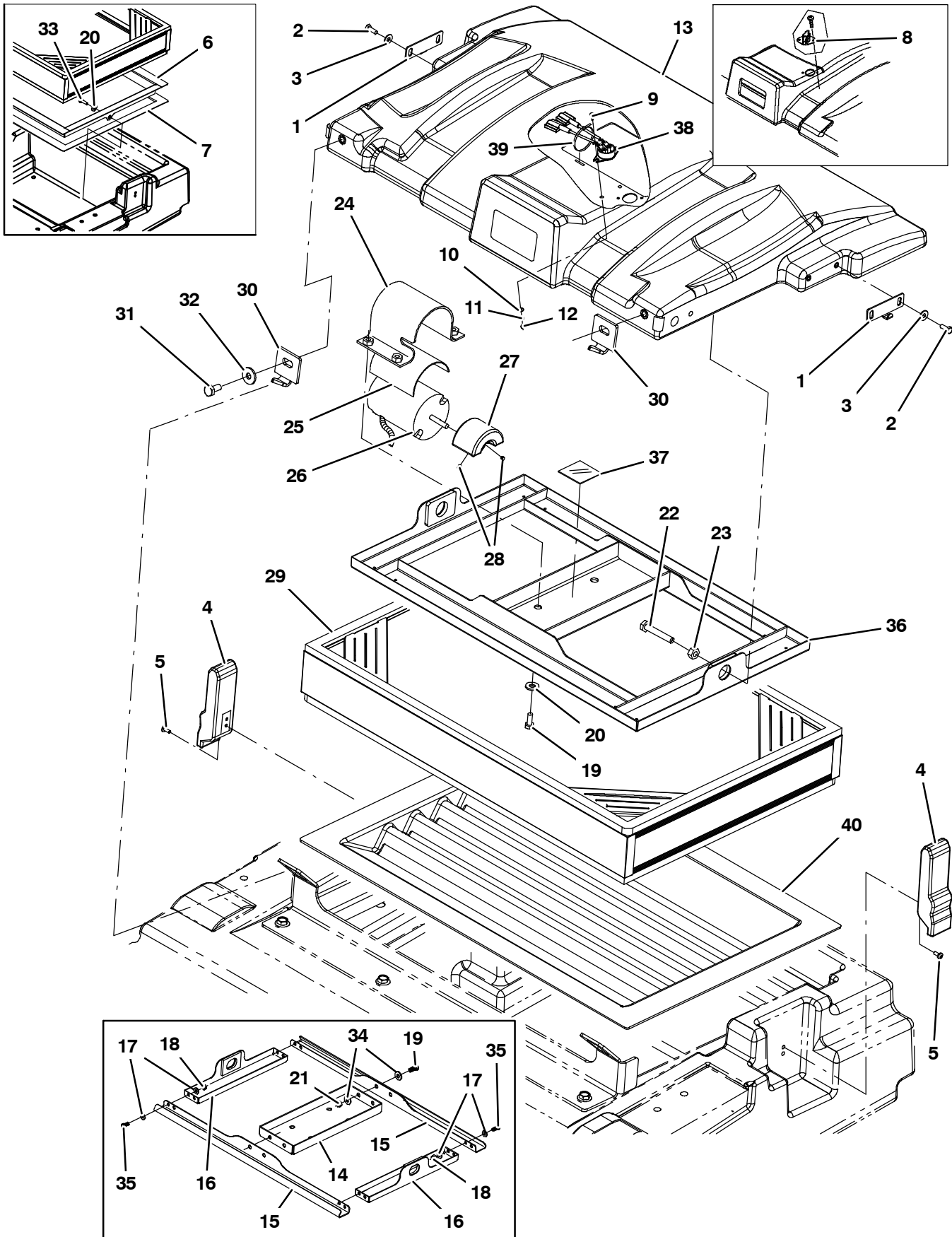


Fig. 26 - Hopper Cover and Dust Filter Group

Ref.	Part No.	Serial Number	Description	Qty.
1	1041984	(000000-	) Cover, HpBracketpr	2
2	15678	(000000-	) Screw, Hex, M6 X 1.0 X 16, Ss	4
3	01684	(000000-	) Washer, Flat, 0.25, Ss	4
4	360824	(000000-	) Latch	2
5	09200	(000000-	) Screw, Pan, M5 X 0.8 X 12, Ss	4
6	1033591	(000000-002048	) Tray Wldt, Perma-filter (Replaced By none)	1
7	1015220	(000000-002048	) Seal, Afrmkt, Ure, Adh, 0.38, 0.75w 08ft (Replaced By none)	1
8	367679	(000000-002040	) Switch, Thermal, 160Deg, Spdt (Replaced by 9003444)	1
9	06922	(000000-	) Screw, Pan, M3 X 0.5 X 20, 4.8	2
10	19064	(000000-	) Washer, Flat, #06	2
11	32975	(000000-	) Washer, Lock, Int, #06	2
12	01754	(000000-	) Nut, Hex, Std, M3 X 0.5, 8	2
13	1041006	(000000-	) Cover, Hppr	1
14	1018203	(000000-001356	) Plate, Shakr	1
15	360952	(000000-001356	) Plate, Shakr, Bar	2
16	1017944	(000000-001356	) Plate Wldt, Shakr, Side	2
17	32483	(000000-001356	) Washer, Flat, 0.25 Sae	16
18	08712	(000000-001356	) Nut, Hex, Lock, M6 X 1.0, Ss, NI	8
19	09740	(000000-	) Screw, Hex, M8 X 1.25 X 20, Ss	8
20	01685	(000000-	) Washer, Flat, 0.31, Ss	6
21	08713	(000000-	) Nut, Hex, Lock, M8 X 1.25, NI, Ss	4
22	06957	(000000-002040	) Screw, Hex, M8 X 1.25 X 60, 8.8	2
22	06963	(002041-	) Screw, Hex, M10 X 1.50 X 60, 8.8	2
23	39311	(000000-002040	) Nut, Hex, Std, M8 X 1.25	2
23	39312	(002041-	) Nut, Hex, Std, M10 X 1.50	2
24	1037671	(000000-	) Strap, Mtg, Motor, .124.00W	1
25	36658	(000000-	) Strip, Rbr, 0.06 04.00w 05.0l Neo/60	1
26	1041920	(000000-	) Motor, Ele [12vdc, Shaker]	1
27	1049242	(000000-	) Weight, Eccentric	1
28	20634	(000000-	) Screw, Set, #10-24 X 0.25, NI	2
29	1018296	(000000-	) Filter, Panl, Dust, 4.2 X 20.0 X 30.0	1
30	1018207	(000000-	) Bar, Mtg, Hppr Cover	2
31	09291	(000000-	) Screw, Hex, M10 X 1.5 X 20, Ss	2
32	1014563	(000000-	) Washer, Flat, 0.40b 1.12d .12, Ss	2
33	39277	(000000-	) Screw, Hex, M8 X 1.25 X 25, 8.8	2
34	01685	(000000-001356	) Washer, Flat, 0.31, Ss	8
35	15678	(000000-001356	) Screw, Hex, M6 X 1.0 X 16, Ss	8
36	1037235	(001357-	) Shaker Wldt	1
37	36661	(001357-	) Strip, Rbr, 0.06 01.00W 04.0L	1
38	1036611	(002041-	) Switch, Temp [160F]	1
39	763116	(002041-	) Tie, Cable, Nyl, 15.3L . W 4.5 Max D	1
40	1037947	(002140-	) Tray, Perma-Filter	1

Fig. 27 - Hopper Bumper Group

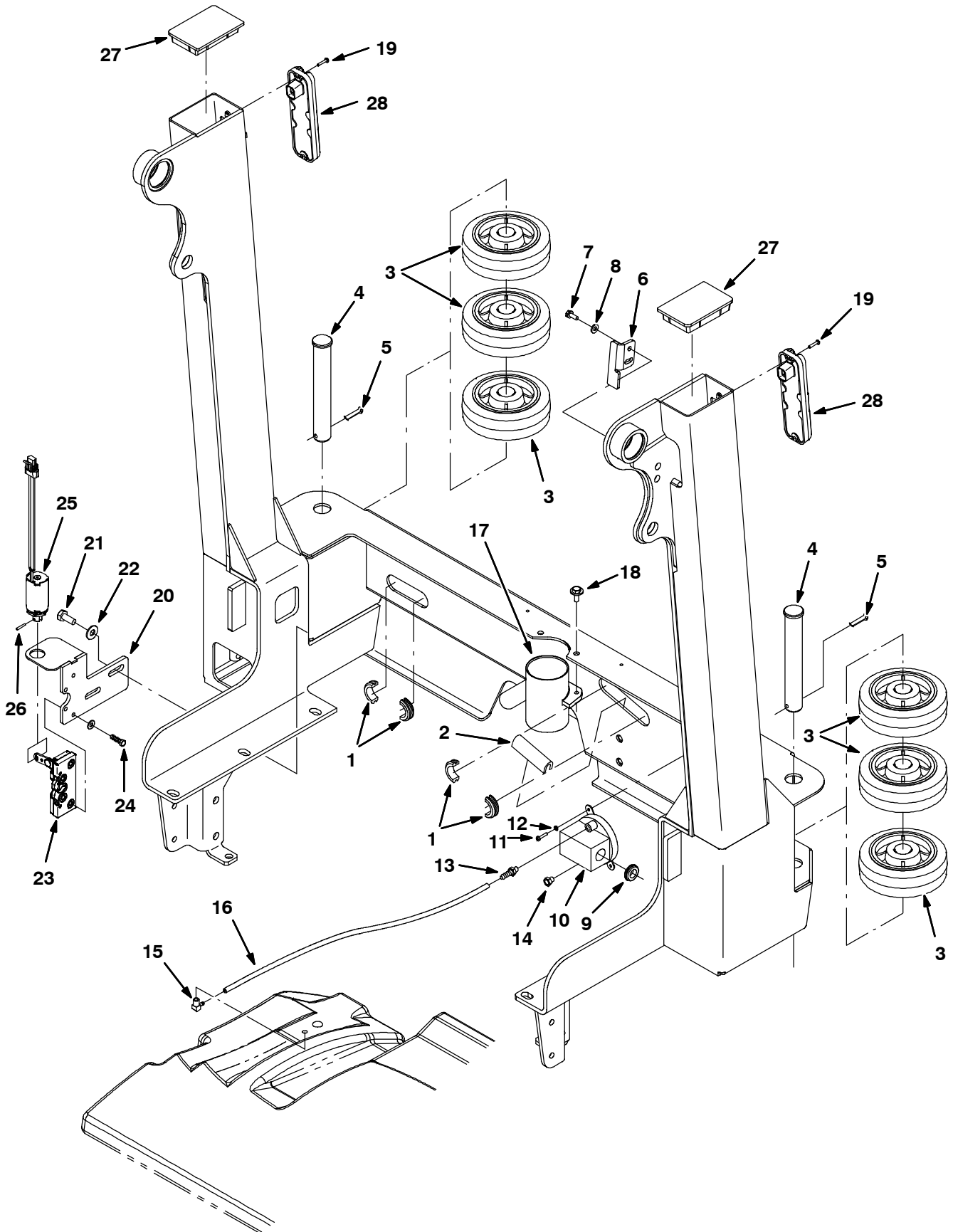


Fig. 27 - Hopper Bumper Group

Ref.	Part No.	Serial Number	Description	Qty.
1	10632-1	(000000-xxxxxx )	Grommet, Rbr, 1.06id, F/1.4h, .19 Matl	2
1	10632-13	( xxxxxx- )	Grommet, Rbr, 1.50id, F/1.8h, .19 Matl	2
2	50646	(000000- )	Molding, Trim, Pvc, .18-.31 07.5l	1
3	1021047	(000000- )	Wheel, 06.0d 2.00w 1.19b, Gray Rbr	6
4	1017672	(000000- )	Pin, Clevis, 30mmd X 200mml	2
5	08171	(000000- )	Pin, Cotter, .156 X 2.00	2
6	1018240	(000000- )	Bracket, Mtg, Switch	1
7	361339	(000000- )	Screw, Hex, M6 X 1.0 X 16, Fmg	2
8	32483	(000000- )	Washer, Flat, 0.25 Sae	2
9	10632-4	(000000- )	Grommet, Rbr, 0.62id, F/0.9h, .06 Matl	1
10	39924	(000000- )	Switch, Press, Spdt 0008psi	1
11	12323	(000000- )	Screw, Pan, M4 X 0.7 X 20, Ss	2
12	02938	(000000- )	Washer, Lock, Int, #08, Ss	2
13	40607	(000000- )	Fitting, Brs, Str, Bm03/Pm02	1
14	82739	(000000- )	Fitting, Brs, Breather [02mp]	1
15	32183	(000000- )	Fitting, Brs, E90, Pm02/Bm03	1
16	1031575	(000000- )	Hose, Afmkt, Vacuum, 0.16id, 03ft	1
17	1036240	(000000- )	Tube, Vacuum	1
18	1037346	(000000- )	Screw, Hex, M8 X 1.25 X 25, 9.8, Sems	2
19	06928	(000000- )	Screw, Pan, M4 X 0.7 X 20, 4.8	4
20	1018280	(000000- )	Plate Wldt, Mtg, Solenoid	1
21	09028	(000000-xxxxxx )	Screw, Hex, M10 X 1.5 X 25, Ss	2
21	12309	( xxxxxx- )	Screw, Hex, M12 X 1.75 X 30, Ss	2
22	32492	(000000-xxxxxx )	Washer, Flat, 0.38 Std	2
22	32486	( xxxxxx- )	Washer, Flat, 0.50, Sae	2
23	21623	(000000- )	Latch	1
24	06944	(000000- )	Screw, Hex, M6 X 1.0 X 25, 8.8	4
25	1018274	(000000- )	Solenoid, Pull, 12vdc, Damper	1
26	20021	(000000- )	Pin, Roll, .125 D X 0.75l, .125/.129	1
27	1018293	(000000- )	Cap, Arm, Lift	2
28	1018208	(000000- )	Light, Tail, 12vdc	2

**Fig. 28 - Hopper Door Group**

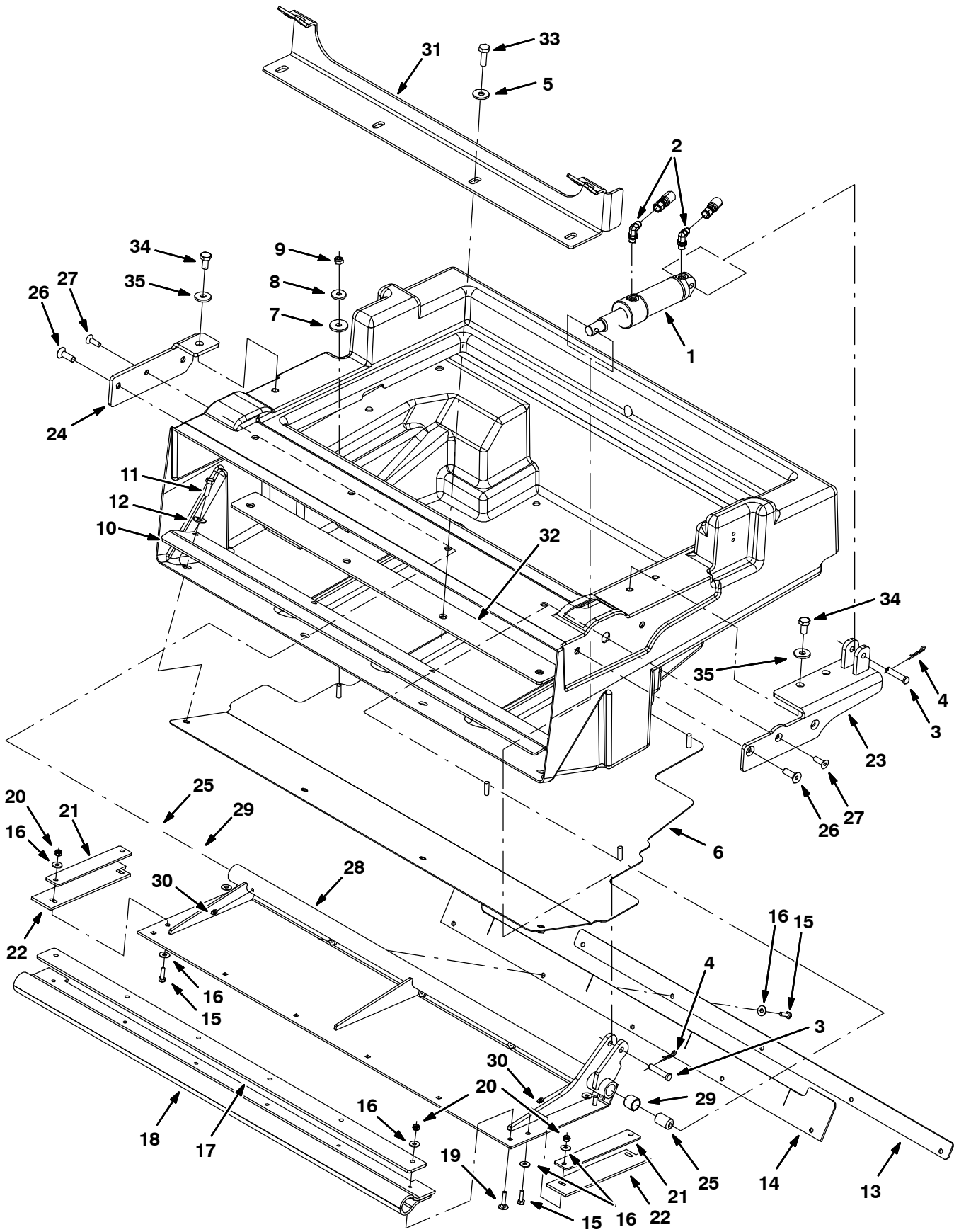


Fig. 28 - Hopper Door Group

Ref.	Part No.	Serial Number	Description	Qty.
1	1021941	(000000-	) Door Cyl, Hppr [Mako]	1
2	77097	(000000-	) Fitting, Hyd, E90, Jm04/Om04	2
3	17461	(000000-	) Pin, Clevis, 0.37d X 1.75l	2
4	08179	(000000-	) Pin, Cotter, .094 X 1.00	2
5	1014563	(000000-	) Washer, Flat, 0.40b 1.12d .12, Ss	4
6	1018237	(000000-	) Plate, Bottom, Hppr	1
7	222268	(000000-	) Washer, Flat, 0.38b 1.25d .12, Neo	2
8	1017218	(000000-	) Washer, Flat, 0.32b 1.00d .12, Ss	2
9	08713	(000000-	) Nut, Hex, Lock, M8 X 1.25, NI, Ss	2
10	1018236	(000000-	) Bracket, Lip, Hppr	1
11	09010	(000000-	) Screw, Hex, M8 X 1.25 X 25, Ss	4
12	01685	(000000-	) Washer, Flat, 0.31, Ss	4
13	1018244	(000000-	) Strap, Door, Dump	1
14	1018245	(000000-	) Seal, Door, Dump	1
15	08716	(000000-	) Screw, Hex, M6 X 1.0 X 20, Ss	9
16	01684	(000000-	) Washer, Flat, 0.25, Ss	19
17	1018196	(000000-	) Plate, Retainer, Door, Dump	1
18	1018197	(000000-	) Seal, Door, Dump	1
19	379791	(000000-	) Bolt, Carriage, M06 X 1.0 X 30	6
20	08712	(000000-	) Nut, Hex, Lock, M6 X 1.0, Ss, NI	10
21	1018194	(000000-	) Strap, Door, Dump, Side	2
22	1018199	(000000-	) Seal, Door, Dump, Side	2
23	1018210	(000000-	) Bracket Wldt, Pivot, Hppr Door, Lh	1
24	1018202	(000000-	) Bracket, Pivot, Hppr Door, Rh	1
25	1018193	(000000-	) Bushing, Pivot, Door	2
26	395825	(000000-	) Screw, Flt, M10 X 1.5 X 30, Ss 18-8	4
27	07810	(000000-	) Screw, Flt, M8 X 1.25 X 25, 10.9	2
28	1016463	(000000-	) Door Wldt, Hppr	1
29	64379	(000000-	) Bushing, Sleeve, 0.75b 0.88d 0.75l, Tef	2
30	07259	(000000-	) Fitting, Grease, Str Pm04 .47l	2
31	1018206	(000000-	) Bracket, Cover	1
32	1018253	(000000-	) Bracket, Cover	1
33	12317	(000000-	) Screw, Hex, M10 X 1.5 X 30, Ss	4
34	09291	(000000-	) Screw, Hex, M10 X 1.5 X 20, Ss	3
35	1014563	(000000-	) Washer, Flat, 0.40b 1.12d .12, Ss	3

**Fig. 29 - Brush Drive Group, Left Side**

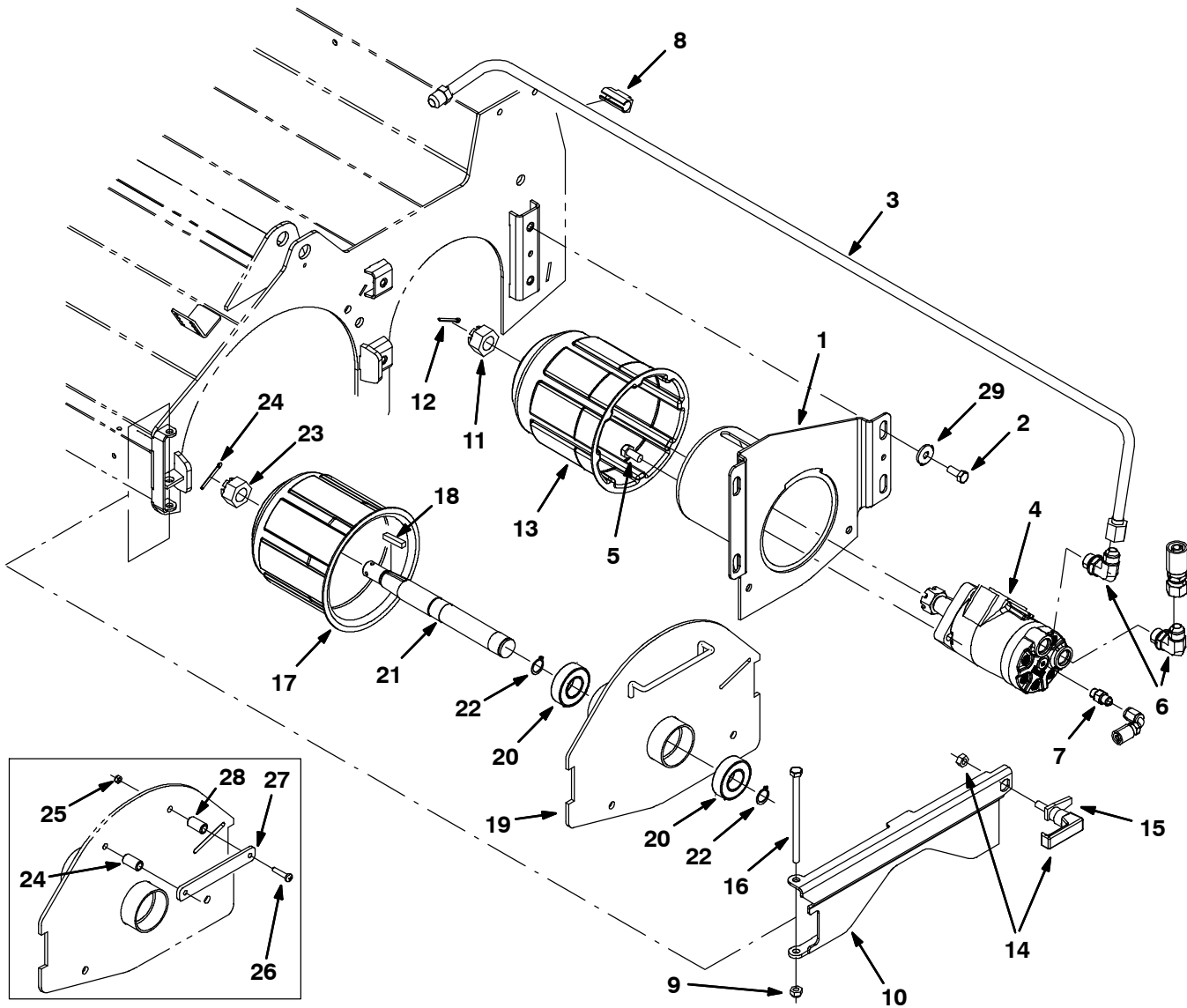




Fig. 29 - Brush Drive Group, Left Side

Ref.	Part No.	Serial Number	Description	Qty.
1	1021019	(000000-	) Housing Wldt, Brush, Drive	1
2	15675	(000000-	) Screw, Hex, M8 X 1.25 X 16, Ss	4
3	1023617	(000000-	) Tube, Hyd, 08 Jf08/Jm08	1
4	71729	(000000-	) Motor, Hyd, Gear, Int 04.5 Bi-Dir 1500 (See Breakdown)	1
5	01762	(000000-	) Screw, Hex, .38-16 X 0.75, NI	4
6	44868	(000000-	) Fitting, Hyd, E90, Jm08/Om08	2
7	55586	(000000-	) Fitting, Hyd, Str, Jm04/Om04	1
8	1026080	(000000-	) Clamp, Hyd, 0.50d	1
9	08713	(000000-	) Nut, Hex, Lock, M8 X 1.25, NI, Ss	11
10	1029964	(000000-	) Door Wldt, Brush	1
11	12295	(000000-	) Nut, Hex, Slt'd, M20 X 2.5, 8	1
12	08175	(000000-	) Pin, Cotter, .125 X 1.25	1
13	87631	(000000-	) Plug Wldt, Drive, Brush, Sweep	1
14	65695	(000000-	) Latch	1
15	1026352	(000000-	) Pawl, Str	1
16	70563	(000000-	) Screw, Hex, M8 X 1.25 X 130, 8.8	1
▽	9006398	(000000-	) Idler Assy, Brush, Replmt [M20/T20, M30]	1
▲	17 25686	(000000-	) Plug Wldt, Drive, Brush	1
▲	18 00927	(000000-	) Key, Sq, 0.25 X 0.25, 1.25l	1
▲	19 1038258	(000000-	) Door Wldt, Brush, Idler	1
▲	20 13534	(000000-	) Bearing, Ball, 0.98b 2.05d 0.59w	2
▲	21 56078	(000000-	) Shaft, Brush, Idler	1
▲	22 09005	(000000-	) Ring, Retaining, Ext, 1.00d, Basic	2
▲	23 12295	(000000-	) Nut, Hex, Slt'd, M20 X 2.5, 8	1
▲	24 08175	(000000-	) Pin, Cotter, .125 X 1.25	1
	25 09739	(000000-002167	) Nut, Hex, Lock, M5 X 0.8, NI, Ss	2
	26 17185	(000000-002167	) Screw, Pan, M5 X 0.8 X 40, Ss	2
	27 1032743	(000000-002167	) Plate, Handle	1
	28 222496	(000000-002167	) Sleeve, P/M, 0.31b 0.50d 0.9l [430ss]	2
	29 32491	(000000-	) Washer, Flat, 0.31, Std	4

Fig. 30 - Brush Drive Group, Right Side

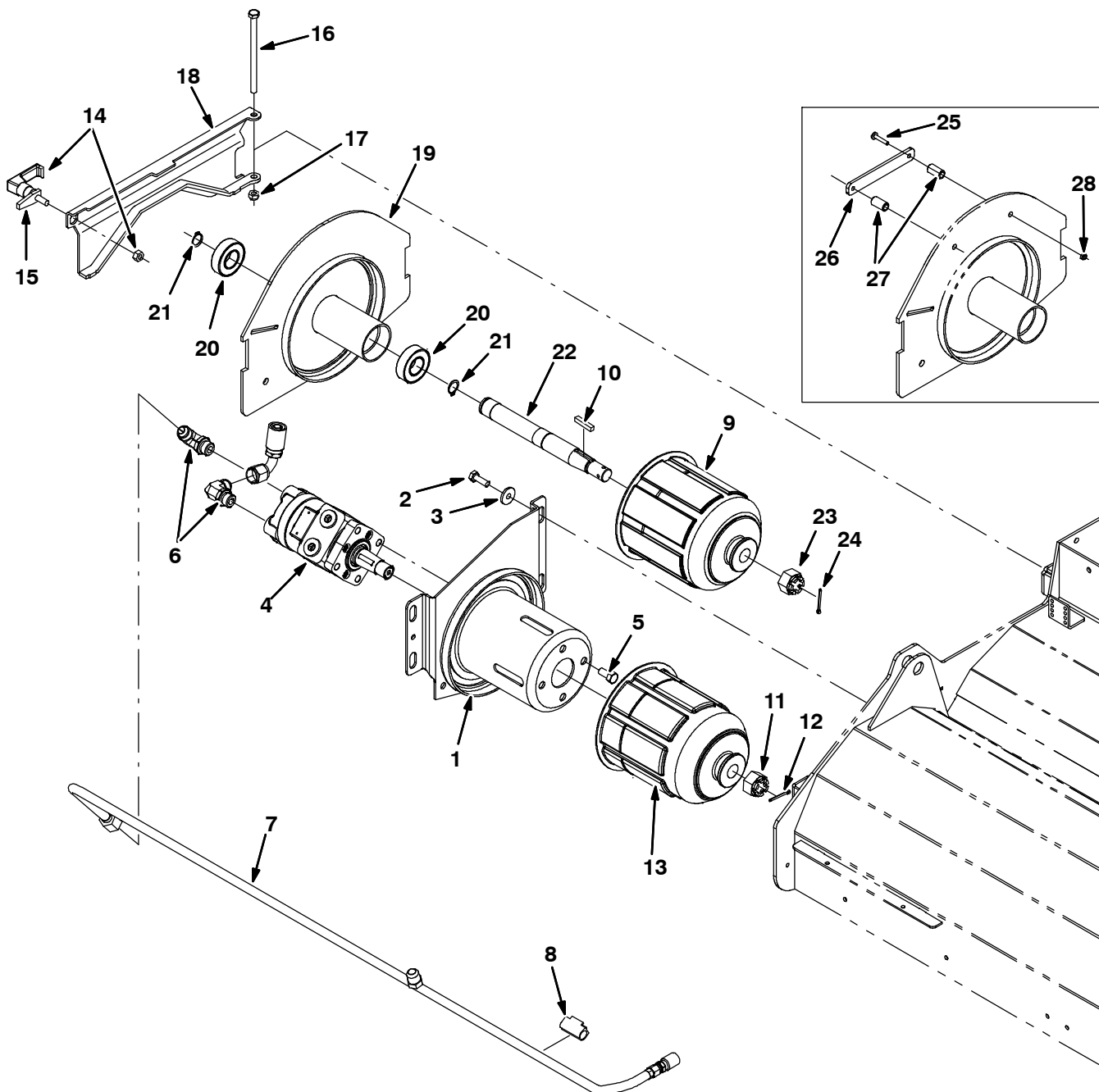


Fig. 30 - Brush Drive Group, Right Side

Ref.	Part No.	Serial Number	Description	Qty.	
1	1021019	(000000-	) Housing Wldt, Brush, Drive	1	
2	15675	(000000-	) Screw, Hex, M8 X 1.25 X 16, Ss	4	
3	32491	(000000-	) Washer, Flat, 0.31, Std	4	
4	71729	(000000-	) Motor, Hyd, Gear, Int 04.5 Bi-Dir 1500 (See Breakdown)	1	
5	01762	(000000-	) Screw, Hex, .38-16 X 0.75, NI	4	
6	44868	(000000-	) Fitting, Hyd, E90, Jm08/Om08	2	
7	1023303	(000000-	) Tube, Hyd, Brush Return	1	
8	1026080	(000000-	) Clamp, Hyd, 0.50d	1	
9	25686	(000000-	) Plug Wldt, Drive, Brush	1	
10	00927	(000000-	) Key, Sq, 0.25 X 0.25, 1.25l	1	
11	12295	(000000-	) Nut, Hex, Sltd, M20 X 2.5, 8	1	
12	08175	(000000-	) Pin, Cotter, .125 X 1.25	1	
13	87631	(000000-	) Plug Wldt, Drive, Brush, Sweep	1	
14	65695	(000000-	) Latch	1	
15	1026352	(000000-	) Pawl, Str	1	
16	70563	(000000-	) Screw, Hex, M8 X 1.25 X 130, 8.8	1	
17	08713	(000000-	) Nut, Hex, Lock, M8 X 1.25, NI, Ss	1	
18	1029964	(000000-	) Door Wldt, Brush	1	
▽	9006398	(000000-	) Idler Assy, Brush, Replmt [M20/T20, M30]	1	
▲	19	1038258	(000000-	) Door Wldt, Brush, Idler	1
▲	20	13534	(000000-	) Bearing, Ball, 0.98b 2.05d 0.59w	2
▲	21	09005	(000000-	) Ring, Retaining, Ext, 1.00d, Basic	2
▲	22	56078	(000000-	) Shaft, Brush, Idler	1
▲	23	12295	(000000-	) Nut, Hex, Sltd, M20 X 2.5, 8	1
▲	24	08175	(000000-	) Pin, Cotter, .125 X 1.25	1
25	17185	(000000-002167	) Screw, Pan, M5 X 0.8 X 40, Ss	2	
26	1032743	(000000-002167	) Plate, Handle	1	
27	222496	(000000-002167	) Sleeve, P/M, 0.31b 0.50d 0.9l [430ss]	2	
28	09739	(000000-002167	) Nut, Hex, Lock, M5 X 0.8, NI, Ss	2	

Fig. 31 - Brush Head Lift Group

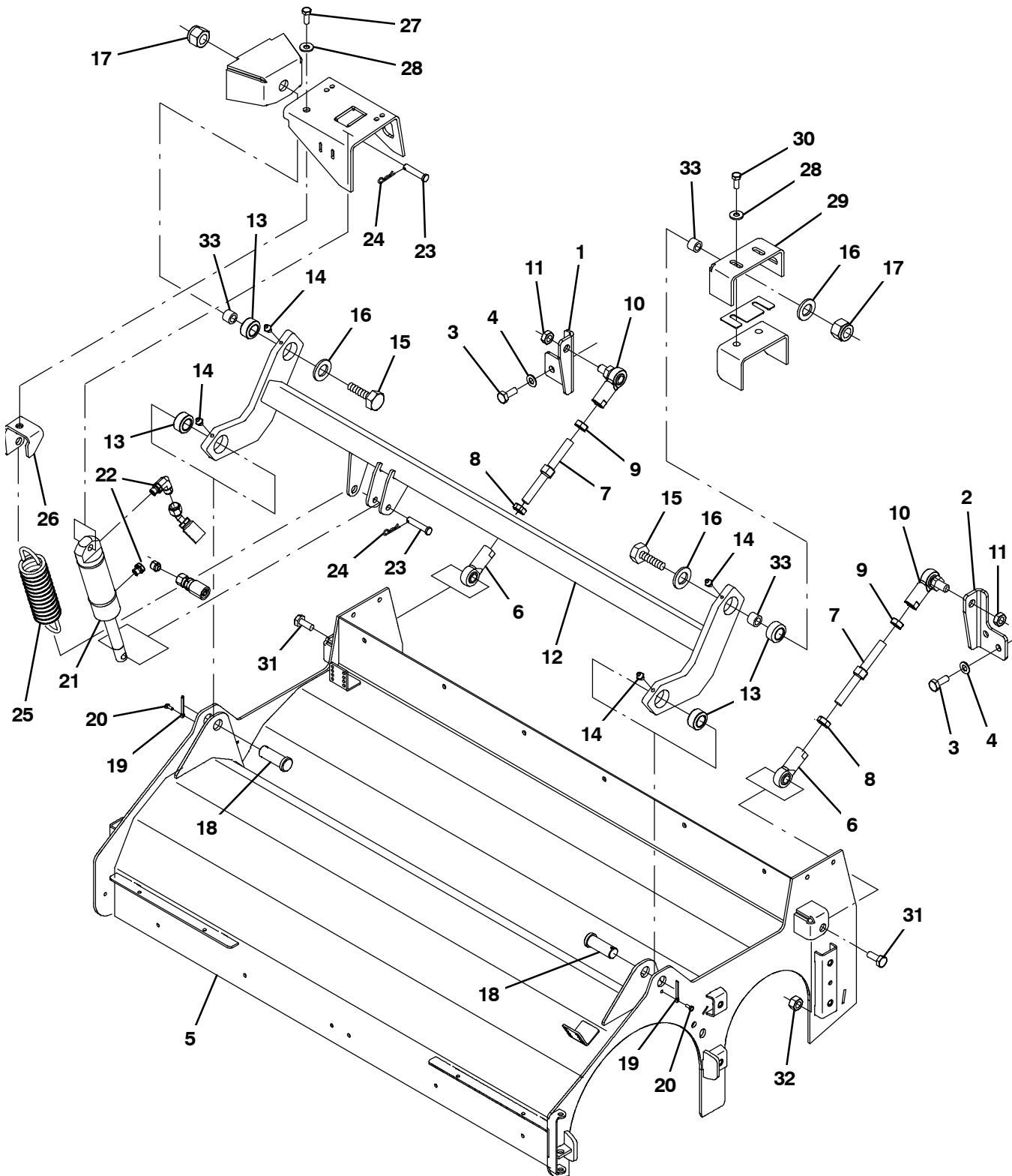


Fig. 31 - Brush Head Lift Group

Ref.	Part No.	Serial Number	Description	Qty.
1	1030910	(000000-	) Bracket, Mtg, Scb Head, Rh	1
2	1030911	(000000-	) Bracket, Mtg, Scb Head, Lh	1
3	09028	(000000-	) Screw, Hex, M10 X 1.5 X 25, Ss	4
4	32485	(000000-	) Washer, Flat, 0.38 Sae	4
5	1020002	(000000-	) Housing Wldt, Swp, Scb	1
6	67555	(000000-	) Rod-End, .50-20rh Fem 0.50b	2
7	1014705	(000000-	) Rod, Thrd, 2 End, .50-20 04.9l, Rh / Lh	2
8	48985	(000000-	) Nut, Hex, Jam, .50-20	2
9	71369	(000000-	) Nut, Hex, Jam, .50-20, Lh	2
10	382099	(000000-	) Rod-End, .50-20lh Fem 0.50-20stud	2
11	51824	(000000-	) Nut, Hex, Lock, .50-20, NI, Thin	2
12	1020003	(000000-	) Tube Wldt, Torque	1
13	42120	(000000-	) Bearing, Self Align, 0.75b 1.25d	4
14	07259	(000000-	) Fitting, Grease, Str Pm04 .47l	4
15	06969	(000000-	) Screw, Hex, M12 X 1.75 X 40, 8.8	2
16	41619	(000000-	) Washer, Flat, 0.56b 1.38d .11, Ss	2
17	09741	(000000-	) Nut, Hex, Lock, M12 X 1.75, NI, Ss	2
18	04733-12	(000000-	) Pin, Clevis, 0.75d X 2.00l	2
19	08236	(000000-	) Pin, Cotter, .156 X 1.25	2
20	223198	(000000-	) Screw, Hex, M5 X 0.8 X 10, Fmg	2
21	1038137	(000000-	) Cylinder, Hyd, 1.5b 07.8l 02.80strk 2500	1
22	77098	(000000-	) Fitting, Hyd, E90, Jm06/Om04	2
23	17461	(000000-	) Pin, Clevis, 0.37d X 1.75l	2
24	86866	(000000-	) Pin, Cotter, Hair, 0.38d .072 Wir	2
25	1031413	(000000-	) Spring, Extn, 1.68od X .203wir, 7.5l	1
26	1027810	(000000-	) Bracket, Mtg, Spring	1
27	763090	(000000-	) Screw, Hex, M8 X 1.25 X 60, FI	1
28	32491	(000000-	) Washer, Flat, 0.31, Std	4
29	1019146	(000000-	) Bracket, Mtg, Lift, Scb Head	1
30	09740	(000000-	) Screw, Hex, M8 X 1.25 X 20, Ss	3
31	39811	(000000-	) Screw, Hex, .50-13 X 1.50, 5	2
32	36644	(000000-	) Nut, Hex, Lock, .50-13, NI, Thin	2
33	1025100	(000000-	) Sleeve, P/M, 0.47b 0.75d 0.5l [430ss]	3

Fig. 32 - Brush Head Skirt Group

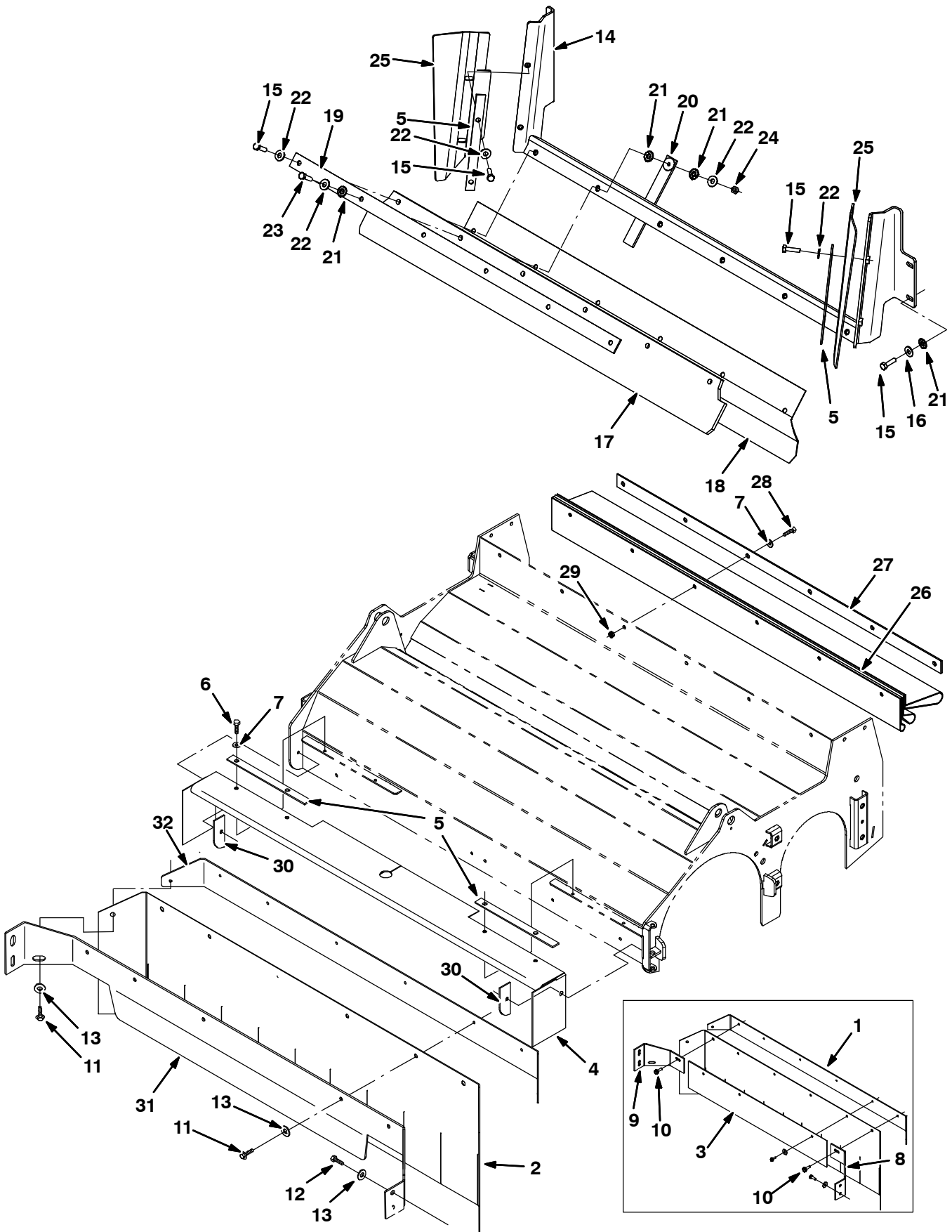


Fig. 32 - Brush Head Skirt Group

Ref.	Part No.	Serial Number	Description	Qty.
1	1020208	(000000-002275 )	Plate, Skirt, Front	1
2	1020166	(000000-	Skirt, Neo, .06, 12.00w 45.88l, 07 Hole	1
3	1020207	(000000-002275 )	Retainer, Skirt, Front	1
4	1022363	(000000-	Skirt, Neo, .06, 07.63w 51.52l, 11 Hole	1
5	1022003	(000000-	Retainer, Skirt	4
6	361339	(000000-	Screw, Hex, M6 X 1.0 X 16, Fmg	6
7	01684	(000000-	Washer, Flat, 0.25, Ss	12
8	1024570	(000000-002275 )	Bracket, Mtg, Skirt	1
9	1020163	(000000-002275 )	Bracket, Mtg, Skirt	1
10	76099	(000000-002275 )	Screw, Hex, M8 X 1.25 X 25, Fmg	4
11	361339	(000000-	Screw, Hex, M6 X 1.0 X 16, Fmg	7
12	09740	(000000-	Screw, Hex, M8 X 1.25 X 20, Ss	4
13	01685	(000000-	Washer, Flat, 0.31, Ss	11
14	1022179	(000000-	Bracket Wldt, Flap, Recirculation	1
15	09010	(000000-	Screw, Hex, M8 X 1.25 X 25, Ss	13
16	32491	(000000-	Washer, Flat, 0.31, Std	4
17	1022007	(000000-	Skirt, Rbr, .37, 04.50w 40.94l, 06 Hole	1
18	1022009	(000000-	Skirt, Neo, .06, 06.38w 40.86l, 06 Hole	1
19	1020828	(000000-	Strip, Flap, Recirculation	1
20	1028852	(000000-	Strap, Static, Afrmkt	1
21	41141	(000000-	Washer, Lock, Int-Ext, 0.31	7
22	01685	(000000-	Washer, Flat, 0.31, Ss	11
23	33401	(000000-	Screw, Hex, M8 X 1.25 X 50, Ss, FI	1
24	08713	(000000-	Nut, Hex, Lock, M8 X 1.25, NI, Ss	1
25	1022165	(000000-	Skirt, Neo, .12, 05.39w 14.01l, 02 Sl	2
26	1026108	(000000-	Skirt, Neo, .06, 26.99w 40.55l, 36 Hole	1
27	1020828	(000000-	Strip, Flap, Recirculation	1
28	07805	(000000-	Screw, Hex, M6 X 1.0 X 35, Ss	6
29	08712	(000000-	Nut, Hex, Lock, M6 X 1.0, Ss, NI	6
30	1022359	(000000-	Plate, Mtg, Skirt, Scb Head	2
31	1039396	(002276-	Bracket, Mtg, Skirt	1
32	1040018	(002276-	Plate, Skirt, Front	1

Fig. 33 - Squeegee Lift Group, Rear

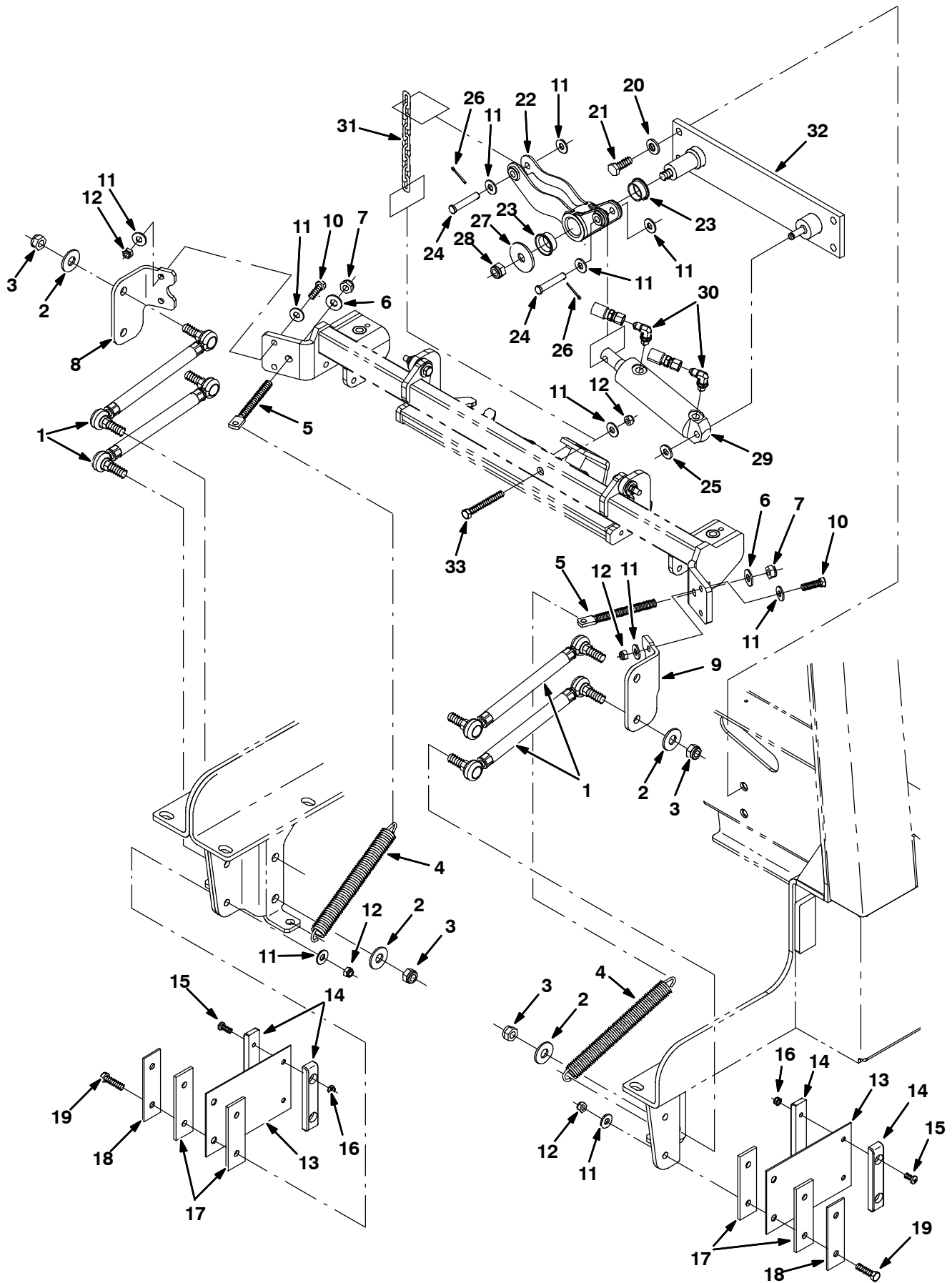




Fig. 33 - Squeegee Lift Group, Rear

Ref.	Part No.	Serial Number	Description	Qty.
1	1026007	(000000-	) Link Assy, Rod-End, M12	4
2	41619	(000000-	) Washer, Flat, 0.56b 1.38d .11, Ss	8
3	09741	(000000-	) Nut, Hex, Lock, M12 X 1.75, NI, Ss	8
4	46785-1	(000000-	) Spring, Extn, 0.88od X 0.14wir, 9.0l	2
5	1007220	(000000-	) Bolt, Eye, M10 X 1.5 X 117mm, 8.0 Eye	2
6	01686	(000000-	) Washer, Flat, 0.44b 1.00d .08, Ss	2
7	08714	(000000-	) Nut, Hex, Lock, M10 X 1.5, NI, Ss	2
8	1022372	(000000-	) Angle, Rh	1
9	1022442	(000000-	) Angle, Lh	1
10	09010	(000000-	) Screw, Hex, M8 X 1.25 X 25, Ss	4
11	01685	(000000-	) Washer, Flat, 0.31, Ss	15
12	08713	(000000-	) Nut, Hex, Lock, M8 X 1.25, NI, Ss	9
13	71204	(000000-	) Spring, Flt, 0.08th, 4.50w X 07.0l	2
14	1024648	(000000-	) Block, Centering	4
15	367770	(000000-	) Screw, Pan, M6 X 1.0 X 16, Ss	4
16	08712	(000000-	) Nut, Hex, Lock, M6 X 1.0, Ss, NI	4
17	1024641	(000000-	) Spacer, Pad, Rbr	4
18	1024703	(000000-	) Retainer, Spring	2
19	09023	(000000-	) Screw, Hex, M8 X 1.25 X 35, Ss, FI	4
20	41187	(000000-	) Washer, Flat, Belleville, .38	4
21	12317	(000000-	) Screw, Hex, M10 X 1.5 X 30, Ss	4
22	1025680	(000000-	) Bellcrank, Lift, Sqge	1
23	367313	(000000-	) Bushing, Flng, 1.00b 1.13d 0.50l	2
24	29584	(000000-	) Pin, Clevis, 0.37d X 2.00l	2
25	23524-1	(000000-	) Ring, Retaining, Ext, 0.38d, [Selflock]	1
26	08179	(000000-	) Pin, Cotter, .094 X 1.00	2
27	04414	(000000-	) Washer, Flat, 0.53b 1.88d .12, Stl, PI	1
28	09741	(000000-	) Nut, Hex, Lock, M12 X 1.75, NI, Ss	1
29	1038137	(000000-	) Cylinder, Hyd, 1.5b 07.8l 02.80strk 2500	1
30	77097	(000000-	) Fitting, Hyd, E90, Jm04/Om04	2
31	1023779	(000000-	) Chain, Str, 4/0, 08 Link	1
32	1021609	(000000-	) Plate Wldt, Lift, Sqge	1
33	06957	(002102-	) Screw, Hex, M8 X 1.25 X 60, 8.8	1

Fig. 34 - Squeegee Group, Rear

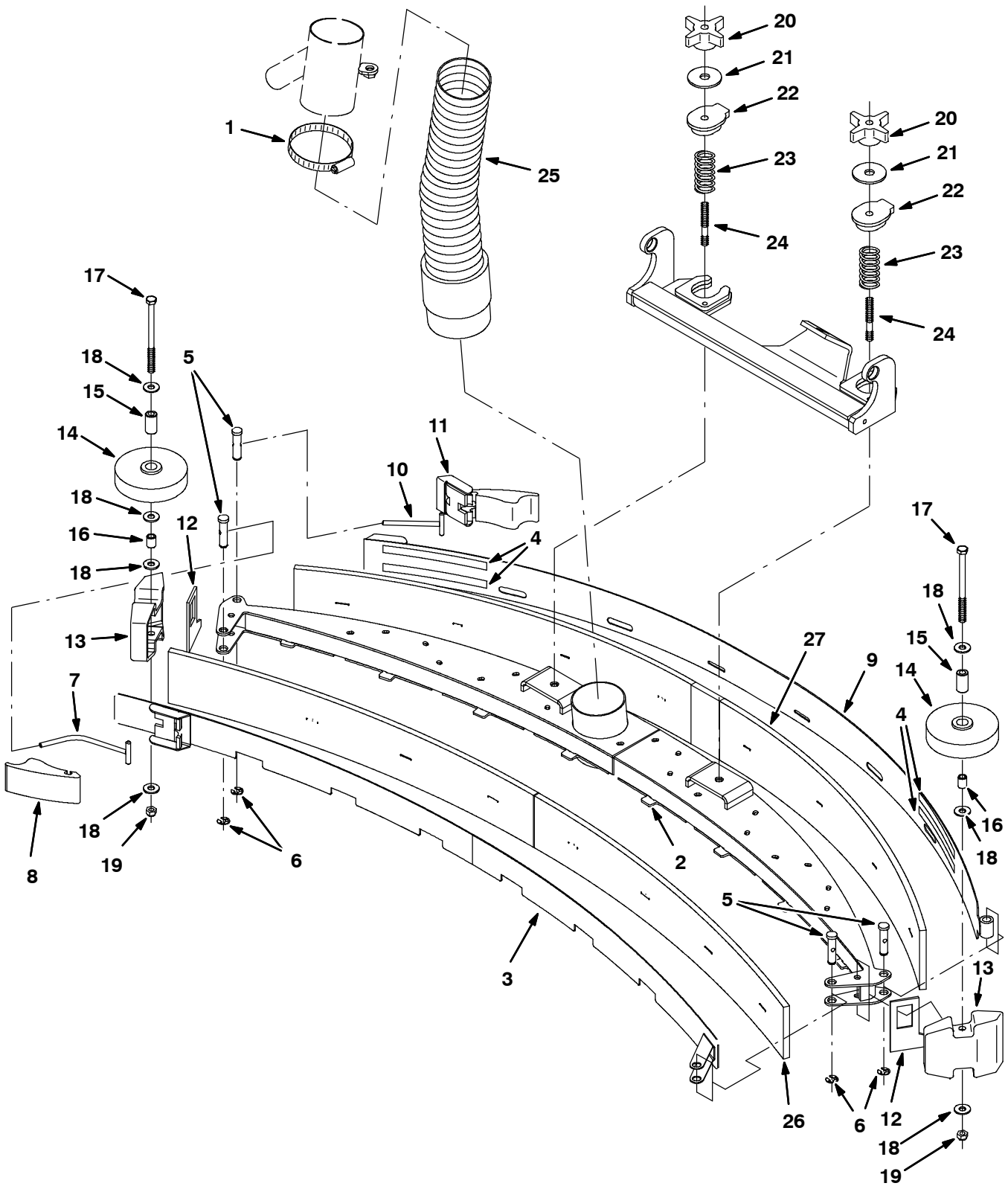


Fig. 34 - Squeegee Group, Rear

Ref.	Part No.	Serial Number	Description	Qty.
	1	43555	(000000- ) Clamp, Hose, Wormdrive, 2.50-3.50d, .50w	1
▽	9004493	(000000- )	Squeegee Kit, Rear, Replmt [M20/T20]	1
▲	2	1022831	(000000- ) Squeegee Wldt, Rear	1
▲	3	1023239	(000000- ) Clamp Wldt, Front	1
▲	4	03495	(000000- ) Strip, Non-Slip, 0.50w 06.0l	4
▲	5	21603	(000000- ) Pin, Grvd, 0.43d 01.8l [303ss]	4
▲	6	24555	(000000- ) Ring, Retaining, Ext, 0.38d, [E-Ring]	4
▲	7	386298	(000000- ) Pin Wldt, Front	1
▲	8	21601	(000000- ) Cam	1
▲	9	1028374	(000000- ) Clamp Wldt, Rear	1
▲	10	21606	(000000- ) Bar Wldt, Retainer, Sqge, Rear	1
▲	11	21602	(000000- ) Cam, Rear	1
▲	12	83874	(000000- ) Gasket, Sqge	2
▲	13	386264	(000000- ) Bumper, Sqge	2
▲	14	363162	(000000- ) Wheel, 4.0d 0.89w 0.64b	2
▲	15	363301	(000000- ) Sleeve, P/M, 0.34b 0.63d 1.2l, Bnz	2
▲	16	80395	(000000- ) Sleeve, P/M, 0.31b 0.50d 0.7l [430ss]	2
▲	17	364441	(000000- ) Screw, Hex, M8 X 1.25 X 110, Ss	2
▲	18	01685	(000000- ) Washer, Flat, 0.31, Ss	10
▲	19	08713	(000000- ) Nut, Hex, Lock, M8 X 1.25, NI, Ss	2
	20	370100	(000000- ) Knob, Star, 2.80d 4ear 1.1l .31-18 Pyp	2
	21	04414	(000000- ) Washer, Flat, 0.53b 1.88d .12, Stl, Pl	2
	22	387433	(000000- ) Ring, Mtg, Sqge, .50l	2
	23	387500	(000000- ) Spring, Cmpr, 0.9od .042wir 02.0l	2
	24	387237	(000000- ) Stud, .31-18 2.75l M8 X 1.25, Ss	2
	25	1021511	(000000- ) Hose, Vacuum, 19.0l	1
	26	1017868	(000000- ) Blade, Sqge, Front, 49.58l Linatex	1
	26	1027719	(000000- ) Blade, Sqge, Front, 49.58l Ure (Option)	1
	27	1031331	(000000- ) Blade, Sqge, Rear, Linatex	1
	27	1031945	(000000- ) Blade, Sqge, Rear, 53.78l Ure (Option)	1

**Fig. 35 - Squeegee Linkage Group, Rear**

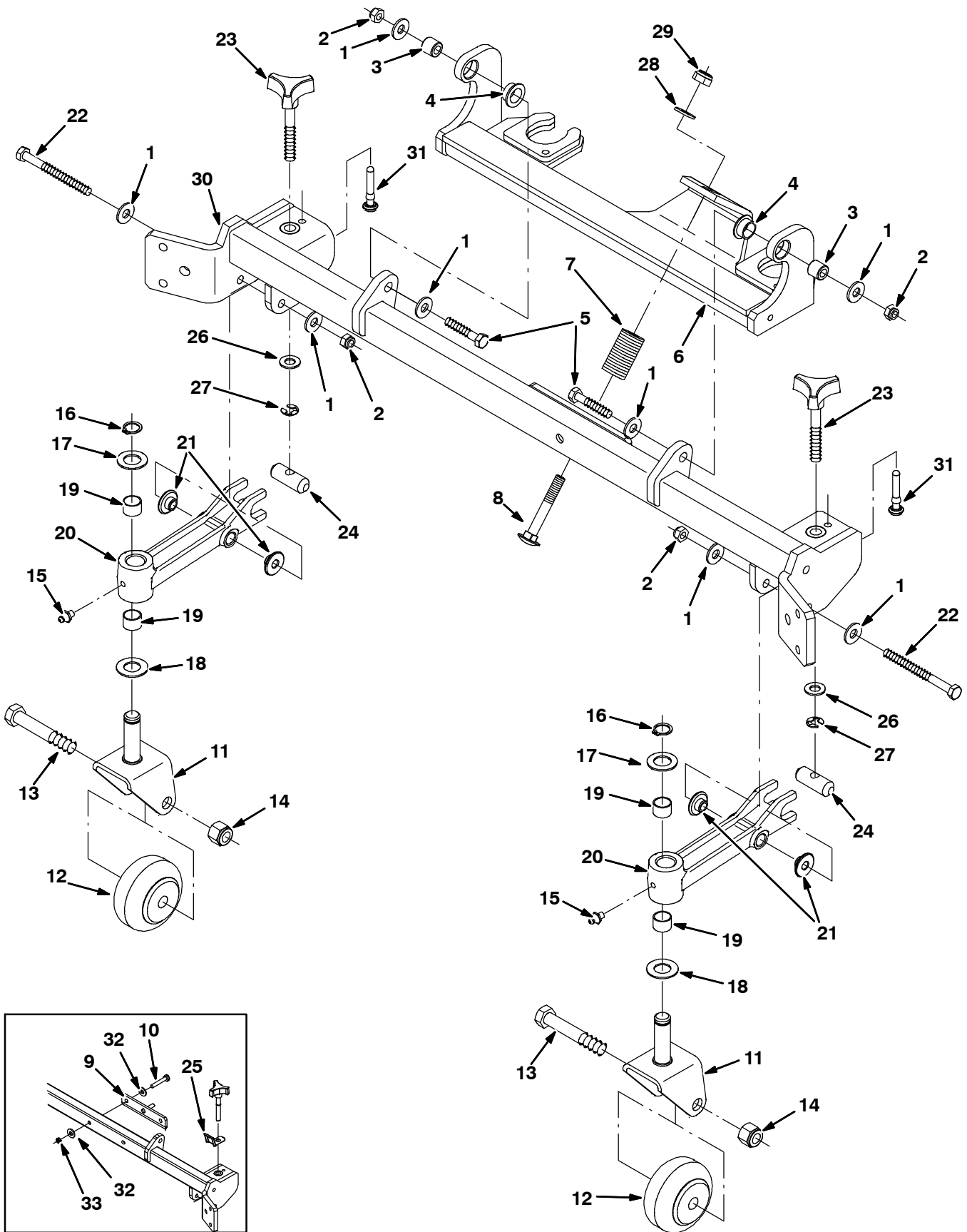


Fig. 35 - Squeegee Linkage Group, Rear

Ref.	Part No.	Serial Number	Description	Qty.
1	01685	(000000-	) Washer, Flat, 0.31, Ss	6
2	08713	(000000-	) Nut, Hex, Lock, M8 X 1.25, NI, Ss	4
3	80409	(000000-	) Sleeve, P/M, 0.34b 0.63d 0.6l, Bnz	2
4	25735	(000000-	) Bushing, Fling, 0.63b 0.75d 0.38l	2
5	222505	(000000-	) Screw, Hex, M8 X 1.25 X 45, Ss	2
6	1023476	(000000-	) Bracket Wldt, Mtg, Sqge	1
7	65180	(000000-	) Spring, Dsl, 1.00od 0.50id 1.7l	1
8	1025601	(000000-	) Bolt, Carriage, M10 X 1.5 X 70	1
9	1034147	(000000-002101	) Pin Wldt, Lift (Replaced by 9003478)	1
10	222505	(000000-002101	) Screw, Hex, M8 X 1.25 X 45, Ss	2
11	1021404	(000000-	) Bracket Wldt, Mtg, Caster	2
12	20833	(000000-	) Wheel, 3.0d 1.38w 0.50b	2
13	81952	(000000-	) Screw, Hex, .50-13 X 3.00, Ss18-8	2
14	02931	(000000-	) Nut, Hex, Lock, .50-13, NI, Ss	2
15	07259	(000000-	) Fitting, Grease, Str Pm04 .47l	2
16	33373	(000000-	) Ring, Retaining, Ext, 0.62d, Hd	2
17	63468	(000000-	) Washer, Flat, 0.69b 1.19d .06, Stl, Pl	2
18	64425	(000000-	) Washer, Thrust, 0.61b 1.25d .06, Fgl	2
19	07449	(000000-	) Bushing, Sleeve, 0.62b 0.72d 0.50l, Fgl	4
20	1025460	(000000-	) Caster, Pivot	2
21	80950	(000000-	) Bushing, Fling, 0.32b 0.50d 0.24l, Bnz	4
22	39281	(000000-	) Screw, Hex, M8 X 1.25 X 90, 8.8	2
23	1021546	(000000-	) Knob Assy, Star, 1.12d 3ear M10	2
24	1021497	(000000-	) Pin, 0.63d 01.8l, 1/M10h, 2cham	2
25	1022545	(000000-002049	) Spring, Keeper	2
26	32485	(000000-	) Washer, Flat, 0.38 Sae	2
27	24555	(000000-	) Ring, Retaining, Ext, 0.38d, [E-Ring]	2
28	1014563	(000000-	) Washer, Flat, 0.40b 1.12d .12, Ss	1
29	08714	(000000-	) Nut, Hex, Lock, M10 X 1.5, NI, Ss	1
30	1034149	(000000-	) Crossmember Wldt [M20]	1
31	1035727	(002050-	) Stop, Rotation	2
32	01685	(000000-002101	) Washer, Flat, 0.31, Ss	4
33	08713	(000000-002101	) Nut, Hex, Lock, M8 X 1.25, NI, Ss	2

Fig. 36 - Squeegee Group, Right Side

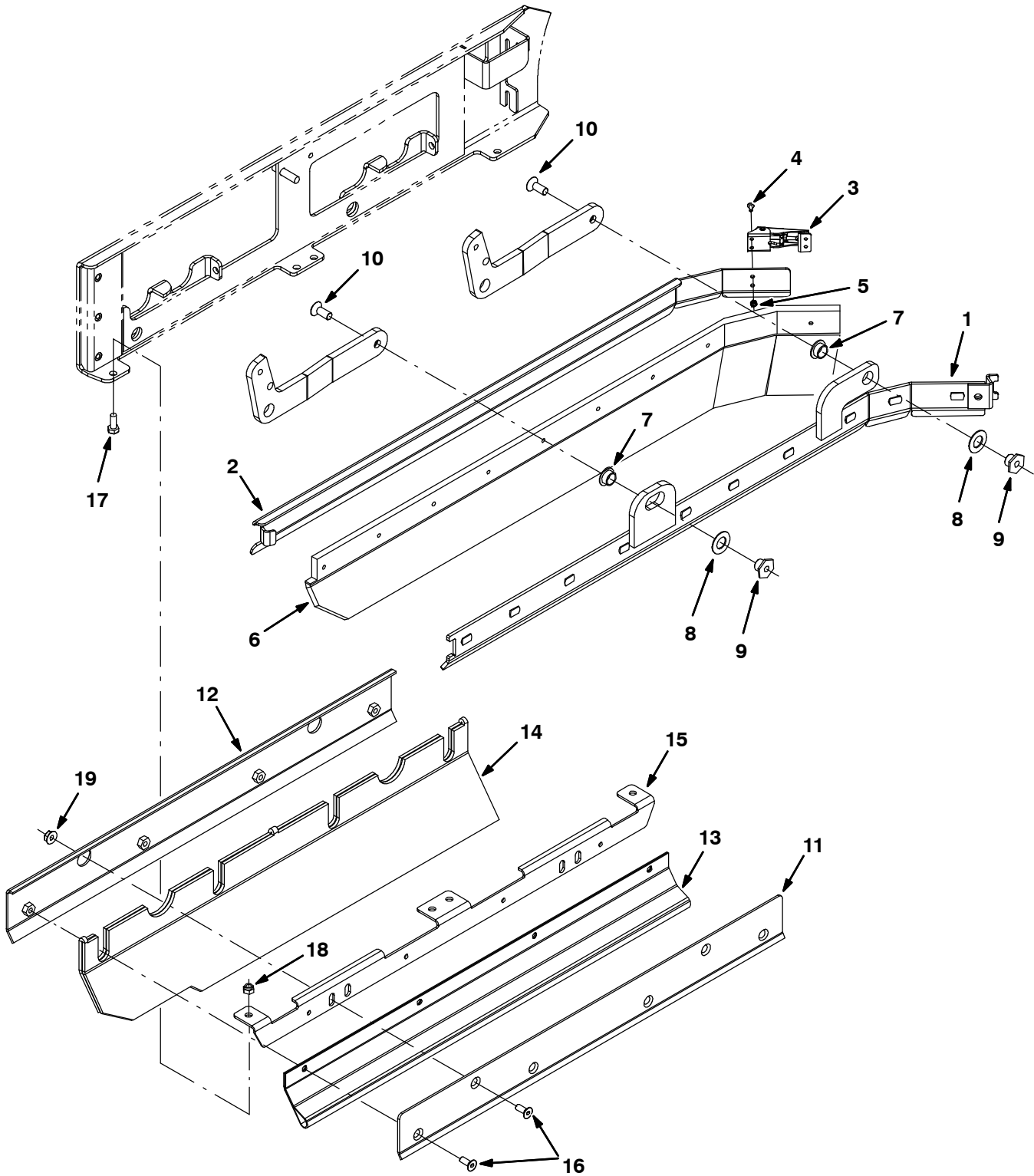


Fig. 36 - Squeegee Group, Right Side

Ref.	Part No.	Serial Number	Description	Qty.
1	1029132	(000000-	) Frame Wldt, Sqge, Rh	1
2	1029128	(000000-	) Retainer, Sqge, Side, Rh	1
3	384418	(000000-	) Latch, Door [Southco 91-562-07]	1
4	49697	(000000-	) Screw, Pan, M4 X 0.7 X 10, Ss	2
5	33932	(000000-	) Nut, Hex, Lock, M4 X 0.7, NI, Ss	2
6	1031011	(000000-	) Blade, Sqge, .38 3.55w 038.3l, Linatex	1
6	1031823	(000000-	) Blade, Sqge, .38 3.55w 038.3l, Ure (Option)	1
7	25735	(000000-	) Bushing, Flng, 0.63b 0.75d 0.38l	2
8	64425	(000000-	) Washer, Thrust, 0.61b 1.25d .06, Fgl	2
9	1022846	(000000-	) Nut, T, M10 X 1.50 X 15.8od X 13.0l	2
10	09081	(000000-	) Screw, Flt, M10 X 1.5 X 25, 10.9	2
11	1024584	(000000-	) Bracket, Mtg, Skirt, Brush Door	1
12	1024651	(000000-	) Bracket, Mtg, Skirt, Door	1
13	1024586	(000000-	) Skirt, Neo, .06, 06.85w 27.95l, 08 Hole	1
14	1019295	(000000-	) Skirt, Neo, .18, 10.37w 27.95l, 12 H&S	1
15	1025151	(000000-	) Bracket, Mtg, Skirt, Door, Brush	1
16	222463	(000000-	) Screw, Flt, M8 X 1.25 X 20, Blk	6
17	393135	(000000-	) Screw, Btn, M8 X 1.25 X 20, Blk	4
18	08713	(000000-	) Nut, Hex, Lock, M8 X 1.25, NI, Ss	4
19	07791	(000000-	) Nut, Hex, Flng, M8 X 1.25	2

**Fig. 37 - Squeegee Lift Group, Right Side**

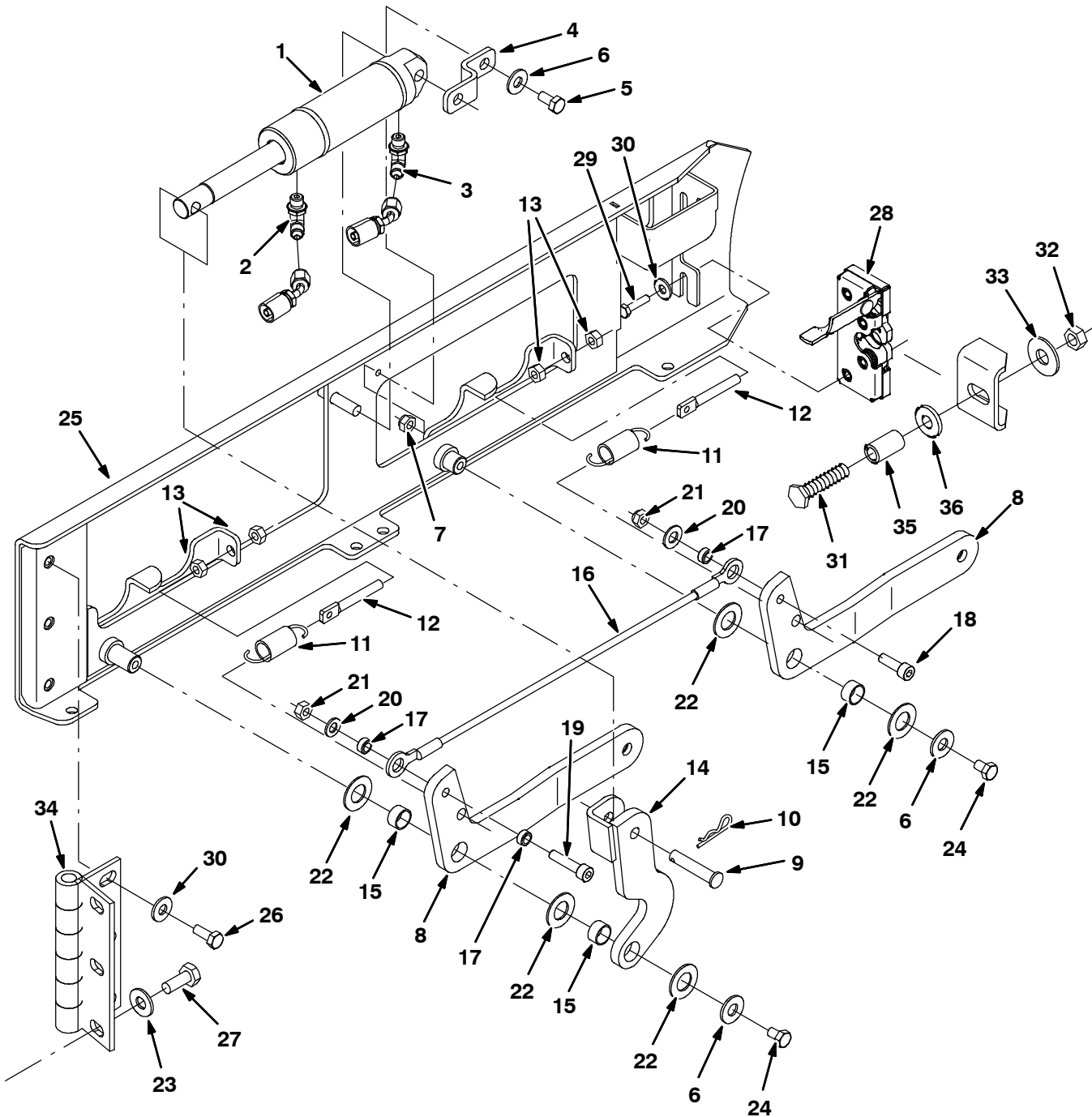




Fig. 37 - Squeegee Lift Group, Right Side

Ref.	Part No.	Serial Number	Description	Qty.
1	1038137	(000000-	) Cylinder, Hyd, 1.5b 07.8l 02.80strk 2500	1
2	77097	(000000-	) Fitting, Hyd, E90, Jm04/Om04	1
3	1028635	(000000-	) Fitting, Hyd, Rst, Spcl	1
4	1022825	(000000-	) Bracket, Mtg, Cyl	1
5	09740	(000000-	) Screw, Hex, M8 X 1.25 X 20, Ss	1
6	01685	(000000-	) Washer, Flat, 0.31, Ss	3
7	08713	(000000-	) Nut, Hex, Lock, M8 X 1.25, NI, Ss	1
8	1020548	(000000-	) Arm, Sqge, Side, Rh	2
9	17461	(000000-	) Pin, Clevis, 0.37D X 1.75L	1
10	08182	(000000-	) Pin, Cotter, .125 X 1.00	1
11	87816	(000000-	) Spring, Extn, 0.75od X 0.09wir, 2.5l	2
12	386088	(000000-	) Bolt, Eye, M08 X 1.25 X 070mm, 05.50 Eye	2
13	07786	(000000-	) Nut, Hex, Std, M8 X 1.25, Ss	4
14	1023306	(000000-	) Arm Wldt, Sqge, Lift, Rh	1
15	71607	(000000-	) Bushing, Sleeve, 0.63b 0.72d 0.38l	3
16	81784	(000000-	) Cable, Glv .13d 015.8l .50eye /.50eye	1
17	360801	(000000-	) Sleeve, 0.31b 0.50d 0.3l, Ss	3
18	39308	(000000-	) Screw, Soc, M8 X 1.25 X 25, 12.9	1
19	41445	(000000-	) Screw, Soc, M8 X 1.25 X 35, 12.9	1
20	39349	(000000-	) Washer, Flat, 0.31 Sae	2
21	08709	(000000-	) Nut, Hex, Lock, M8 X 1.25, NI	2
22	64425	(000000-	) Washer, Thrust, 0.61b 1.25d .06, Fgl	5
23	41187	(000000-	) Washer, Flat, Belleville, .38	3
24	09740	(000000-	) Screw, Hex, M8 X 1.25 X 20, Ss	2
25	1019031	(000000-	) Door Wldt, Brush, Rh	1
26	09028	(000000-	) Screw, Hex, M10 X 1.5 X 25, Ss	3
27	09740	(000000-	) Screw, Hex, M8 X 1.25 X 20, Ss	3
28	59194	(000000-	) Latch, Hook	1
29	09007	(000000-	) Screw, Hex, M6 X 1.0 X 25, Ss	2
30	41185	(000000-	) Washer, Flat, Belleville, .25	5
31	379870	(000000-	) Screw, Hex, M12 X 1.75 X 55, Ss	1
32	07788	(000000-	) Nut, Hex, Std, M12 X 1.75, Ss	1
33	41619	(000000-	) Washer, Flat, 0.56b 1.38d .11, Ss	1
34	1024576	(000000-	) Hinge, .50pin .19 4.0w 06.0l 3/0.44sl	1
35	36328	(000000-	) Washer, Flat, Belleville, .50	1
36	1039348	(000000-	) Sleeve, 0.49b 0.68d 1.2l [304ss]	1

Fig. 38 - Squeegee Group, Left Side

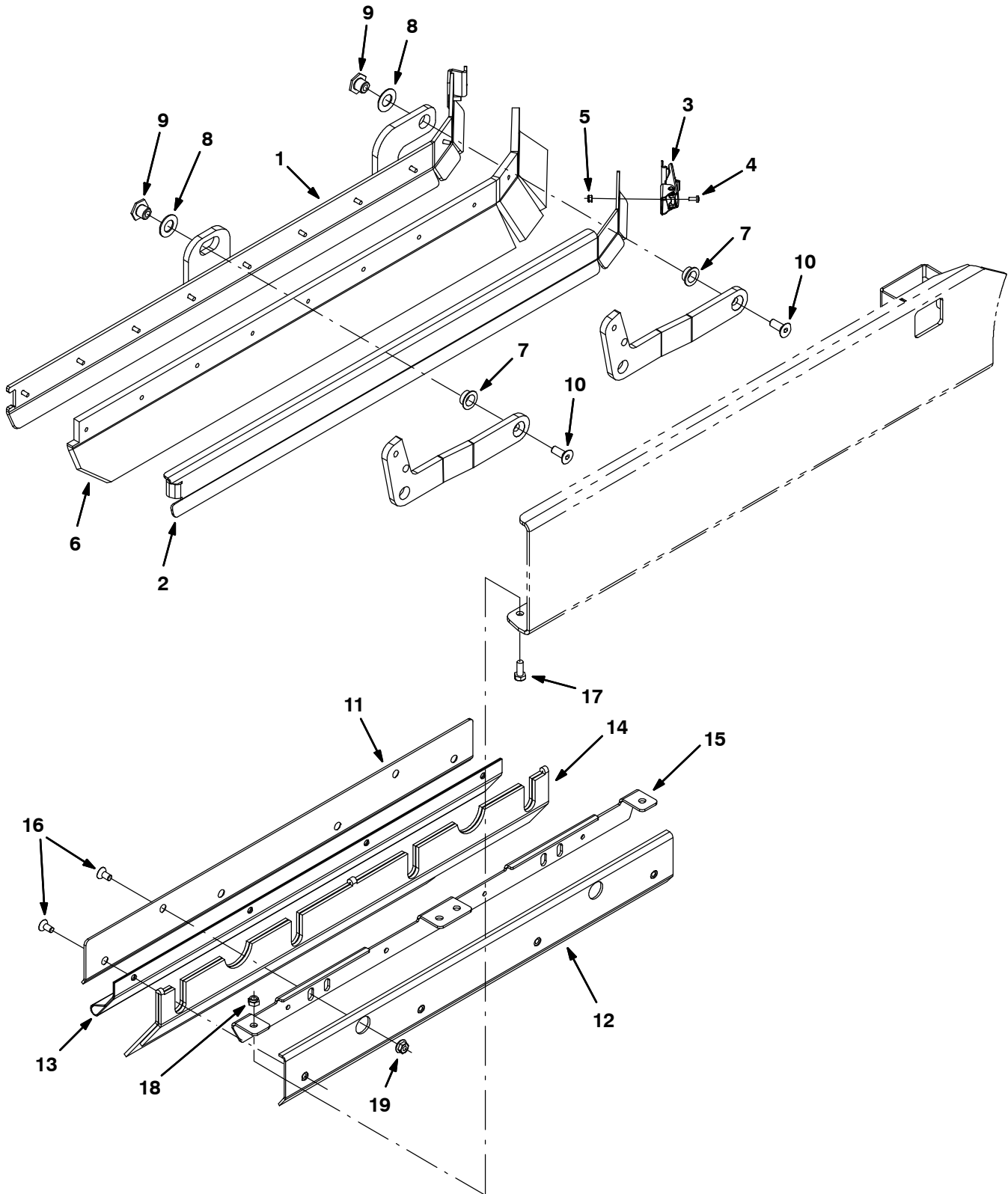


Fig. 38 - Squeegee Group, Left Side

Ref.	Part No.	Serial Number	Description	Qty.
1	1028972	(000000-	) Frame Wldt, Sqge, Lh	1
2	1028979	(000000-	) Retainer, Sqge, Side, Lh	1
3	384418	(000000-	) Latch, Door [Southco 91-562-07]	1
4	49697	(000000-	) Screw, Pan, M4 X 0.7 X 10, Ss	2
5	33932	(000000-	) Nut, Hex, Lock, M4 X 0.7, NI, Ss	2
6	1031011	(000000-	) Blade, Sqge, .38 3.55w 038.3l, Linatex	1
6	1031823	(000000-	) Blade, Sqge, .38 3.55w 038.3l, Ure (Option)	1
7	25735	(000000-	) Bushing, Flng, 0.63b 0.75d 0.38l	2
8	64425	(000000-	) Washer, Thrust, 0.61b 1.25d .06, Fgl	2
9	1022846	(000000-	) Nut, T, M10 X 1.50 X 15.8od X 13.0l	1
10	09081	(000000-	) Screw, Flt, M10 X 1.5 X 25, 10.9	2
11	1024584	(000000-	) Bracket, Mtg, Skirt, Brush Door	1
12	1024651	(000000-	) Bracket, Mtg, Skirt, Door	1
13	1024586	(000000-	) Skirt, Neo, .06, 06.85w 27.95l, 08 Hole	1
14	1019295	(000000-	) Skirt, Neo, .18, 10.37w 27.95l, 12 H&S	1
15	1025151	(000000-	) Bracket, Mtg, Skirt, Door, Brush	1
16	222463	(000000-	) Screw, Flt, M8 X 1.25 X 20, Blk	6
17	393135	(000000-	) Screw, Btn, M8 X 1.25 X 20, Blk	4
18	08713	(000000-	) Nut, Hex, Lock, M8 X 1.25, NI, Ss	4
19	07791	(000000-	) Nut, Hex, Flng, M8 X 1.25	2

Fig. 39 - Squeegee Lift Group, Left Side

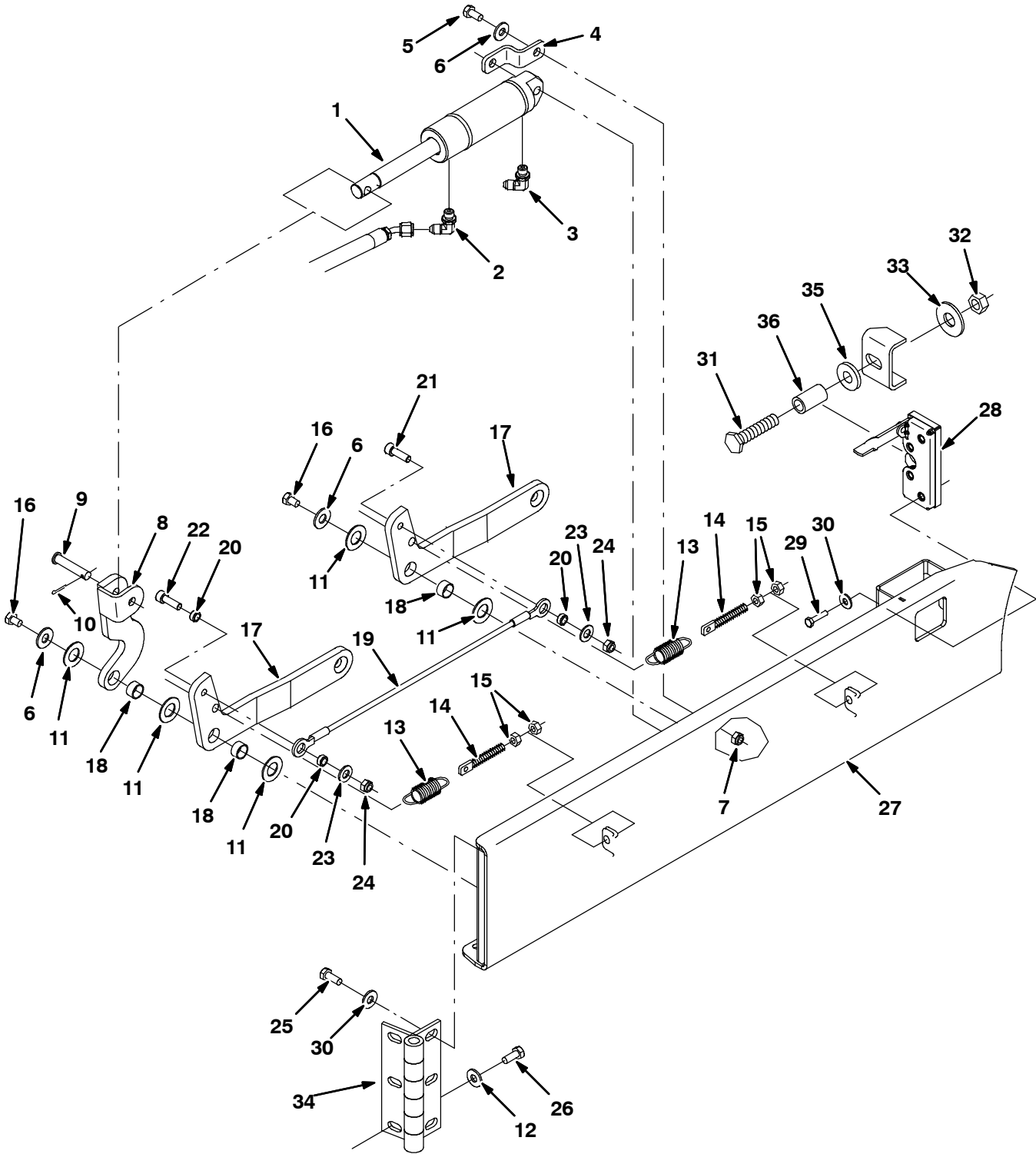


Fig. 39 - Squeegee Lift Group, Left Side

Ref.	Part No.	Serial Number	Description	Qty.
1	1038137	(000000-	) Cylinder, Hyd, 1.5b 07.8l 02.80strk 2500	1
2	77097	(000000-	) Fitting, Hyd, E90, Jm04/Om04	1
3	1028635	(000000-	) Fitting, Hyd, Rst, Spcl	1
4	1022825	(000000-	) Bracket, Mtg, Cyl	1
5	09740	(000000-	) Screw, Hex, M8 X 1.25 X 20, Ss	1
6	01685	(000000-	) Washer, Flat, 0.31, Ss	3
7	08713	(000000-	) Nut, Hex, Lock, M8 X 1.25, NI, Ss	1
8	1022978	(000000-	) Arm Wldt, Lift, Sqge, Lh	1
9	17461	(000000-	) Pin, Clevis, 0.37D X 1.75L	1
10	08182	(000000-	) Pin, Cotter, .125 X 1.00	1
11	64425	(000000-	) Washer, Thrust, 0.61b 1.25d .06, Fgl	5
12	41187	(000000-	) Washer, Flat, Belleville, .38	3
13	87816	(000000-	) Spring, Extn, 0.75od X 0.09wir, 2.5l	2
14	386088	(000000-	) Bolt, Eye, M08 X 1.25 X 070mm, 05.50 Eye	2
15	07786	(000000-	) Nut, Hex, Std, M8 X 1.25, Ss	4
16	09740	(000000-	) Screw, Hex, M8 X 1.25 X 20, Ss	2
17	1023307	(000000-	) Arm, Sqge, Side, Lh	2
18	71607	(000000-	) Bushing, Sleeve, 0.63b 0.72d 0.38l	3
19	81784	(000000-	) Cable, Glv .13d 015.8l .50eye /.50eye	1
20	360801	(000000-	) Sleeve, 0.31b 0.50d 0.3l, Ss	3
21	39308	(000000-	) Screw, Soc, M8 X 1.25 X 25, 12.9	1
22	41445	(000000-	) Screw, Soc, M8 X 1.25 X 35, 12.9	1
23	39349	(000000-	) Washer, Flat, 0.31 Sae	2
24	08709	(000000-	) Nut, Hex, Lock, M8 X 1.25, NI	2
25	09028	(000000-	) Screw, Hex, M10 X 1.5 X 25, Ss	3
26	09740	(000000-	) Screw, Hex, M8 X 1.25 X 20, Ss	6
27	1023314	(000000-	) Door Wldt, Brush, Lh	1
28	59195	(000000-	) Latch, Hook	1
29	09007	(000000-	) Screw, Hex, M6 X 1.0 X 25, Ss	2
30	41185	(000000-	) Washer, Flat, Belleville, .25	5
31	379870	(000000-	) Screw, Hex, M12 X 1.75 X 55, Ss	1
32	07788	(000000-	) Nut, Hex, Std, M12 X 1.75, Ss	1
33	41619	(000000-	) Washer, Flat, 0.56b 1.38d .11, Ss	1
34	1024576	(000000-	) Hinge, .50pin .19 4.0w 06.0l 3/0.44sl	1
35	36328	(000000-	) Washer, Flat, Belleville, .50	1
36	1039348	(000000-	) Sleeve, 0.49b 0.68d 1.2l [304ss]	1

**Fig. 40 - Solution Tank Group**

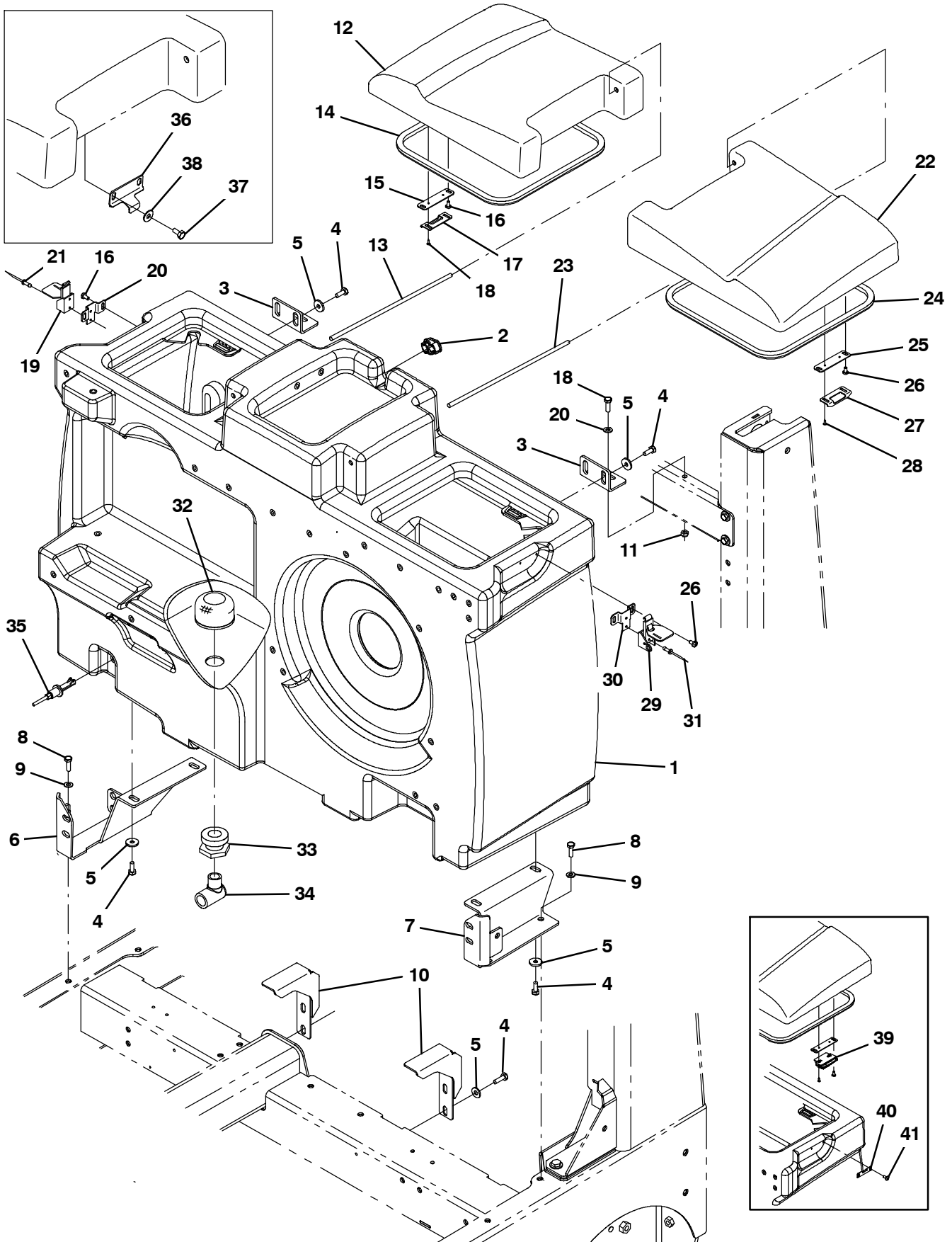


Fig. 40 - Solution Tank Group

Ref.	Part No.	Serial Number	Description	Qty.
1	1027381	(002413-	) Tank, Soltn, W/ Label [M20]	1
1	9004117	(000000-002412	) Tank Kit, Soltn, W/ Bracket, Replmt	1
2	390994	(000000-	) Plug, Hole, Soltn Tank, Blk Pyu	1
3	1020209	(000000-	) Angle, Sppt, Tank, Rear	2
4	09740	(000000-	) Screw, Hex, M8 X 1.25 X 20, Ss	12
5	1017218	(000000-	) Washer, Flat, 0.32b 1.00d .12, Ss	12
6	1040306	(000000-	) Bracket Wldt, Tank, Soltn, Rh	1
7	1024591	(000000-	) Bracket, Tank, Soltn, Lh	1
8	09010	(000000-	) Screw, Hex, M8 X 1.25 X 25, Ss	4
9	39349	(000000-	) Washer, Flat, 0.31 Sae	4
10	1024389	(000000-	) Bracket, Soltn, Tank, Cntr	2
11	08713	(000000-	) Nut, Hex, Lock, M8 X 1.25, NI, Ss	2
▽	9003069	(000000-	) Cover Kit, Soltn Tank, Rh [M20 & T20]	1
▲	12 1022176	(000000-	) Cover, Tank, Soltn, Rh, Trimmed	1
▲	13 1047098	(000000-	) Bar, Rnd, Plstc, 0.31d 12.5l	1
▲	14 1038805	(000000-	) Seal, Bulb, Str, .50Hi .50W 047.2L, Adh	1
▲	15 1039757	(002426-	) Plate, Mtg, Latch	1
▲	16 382320	(000000-	) Screw, Pan, Phl, 12-16 X 0.50, F/ Plstc	4
▲	17 1048474	(002798-	) Catch, Latch, Tank Cover	1
▲	18 222267	(002798-	) Screw, Pan, Phl, 06-20 X 0.50, Fmg/Ab	2
▲	19 367949	(002798-	) Latch	1
▲	20 1048512	(002798-	) Bracket, Mtg, Latch, Tank Cover	1
▲	21 08875	(002798-	) Rivet, Blind, .125d X 0.54 X .25d, Alm	2
▽	9003071	(000000-	) Cover Kit, Tank, Soltn, Rh, Replmt, Ce (Japan and CE Only)	1
▲	12 1031233	(000000-	) Cover, Tank, Soltn, Rh, Trimmed, Ce (Japan and CE Only)	1
▲	13 1047098	(000000-	) Bar, Rnd, Plstc, 0.31d 12.5l	1
▲	14 1038805	(000000-	) Seal, Bulb, Str, .50Hi .50W 047.2L, Adh	1
▲	15 1039757	(002426-	) Plate, Mtg, Latch	1
▲	16 382320	(000000-	) Screw, Pan, Phl, 12-16 X 0.50, F/ Plstc	4
▲	17 1048474	(002798-	) Catch, Latch, Tank Cover	1
▲	18 222267	(002798-	) Screw, Pan, Phl, 06-20 X 0.50, Fmg/Ab	2
▲	19 367949	(002798-	) Latch	1
▲	20 1048512	(002798-	) Bracket, Mtg, Latch, Tank Cover	1
▲	21 08875	(002798-	) Rivet, Blind, .125d X 0.54 X .25d, Alm	2

# STANDARD PARTS

Fig. 40 - Solution Tank Group

Ref.	Part No.	Serial Number	Description	Qty.
▽	9003068	(000000-	) Cover Kit, Tank, Soltn, Lh, Replmt	1
▲	22 1022182	(000000-	) Cover, Tank, Soltn, Lh, Trimmed	1
▲	23 1047098	(000000-	) Bar, Rnd, Plstc, 0.31d 12.5l	1
▲	24 1038805	(000000-	) Seal, Bulb, Str, .50Hi .50W 047.2L, Adh	1
▲	25 1039757	(002426-	) Plate, Mtg, Latch	1
▲	26 382320	(000000-	) Screw, Pan, Phl, 12-16 X 0.50, F/ Plstc	4
▲	27 1048474	(002798-	) Catch, Latch, Tank Cover	1
▲	28 222267	(002798-	) Screw, Pan, Phl, 06-20 X 0.50, Fmg/Ab	2
▲	29 367949	(002798-	) Latch	1
▲	30 1048512	(002798-	) Bracket, Mtg, Latch, Tank Cover	1
▲	31 08875	(002798-	) Rivet, Blind, .125d X 0.54 X .25d, Alm	2
▽	9003070	(000000-	) Cover Kit, Tank, Soltn, Lh, Replmt, Ce (Japan and CE Only)	1
▲	22 1031235	(000000-	) Cover, Tank, Soltn, Lh, Trimmed, Ce (Japan and CE Only)	1
▲	23 1047098	(000000-	) Bar, Rnd, Plstc, 0.31d 12.5l	1
▲	24 1038805	(000000-	) Seal, Bulb, Str, .50Hi .50W 047.2L, Adh	1
▲	25 1039757	(002426-	) Plate, Mtg, Latch	1
▲	26 382320	(000000-	) Screw, Pan, Phl, 12-16 X 0.50, F/ Plstc	4
▲	27 1048474	(002798-	) Catch, Latch, Tank Cover	1
▲	28 222267	(002798-	) Screw, Pan, Phl, 06-20 X 0.50, Fmg/Ab	2
▲	29 367949	(002798-	) Latch	1
▲	30 1048512	(002798-	) Bracket, Mtg, Latch, Tank Cover	1
▲	31 08875	(002798-	) Rivet, Blind, .125d X 0.54 X .25d, Alm	2
	32 1027290	(000000-	) Filter, Soltn, 20mesh, Pm12 3.1d 02.6l	1
	33 377349	(000000-	) Fitting, Plstc, Pf12/Pf12, Bh	1
	34 69785	(000000-	) Fitting, Plstc, E90, Pf12/Pm12	1
	35 385685	(000000-	) Sensor, Level, Liq, 14vdc 01a .62-11	1
	36 1020428	(000000-002425 )	Bracket, Latch, Cover	2
	37 09744	(000000-002425 )	Screw, Hex, M6 X 1.00 X 12, Ss	4
	38 01684	(000000-002425 )	Washer, Flat, 0.27b 0.69d .05, Ss	4
	39 1030617	(002426-002797 )	Latch, Cover	2
	40 1029748	(002426-002797 )	Bracket, Keeper, Latch	2
	41 382320	(002426-002797 )	Screw, Pan, Phl, 12-16 X 0.50, F/ Plstc	4





Fig. 41 - Solution Tank Drain Group

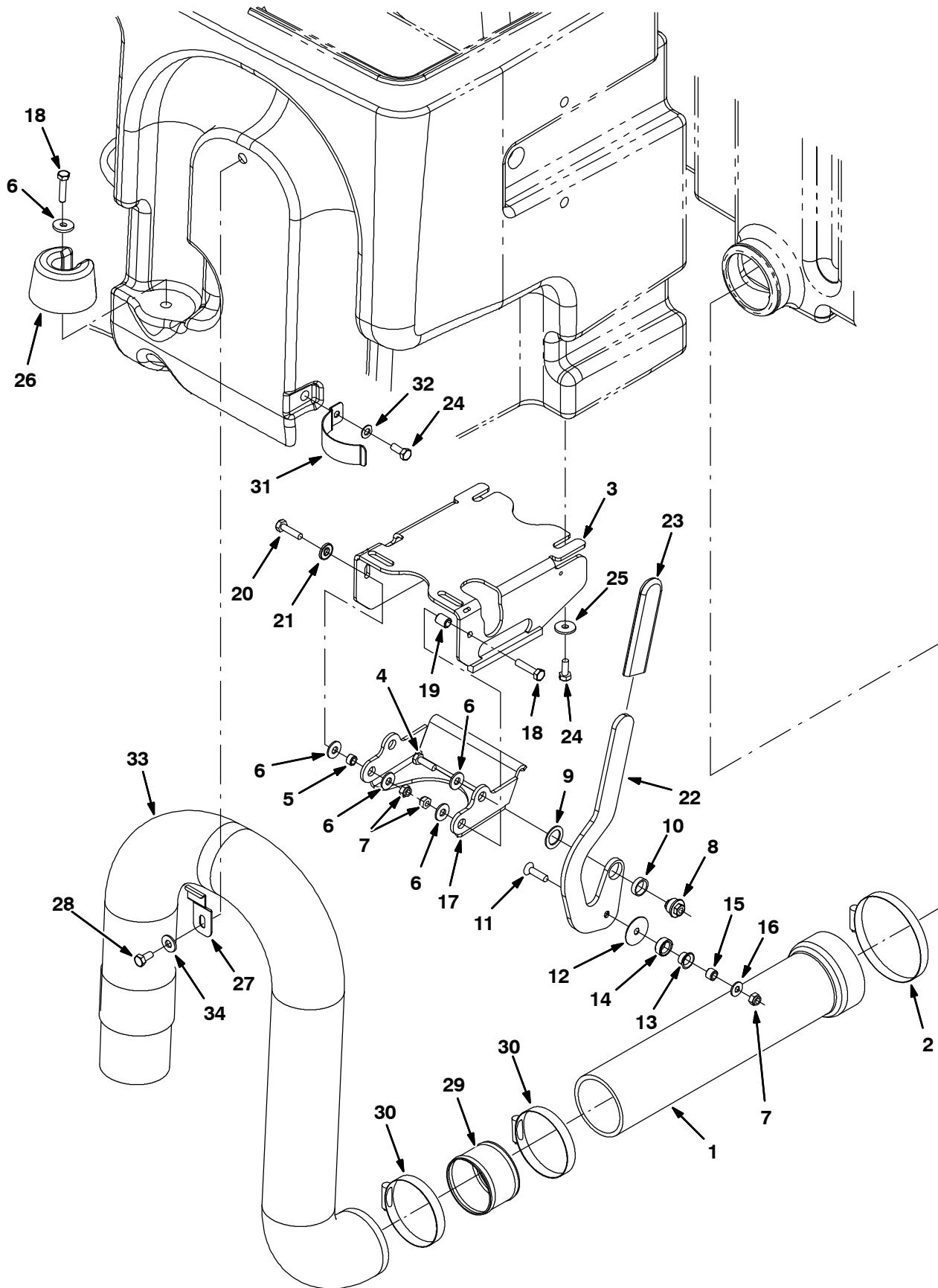


Fig. 41 - Solution Tank Drain Group

Ref.	Part No.	Serial Number	Description	Qty.
1	9003793	(000000-	) Tube Kit, Tank, Soltn, Replmt	1
2	23498	(000000-	) Clamp, Hose, Wormdrive, 3.56-4.50d, .50w	1
3	1042003	(000000-	) Mount Wldt, Valve, Pinch, Rh	1
4	39277	(000000-	) Screw, Hex, M8 X 1.25 X 25, 8.8	1
5	222516	(000000-	) Sleeve, P/M, 0.31b 0.50d 0.3l [430ss]	1
6	32491	(000000-	) Washer, Flat, 0.31, Std	5
7	08713	(000000-	) Nut, Hex, Lock, M8 X 1.25, NI, Ss	3
8	1024599	(000000-	) Bushing, Eccentric, Adj	1
9	1026051	(000000-	) Washer, Flat, 0.79b 1.18d .06, Nyl	1
10	74090	(000000-	) Bushing, Sleeve, 0.75b 0.88d 0.25l	1
11	79506	(000000-	) Screw, Flt, M8 X 1.25 X 30, Ss	1
12	1028701	(000000-	) Washer, Thrust, 0.34b 1.50d .06	1
13	15648	(000000-	) Bushing, Flng, 0.50b 0.59d 0.38l	1
14	1028691	(000000-	) Roller, Brg	1
15	1028690	(000000-	) Tube, 0.50d 0.32b 00.4l, Ss	1
16	1017218	(000000-	) Washer, Flat, 0.32b 1.00d .12, Ss	1
17	1024535	(000000-	) Arm, Pinch	1
18	06955	(000000-	) Screw, Hex, M8 X 1.25 X 35, 8.8	2
19	80395	(000000-	) Sleeve, P/M, 0.31b 0.50d 0.7l [430ss]	1
20	76570	(000000-	) Screw, Hex, M8 X 1.25 X 30, 8.8	1
21	41186	(000000-	) Washer, Flat, Belleville, .31	1
22	1026727	(000000-	) Handle, Valve, Pinch, Rh	1
23	1023502	(000000-	) Grip, Handle	1
24	09740	(000000-	) Screw, Hex, M8 X 1.25 X 20, Ss	5
25	1017218	(000000-	) Washer, Flat, 0.32b 1.00d .12, Ss	4
26	1022137	(000000-	) Plug, Hose, Pyu	1
27	1025480	(000000-	) Bracket, Retaining, Hose	1
28	15675	(000000-	) Screw, Hex, M8 X 1.25 X 16, Ss	1
29	1041953	(000000-	) Tube, 2.90id 3.00od 02.4l, Ss	2
30	43555	(000000-	) Clamp, Hose, Wormdrive, 2.50-3.50d, .50w	2
31	1024558	(000000-	) Strap, Retaining, Hose	1
32	39349	(000000-	) Washer, Flat, 0.31 Sae	1
33	1019424	(000000-	) Hose, Drain, 3.00id X 48.0l	1
34	01685	(000000-	) Washer, Flat, 0.31, Ss	2

**Fig. 42 - Solution Control Group**

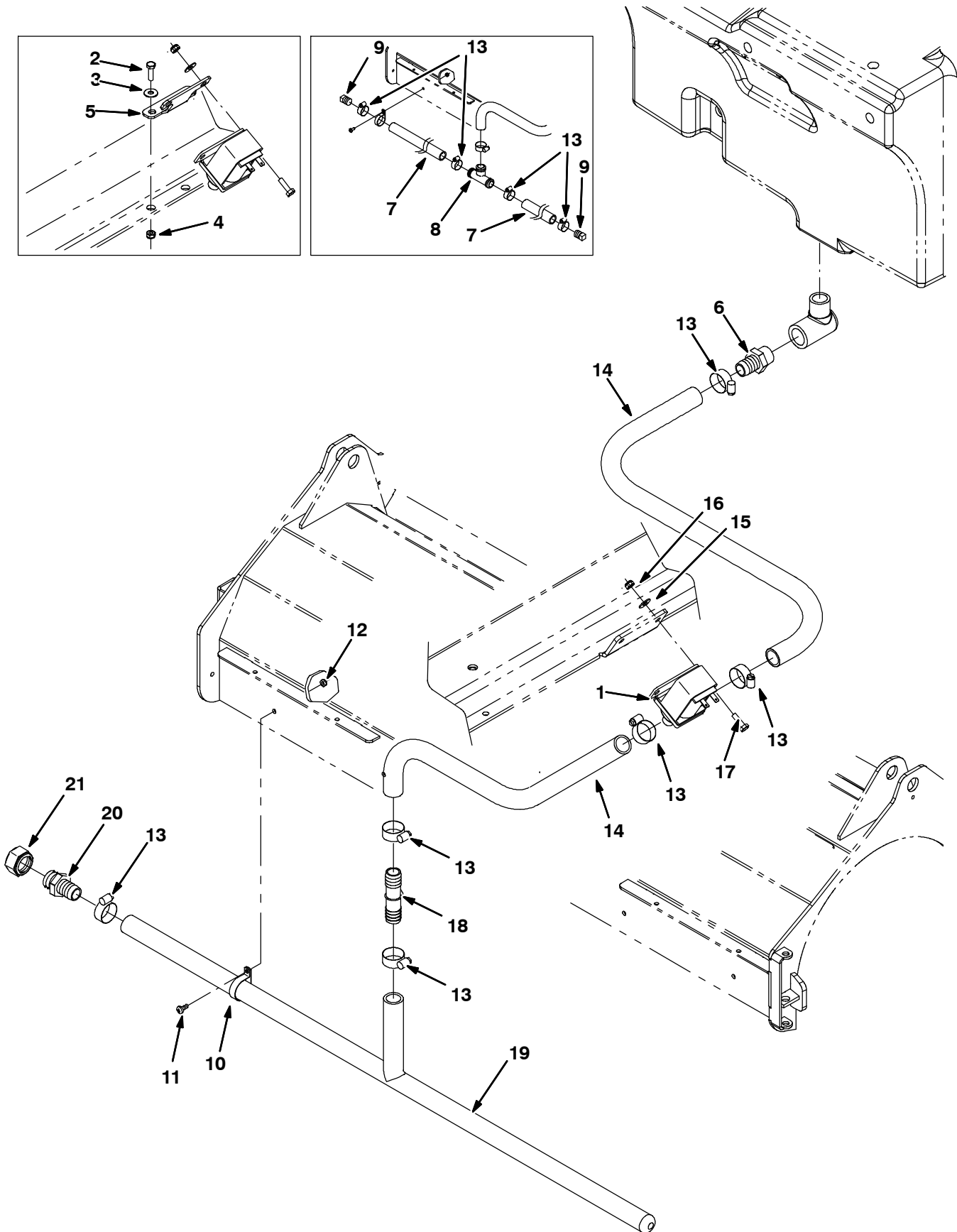


Fig. 42 - Solution Control Group

Ref.	Part No.	Serial Number	Description	Qty.
1	1022088	(000000-	) Valve Assy, Water, Solenoid , 12vdc	1
2	08716	(000000-002241	) Screw, Hex, M6 X 1.0 X 20, Ss	2
3	01684	(000000-002241	) Washer, Flat, 0.25, Ss	2
4	08712	(000000-002241	) Nut, Hex, Lock, M6 X 1.0, Ss, NI	2
5	1028074	(000000-002241	) Bracket, Mtg, Valve	1
6	79273-2	(000000-	) Fitting, Plstc, Str, Bm12/Pm12	1
7	1029185	(000000-002143	) Tube, Distribution, Water	2
8	41315	(000000-002143	) Fitting, Plstc, Tee, Bm12/Bm12/Bm12	1
9	17521	(000000-002143	) Fitting, Pipe, Plug, Pm08, Sq Head	2
10	50544	(000000-	) Clamp, Cable, Ss, 1.12d X 0.38w, 1h	6
11	09200	(000000-	) Screw, Pan, M5 X 0.8 X 12, Ss	6
12	09739	(000000-	) Nut, Hex, Lock, M5 X 0.8, NI, Ss	6
13	63810	(000000-	) Clamp, Hose, Wormdrive, 0.56-1.06d, .56w	8
14	1015045	(000000-	) Hose, Afmkt, Pvc, Brd 0.75id 08ft	1
15	01684	(000000-	) Washer, Flat, 0.25, Ss	2
16	08712	(000000-	) Nut, Hex, Lock, M6 X 1.0, Ss, NI	2
17	08716	(000000-	) Screw, Hex, M6 X 1.0 X 20, Ss	2
18	1038074	(002144-	) Fitting, Plstc, Str, Bm12/Bm12	1
19	1036997	(002144-	) Manifold, Bar, Spray, 37.5inch	1
20	79273-2	(002144-	) Fitting, Plstc, Str, Bm12/Pm12	1
21	1039064	(002144-	) Fitting, Plstc, Cap, Pf12 Hex	1

Fig. 43 - Recovery Tank Group

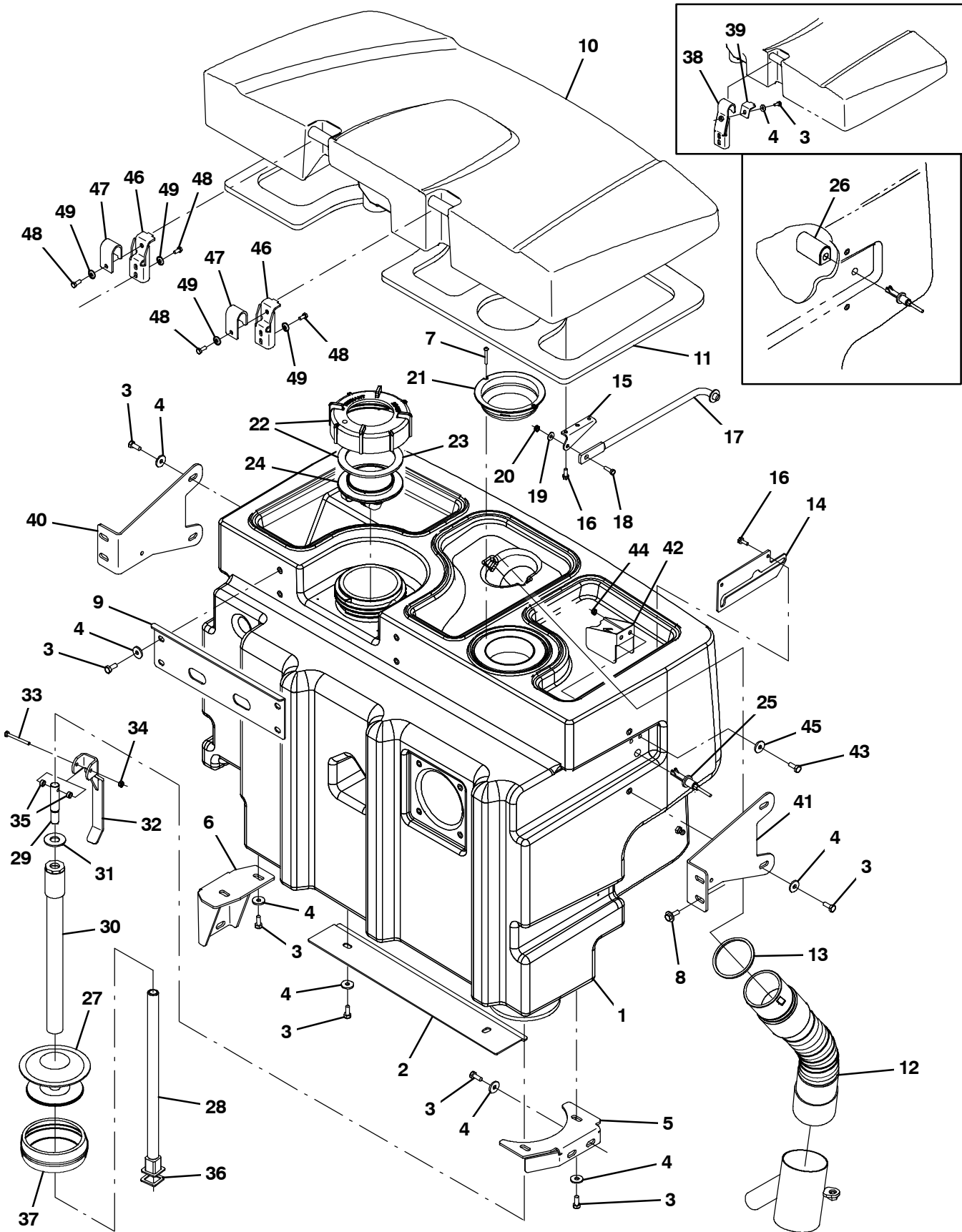


Fig. 43 - Recovery Tank Group

Ref.	Part No.	Serial Number	Description	Qty.
1	1021419	(000000-	) Tank, Recvy, Trimmed	1
2	1024403	(000000-	) Plate, Tank, Bottom	1
3	09740	(000000-	) Screw, Hex, M8 X 1.25 X 20, Ss	17
4	1017218	(000000-	) Washer, Flat, 0.32b 1.00d .12, Ss	15
5	1020335	(000000-	) Bracket, Sppt, Tank, Lh	1
6	1020331	(000000-	) Bracket, Sppt, Tank, Rh	1
7	382320	(000000-	) Screw, Pan, #12-16 X 0.50, F/ Plstc	2
8	1037346	(000000-	) Screw, Hex, M8 X 1.25 X 25, 9.8, Sems	4
9	1021090	(000000-	) Plate, Sppt, Tank	1
10	1022167	(000000-	) Cover, Tank, Recvy, Trimmed	1
11	1021879	(000000-	) Gasket, Cover, Recvy Tank	1
12	1031610	(000000-	) Hose Assy, Sqge	1
13	1021920	(000000-	) Gasket, 3.23id 3.63od .16th, Ure	1
14	1025620	(000000-	) Plate, Mtg, Prop Rod	1
15	1025619	(000000-	) Bracket, Mtg, Prop Rod	1
16	1046798	(000000-	) Screw, Hex, .25-14 X 0.75, Fmg/Ab, Ss	4
17	54615	(000000-	) Arm Wldt, Safety, Sppt, Seat, .38d 10.1l	1
18	08716	(000000-	) Screw, Hex, M6 X 1.0 X 20, Ss	1
19	01684	(000000-	) Washer, Flat, 0.25, Ss	1
20	08712	(000000-	) Nut, Hex, Lock, M6 X 1.0, Ss, NI	1
21	1026014	(000000-	) Screen, Vacuum	1
▽	22	24358	(000000-) Cap Assy, Tank, Drain	1
▲	23	1031699	(000000-) Gasket, 4.05id 5.29od .19 [Buna]	1
	24	86636	(000000-) Cover, Tank	1
	25	385685	(000000-) Sensor, Level, Liq, 14vdc 01a .62-11	1
	26	9003449	(000000-002024) Cover Kit, Switch, Float, Repair	1
▽		9003313	(000000-) Plug Kit, Drain, Recvy, Ci [M20 & T20]	1
▲	27	1022370	(000000-) Plug, Drain, Expandable, 4.75-6.00	1
▲	28	1028328	(000000-) Tube Wldt, Plug, Drain	1
▲	29	1028173	(000000-) Pin, Lift, Drain	1
▲	30	1028570	(000000-) Tube Assy, Plug, Drain	1
▲	31	1028522	(000000-) Washer, Flat, .78b 1.75d .18, Ss	1
▲	32	1028211	(000000-) Handle Wldt, Drain	1
▲	33	58979	(000000-) Screw, Hex, M6 X 1.0 X 55, Ss	1
▲	34	08712	(000000-) Nut, Hex, Lock, M6 X 1.0, Ss, NI	1
▲	35	360801	(000000-) Sleeve, 0.31b 0.50d 0.3l, Ss	2
▲	36	1035044	(000000-) Seal, Shaft, Drain Plug	1
▲	37	1039652	(000000-) Seal, Plug, Drain, Nitrile	1
	38	1020065	(000000-002418) Bracket, Mtg, Cover (Replaced by 9003893)	2
	39	1020263	(000000-002418) Bracket, Retaining, Cover (Replaced by 9003893)	2
	40	1038941	(000000-) Bracket, Sppt, Tank, Rh	1
	41	1038927	(000000-) Bracket, Sppt, Tank, Lh	1
	42	1037816	(002025-) Bracket, Protector, Float Switch	1
	43	09007	(002025-) Screw, Hex, M6 X 1.00 X 25, Ss	2
	44	08712	(002025-) Nut, Hex, Lock, M6 X 1.00, Ss, NI	2
	45	76426	(002025-) Washer, Sealing, 0.28b 0.75d Ss, Neo	2
	46	1039072	(002419-) Bracket, Sppt, Cover, Tank, Recvy	2
	47	1039049	(002419-) Bracket, Mtg, Cover, Recvy Tank	2
	48	16735	(002419-) Screw, Hex, M8 X 1.25 X 16, 8.8	6
	49	32491	(002419-) Washer, Flat, 0.31, Std	6

Fig. 44 - Recovery Tank Drain Group

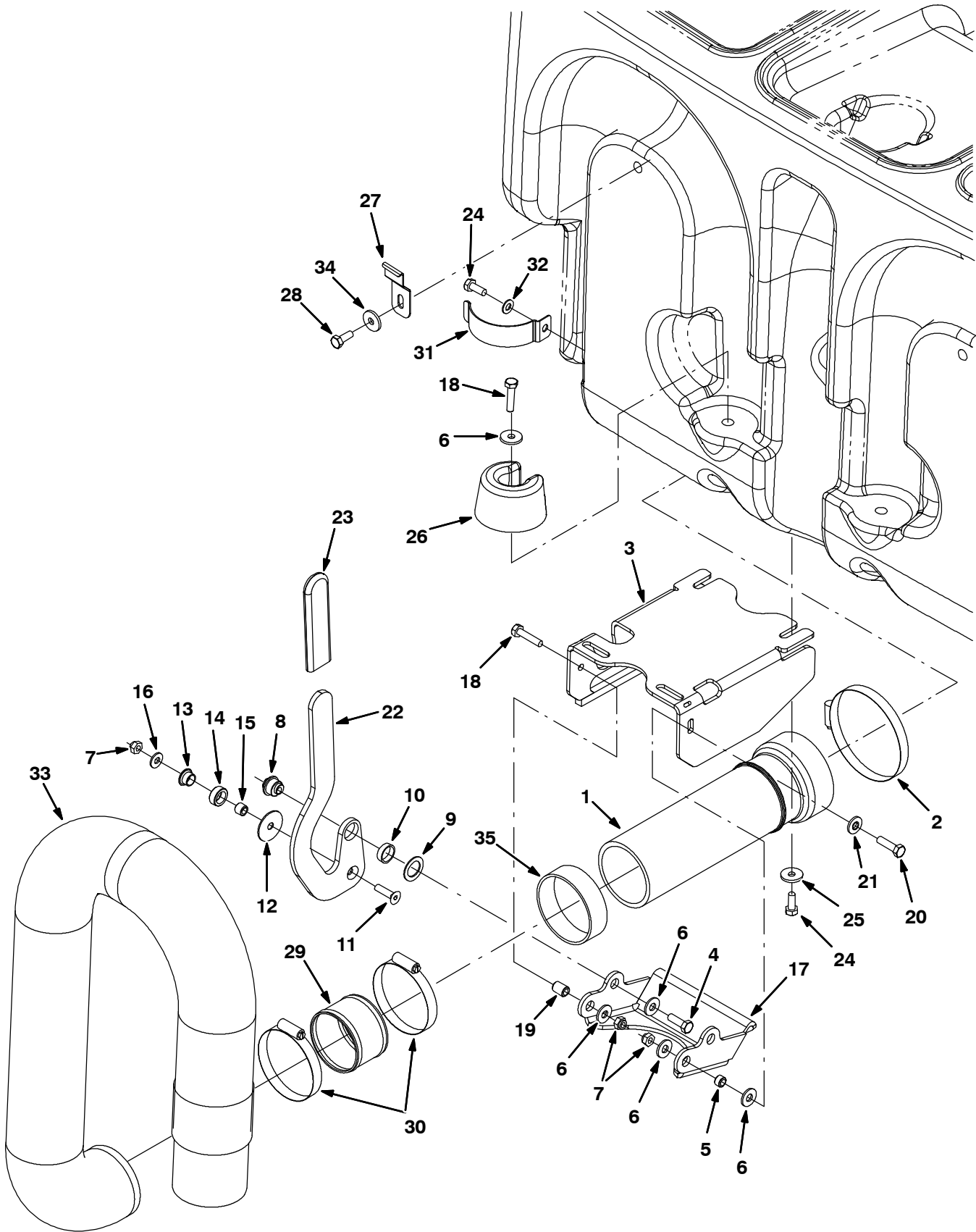




Fig. 44 - Recovery Tank Drain Group

Ref.	Part No.	Serial Number	Description	Qty.
1	9003794	(000000-	) Tube Kit, Tank, Recvy, Replmt	1
2	23498	(000000-	) Clamp, Hose, Wormdrive, 3.56-4.50d, .50w	1
3	1042010	(000000-	) Mount Wldt, Valve, Pinch, Lh	1
4	39277	(000000-	) Screw, Hex, M8 X 1.25 X 25, 8.8	1
5	222516	(000000-	) Sleeve, P/M, 0.31b 0.50d 0.3l [430ss]	1
6	32491	(000000-	) Washer, Flat, 0.31, Std	5
7	08713	(000000-	) Nut, Hex, Lock, M8 X 1.25, NI, Ss	3
8	1024599	(000000-	) Bushing, Eccentric, Adj	1
9	1026051	(000000-	) Washer, Flat, 0.79b 1.18d .06, Nyl	1
10	74090	(000000-	) Bushing, Sleeve, 0.75b 0.88d 0.25l	1
11	79506	(000000-	) Screw, Flt, M8 X 1.25 X 30, Ss	1
12	1028701	(000000-	) Washer, Thrust, 0.34b 1.50d .06	1
13	15648	(000000-	) Bushing, Flng, 0.50b 0.59d 0.38l	1
14	1028691	(000000-	) Roller, Brg	1
15	1028690	(000000-	) Tube, 0.50d 0.32b 00.4l, Ss	1
16	1017218	(000000-	) Washer, Flat, 0.32b 1.00d .12, Ss	1
17	1024535	(000000-	) Arm, Pinch	1
18	06955	(000000-	) Screw, Hex, M8 X 1.25 X 35, 8.8	2
19	80395	(000000-	) Sleeve, P/M, 0.31b 0.50d 0.7l [430ss]	1
20	76570	(000000-	) Screw, Hex, M8 X 1.25 X 30, 8.8	1
21	41186	(000000-	) Washer, Flat, Belleville, .31	1
22	1027039	(000000-	) Handle, Valve, Pinch, Lh	1
23	1023502	(000000-	) Grip, Handle	1
24	09740	(000000-	) Screw, Hex, M8 X 1.25 X 20, Ss	5
25	1017218	(000000-	) Washer, Flat, 0.32b 1.00d .12, Ss	2
26	1022137	(000000-	) Plug, Hose, Pyu	2
27	1025480	(000000-	) Bracket, Retaining, Hose	1
28	15675	(000000-	) Screw, Hex, M8 X 1.25 X 16, Ss	1
29	1041953	(000000-	) Tube, 2.90id 3.00od 02.4l, Ss	1
30	43555	(000000-	) Clamp, Hose, Wormdrive, 2.50-3.50d, .50w	2
31	1024558	(000000-	) Strap, Retaining, Hose	1
32	39349	(000000-	) Washer, Flat, 0.31 Sae	1
33	1019424	(000000-	) Hose, Drain, 3.00id X 48.0l	1
34	01685	(000000-	) Washer, Flat, 0.31, Ss	2
35	1031309	(000000-	) Tube, Acrylic, Hose, Pinch	1

**Fig. 45 - Vacuum Fan Group, Scrubbing**

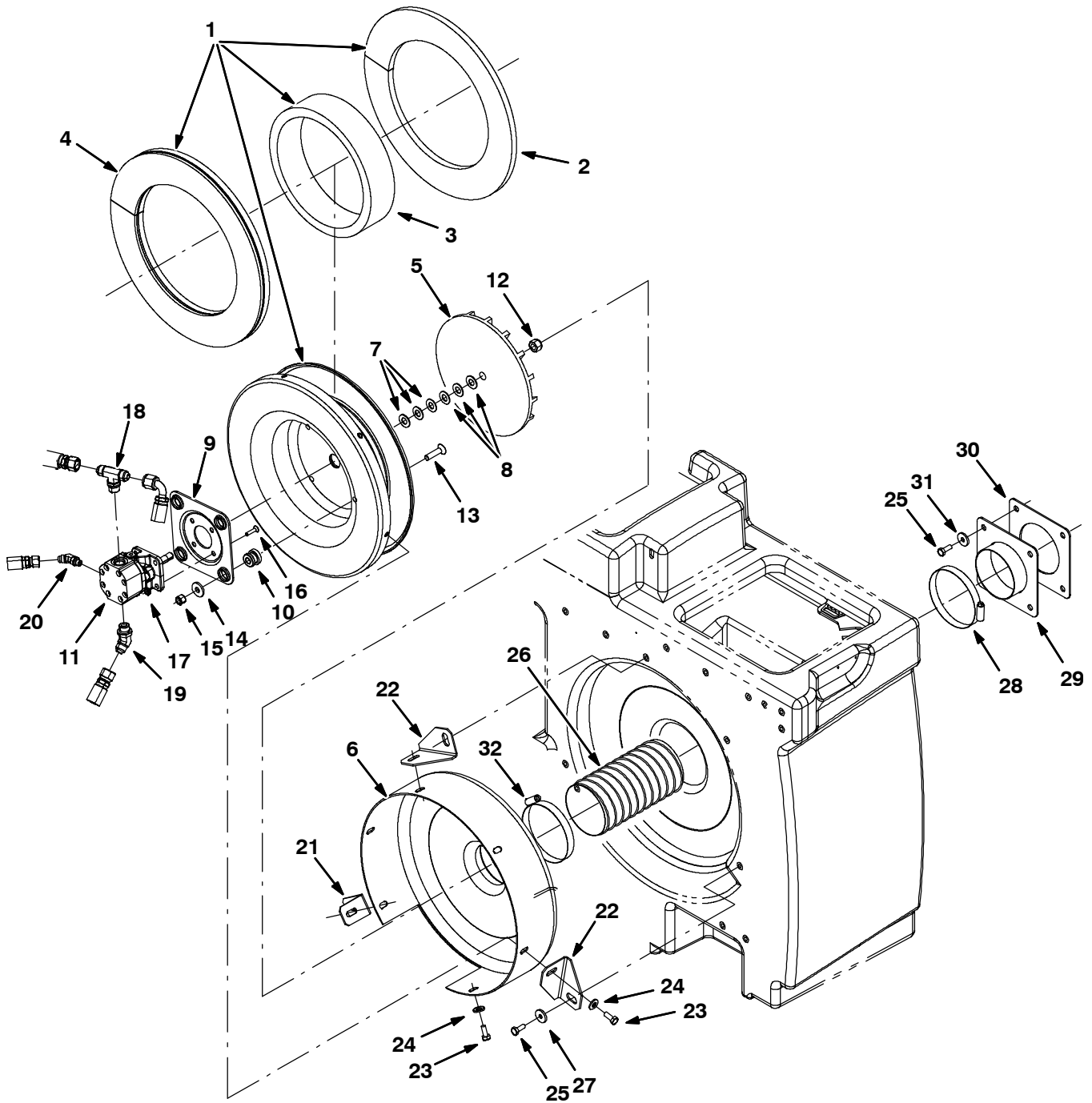


Fig. 45 - Vacuum Fan Group, Scrubbing

Ref.	Part No.	Serial Number	Description	Qty.
▽	9003455	(000000-	) Fan Kit, Scrub, Replmt [M20/T20]	1
▲▽	1 9002684	(000000-	) Housing Assy, Vacfan, Scrbr	1
▲▲	2 1025888	(000000-	) Insulation, Flame-Retardant, 0.50	1
▲▲	3 1025887	(000000-	) Insulation, Flame-Retardant, 0.75-0.88	1
▲▲	4 1025872	(000000-	) Insulation, Flame-Retardant, 0.75-0.88	1
▲	5 03922	(000000-	) Impeller, 9.5d, 18 Blade Mach	1
▲	6 57189	(000000-	) Housing Wldt, Vacfan, Front [528]	1
▲	7 75456-3	(000000-	) Shim, Washer, 0.88d 0.51b .020	3
▲	8 75456-4	(000000-	) Shim, Washer, 0.88d 0.51b .060	3
▲	9 54275A	(000000-	) Bracket, Mtg, Motor	1
▲	10 54274	(000000-	) Isolator, Vib, Bshg, 1.1d 0.6l .4b 0.78h	4
▲▽	11 9003461	(000000-	) Motor Kit, Replmt [M20&T20]	1
▲▲	00954	(000000-	) Key, Sq, 0.12 X 0.12, 1.00l (Included With Motor)	1
▲▲	74233	(000000-	) Kit, Seal, Motor, Hyd, Gear[Barns]	1
▲▲	12 41130	(000000-	) Nut, Low Crown, .50-20	1
▲▲	13 54861	(000000-	) Screw, Flt, .38-16 X 1.50, Al	4
▲▲	14 1014563	(000000-	) Washer, Flat, 0.40b 1.12d .12, Ss	4
▲▲	15 36643	(000000-	) Nut, Hex, Lock, .38-16, NI, Thin	4
▲▲	16 39534	(000000-	) Screw, Flt, .25-20 X 1.00, Al	4
▲▲	17 32981	(000000-	) Nut, Hex, Lock, .25-20, NI	4
▲▲	18 49933	(000000-	) Fitting, Hyd, Tee, Jm08/Jm08/Om08, Br	1
▲▲	19 42226	(000000-	) Fitting, Hyd, E45, Jm08/Om08	1
▲▲	20 392609	(000000-	) Fitting, Hyd, E45, Jm06/Om04	1
▲	21 1020320	(000000-	) Angle, Sppt, Fan	1
▲	22 1024891	(000000-	) Bracket, Mtg, Fan	2
▲	23 16931	(000000-	) Screw, Hex, M8 X 1.25 X 20, 8.8	6
▲	24 41186	(000000-	) Washer, Flat, Belleville, .31	6
	25 09740	(000000-	) Screw, Hex, M8 X 1.25 X 20, Ss	7
	26 1022377	(000000-	) Hose, Air-Intk, Flex 4.00id 18.0l	1
	27 1014563	(000000-	) Washer, Flat, 0.40b 1.12d .12, Ss	3
	28 79380	(000000-	) Clamp, Hose, Wormdrive, 3.75-4.62d, .62w	1
	29 1023754	(000000-	) Plate Wldt, Hose, Vacuum	1
	30 1024853	(000000-	) Gasket, Plt, Hose, Vacuum	1
	31 1017218	(000000-	) Washer, Flat, 0.32b 1.00d .12, Ss	4
	32 23498	(000000-	) Clamp, Hose, Wormdrive, 3.56-4.50D, .50W	1

**Fig. 46 - Vacuum Fan Group, Sweeping**

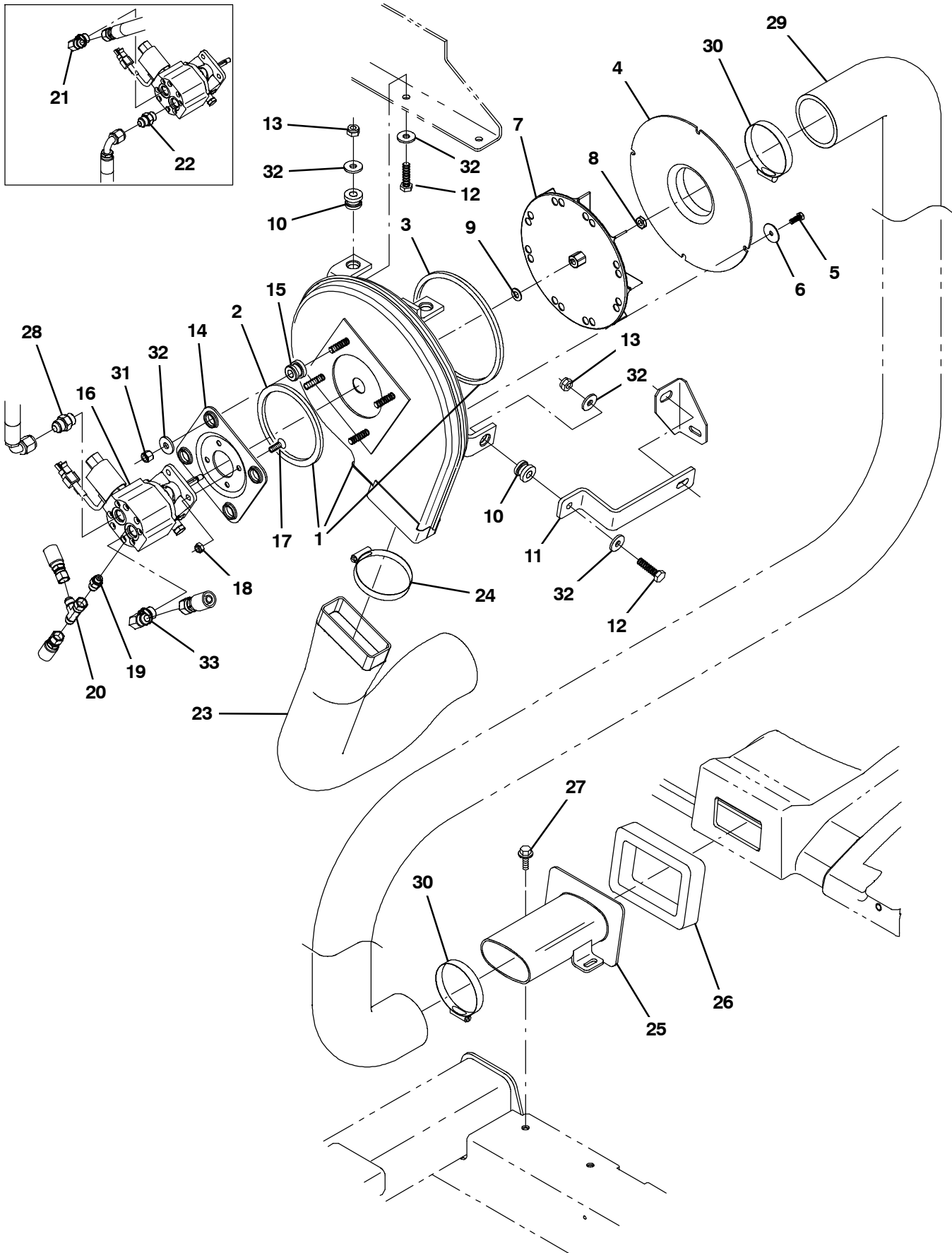
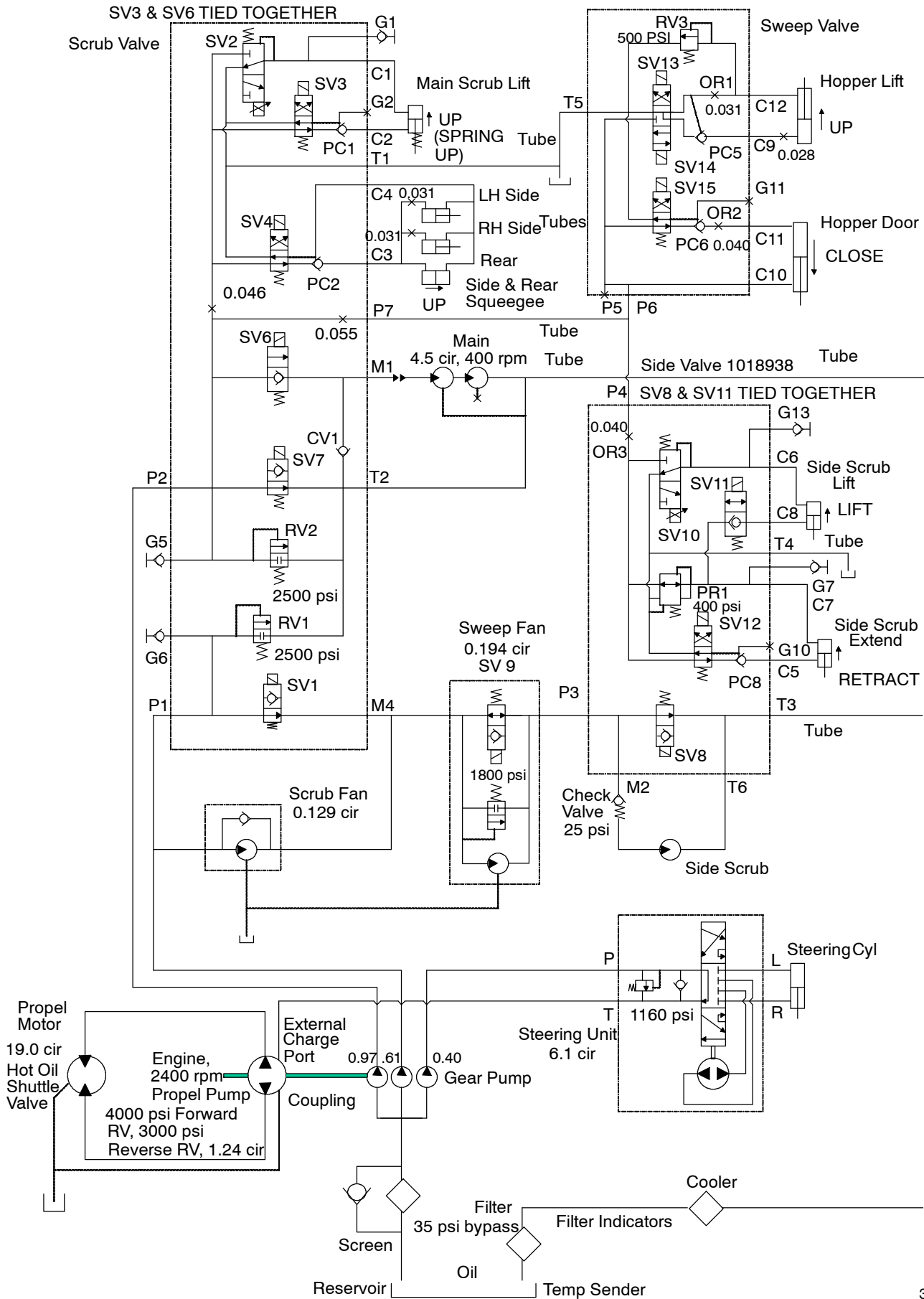


Fig. 46 - Vacuum Fan Group, Sweeping

Ref.	Part No.	Serial Number	Description	Qty.
▽ 1	9002683	(000000-	) Housing Assy, Vacfan, Swpr	1
▲ 2	59967	(000000-	) Seal, Ure, 0.38 0.75w 13.2l Adh	1
▲ 3	59735	(000000-	) Seal, Ure, 0.38 0.75w 33.0l Adh	1
4	1018216	(000000-	) Fan Wldt, Vac, Inlet	1
5	34323	(000000-	) Screw, Hex, .25-20 X 0.75, NI	4
6	41178	(000000-	) Washer, Flat, 0.25 Fender	4
7	74454	(000000-	) Impeller, 9.00d X 1.40w X 0.376b	1
8	31241	(000000-	) Nut, Hex, Lock, .31-24, NI, Thin	1
9	32485	(000000-	) Washer, Flat, 0.38 Sae	1
10	59649	(000000-	) Isolator, Vib, Bshg, 1.1d 0.6l .4b 0.78h	3
11	1018222	(000000-	) Bar, Isolator, Vacfan	1
12	39285	(000000-	) Screw, Hex, M10 X 1.5 X 40, 8.8	3
13	41430	(000000-	) Nut, Hex, Lock, M10 X 1.5, NI	3
14	54275A	(000000-	) Bracket, Mtg, Motor	1
15	54274	(000000-	) Isolator, Vib, Bshg, 1.1d 0.6l .4b 0.78h	4
16	53485	(000000-	) Motor, Hyd, Gear, [Ex] .194 R 3000 (See Breakdowns)	1
17	07810	(000000-	) Screw, Flt, M8 X 1.25 X 25, 10.9	4
18	08709	(000000-	) Nut, Hex, Lock, M8 X 1.25, NI	4
19	50960	(000000-	) Fitting, Hyd, Str, Jm06/Om04	1
20	42215	(000000-	) Fitting, Hyd, Tee, Jf06/Jm06/Jm06, Run	1
21	44868	(000000-001337	) Fitting, Hyd, E90, Jm08/Om08	1
22	44869	(000000-001337	) Fitting, Hyd, Str, Jm08/Om08	1
23	1025756	(000000-	) Muffler, Vacfan, 4.0id	1
24	23498	(000000-	) Clamp, Hose, Wormdrive, 3.56-4.50d, .50w	1
25	1025841	(000000-	) Tube, Transition, Casting	1
26	1018209	(000000-	) Gasket, Hppr, Transition	1
27	1037346	(000000-	) Screw, Hex, M8 X 1.25 X 25, 9.8, Sems	2
28	44869	(001338-	) Fitting, Hyd, Str, Jm08/Om08	1
29	1018252	(000000-	) Hose, Flex, Vacuum, 3.5d 32.0l	1
30	23498	(000000-	) Clamp, Hose, Wormdrive, 3.56-4.50d, .50w	2
31	36643	(000000-	) Nut, Hex, Lock, .38-16, NI, Thin	4
32	1014563	(000000-	) Washer, Flat, 0.40b 1.12d .12, Ss	10
33	44868	(001338-	) Fitting, Hyd, E90, Jm08/Om08	1

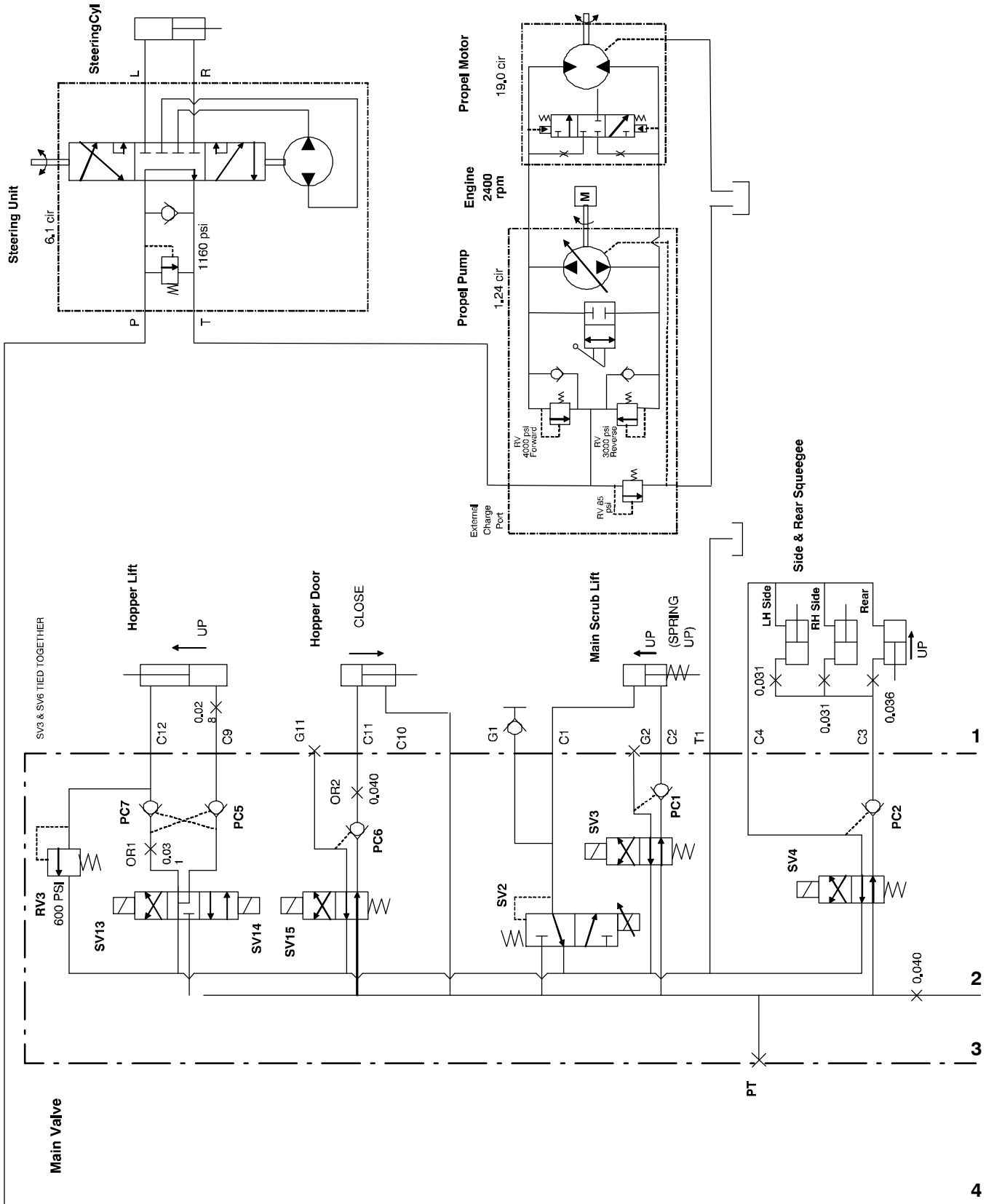
Fig. 47 - Hydraulic Schematic (000000-002699)



354453



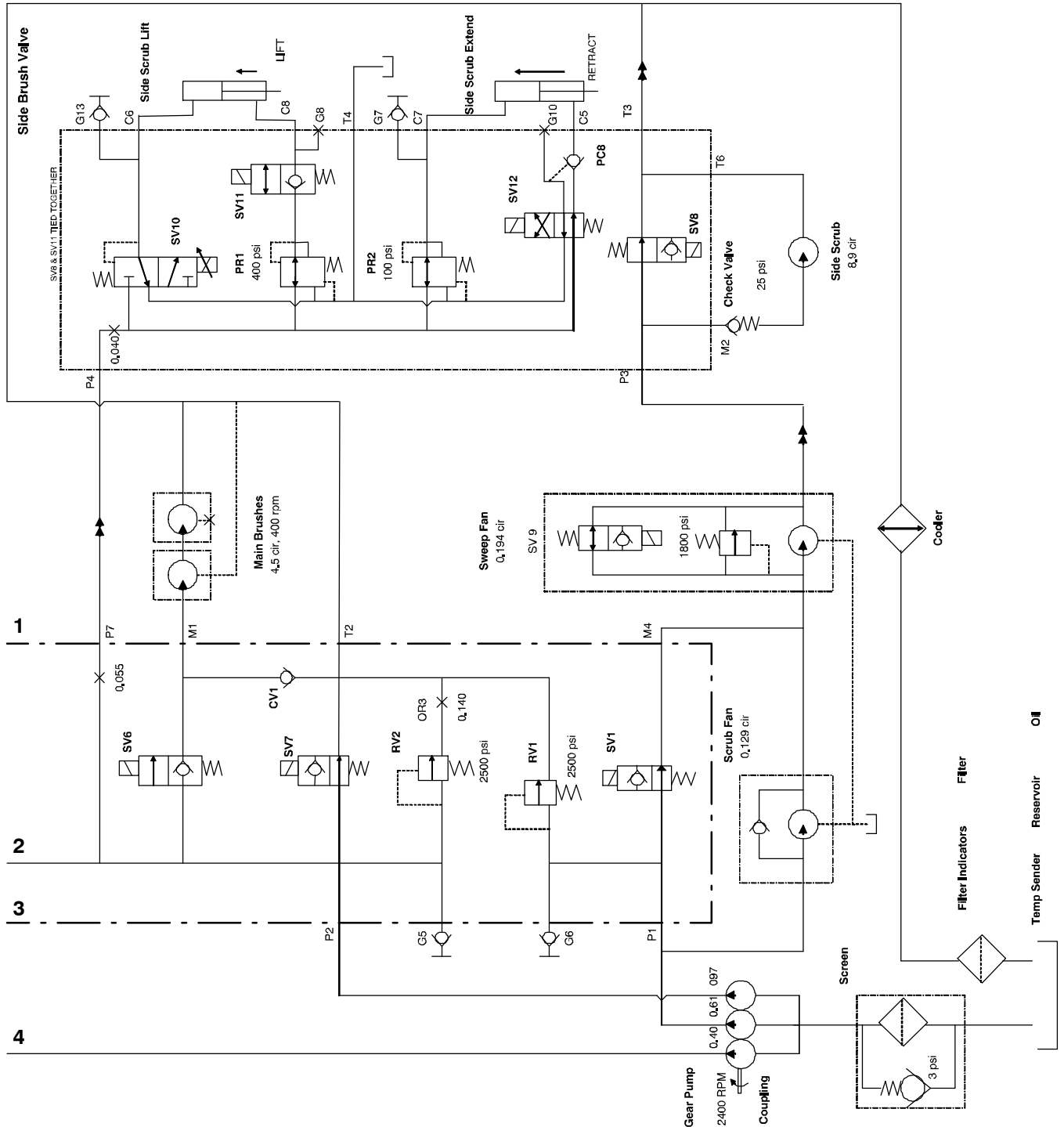
Fig. 48 - Hydraulic Schematic (002700- )



1024172 - 354453



Fig. 48 - Hydraulic Schematic (002700- )



1024172 - 354453

**Fig. 49 - Hydraulic Hose Group, Steering and Propel**

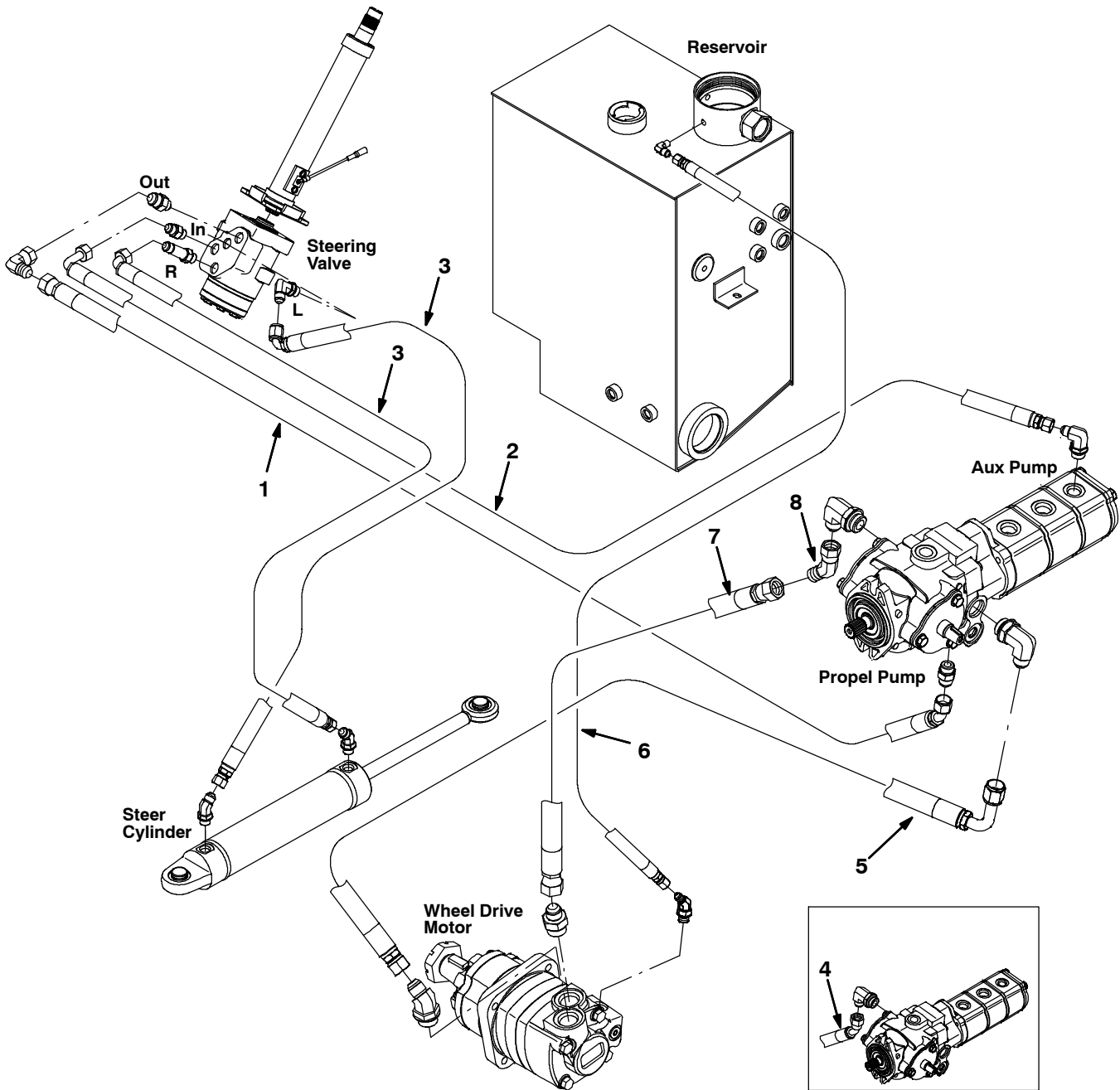


Fig. 49 - Hydraulic Hose Group, Steering and Propel

Ref.	Part No.	Serial Number	Description	Qty.
1	1023609	(000000-	) Hose, Hyd, Tc08, Jf08e45/Jf08str, 96.0	1
2	1023608	(000000-	) Hose, Hyd, Tc06, Jf06e90/Jf06str, 104.0	1
3	396221	(000000-	) Hose, Hyd, Tc06, Jf06e90/Jf06str, 040.0	2
4	1023489	(000000-002183	) Hose, Hyd, Spcl, Jf10e45/Jf10str, 58.0 (Replaced by 1039148)	1
5	1023488	(000000-	) Hose, Hyd, Spcl, Jf10e90/Jf10str, 63.0	1
6	1030404	(000000-	) Hose, Hyd,Med04, Jf04str/Jf04str, 066.0	1
7	1038569	(002184-	) Hose, Hyd, Spcl, Jf10str/Jf10str, 56.5	1
8	54017	(002184-	) Fitting, Hyd, E45, Jf10/Jm10	1

Fig. 50 - Hydraulic Hose Group, Pump and Vacuum Fans

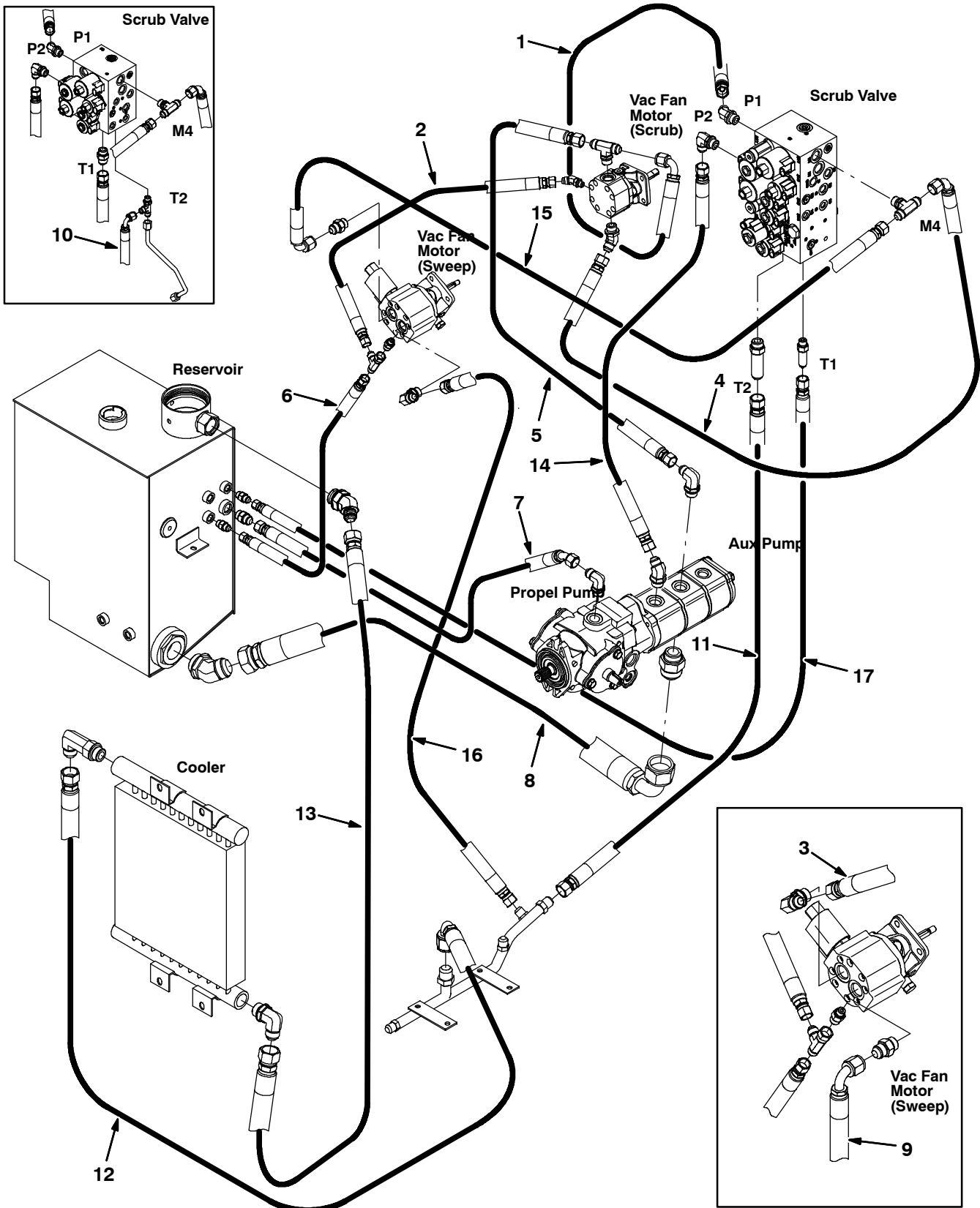


Fig. 50 - Hydraulic Hose Group, Pump and Vacuum Fans

Ref.	Part No.	Serial Number	Description	Qty.
1	71741	(000000-	) Hose, Hyd, Tc08, Jf08e90/Jf08str, 046.0	1
2	361044	(000000-	) Hose, Hyd, Med06, Jf06str/Jf06str, 018.0	1
3	381862	(000000-001337	) Hose, Hyd, Tc08, Jf08str/Jf08str, 024.0	1
4	396255	(000000-	) Hose, Hyd, Tc08, Jf08str/Jf08e90, 031.0	1
5	1026645	(000000-	) Hose, Hyd, Tc08, Jf08e45/Jf08str, 26.0	1
6	16431	(000000-	) Hose, Hyd, Med06, Jf06str/Jf06str, 022.0	1
7	1023607	(000000-	) Hose, Hyd, Med08, Jf08str /Jf08e45, 21.0	1
8	1023611	(000000-	) Hose, Hyd, Suc20, Jf20str /Jf20e90, 29.0	1
9	396266	(000000-001337	) Hose, Hyd, Med08, Jf08e90/Jf08str, 031.0	1
10	71735	(000000-002699	) Hose, Hyd, Med06, Jf06e90/Jf06str, 042.0	1
11	1025547	(000000-002699	) Hose, Hyd, Med10, Jf10str/Jf10str, 41.0	1
11	1040655	(002700-	) Hose, Hyd, Med10, Jf10Str/Jf10Str, 036.0	1
12	396438	(000000-	) Hose, Hyd, Tc12, Jf12e90/Jf12str, 044.0	1
13	1028145	(000000-	) Hose, Hyd, Med12, Jf12str/Jf12str, 66.0	1
14	1023606	(000000-	) Hose, Hyd, Tc08, Jf08str/Jf08str, 21.0	1
15	381858	(001338-026999	) Hose, Hyd, Tc08, Jf08e90/Jf08str, 024.0	1
15	1040216	(002700-	) Hose, Hyd, Tc08, Jf08E90/Jf08Str, 029.0	1
16	1036945	(001338-	) Hose, Hyd, Tc08, Jf08str/Jf08str, 031.0	1
17	71556	(002700-	) Hose, Hyd, Med06, Jf06Str/Jf06Str, 042.0	1

**Fig. 51 - Hydraulic Hose Group, Brush and Hopper**

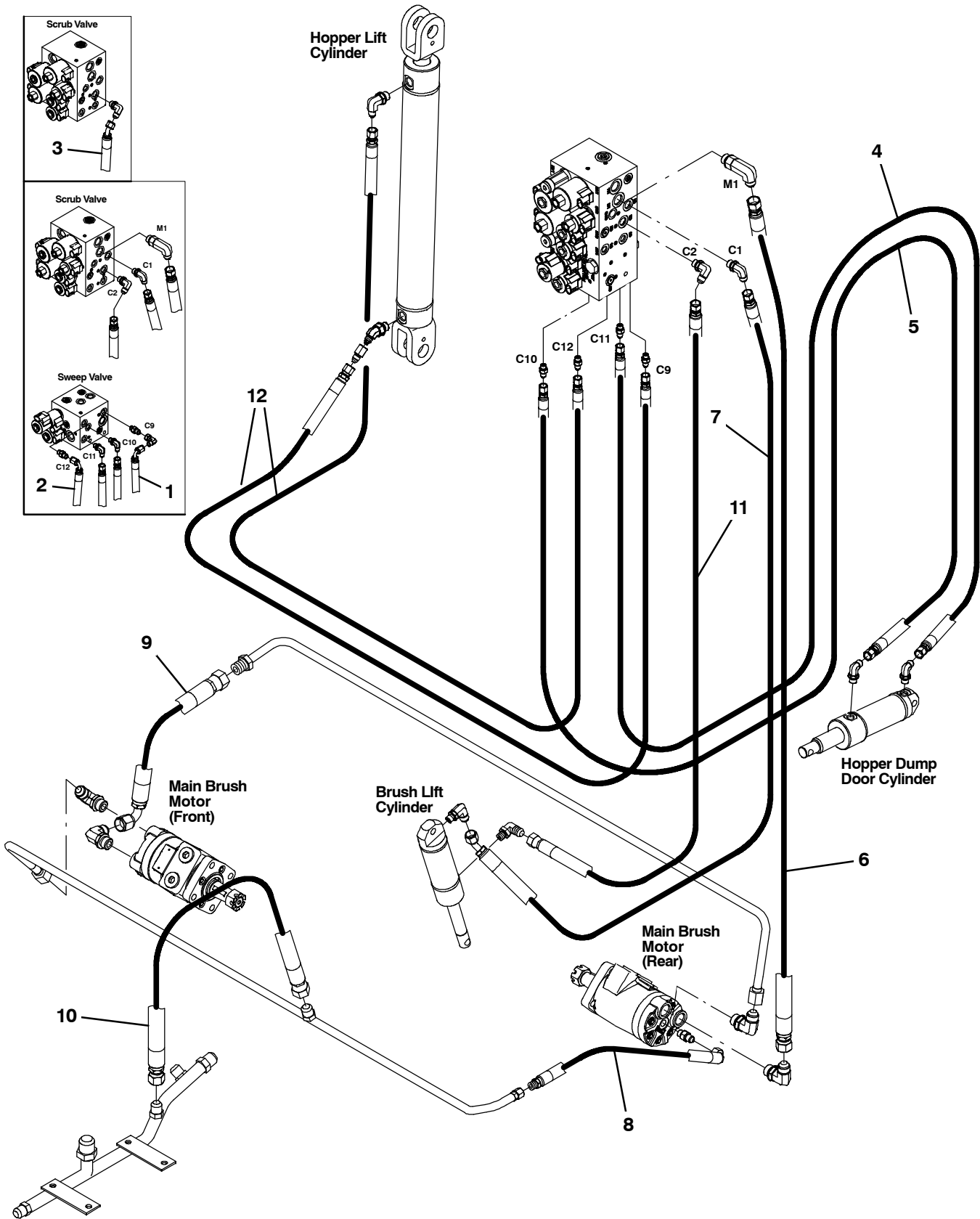


Fig. 51 - Hydraulic Hose Group, Brush and Hopper

Ref.	Part No.	Serial Number	Description	Qty.
1	1027320	(000000-002699 )	Hose, Hyd, Tc04, Jf04str /Jf04e90, 88.0	1
2	1027321	(000000-002699 )	Hose, Hyd, Tc04, Jf04str /Jf04e90, 70.0	1
3	1025548	(000000-001337 )	Hose, Hyd, Tc06, Jf06str /Jf06e45, 54.0	1
4	1026733	(000000-002699 )	Hose, Hyd, Spcl, Jf04str/Jf04str, 115.0	1
4	1042775	(002700- )	Hose, Hyd, Spcl, Jf04str/Jf04str, 133.0	1
5	1024688	(000000-002699 )	Hose, Hyd, Spcl, Jf04str/Jf04str, 121.0	1
5	1042776	(002700- )	Hose, Hyd, Spcl, Jf04str/Jf04str, 127.0	1
6	1024764	(000000- )	Hose, Hyd, Tc08, Jf08str/Jf08str, 48.0	1
7	1023769	(000000- )	Hose, Hyd, Tc 06, Jf06str /Jf06e45, 56.0	1
8	57946	(000000- )	Hose, Hyd, Med04, Jf04e90/Jf04str, 016.0	1
9	1025544	(000000- )	Hose, Hyd, Tc08, Jf08e90/Jf08str, 13.0	1
10	51754	(000000- )	Hose, Hyd, Med08, Jf08str/Jf08str, 022.0	1
11	1036939	(001338- )	Hose, Hyd, Tc06, Jf06str/Jf06str, 054.0	1
12	1040628	(002700- )	Hose, Hyd, Tc04, Jf04str/Jf04str, 096.0	2

Fig. 52 - Hydraulic Hose Group, Squeegee Lift

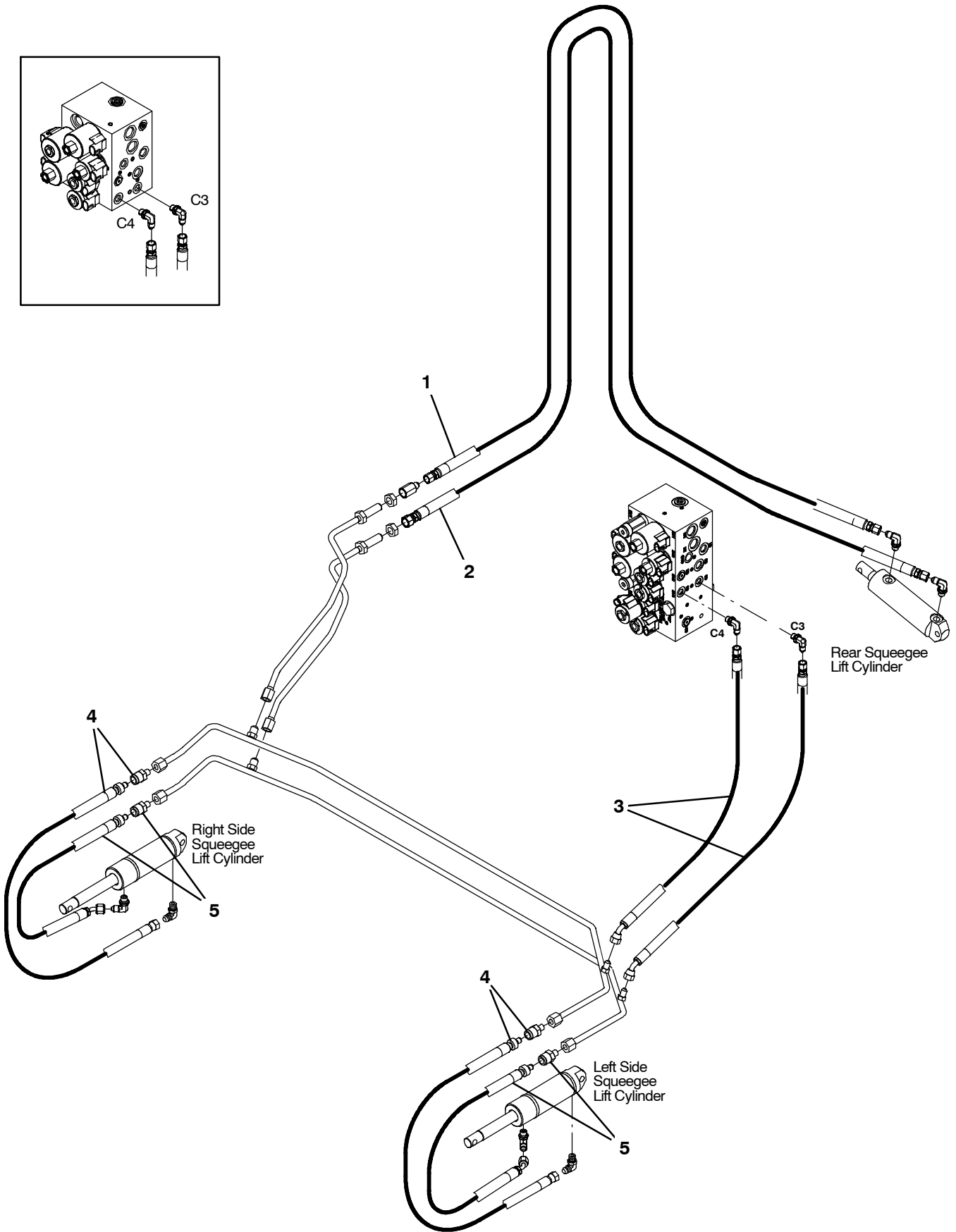




Fig. 52 - Hydraulic Hose Group, Squeegee Lift

Ref.	Part No.	Serial Number	Description	Qty.
1	1024688	(000000-	) Hose, Hyd, Spcl, Jf04str/Jf04str, 121.0	1
2	1025551	(000000-	) Hose, Hyd, Spcl, Jf04str/Jf06str, 125.0	1
3	1030709	(000000-	) Hose, Hyd, Tc 04, Jf04str /Jf04e45 , 35.0	2
4	1037042	(000000-002555	) Hose, Hyd, Tc04, Jf04e45/Qm06, 028.0	2
4	1045759	(002556-	) Hose, Hyd, Tco4, Jf04Str/Qm06, 028.0	2
5	1037053	(000000-	) Hose, Hyd, Tc04, Jf04e45/Qm06, 026.0	2

Fig. 53 - Hydraulic Pumps Group

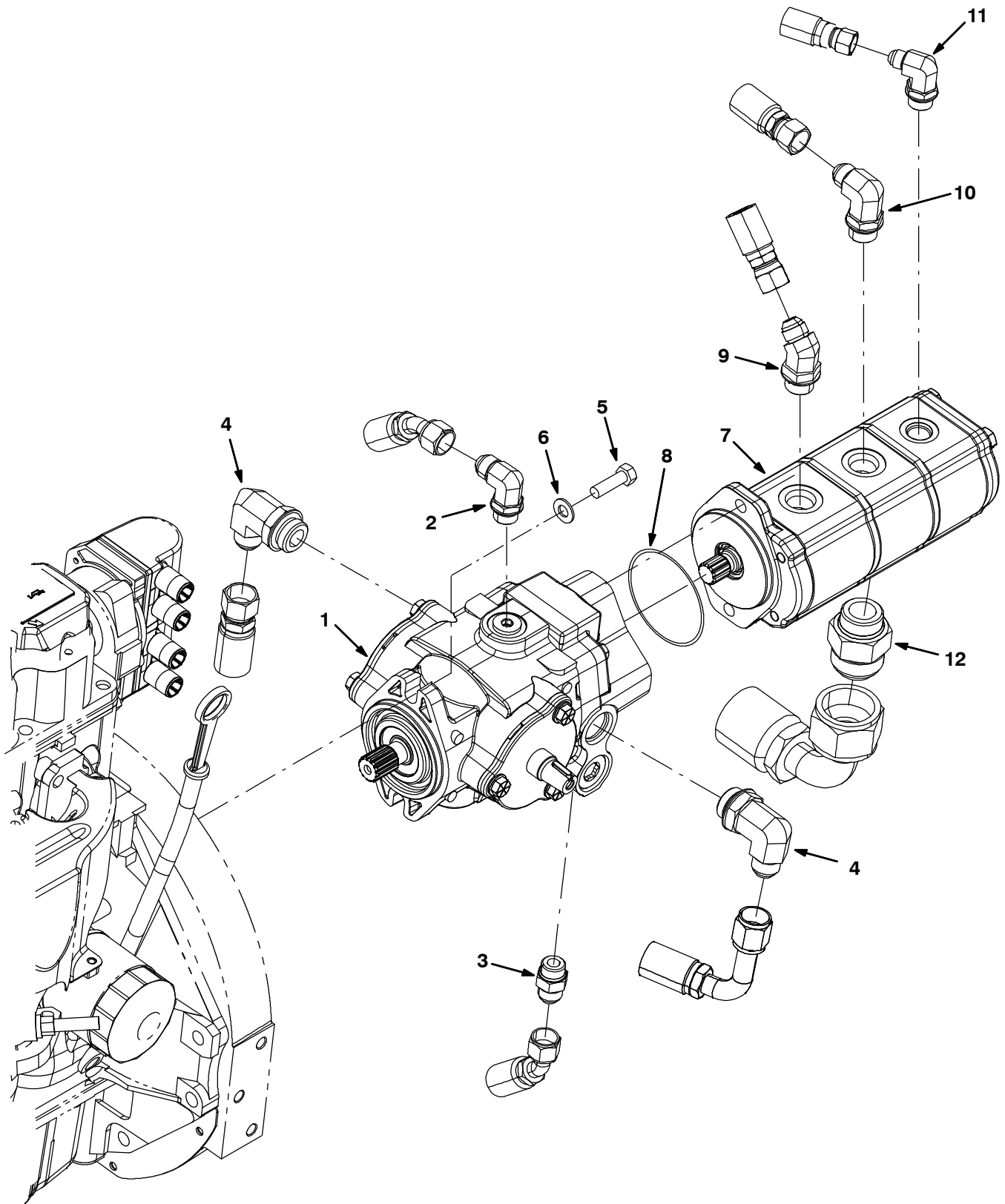


Fig. 53 - Hydraulic Pumps Group

Ref.	Part No.	Serial Number	Description	Qty.
1	1024251	(000000-	) Pump, Hyd, Piston, Var, 1.24 4000, Cw (See Breakdown)	1
2	44868	(000000-	) Fitting, Hyd, E90, Jm08/Om08	1
3	44869	(000000-	) Fitting, Hyd, Str, Jm08/Om08	1
4	53076	(000000-	) Fitting, Hyd, E90, Jm10/Om12	2
5	21198	(000000-	) Screw, Hex, .38-16 X 1.25, 5	22
6	32485	(000000-	) Washer, Flat, 0.38 Sae	2
7	1022666	(000000-	) Pump, Hyd, Gear, Ext, 3, 00.97 2500, Cw	1
8	65145-1	(000000-	) Seal, Org, .069 X 3.06id	11
9	47513	(000000-	) Fitting, Hyd, E45, Jm08/Om10	1
10	56821	(000000-	) Fitting, Hyd, E90, Jm08/Om10	1
11	47512	(000000-	) Fitting, Hyd, E90, Jm06/Om08	1
12	67811	(000000-	) Fitting, Hyd, Str, Jm20/Om16	1

Fig. 54 - Hydraulic Cooler and Tubes Group

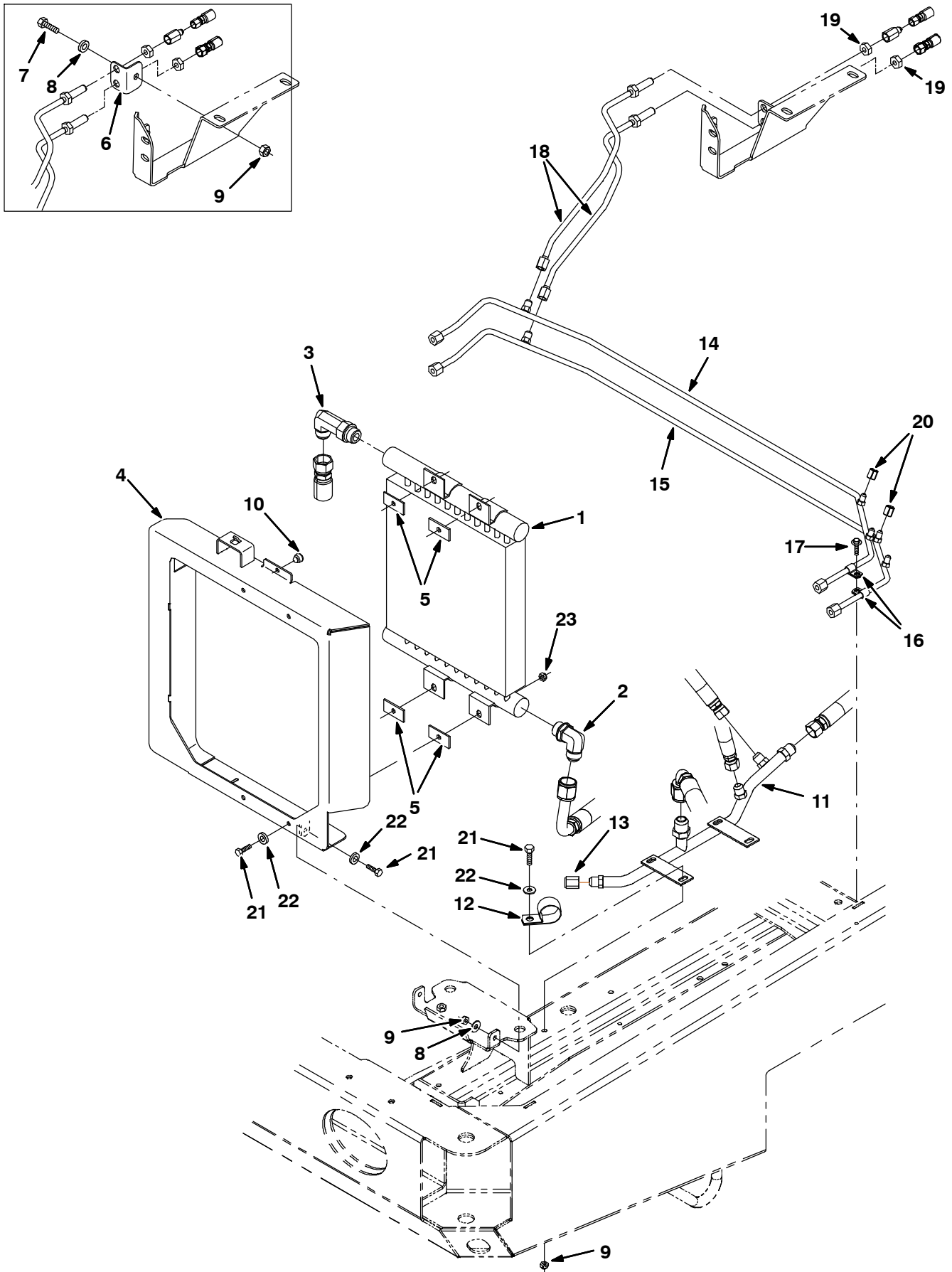


Fig. 54 - Hydraulic Cooler and Tubes Group

Ref.	Part No.	Serial Number	Description	Qty.
1	13698	(000000-	) Cooler, Hyd, 25gpm 325btu Of12 13x12x2	1
2	46481	(000000-	) Fitting, Hyd, E90, Jm12/Om12	1
3	62471	(000000-	) Fitting, Hyd, E90, Jm12/Om12, L	1
4	1026319	(000000-	) Bracket Wldt, Cooler, Hyd Fluid	1
5	1040318	(000000-	) Pad, Tank, Hyd [W/Psa]	4
6	1026647	(000000-xxxxxx	) Angle, Mtg, Stl, .12 1.6 1.6 02.2l	1
7	39283	(000000-xxxxxx	) Screw, Hex, M10 X 1.5 X 25, 8.8	1
8	32492	(000000-xxxxxx	) Washer, Flat, 0.38 Std	1
9	41430	(000000-xxxxxx	) Nut, Hex, Lock, M10 X 1.5, NI	1
10	51787	(000000-	) Bumper, Rbr, 0.6d 0.34t .3d Tip	1
11	1036959	(000000-	) Tube, Hyd, Main Return	1
12	53466	(000000-	) Clamp, Cable, Stl, 1.50d X 1.00w, 1h	1
13	60090	(000000-	) Fitting, Hyd, Cap, Jf08	1
14	1028821	(000000-	) Tube, Hyd, Sqge	1
15	1028822	(000000-	) Tube, Hyd, Sqge	1
16	40678	(000000-	) Clamp, Cable, Stl, 0.44d X 0.62w, 1h	2
17	74455	(000000-	) Screw, Hex, M6 X 1.0 X 12, Fmg	1
18	1028823	(000000-	) Tube, Hyd, Rear Sqge [M20]	2
19	35904	(000000-	) Nut, Ftg, Hyd, 0.56-18	2
20	50161	(000000-	) Fitting, Hyd, Cap, Jf04	2
21	39277	(000000-	) Screw, Hex, M8 X 1.25 X 25, 8.8	8
22	32491	(000000-	) Washer, Flat, 0.31, Std	8
23	07791	(000000-	) Nut, Hex, FIng, M8 X 1.25	8

**Fig. 55 - Hydraulic Reservoir Group**

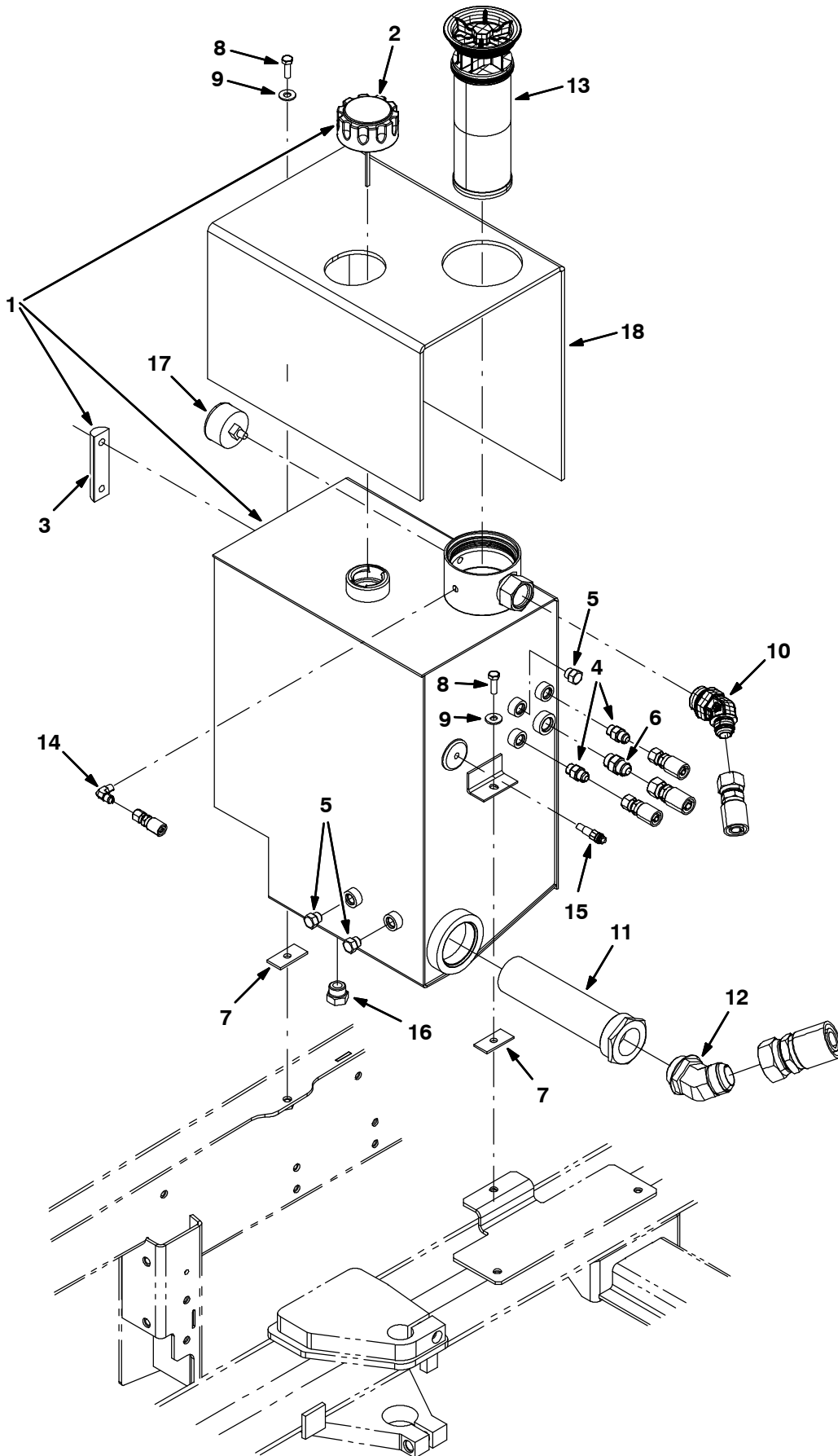


Fig. 55 - Hydraulic Reservoir Group

Ref.	Part No.	Serial Number	Description	Qty.
▽	1	9002398	(000000- ) Reservoir, Hyd, 10.0Gal, Replmt	1
▲	2	25122	(000000- ) Cap, Breather, Hyd, 2.4 Ds	1
▲	3	65215	(000000- ) Gauge, Sensing, Level	1
	4	56690	(000000- ) Fitting, Hyd, Str, Jm06/Om06	2
	5	46482	(000000- ) Fitting, Hyd, Plug, Om06	3
	6	44869	(000000- ) Fitting, Hyd, Str, Jm08/Om08	1
	7	1040318	(000000- ) Pad, Tank, Hyd [W/Psa]	2
	8	39277	(000000- ) Screw, Hex, M8 X 1.25 X 25, 8.8	2
	9	32491	(000000- ) Washer, Flat, 0.31 Std	2
	10	1023545	(000000- ) Fitting, Hyd, E45, Jm12/Om16	1
	11	31613	(000000- ) Strainer, Hyd, 25gpm 100mesh Psi	1
	12	71726	(000000- ) Fitting, Hyd, E45, Jm20/Om20	1
	13	1021579	(000000- ) Filter Assy [Pt4 936498]	1
	14	55455	(000000- ) Fitting, Hyd, E90, Jm04/Pm02	1
	15	58592	(000000- ) Send-Unit, Water, Temp, 04npt 113oh/195d	1
	16	40362	(000000- ) Fitting, Hyd, Plug, Om10	1
	17	1025132	(000000- ) Indicator, Press, 60psi	1
	18	1034878	(000000- ) Insulation, Thermal, Hydraulic Blanket	1

**Fig. 56 - Hydraulic Valves Group (000000-002699)**

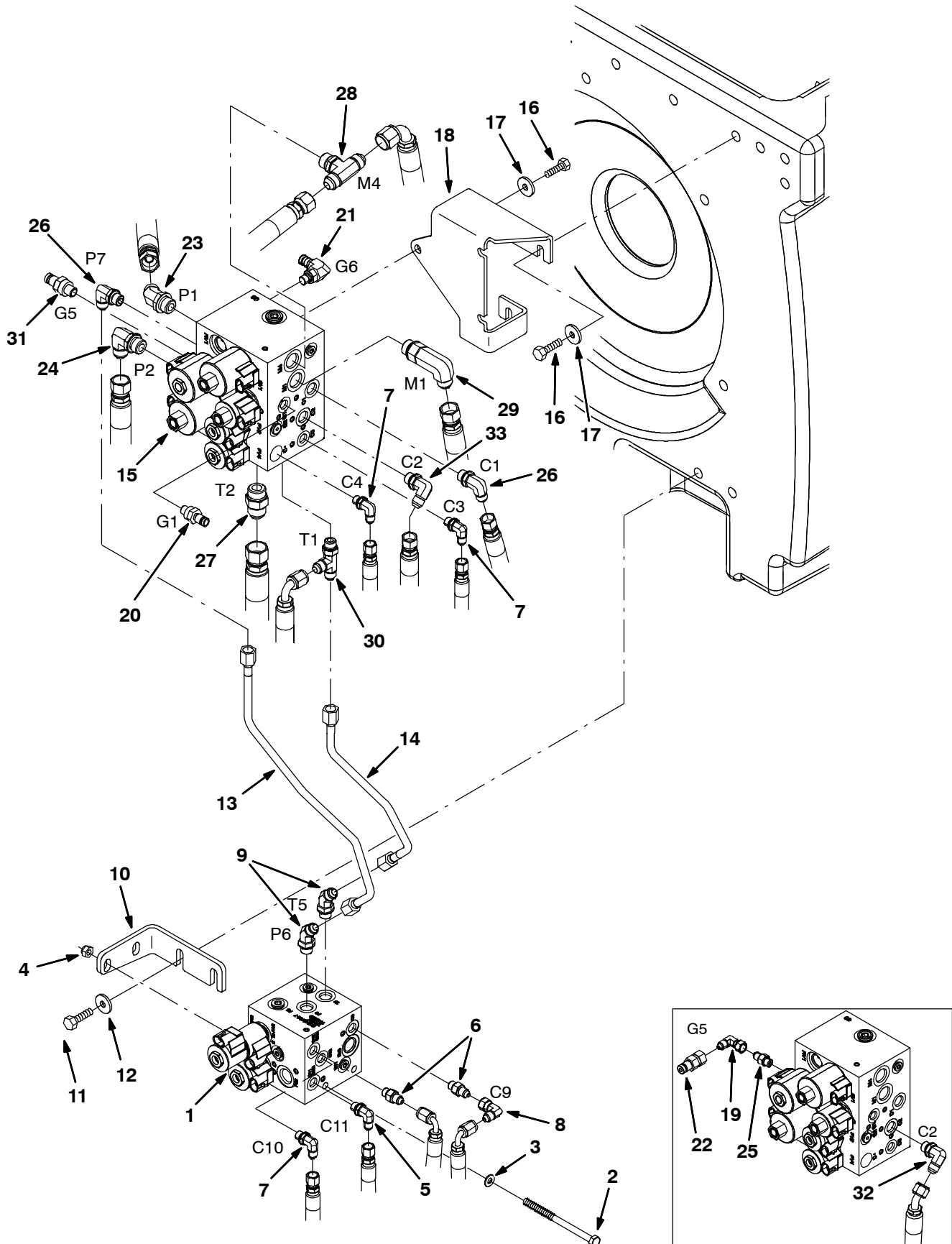




Fig. 56 - Hydraulic Valves Group (000000-002699)

Ref.	Part No.	Serial Number	Description	Qty.
1	1018936	(000000-002699 )	Valve, Cntrl, Hyd [M20] (See Breakdowns)	1
2	49883	(000000-002699 )	Screw, Hex, M8 X 1.25 X 120, 8.8, FI	2
3	32491	(000000-002699 )	Washer, Flat, 0.31, Std	2
4	08709	(000000-002699 )	Nut, Hex, Lock, M8 X 1.25, NI	2
5	77097	(000000-002699 )	Fitting, Hyd, E90, Jm04/Om04	2
6	55586	(000000-002699 )	Fitting, Hyd, Str, Jm04/Om04	2
7	77097	(000000-002699 )	Fitting, Hyd, E90, Jm04/Om04	2
8	39210	(000000-002699 )	Fitting, Hyd, E90, Jf04/Jm04	1
9	47522	(000000-002699 )	Fitting, Hyd, E45, Jm06/Om06	2
10	1020708	(000000-002699 )	Bracket, Mtg, Valve, Hyd, Swp	1
11	09740	(000000-002699 )	Screw, Hex, M8 X 1.25 X 20, Ss	2
12	1017218	(000000-002699 )	Washer, Flat, 0.32b 1.00d .12, Ss	2
13	1022482	(000000-002699 )	Tube, Hyd, Swp	1
14	1022484	(000000-002699 )	Tube, Hyd, Swp	1
15	1020394	(000000-002699 )	Valve, Cntrl, Hyd (See Breakdowns)	1
16	09740	(000000-002699 )	Screw, Hex, M8 X 1.25 X 20, Ss	6
17	1017218	(000000-002699 )	Washer, Flat, 0.32b 1.00d .12, Ss	6
18	1021991	(000000-002699 )	Bracket, Mtg, Valve, Hyd, Scb	1
19	39210	(000000-001271 )	Fitting, Hyd, E90, Jf04/Jm04	1
20	395973	(000000-002699 )	Fitting, Hyd, Str, Om04/Qm04	1
21	395974	(000000-002699 )	Fitting, Hyd, E90, Om04/Qm04	1
22	396476	(000000-001271 )	Fitting, Hyd, Str, Jf04/Qm04	1
23	42226	(000000-002699 )	Fitting, Hyd, E45, Jm08/Om08	1
24	44868	(000000-002699 )	Fitting, Hyd, E90, Jm08/Om08	1
25	55586	(000000-001271 )	Fitting, Hyd, Str, Jm04/Om04	1
26	56820	(000000-002699 )	Fitting, Hyd, E90, Jm06/Om06	2
27	46480	(000000-002699 )	Fitting, Hyd, Str, Jm10/Om10	1
28	49933	(000000-002699 )	Fitting, Hyd, Tee, Jm08/Jm08/Om08, Br	1
29	69173	(000000-002699 )	Fitting, Hyd, E90, Jm08/Om08, L	1
30	76316	(000000-002699 )	Fitting, Hyd, Tee, Jm06/Jm06/Om06, Run	1
31	395973	(001272-026999 )	Fitting, Hyd, Str, Om04/Qm04	1
32	56820	(000000-001337 )	Fitting, Hyd, E90, Jm06/Om06	1
33	71727	(001338-026999 )	Fitting, Hyd, E90, Jm06/Om06, L	1

**Fig. 57 - Hydraulic Valve Group (002700- )**

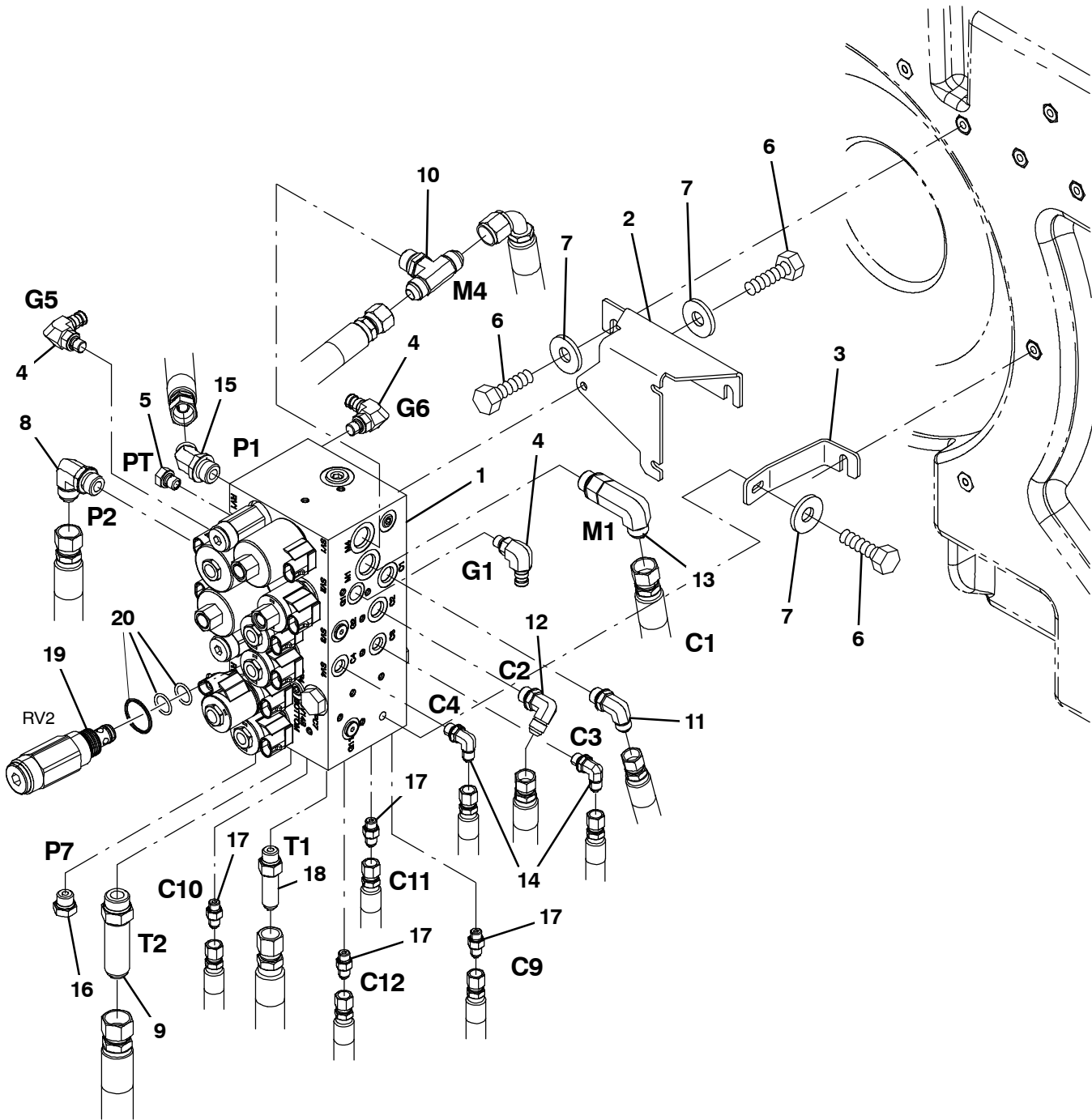
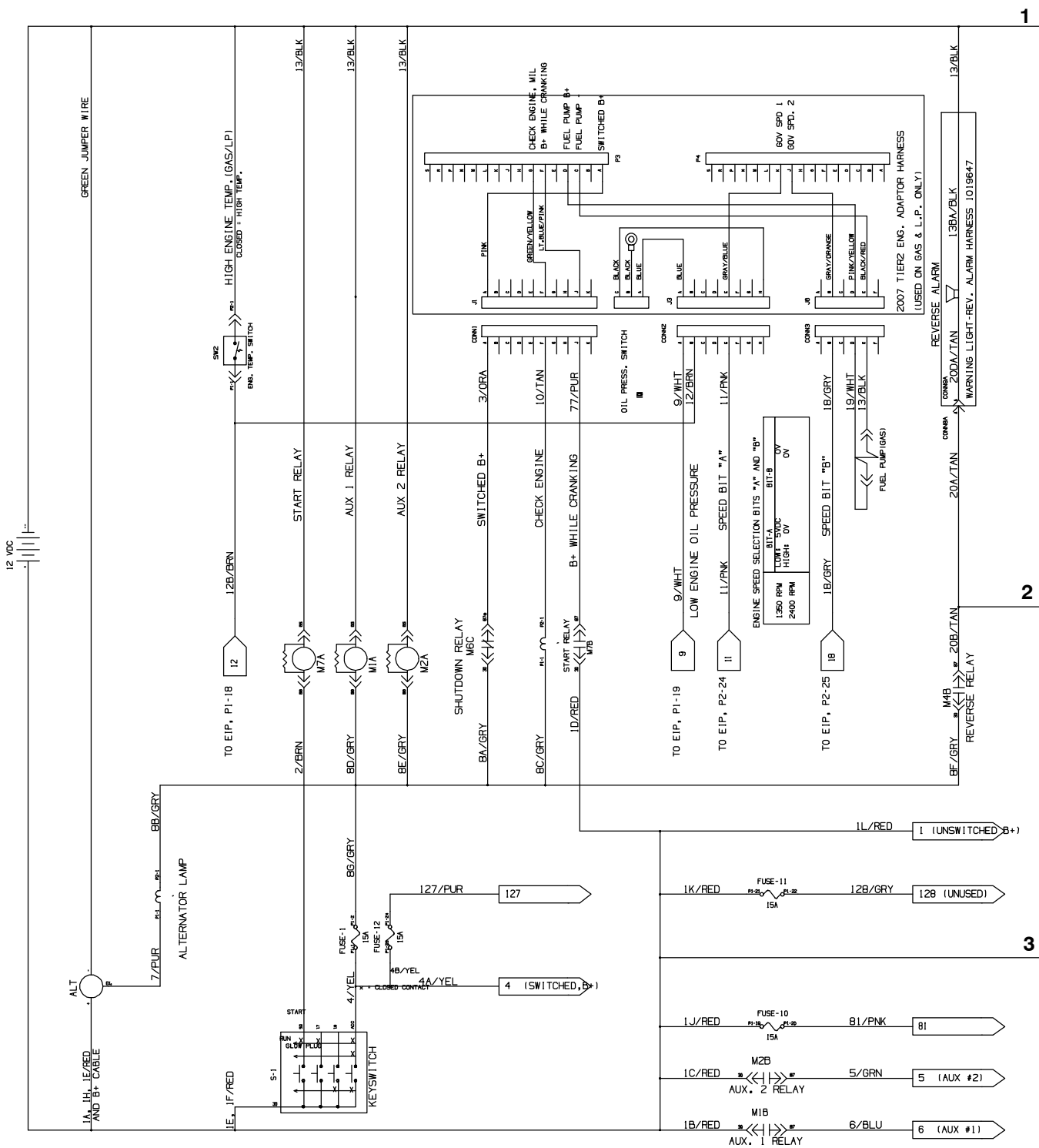


Fig. 57 - Hydraulic Valve Group (002700- )

Ref.	Part No.	Serial Number	Description	Qty.
1	1038566	(002700-	) Valve, Hyd, Solenoid, 12vdc (See Breakdown)	1
2	1039789	(002700-	) Bracket, Mtg, Valve [Combined]	1
3	1040117	(002700-	) Bracket, Mtg, Valve, Lower	1
4	395974	(002700-	) Fitting, Hyd, E90, Om04/Qm04	3
5	33812	(002700-	) Fitting, Hyd, Plug, Om04	1
6	09740	(002700-	) Screw, Hex, M8 X 1.25 X 20, Ss	8
7	1017218	(002700-	) Washer, Flat, 0.32b 1.00d .12, Ss	8
8	69173	(002700-	) Fitting, Hyd, E90, Jm08/Om08, Long	1
9	1040876	(002700-	) Fitting, Hyd, Str, Jm10/Om10, Long	1
10	49933	(002700-	) Fitting, Hyd, Tee, Jm08/Jm08/Om08, Br	1
11	56820	(002700-	) Fitting, Hyd, E90, Jm06/Om06	1
12	71727	(002700-	) Fitting, Hyd, E90, Jm06/Om06, Long	1
13	69173	(002700-	) Fitting, Hyd, E90, Jm08/Om08, Long	1
14	77097	(002700-	) Fitting, Hyd, E90, Jm04/Om04	2
15	42226	(002700-	) Fitting, Hyd, E45, Jm08/Om08	1
16	46482	(002700-	) Fitting, Hyd, Plug, Om06	1
17	55586	(002700-	) Fitting, Hyd, Str, Jm04/Om04	4
18	59577	(002700-	) Fitting, Hyd, Str, Jm06/Om06, Long	1
19	1044367	(002700-	) Valve, Relief, 0600Psi	1
20	373647	(002700-	) Seal Kit, Cartridge	1

## Fig. 58 - Electrical Schematic (000000-002532)



1018547 - 354458

Fig. 58 - Electrical Schematic (000000-002532)

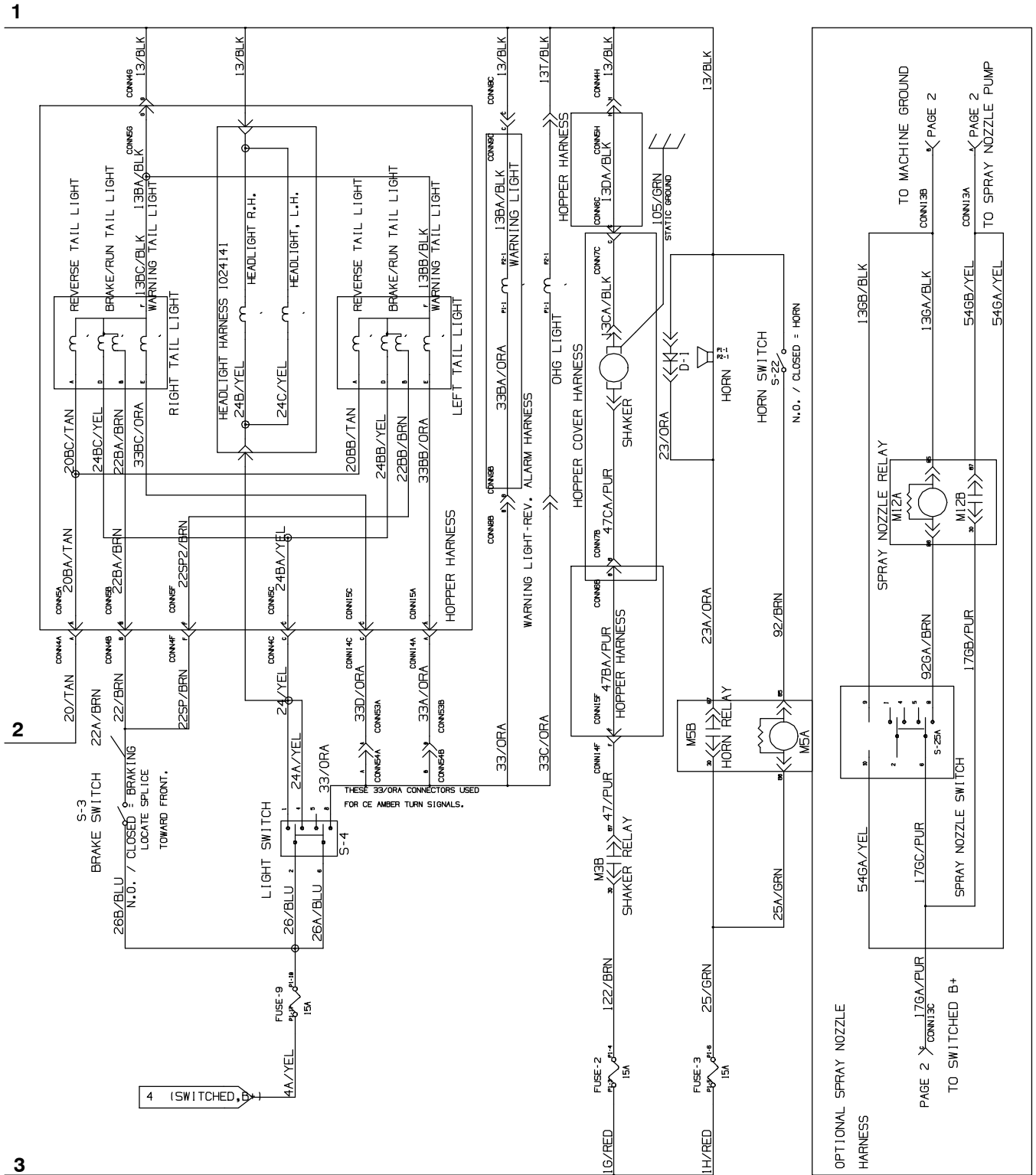
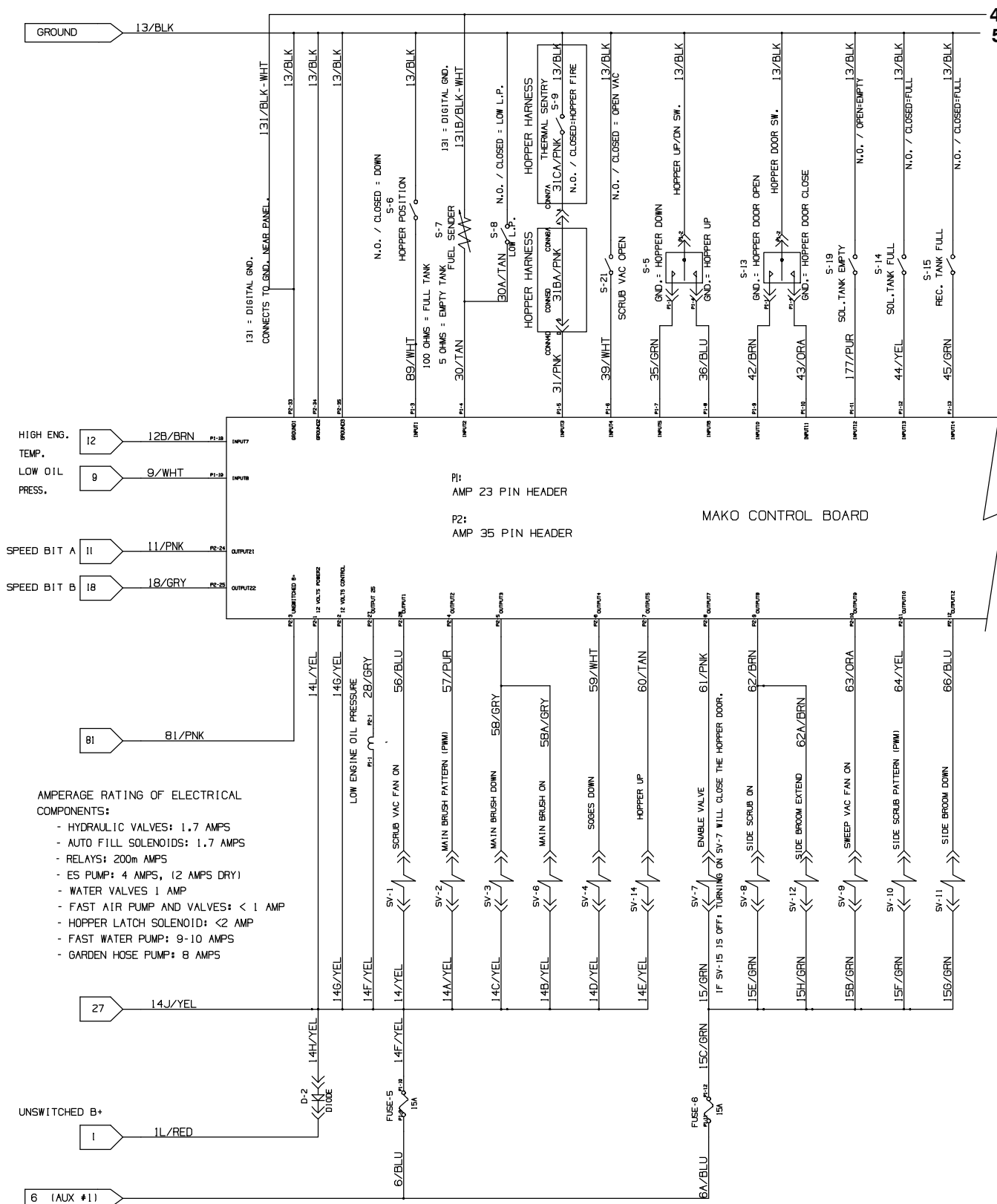
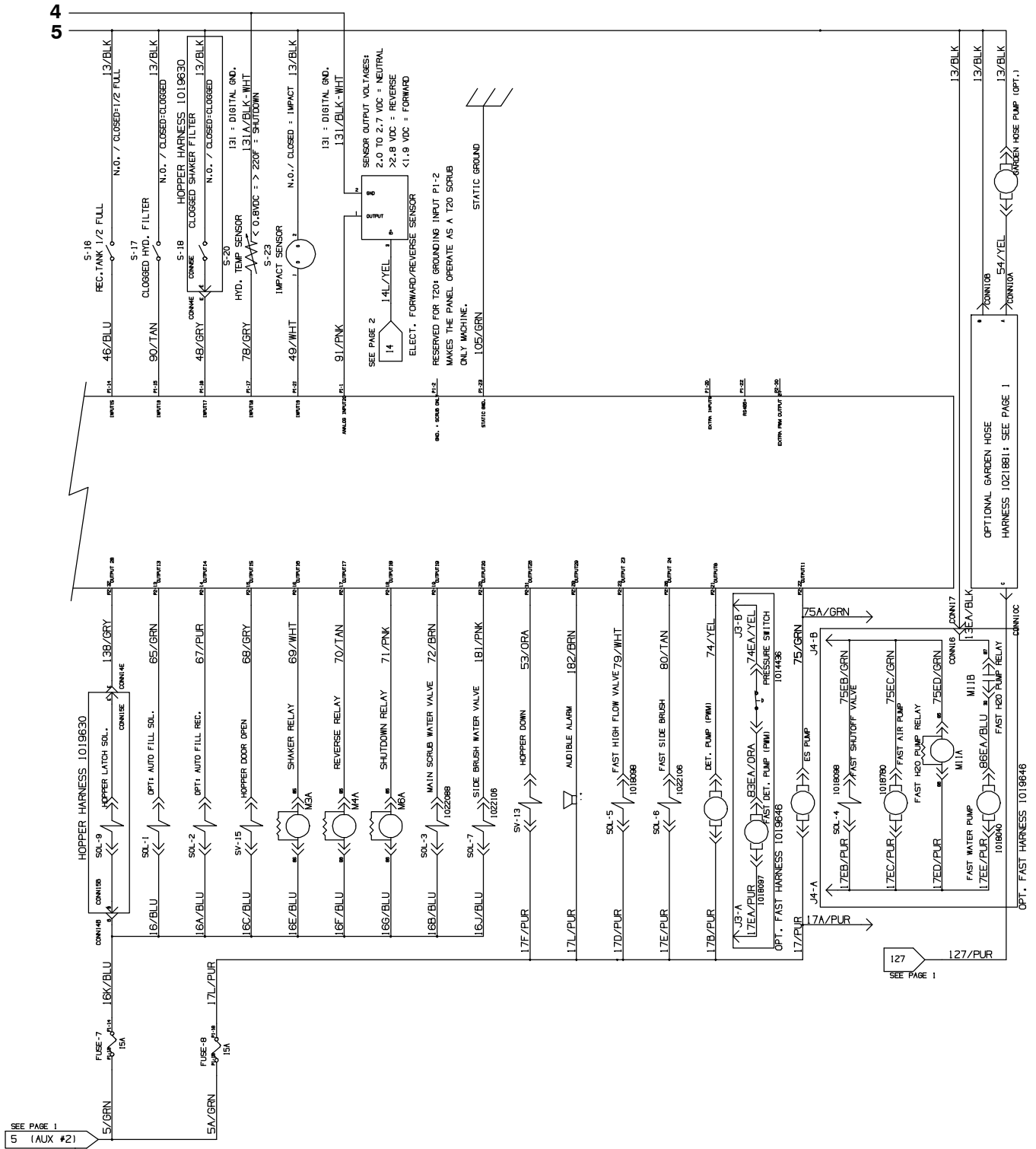


Fig. 58 - Electrical Schematic (000000-002532)



1018547

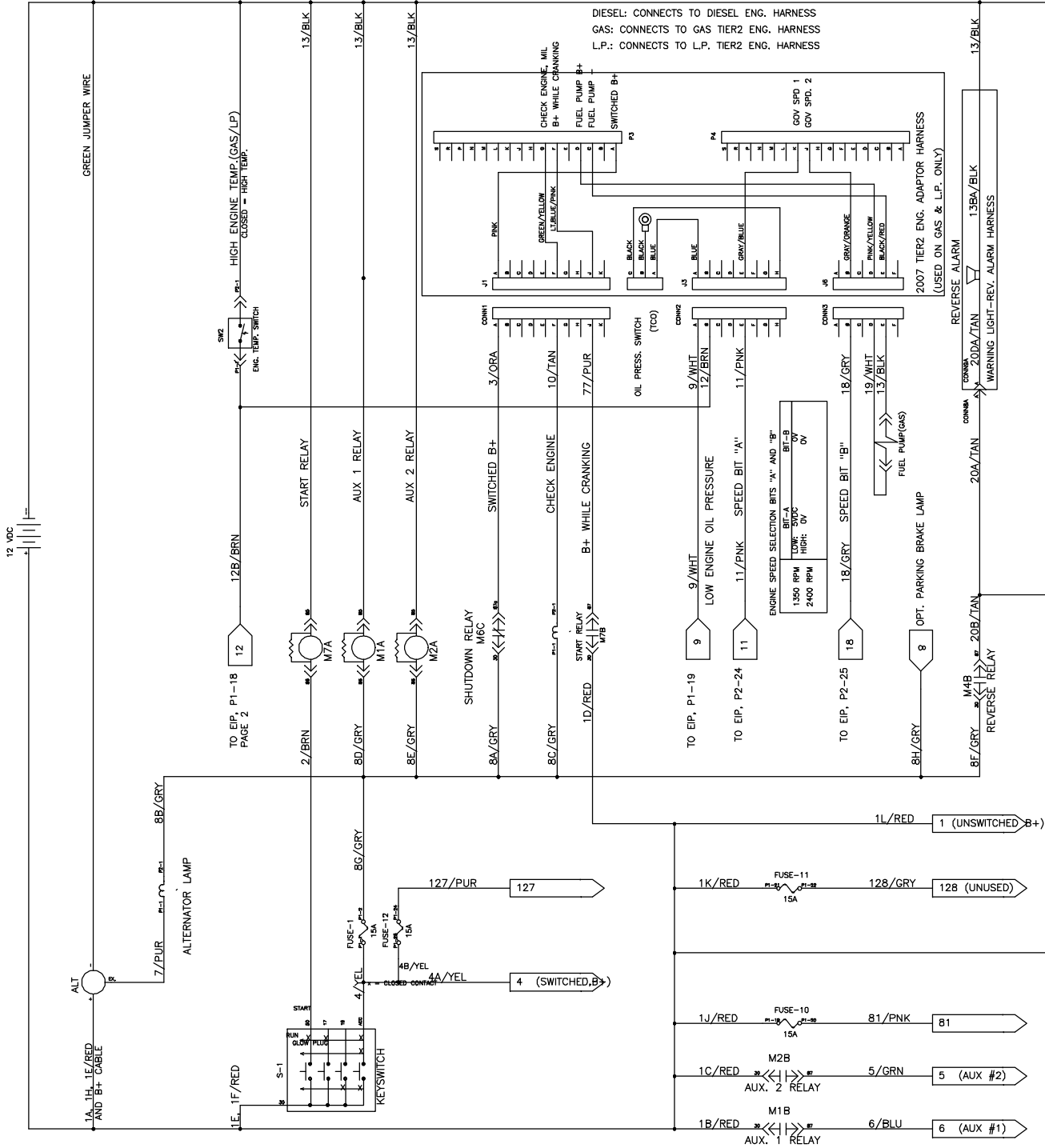
Fig. 58 - Electrical Schematic (00000-002532)



1018547

## Fig. 59 - Electrical Schematic (002533- )

1



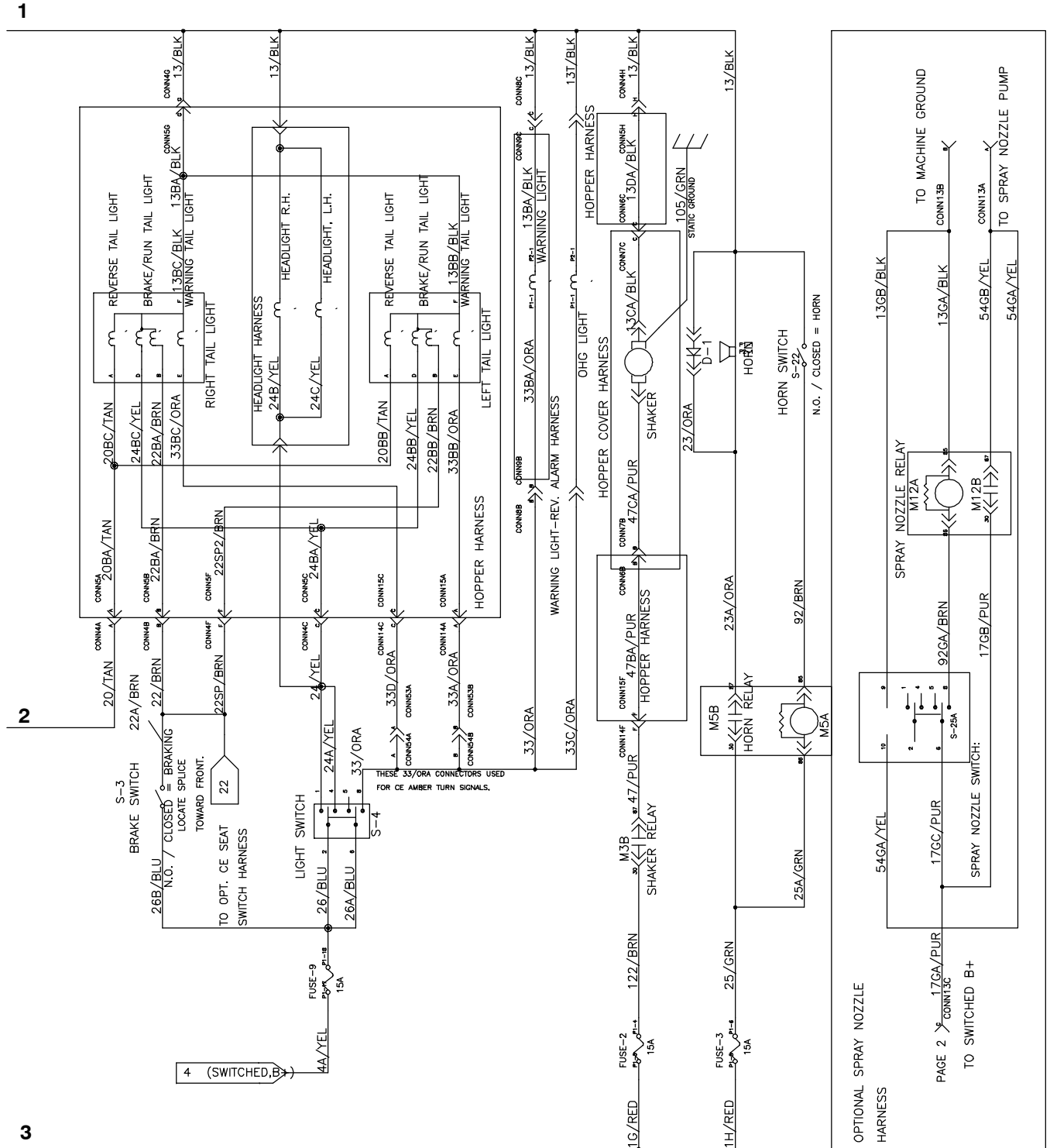
2

3

1018547 - 354458

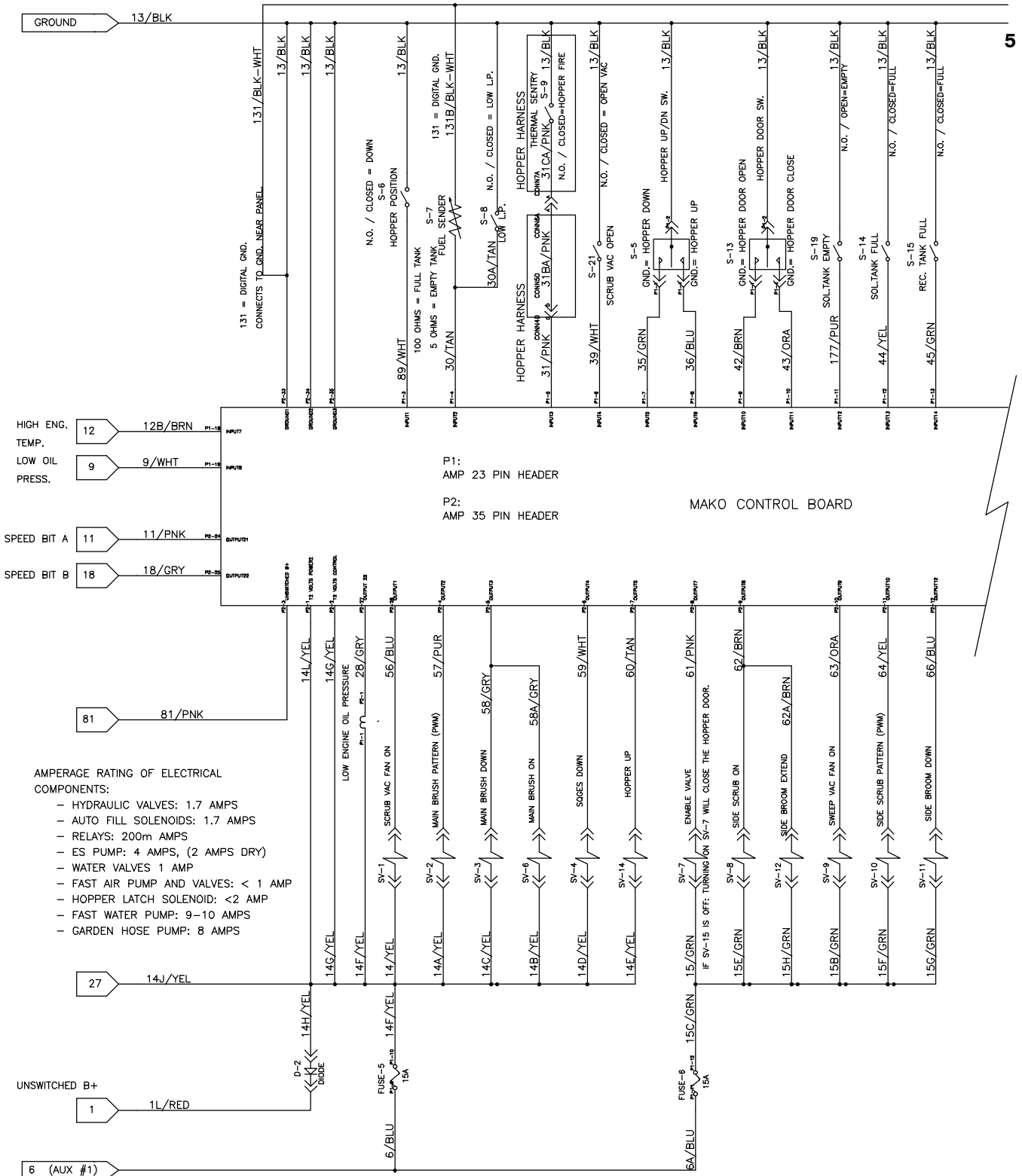


Fig. 59 - Electrical Schematic (002533-



1018547 - 354458

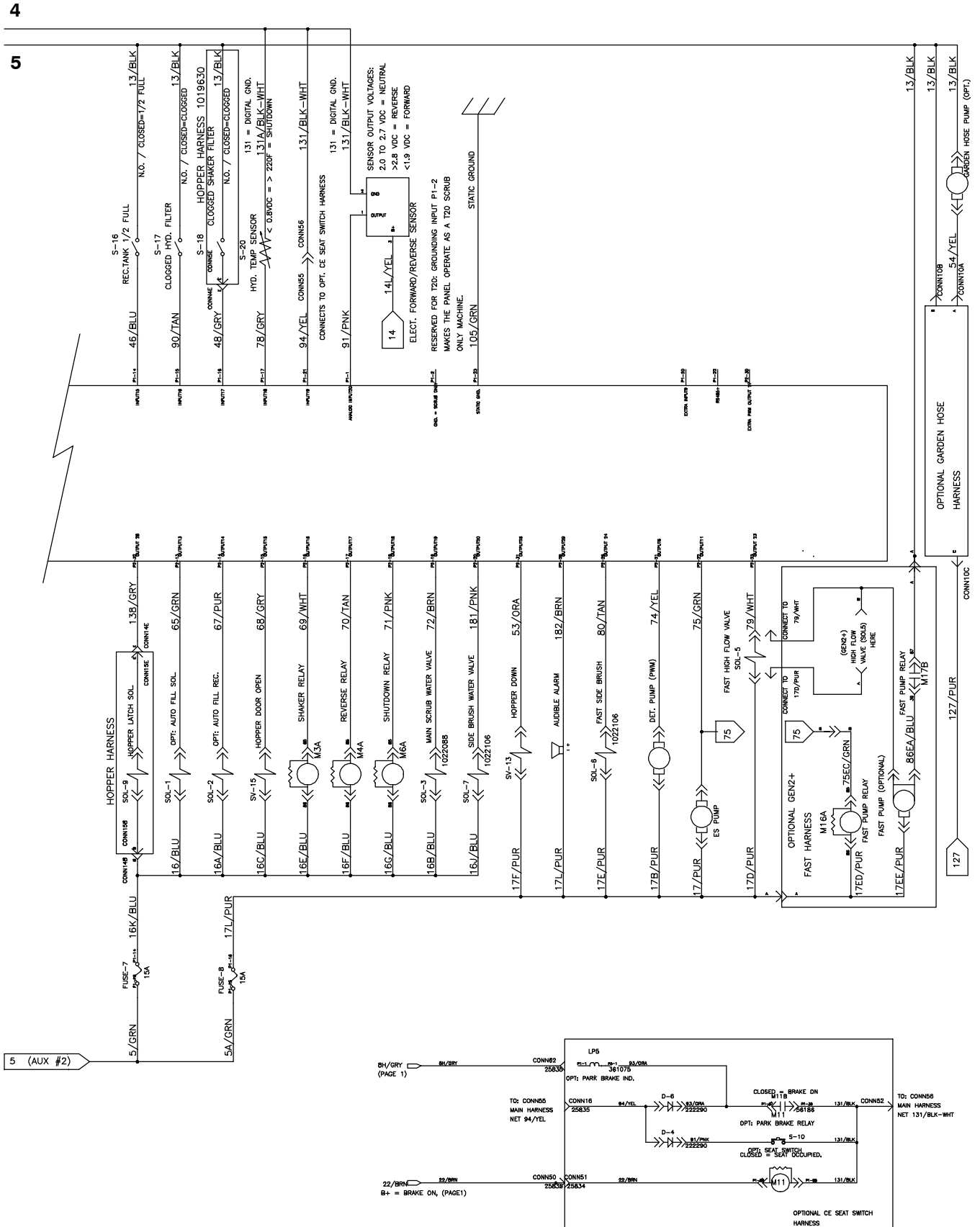
Fig. 59 - Electrical Schematic (002533- )



- AMPERAGE RATING OF ELECTRICAL COMPONENTS:
- HYDRAULIC VALVES: 1.7 AMPS
  - AUTO FILL SOLENOIDS: 1.7 AMPS
  - RELAYS: 200m AMPS
  - ES PUMP: 4 AMPS, (2 AMPS DRY)
  - WATER VALVES 1 AMP
  - FAST AIR PUMP AND VALVES: < 1 AMP
  - HOPPER LATCH SOLENOID: <2 AMP
  - FAST WATER PUMP: 9-10 AMPS
  - GARDEN HOSE PUMP: 8 AMPS

1018547 - 354458

Fig. 59 - Electrical Schematic (002533- )



1018547 - 354458

Fig. 60 - Electrical Schematic, Diesel Engine Harness

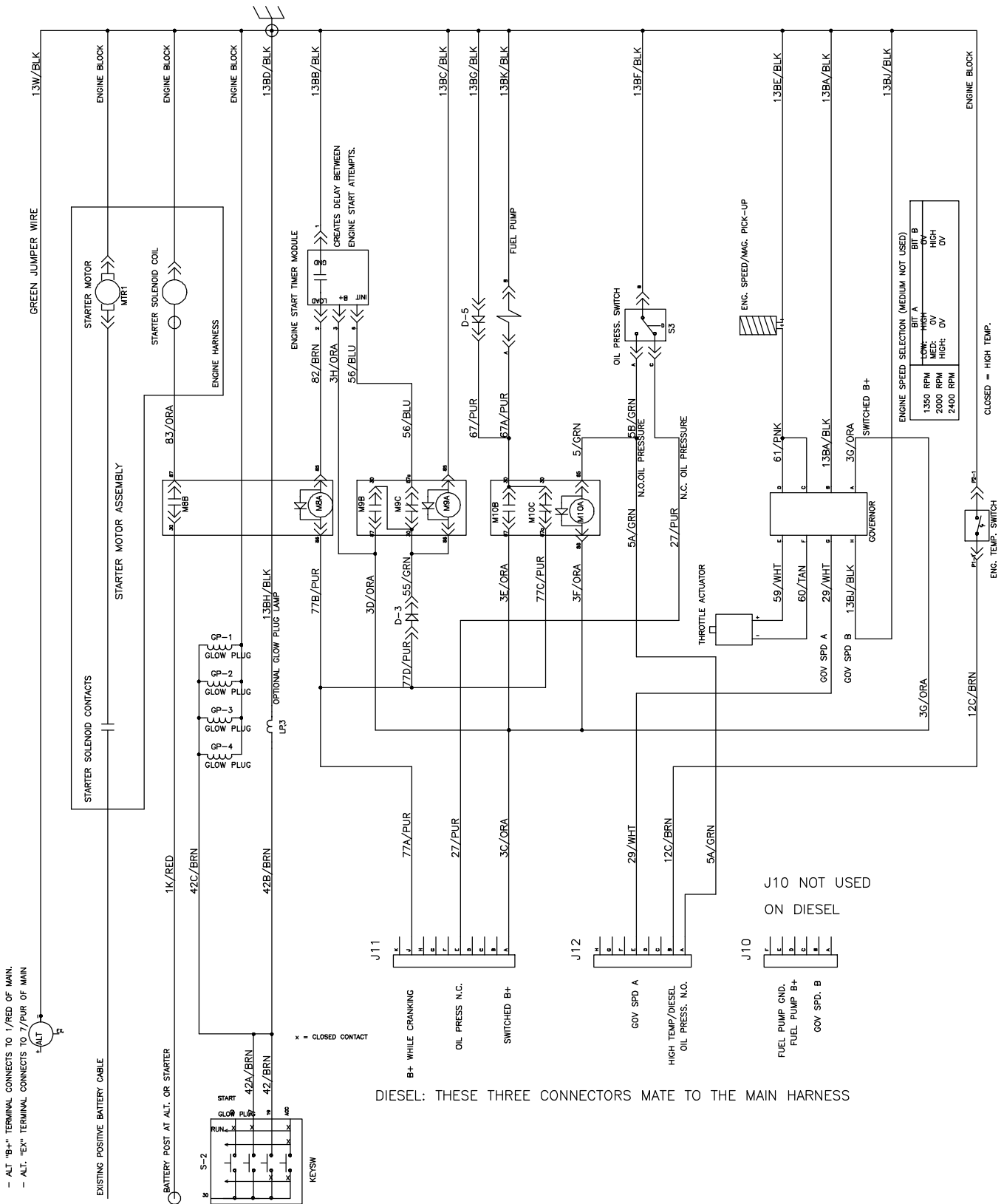


Fig. 61 - Electrical Wire Harnesses Group

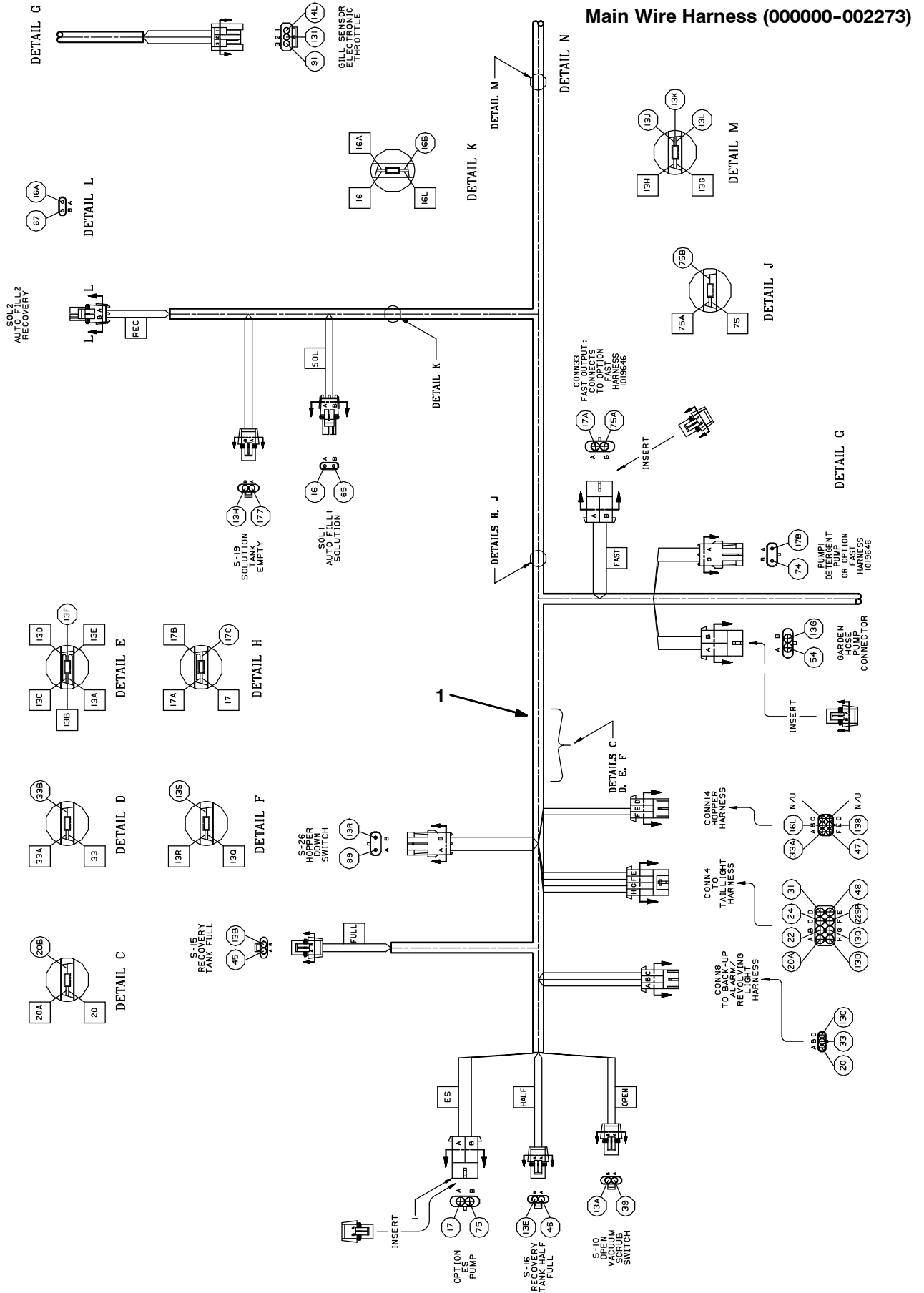


Fig. 61 - Electrical Wire Harness Group

Main Wire Harness (000000-002273)

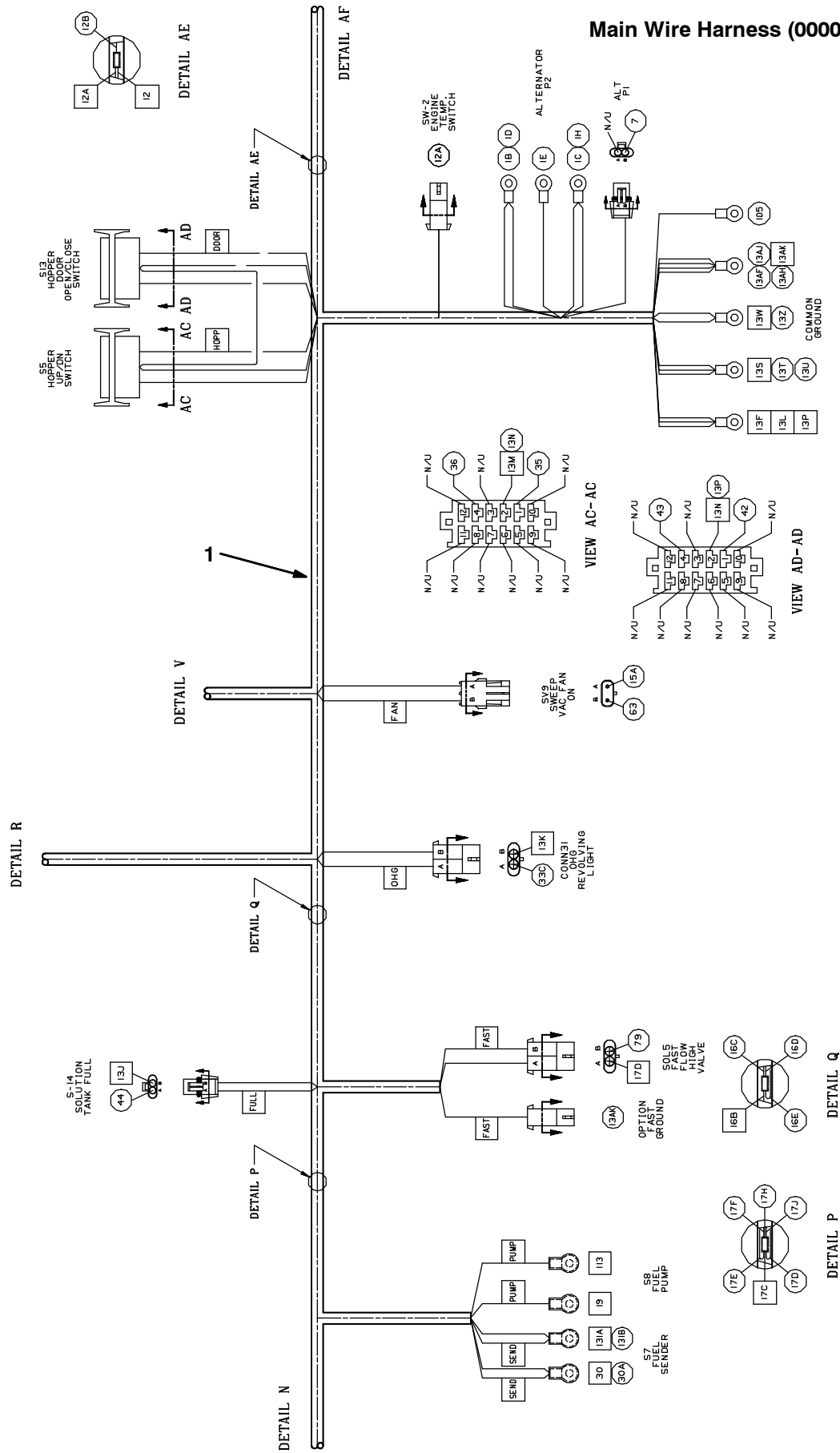


Fig. 61 - Electrical Wire Harness Group

Main Wire Harness (000000-002273)

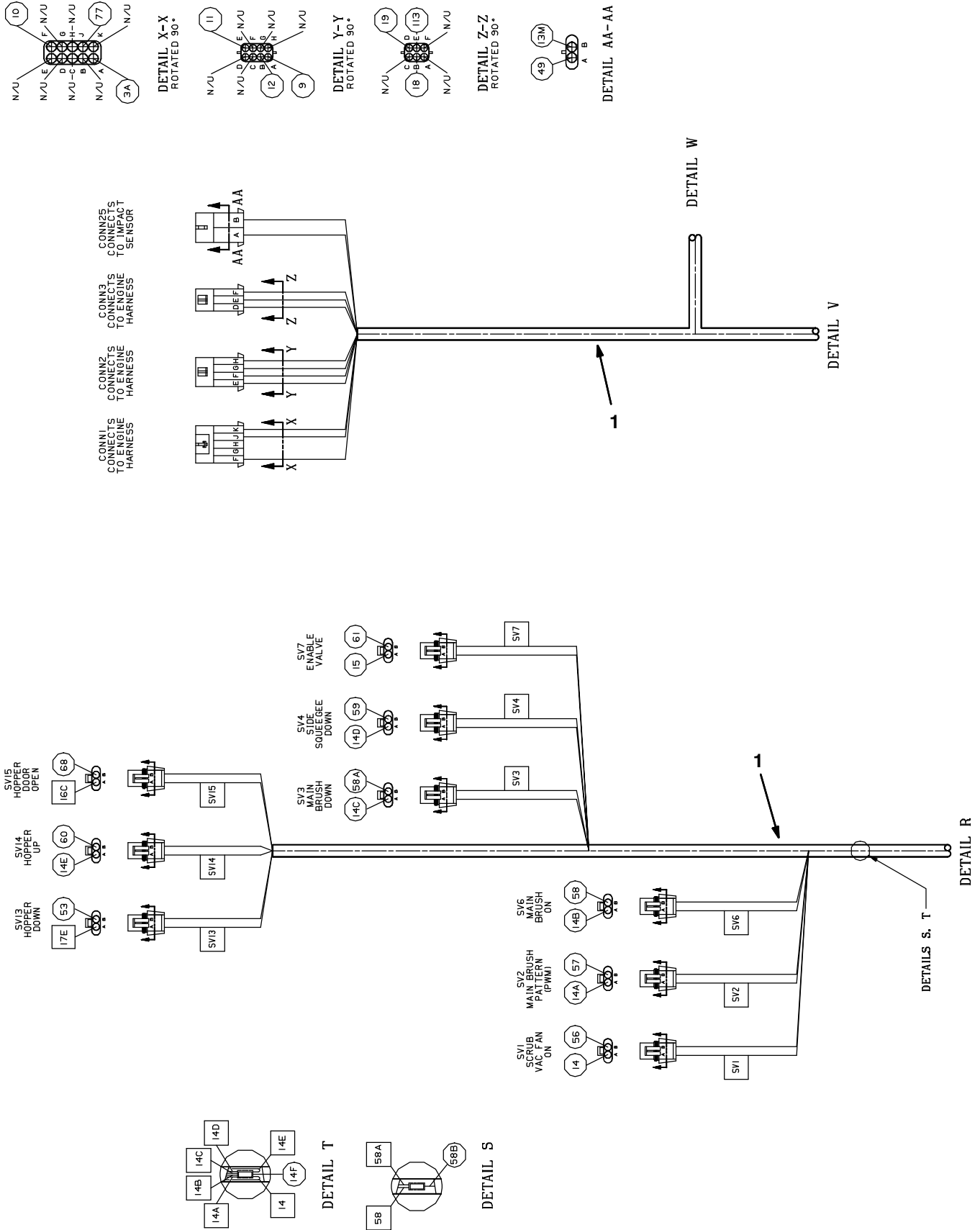


Fig. 61 - Electrical Wire Harnesses Group

Main Wire Harness (000000-002273)

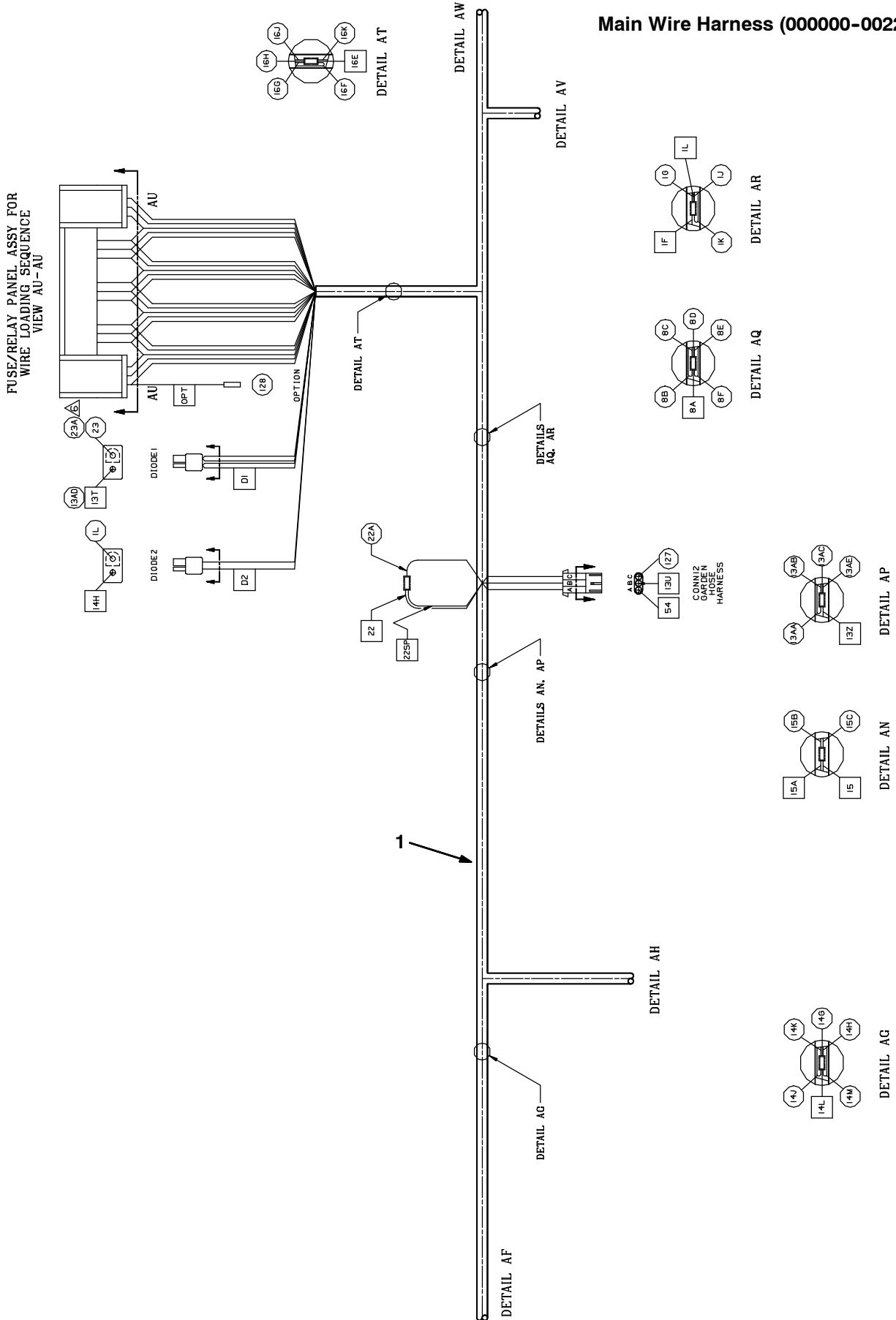




Fig. 61 - Electrical Wire Harness Group

Main Wire Harness (000000-002273)

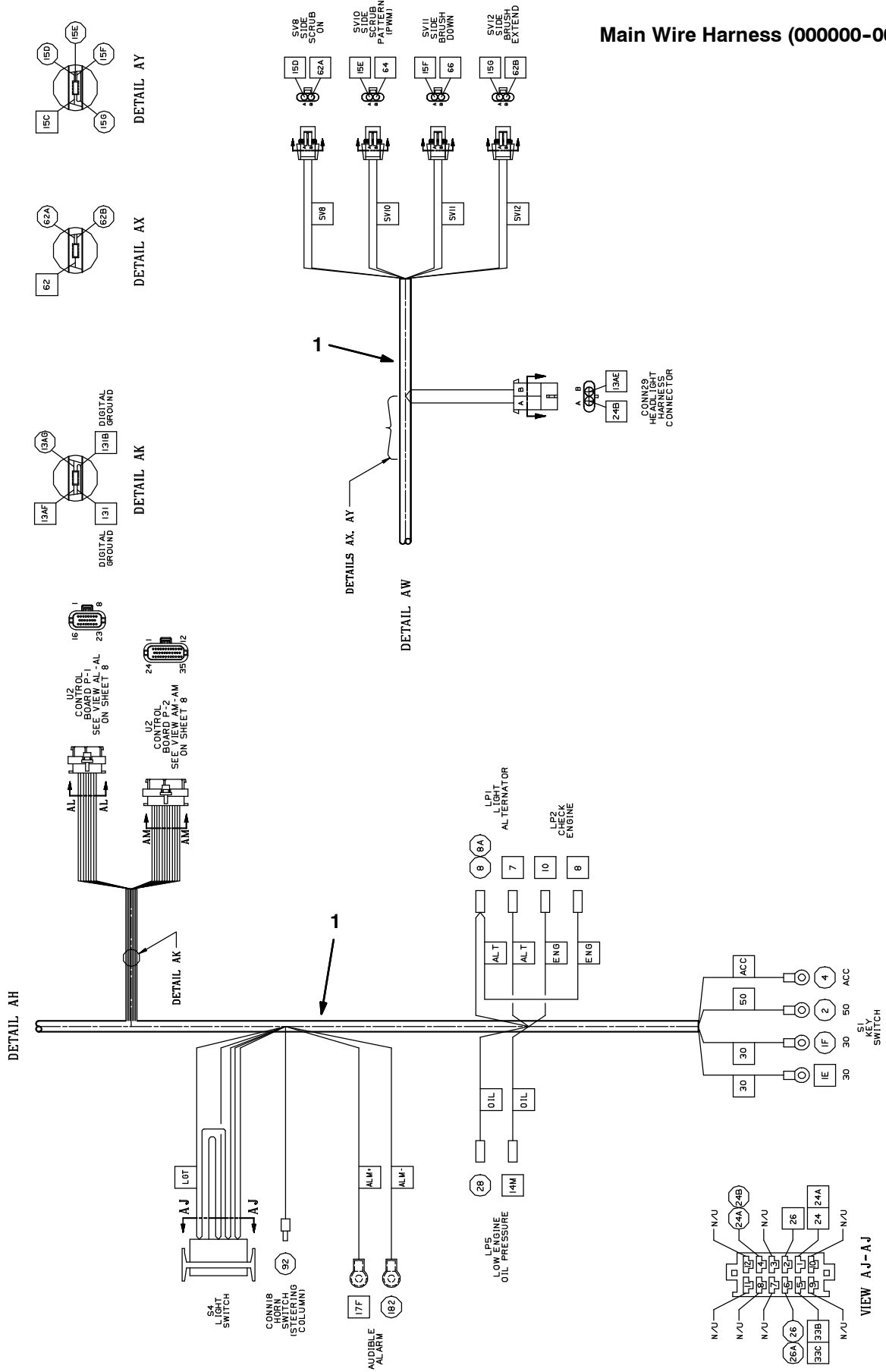


Fig. 61 - Electrical Wire Harness Group

Main Wire Harness (000000-002273)

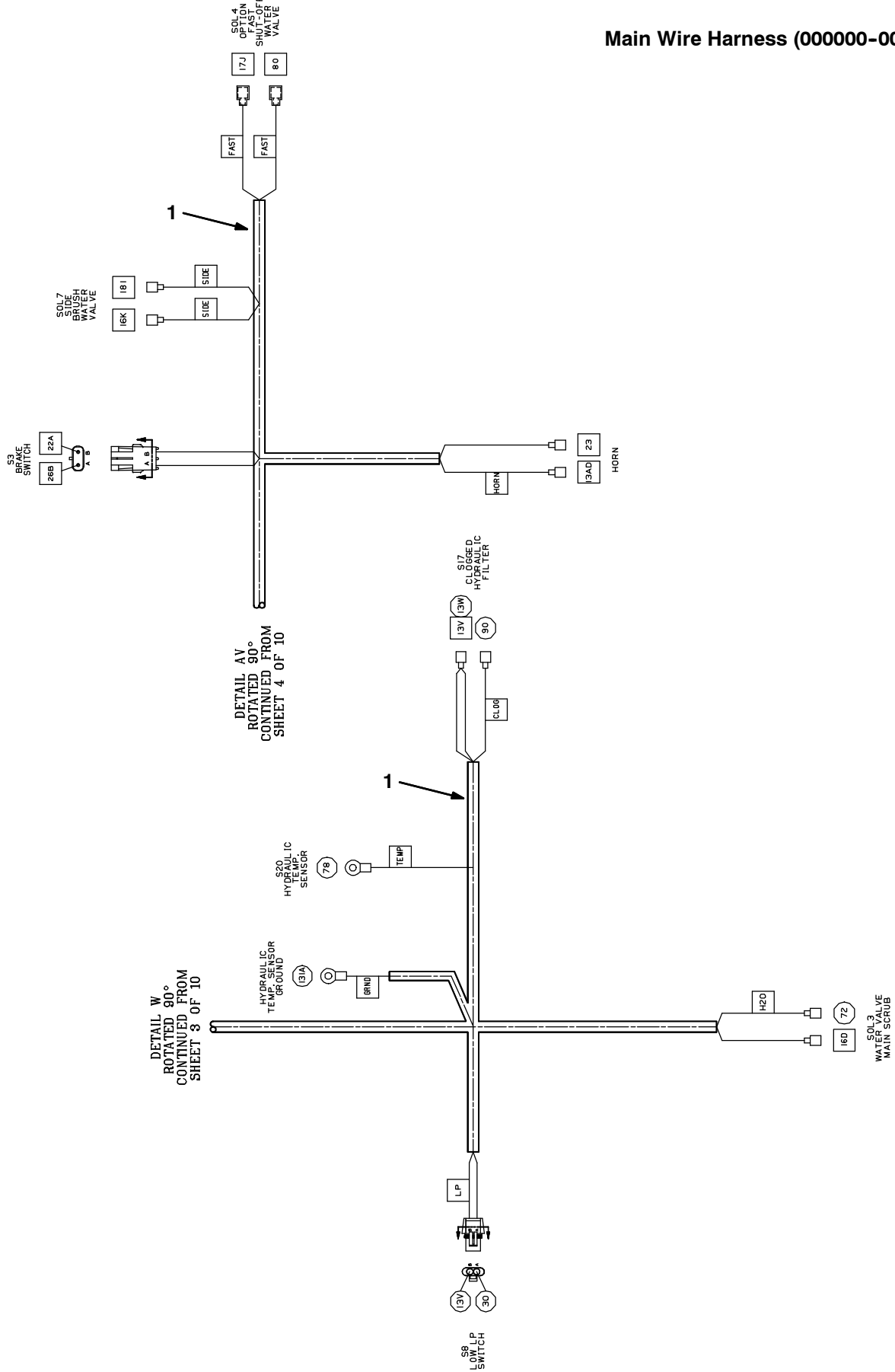


Fig. 61 - Electrical Wire Harnesses Group

Main Wire Harness (000000-002273)

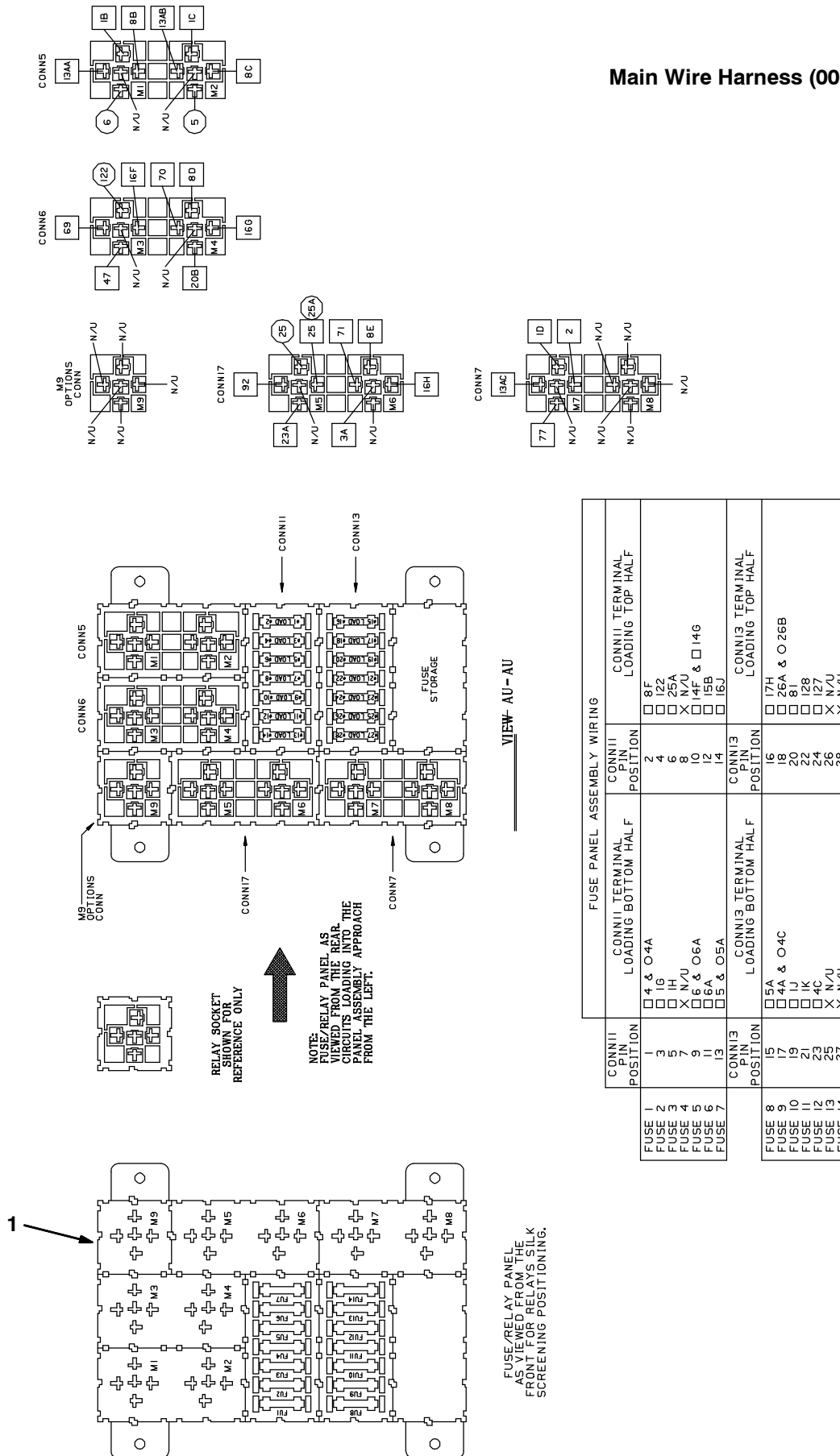


Fig. 61 - Electrical Wire Harnesses Group

Main Wire Harness (002274- )

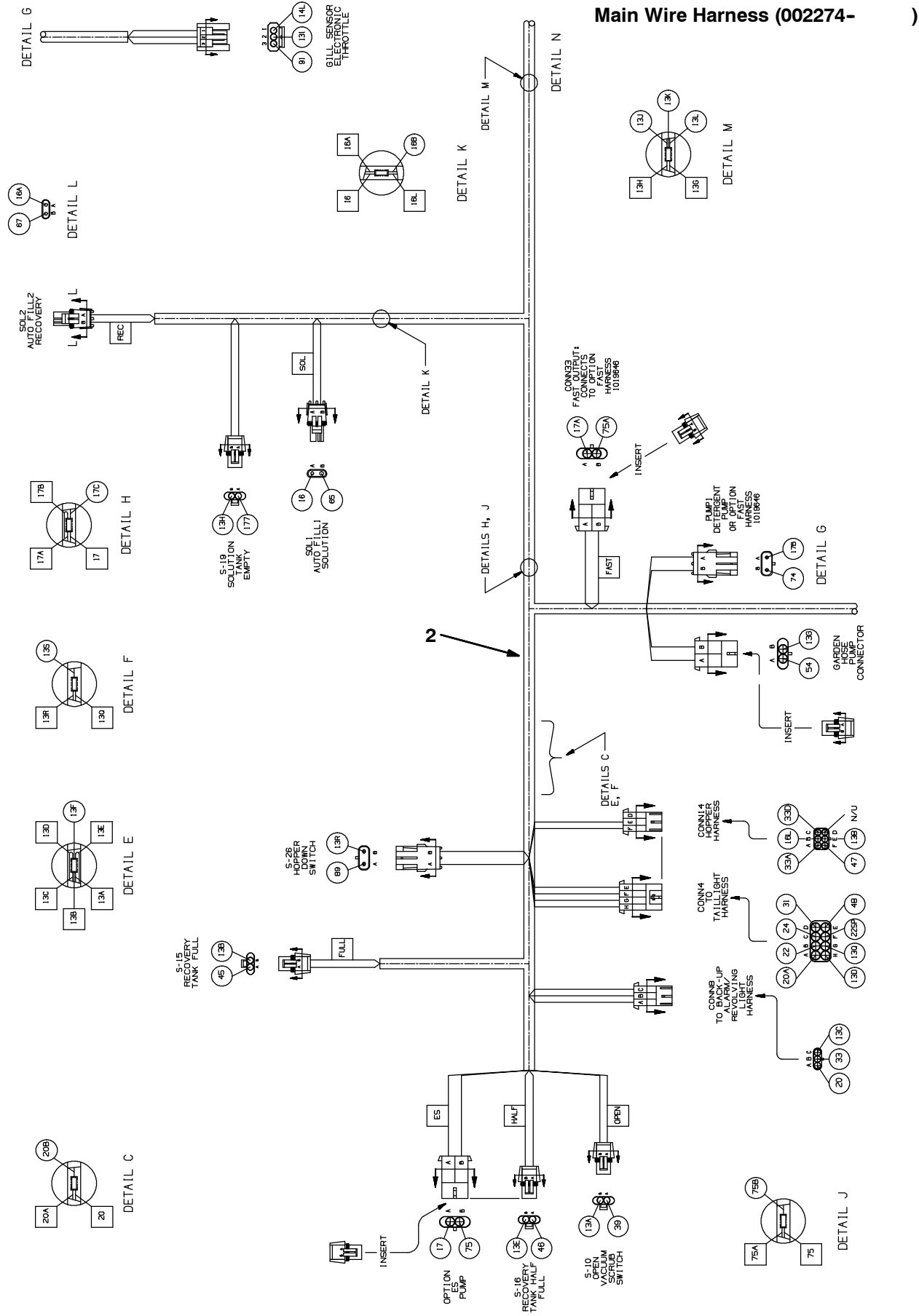


Fig. 61 - Electrical Wire Harnesses Group

Main Wire Harness (002274- )

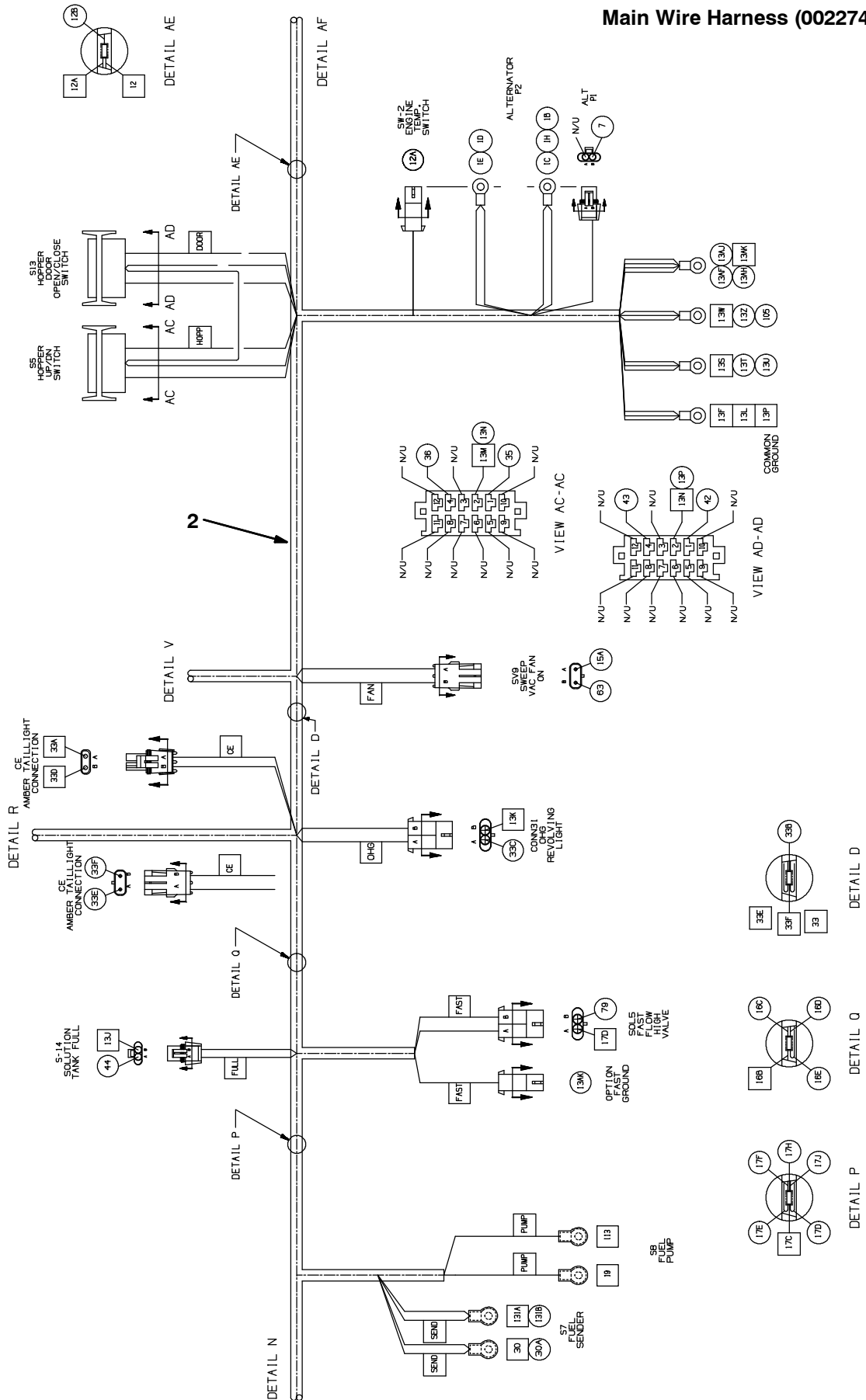


Fig. 61 - Electrical Wire Harnesses Group

Main Wire Harness (002274- )

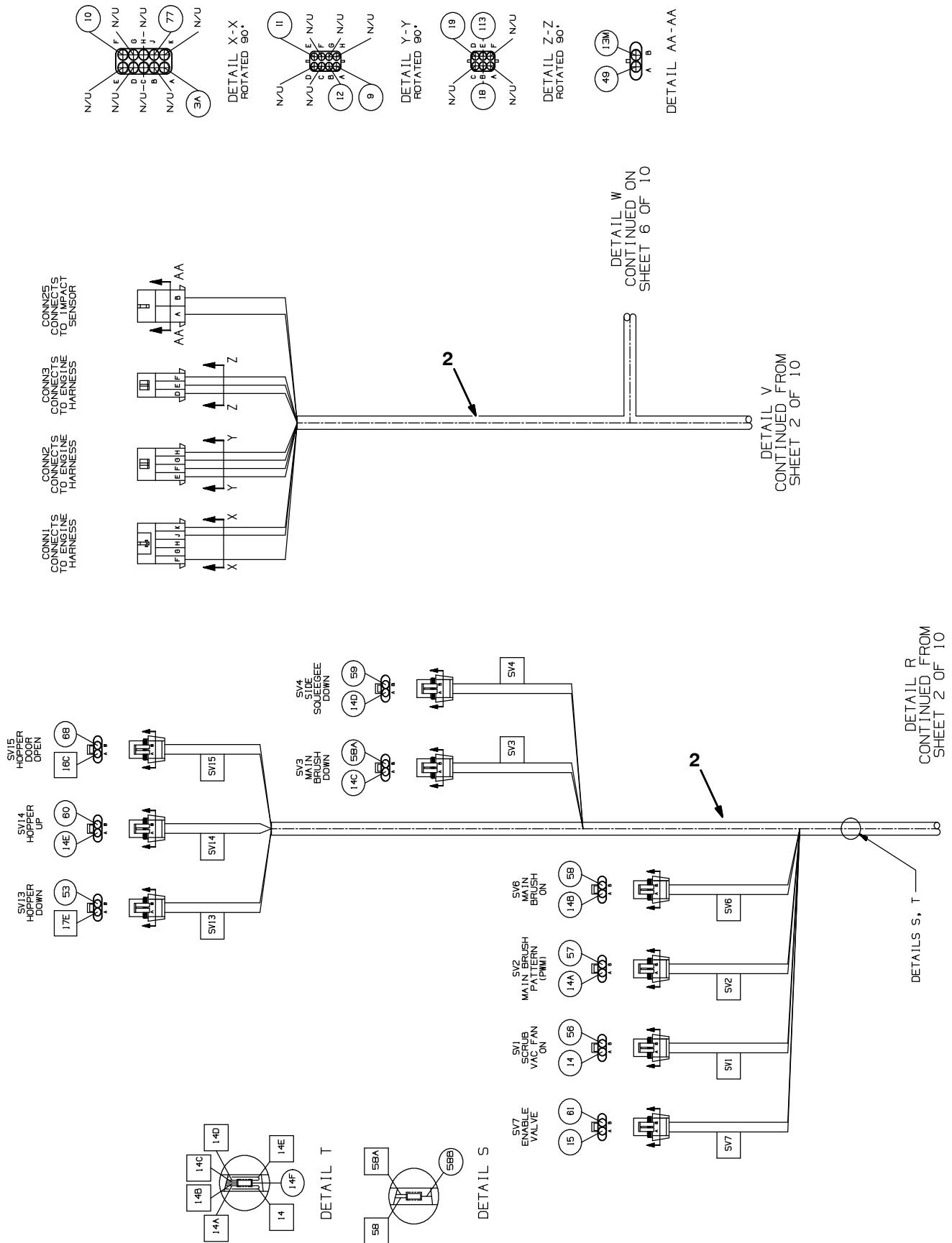


Fig. 61 - Electrical Wire Harnesses Group

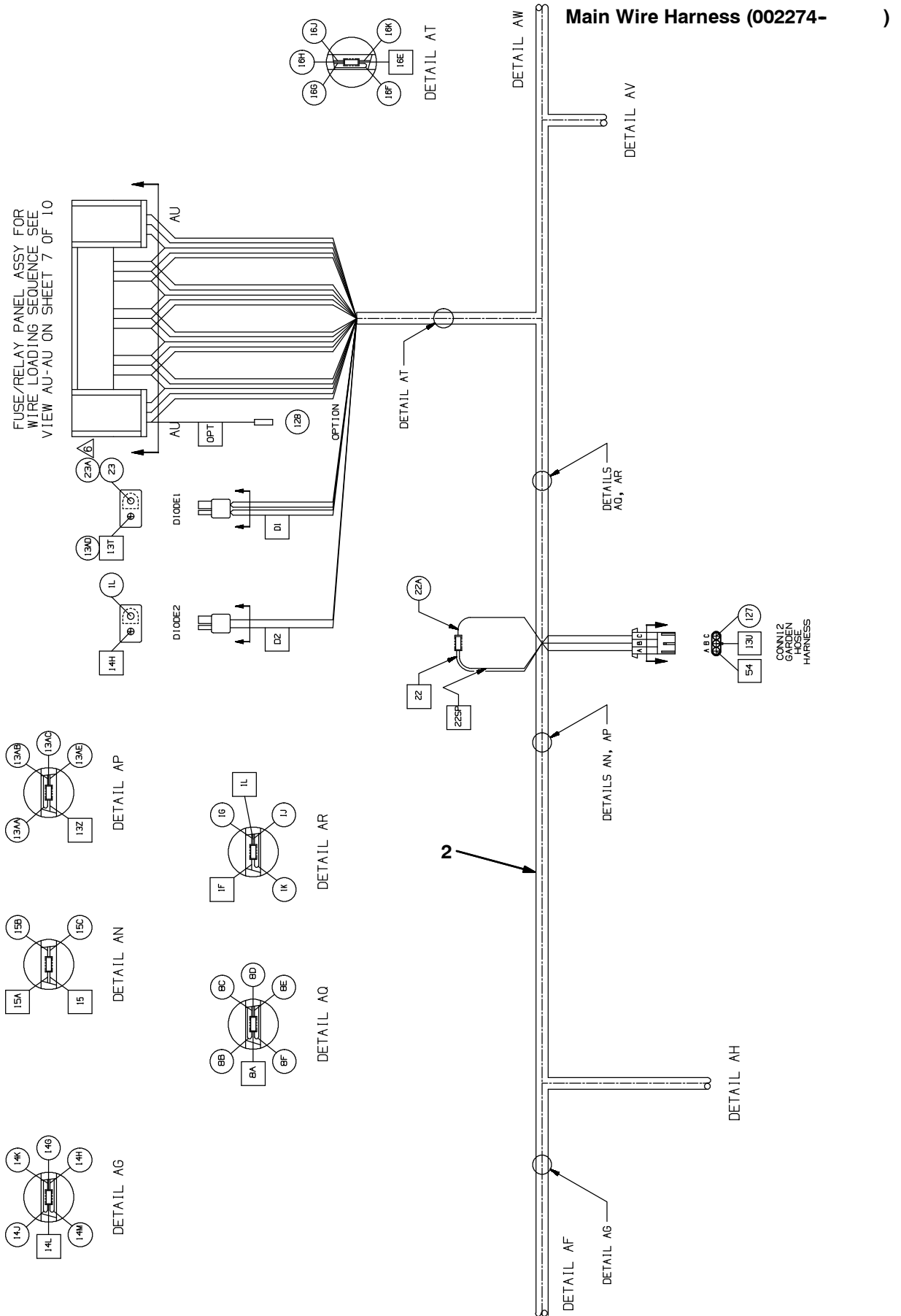


Fig. 61 - Electrical Wire Harnesses Group

Main Wire Harness (002274- )

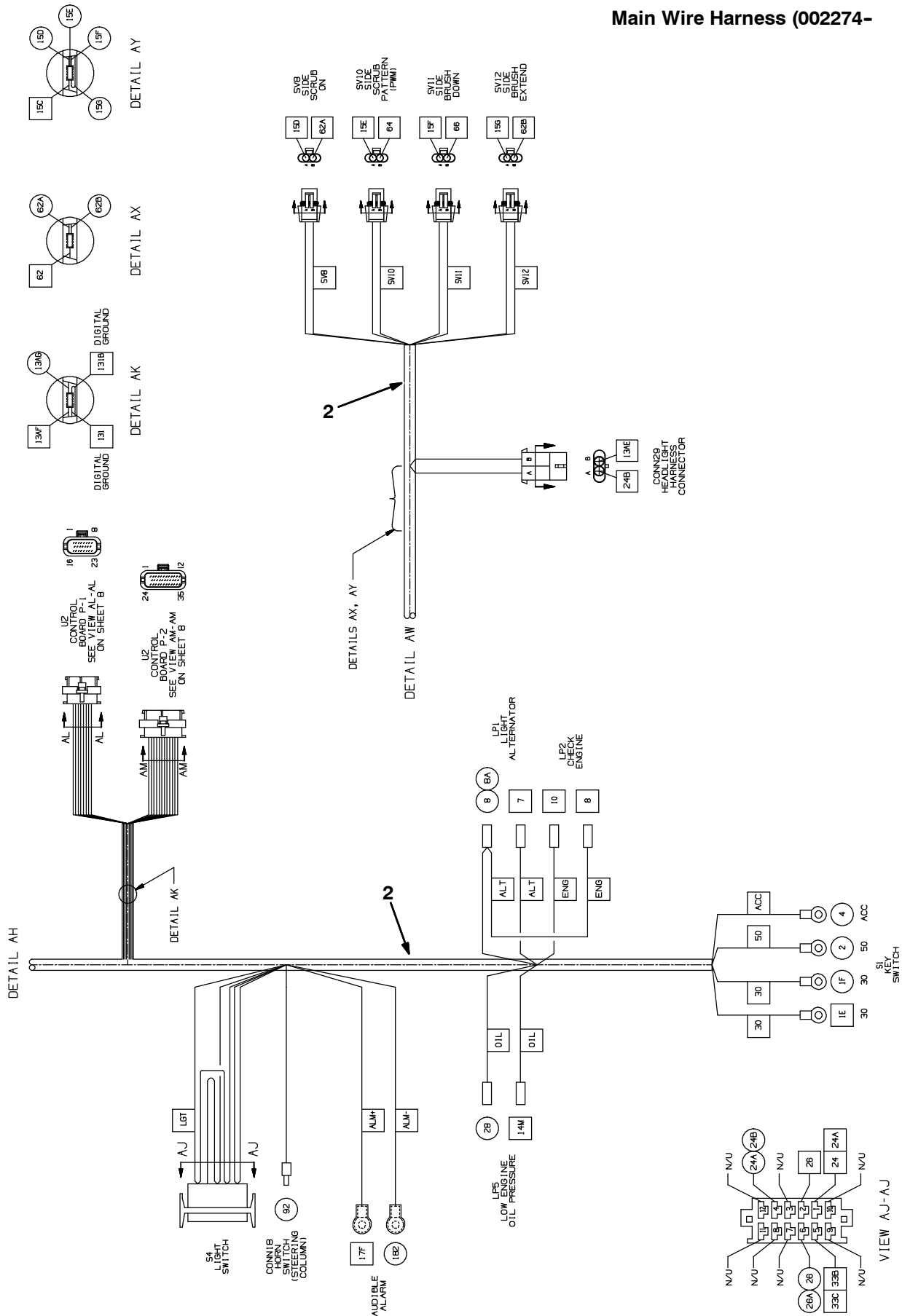




Fig. 61 - Electrical Wire Harness Group

Main Wire Harness (002274- )

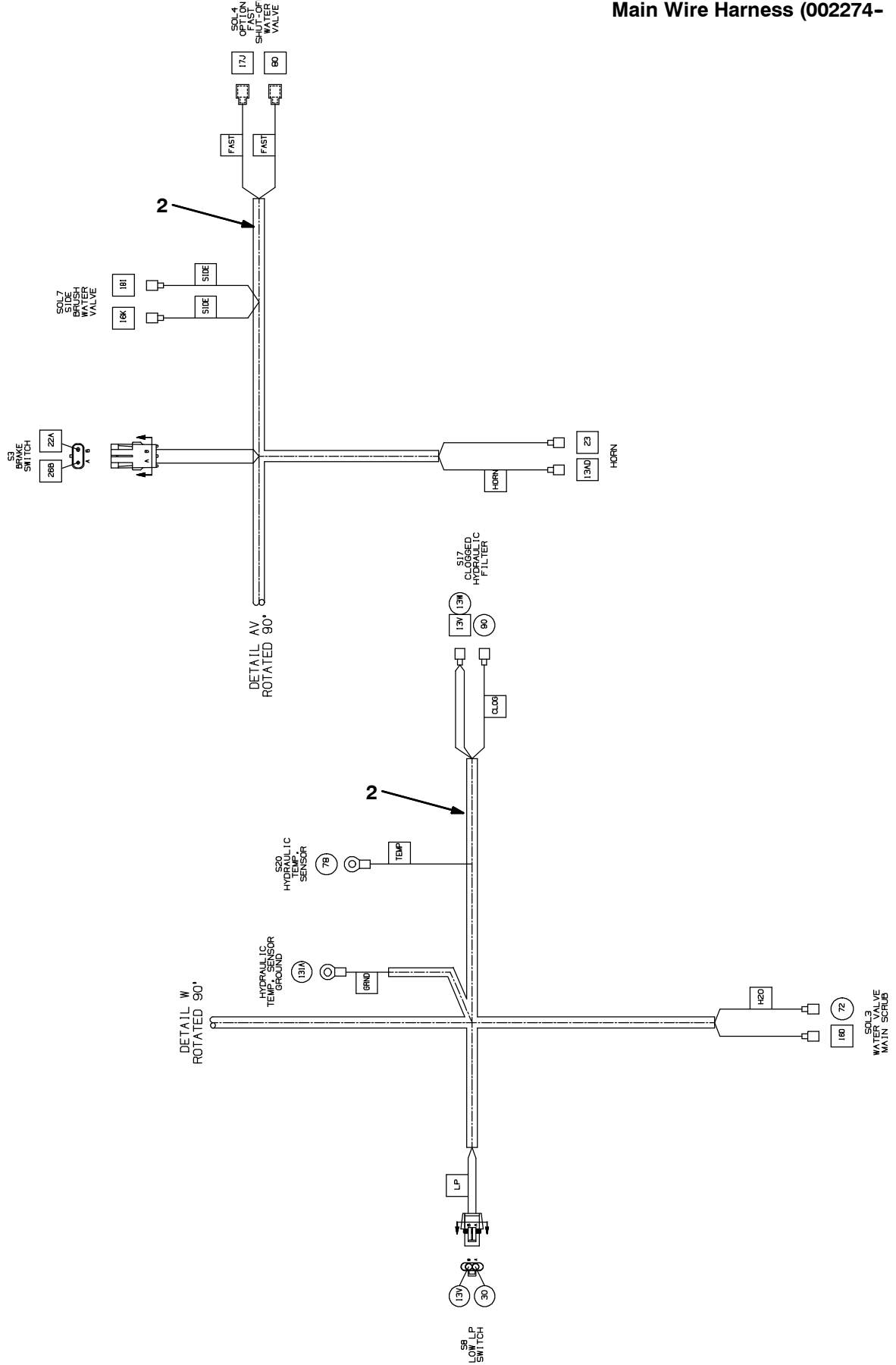
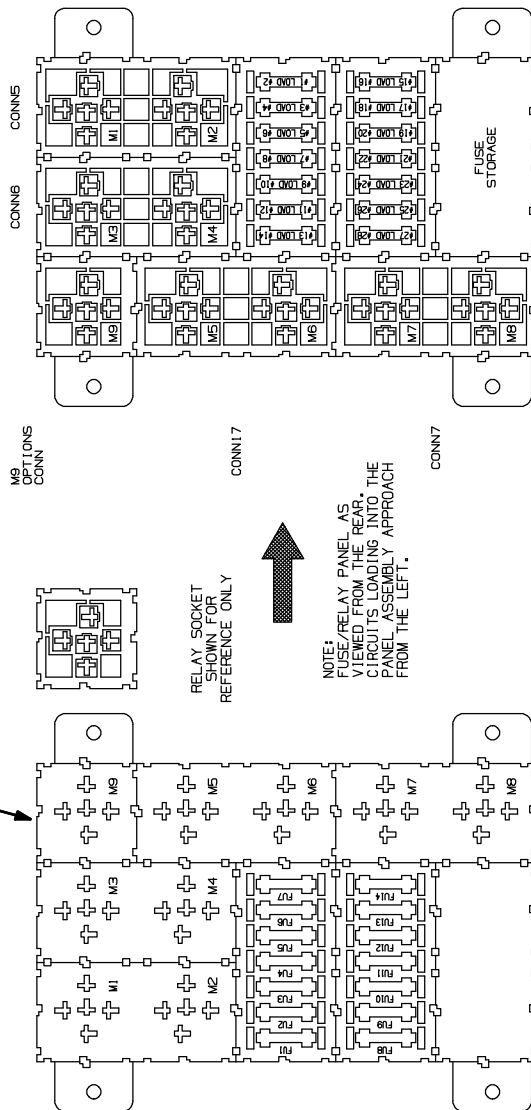
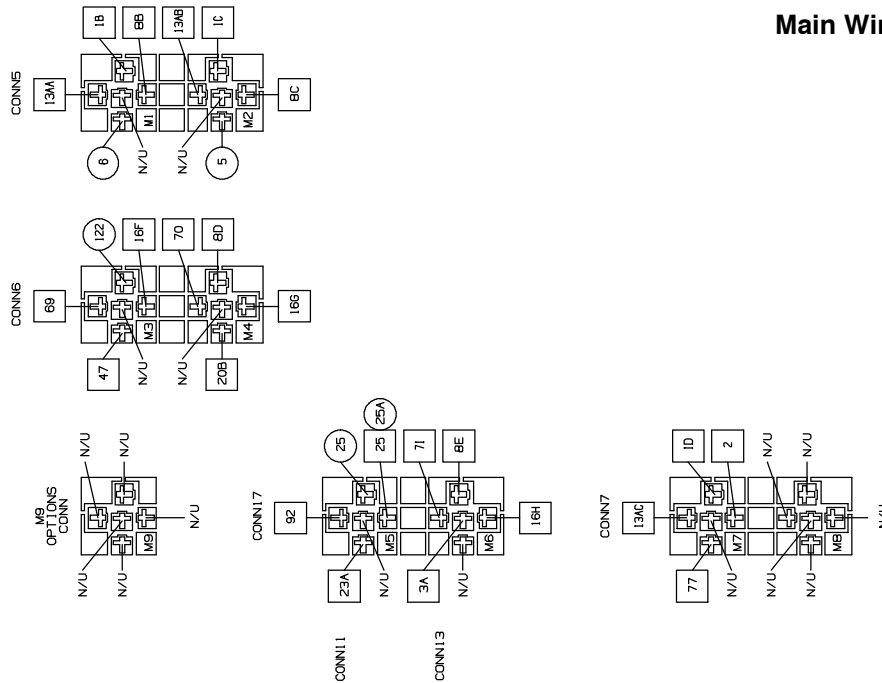


Fig. 61 - Electrical Wire Harnesses Group

Main Wire Harness (002274- )



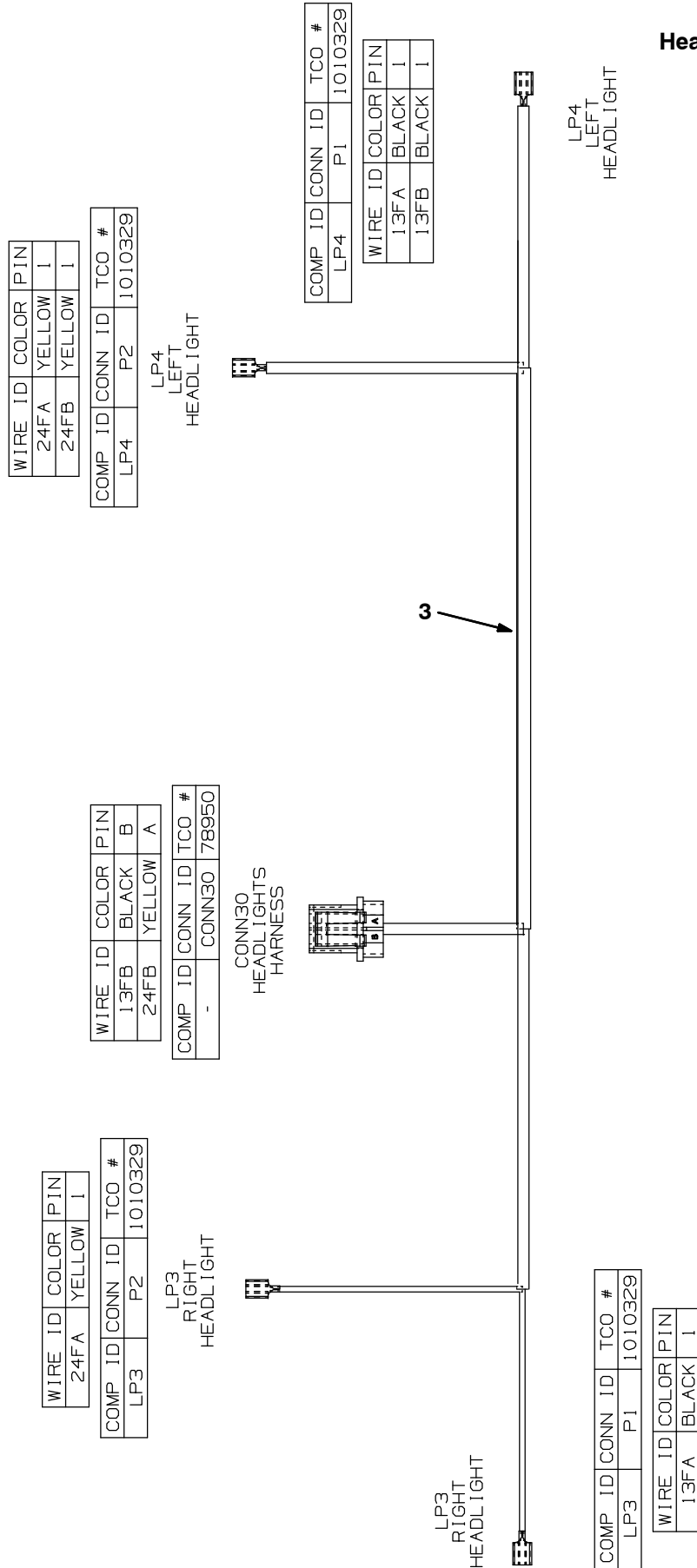
VIEW AU-AU — CONTINUED FROM SHEET 4 OF 10

FUSE/RELAY PANEL AS VIEWED FROM THE FRONT FOR RELAYS SILK SCREENING POSITIONING.

FUSE PANEL ASSEMBLY WIRING			
FUSE	CONN11 PIN POSITION	CONN11 TERMINAL LOADING BOTTOM HALF	CONN11 TERMINAL LOADING TOP HALF
FUSE 1	1	<input type="checkbox"/> 4 & O 4A	<input type="checkbox"/> 8F
FUSE 2	3	<input type="checkbox"/> 16	<input type="checkbox"/> 122
FUSE 3	5	<input type="checkbox"/> 1H	<input type="checkbox"/> 25A
FUSE 4	7	<input type="checkbox"/> N/U	<input type="checkbox"/> N/U
FUSE 5	9	<input type="checkbox"/> 6 & O 6A	<input type="checkbox"/> 14F & O 14G
FUSE 6	11	<input type="checkbox"/> 6A	<input type="checkbox"/> 15B
FUSE 7	13	<input type="checkbox"/> 5 & O 5A	<input type="checkbox"/> 16J
	CONN13 PIN POSITION	CONN13 TERMINAL LOADING BOTTOM HALF	CONN13 TERMINAL LOADING TOP HALF
FUSE 8	15	<input type="checkbox"/> 5A	<input type="checkbox"/> 17H
FUSE 9	17	<input type="checkbox"/> 4A & O 4C	<input type="checkbox"/> 26A & O 26B
FUSE 10	19	<input type="checkbox"/> 1J	<input type="checkbox"/> 81
FUSE 11	21	<input type="checkbox"/> 1K	<input type="checkbox"/> 12B
FUSE 12	23	<input type="checkbox"/> 4C	<input type="checkbox"/> 127
FUSE 13	25	<input type="checkbox"/> X N/U	<input type="checkbox"/> X N/U
FUSE 14	27	<input type="checkbox"/> X N/U	<input type="checkbox"/> X N/U

Fig. 61 - Electrical Wire Harnesses Group

Headlight Wire Harness



## Fig. 61 - Electrical Wire Harnesses Group

### Hopper Wire Harness (000000-002273)

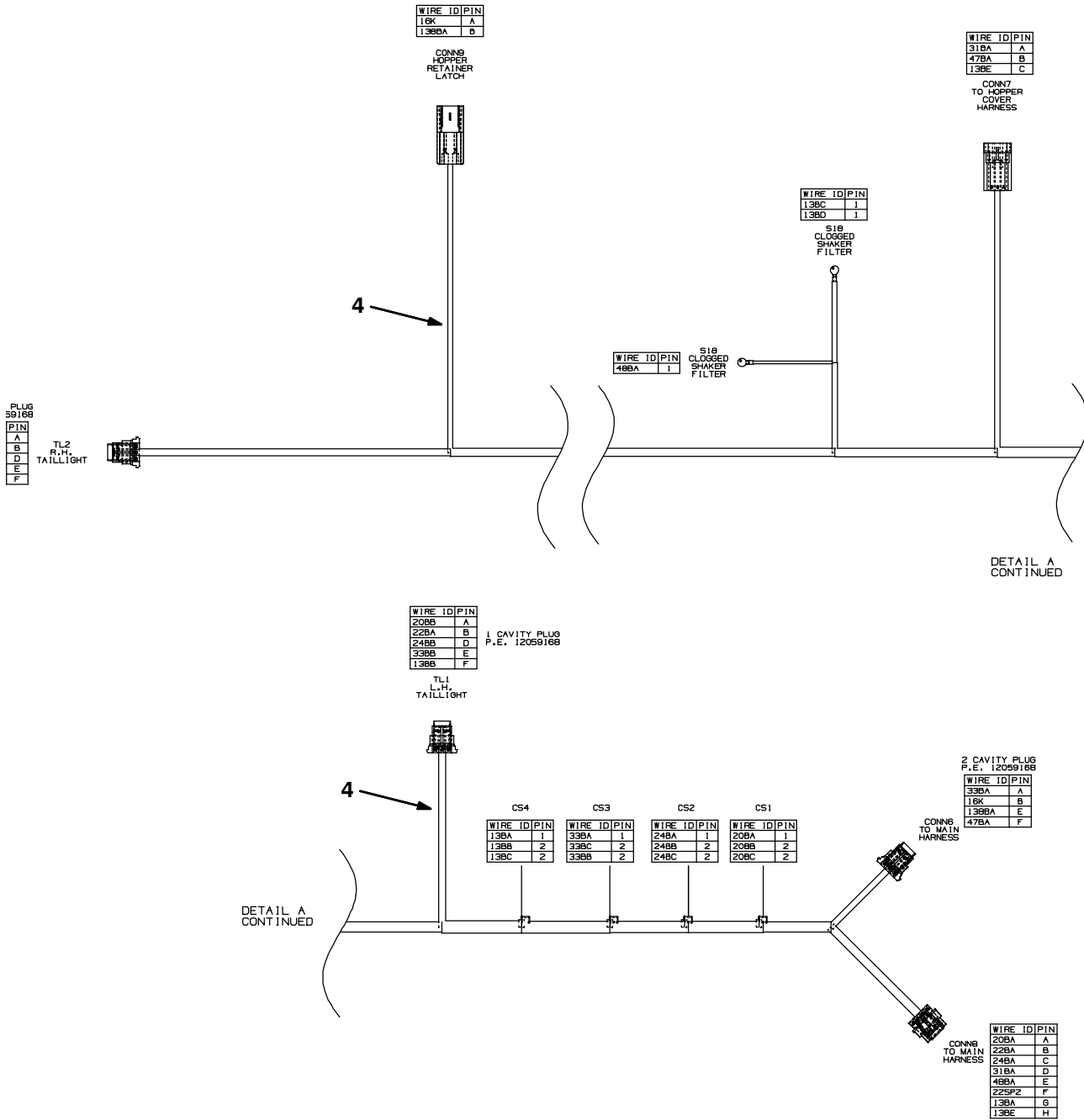


Fig. 61 - Electrical Wire Harnesses Group

Hopper Wire Harness (002274- )

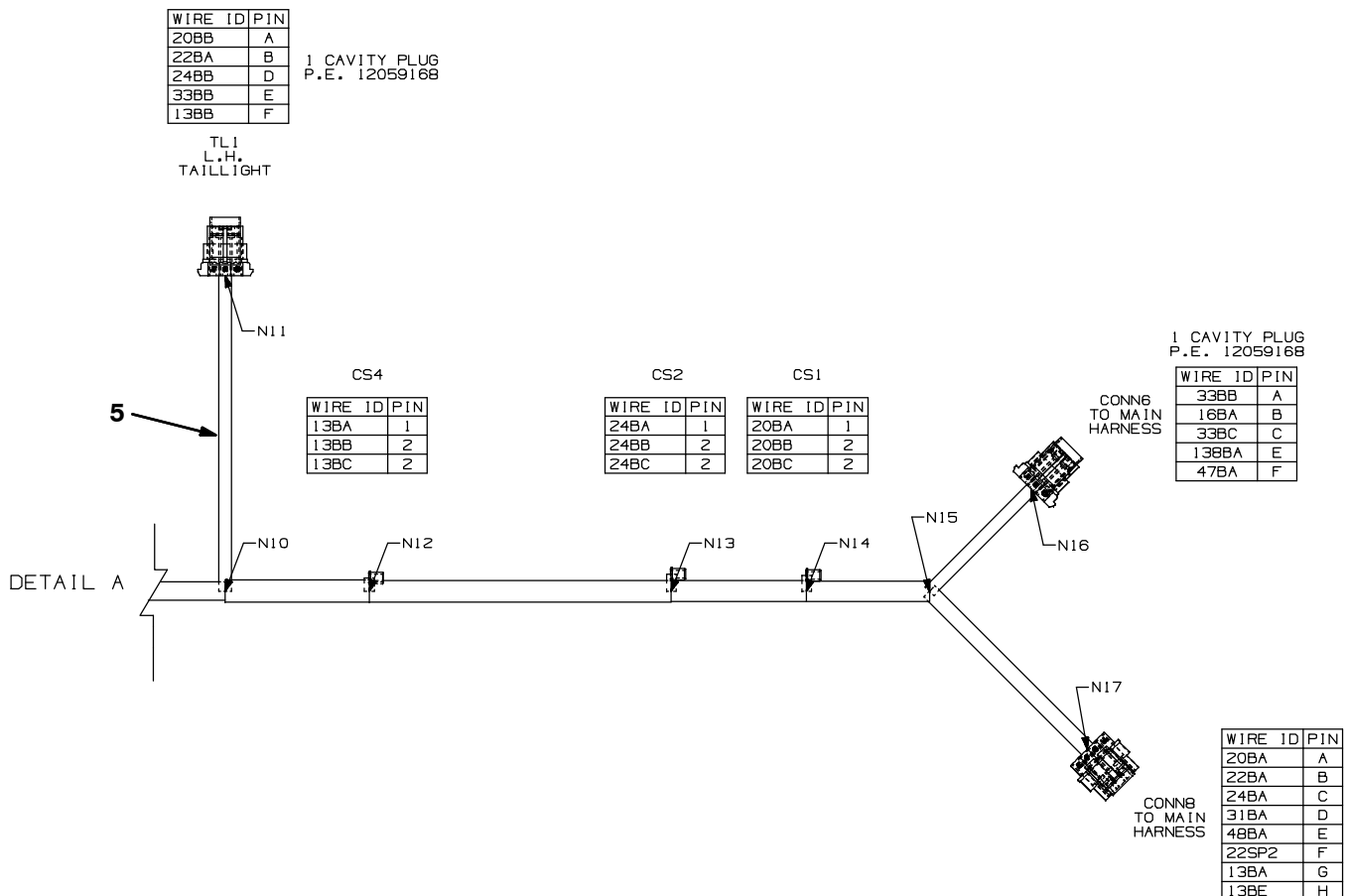
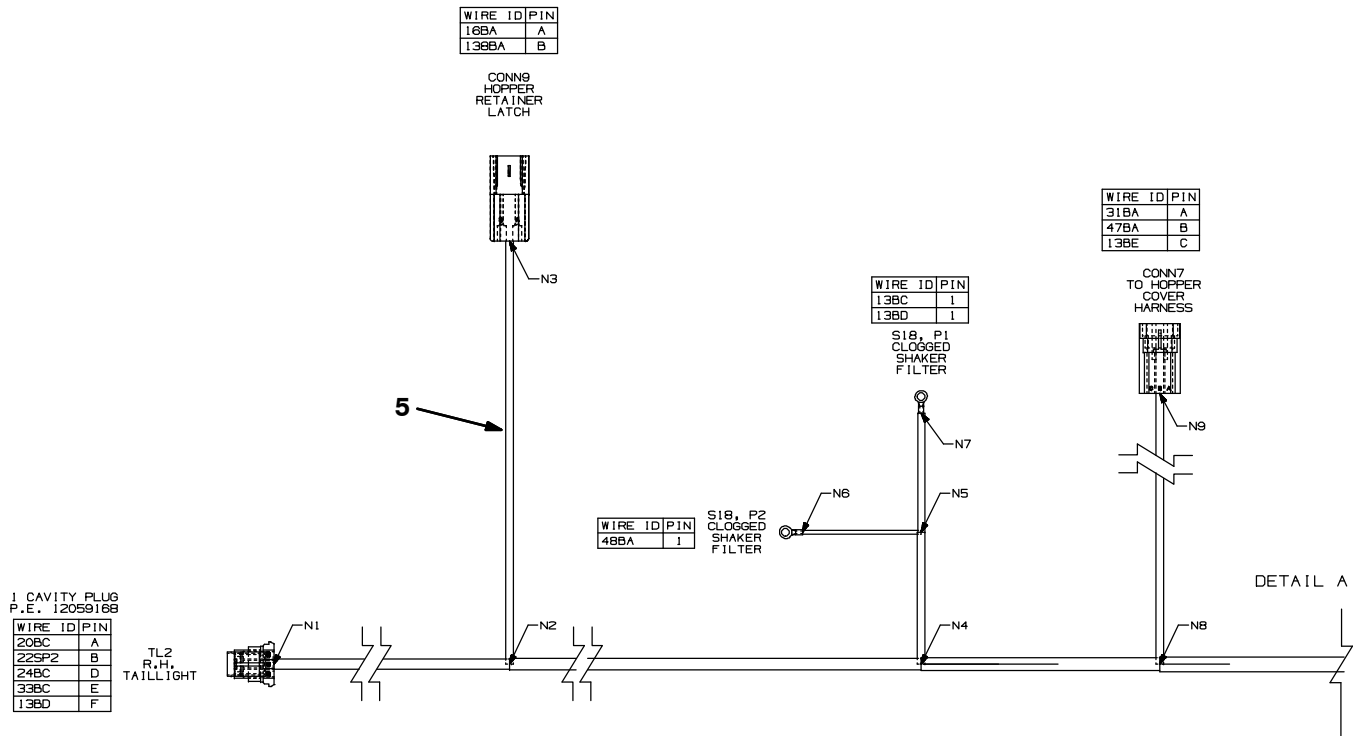


Fig. 61 - Electrical Wire Harnesses Group

Hopper Cover Wire Harness

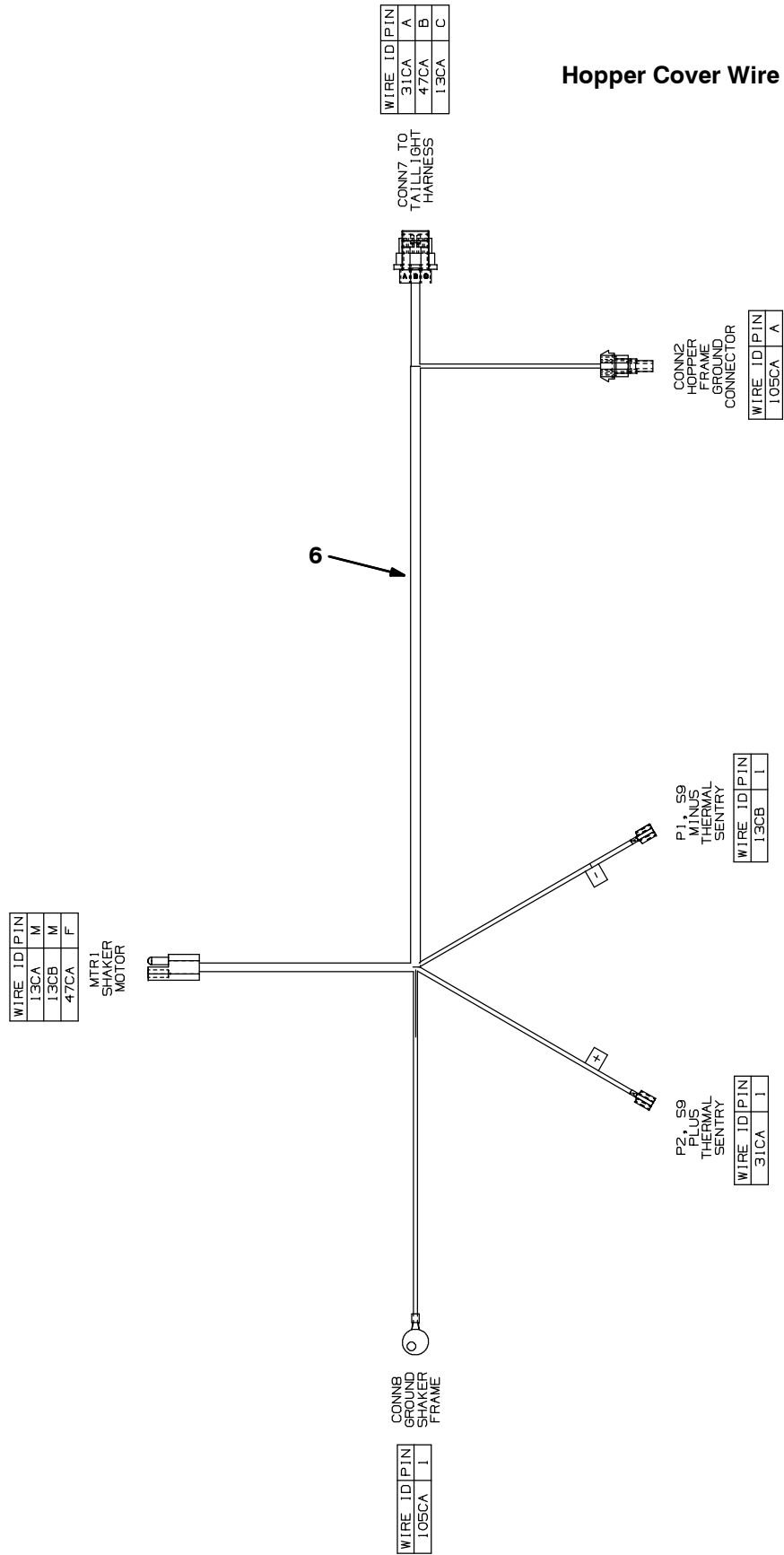


Fig. 61 - Electrical Wire Harness Group

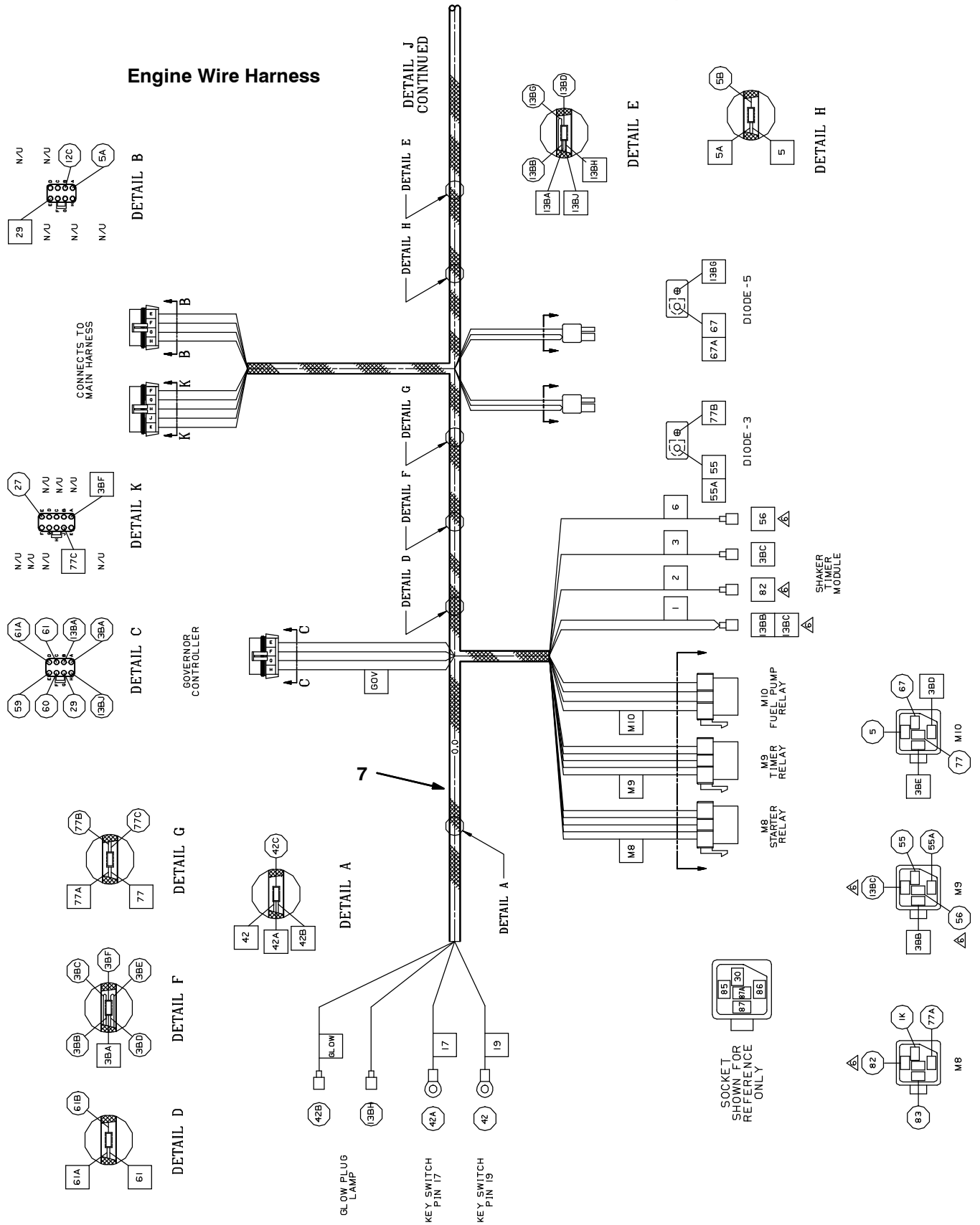


Fig. 61 - Electrical Wire Harnesses Group

Engine Wire Harness

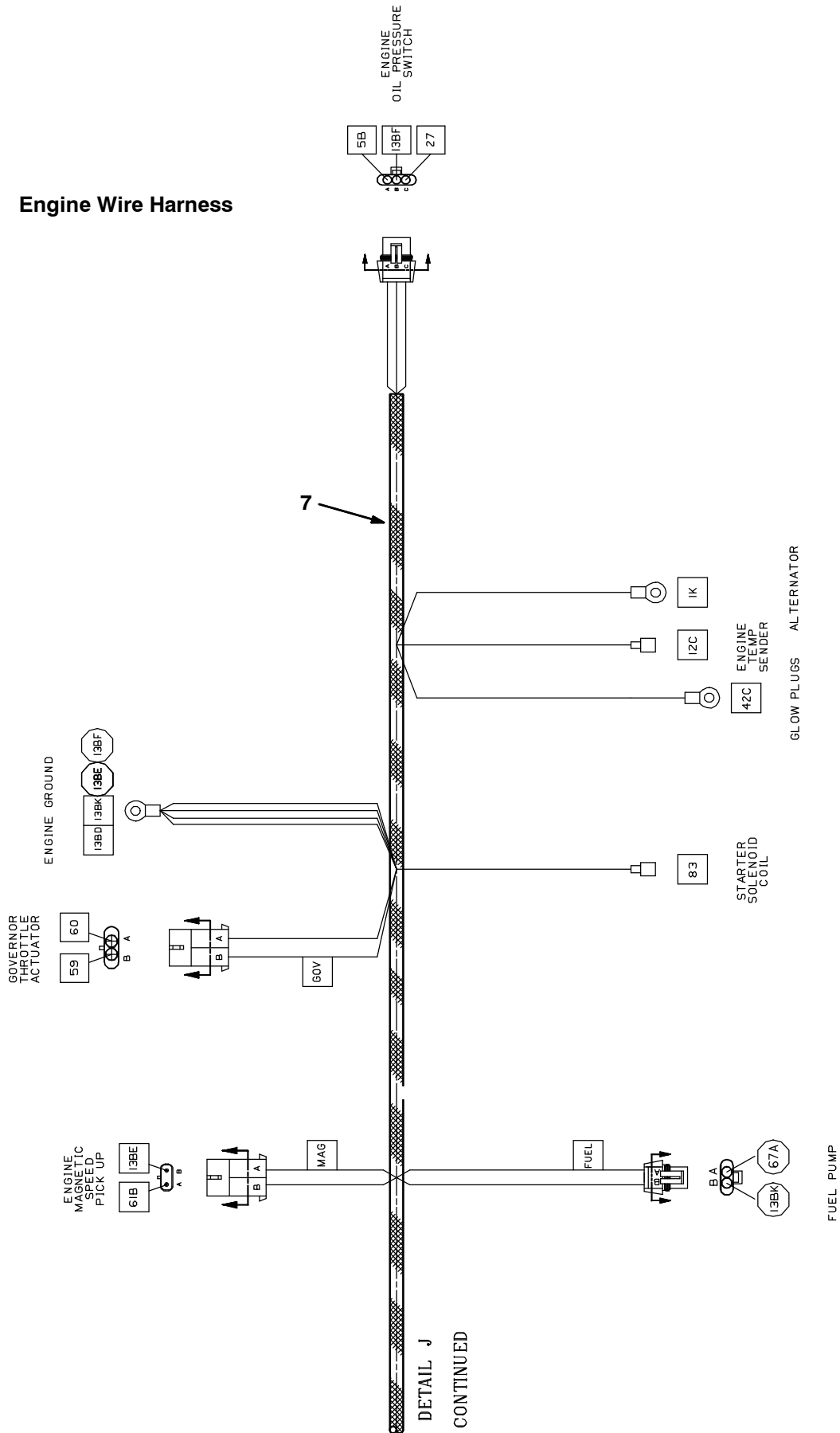




Fig. 61 - Electrical Wire Harnesses Group

Ref.	Part No.	Serial Number	Description	Qty.
1	1018549	(000000-002273 )	Harness, Main [M20]	1
2	1040620	(002274-	) Harness, Main [M20]	1
3	1024141	(000000-	) Harness, Headlight [M20 And T20]	1
4	1019630	(000000-002273 )	Harness, Hppr [M20]	1
5	1033624	(002274-	) Harness, Hppr [M20/M30]	1
6	1019950	(000000-	) Harness, Hppr, Cover [M20]	1
7	391969	(000000-	) Harness, Engine, Dsl [M20 T20]	1

Fig. 62 - Label Group

**1** (Warning: Machine emits toxic gases, Serious injury or death can result. Provide adequate ventilation.)

**2** (Warning: Strong vacuum, Keep away from fan inlet when fan is running.)

**3** (ES logo)

**4** (FaST Foam Scrubbing Technology logo)

**5** (NFSI CERTIFIED logo)

**6** (Diagram of the machine's hopper and support pin assembly)

**Warning Labels:**

- Flammable materials can cause explosion or fire. Do not use flammable tank.
- Moving belt and fan, Keep away.
- Correa y ventilador en movimiento. Manténgase alejado.
- Machine can emit noise. Hearing protection is recommended.
- La máquina puede emitir ruidos. Se recomienda el uso de protección auditiva.
- La máquina puede emitir gases tóxicos. Pueden provocar lesiones graves o fatales. Asegúrese de que existe suficiente ventilación.
- La máquina produce gases tóxicos. Pueden provocar lesiones graves o fatales. Asegúrese de que existe suficiente ventilación.
- La máquina puede emitir gases tóxicos. Pueden provocar lesiones graves o fatales. Asegúrese de que existe suficiente ventilación.
- Point of placement of the arm elevator of the hopper.
- Punto de placement del brazo elevador de la caja colector.
- Burn hazard, Hot surface. Do NOT touch.
- Risque de brûlures. Surface chaude. Ne pas toucher.
- Peligro de quemaduras. Superficie caliente. NO tocar.
- 火傷のおそれあり。表面が熱くなっています。さわらないでください。

**'Not Used' Labels:**

- Flammable materials or reactive metals can cause explosion or fire. Do not pick up.
- Les matériaux inflammables ou les métaux réactifs peuvent causer une explosion ou un incendie. Ne les ramassez pas.
- Los materiales inflamables o metales reactivos pueden causar explosiones o incendios. No los recoja.

**Other Labels:**

- Raised hopper may fall. Engage hopper support pin.
- En position relevée, le bac à déchets peut retomber. Engagez la broche du support de bac à déchets.
- La caja colector elevada puede caer. Coloque el pasador de apoyo de la caja colector.
- Read manual before operating machine.
- Lisez le manuel avant d'utiliser la machine.
- Los manuales de operar la máquina.
- FOR SAFETY
- POUR VOTRE SECURITE
- PARA SEGURIDAD

Fig. 62 - Label Group



M20 - D

Ref.	Part No.	Serial Number	Description	Qty.
1	77221	(000000-	) Label Set, Info/Hzrd, Swpr / Scrbr	1
2	1017141	(000000-	) Label Set, Hi Temp	1
3	1027353	(000000-	) Label, Off-White, Es (Option)	3
4	1027372	(000000-	) Label, Off-White [Fast] (Option)	3
5	1015012	(000000-	) Label [Nfsi Certification]	1
6	1031017	(000000-	) Label Set, Brush Indicator & Removal	1
7	1032450	(000000-	) Label Set, Info/Hzrd, Swpr / Scrbr, Tj (Japan Only)	1



# SECTION 3

<b>Contents</b>	<b>Page</b>
Fig. 1 - ES Pump Group .....	3-2
Fig. 2 - ES Tanks Group .....	3-4
Fig. 3 - Side Brush Motor Group .....	3-6
Fig. 4 - Side Brush Lift Group .....	3-8
Fig. 5 - Side Brush Solution Control Group ...	3-10
Fig. 6 - Side Brush Hydraulic Valve Group ...	3-12
Fig. 7 - Side Brush Hydraulic Hose Group ...	3-14
Fig. 8 - Fast Solution Pump Group (000000-002532) .....	3-16
Fig. 9 - Fast Air Pump and Detergent Group (000000-002532) .....	3-18
Fig. 10 - Fast Foam Filter Group (000000-002532) .....	3-20
Fig. 11 - Fast Foam Filter Group, Side Brush (000000-002532) .....	3-22
Fig. 12 - Fast Wire Harness Group (000000-002532) .....	3-24
Fig. 13 - FaST Pumps and Detergent Group (002533- ) .....	3-26
Fig. 14 - FaST Solution Supply Group (002533- ) .....	3-28
Fig. 15 - FaST Solution Supply Group with Side Brush (002533- ) .....	3-30
Fig. 16 - Fast Wire Harness Group (002533- ) .....	3-32
Fig. 17 - Backup Alarm Kit .....	3-33
Fig. 18 - Light Kit, Flashing .....	3-34
Fig. 19 - Light Kit, Revolving .....	3-36
Fig. 20 - Light Kit, Flashing Overhead Guard ..	3-38
Fig. 21 - Light Kit, Revolving Overhead Guard .	3-39
Fig. 22 - Overhead Guard Kit .....	3-40
Fig. 23 - Vacuum Wand Kit (000000-002406) ..	3-42
Fig. 24 - Vacuum Wand Kit (002407- ) ...	3-44
Fig. 25 - Spray Nozzle Kit .....	3-46
Fig. 26 - Transport Group .....	3-48
Fig. 27 - Squeegee Guard Kit .....	3-50
Fig. 28 - Fire Extinguisher Kit .....	3-52
Fig. 29 - Documentation Group .....	3-53

Fig. 1 - ES Pump Group

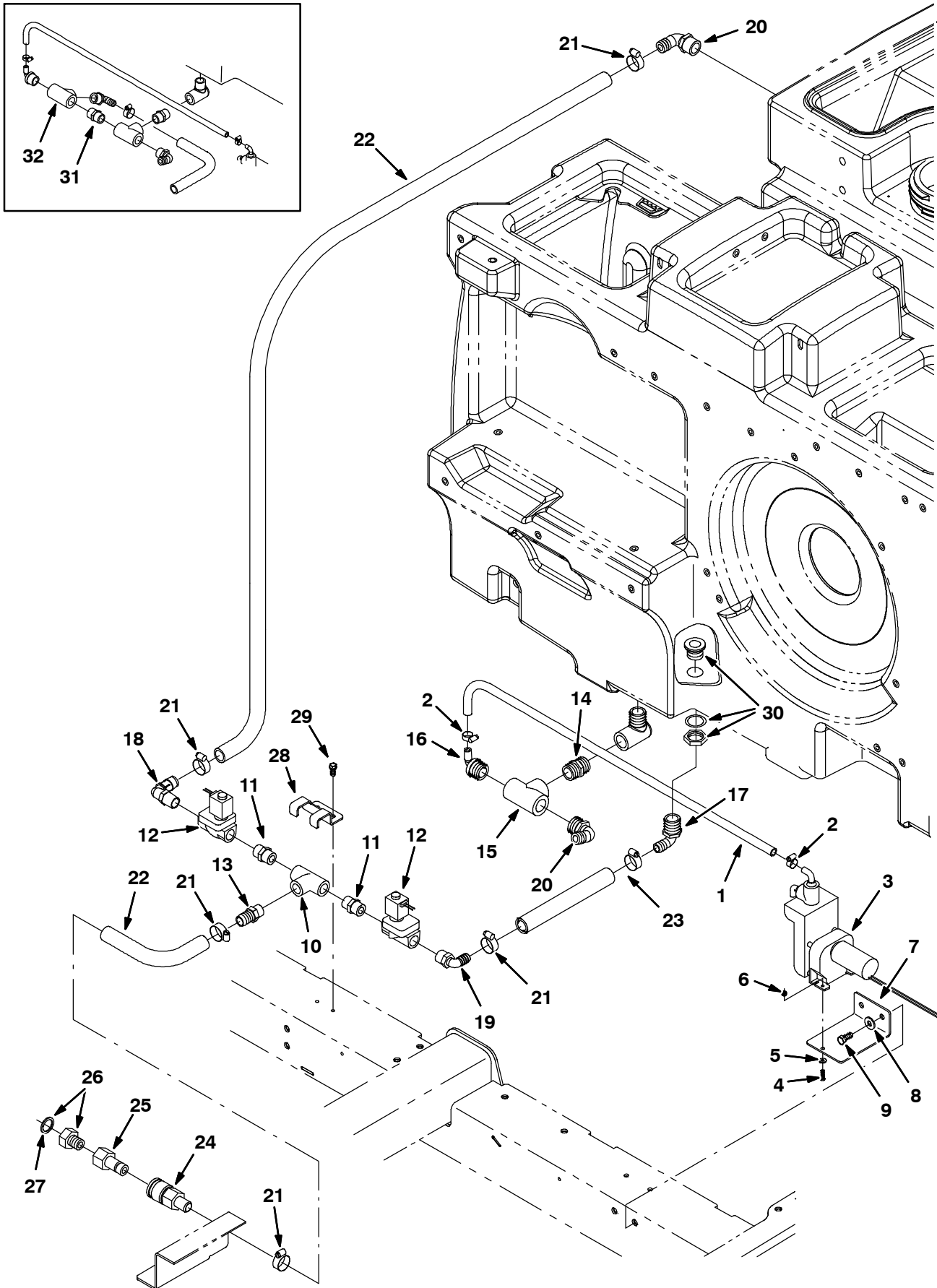


Fig. 1 - ES Pump Group

Ref.	Part No.	Serial Number	Description	Qty.	
1	41295	(000000-	) Hose, Pvc, Clr, 0.38id 0.56od 48.00l	1	
2	43844	(000000-	) Clamp, Hose, Wormdrive, 0.25-0.62d, .31w	2	
3	73260	(000000-	) Pump, Detgt, 14vdc, 150ml/Min 20psi (See Breakdown)	1	
4	24265	(000000-	) Screw, Pan, M4 X 0.7 X 16, Ss	2	
5	01683	(000000-	) Washer, Flat, #10, Ss	2	
6	33932	(000000-	) Nut, Hex, Lock, M4 X 0.7, NI, Ss	2	
7	1021325	(000000-	) Bracket, Mtg, Valve	1	
8	01685	(000000-	) Washer, Flat, 0.31, Ss	2	
9	09740	(000000-	) Screw, Hex, M8 X 1.25 X 20, Ss	2	
10	79497	(000000-	) Fitting, Plstc, Tee, Pf08/Pf08/Pf08	1	
11	86508	(000000-	) Fitting, Plstc, Str, Pm08/Pm08	2	
12	73433	(000000-	) Valve, Water, Solenoid, 12vdc 0.08pf	2	
13	78398	(000000-	) Fitting, Plstc, Str, Bm12/Pm08, Nyl	1	
14	24544	(000000-	) Fitting, Plstc, Str, Pm12/Pm12 1.60l	1	
15	42133A	(000000-	) Fitting, Plstc, Tee, Pf12/Pf12/Pf12	1	
16	79484	(000000-	) Fitting, Plstc, E90, Bm06/Pm12, Nyl	1	
17	73468	(000000-	) Fitting, Plstc, E90, Bm10/Pm12	1	
18	63244-2	(000000-	) Fitting, Plstc, E90, Bm12/Pm08	1	
19	630371	(000000-	) Fitting, Plstc, E90, Bm10/Pm08	1	
20	14877	(000000-	) Fitting, Plstc, E90, Bm12/Pm12	2	
21	63810	(000000-	) Clamp, Hose, Wormdrive, 0.56-1.06d, .56w	6	
22	1015045	(000000-	) Hose, Afmkt, Pvc, Brd 0.75id 08ft	1	
23	369811	(000000-	) Hose, Pvc, Brd, 0.62id 0.88od 09.00l	1	
24	24105	(000000-	) Fitting, Brs, Qdc, Bm12/Qf08	1	
25	33295	(000000-	) Fitting, Brs, Qdc, Pf08 [Parker Bh3f]	1	
▽	26	375322	(000000-	) Fitting Kit, Hose, Garden	1
▲	27	01316	(000000-	) Washer, Flat, 0.66b 1.00d .12, Rbr	1
	28	1016837	(000000-	) Bracket, Mtg, Valve	1
	29	361339	(000000-	) Screw, Hex, M6 X 1.0 X 16, Fmg	2
	30	377349	( xxxxxx-	) Fitting, Plstc, Pf12/Pf12, Bh	1
	31	24544	(000000-xxxxxx )	Fitting, Plstc, Str, Pm12/Pm12 1.60l	1
	32	42133A	(000000-xxxxxx )	Fitting, Plstc, Tee, Pf12/Pf12/Pf12	1

Fig. 2 - ES Tanks Group

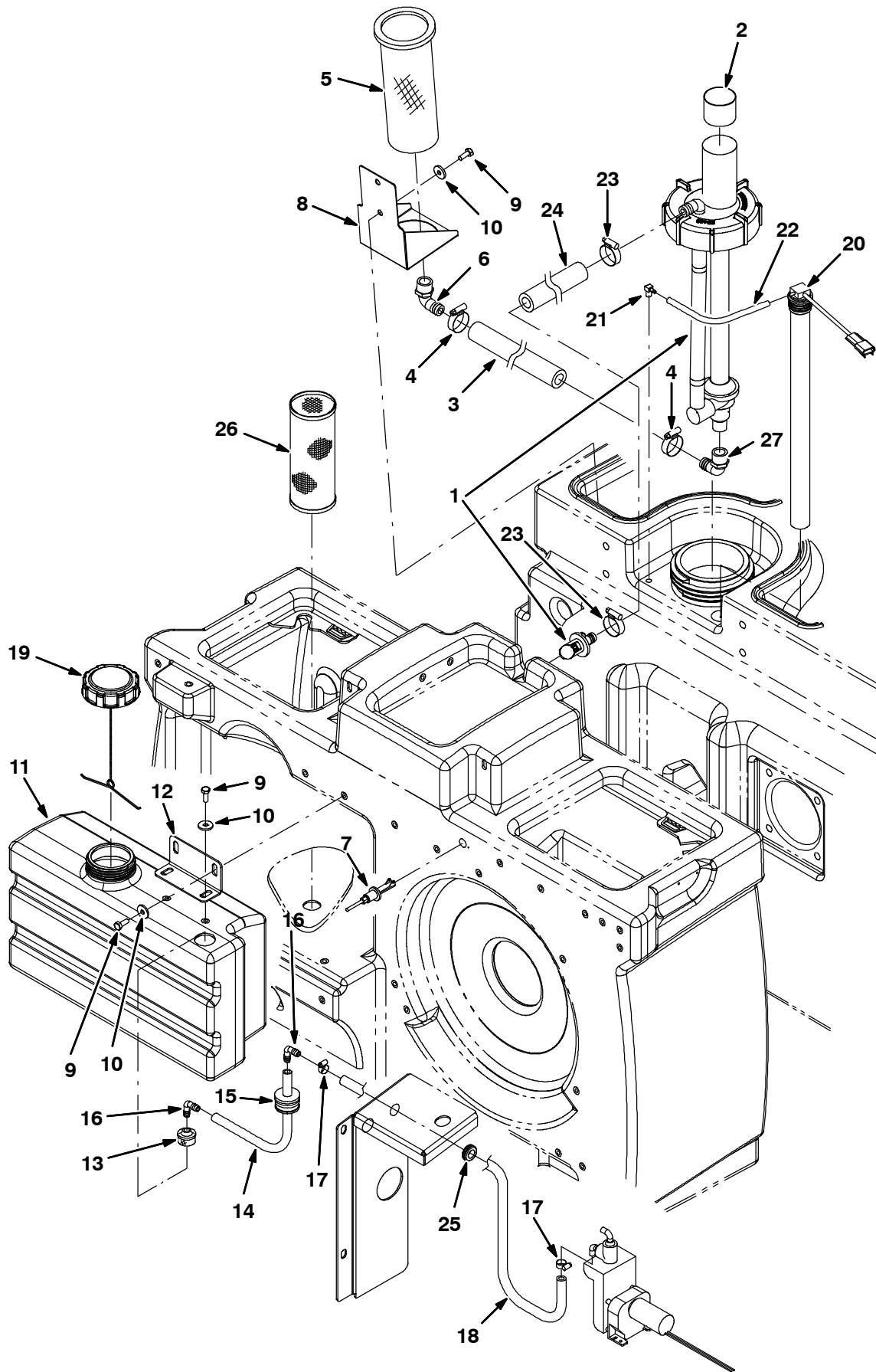




Fig. 2 - ES Tanks Group

Ref.	Part No.	Serial Number	Description	Qty.
1	1021210	(000000-	) Pump Assy, Column, Es (See Breakdown)	1
2	1028697	(000000-	) Sleeve, Rbr, 3.50b 3.58d 1.8l	1
3	1015033	(000000-	) Hose, Afmkt, Pvc, Brd 0.62id 01ft	1
4	63810	(000000-	) Clamp, Hose, Wormdrive, 0.56-1.06d, .56w	2
5	386652	(000000-	) Strainer, Soltn, 20 Mesh, Cyl 3.5d 9.5l	1
6	24543	(000000-	) Fitting, Plstc, E90, Bm12/Pf12	1
7	385685	(000000-	) Sensor, Level, Liq, 14vdc 01a .62-11	1
8	1019636	(000000-	) Bracket, Mtg, Strainer	1
9	09740	(000000-	) Screw, Hex, M8 X 1.25 X 20, Ss	6
10	1017218	(000000-	) Washer, Flat, 0.32b 1.00d .12, Ss	6
11	1022229	(000000-	) Tank, Detgt, Trimmed	1
12	1025159	(000000-	) Bracket, Mtg, Detgt And Spray Wand	1
13	20952	(000000-	) Screen, Pump	1
14	1014974	(000000-	) Hose, Afmkt, Pvc, Brd 0.38id 02ft	1
15	20944	(000000-	) Grommet, Pye, 0.37id, F/1.5h, .13 Matl	1
16	20951	(000000-	) Fitting, Plstc, E90, Bm06/Bm06	2
17	43844	(000000-	) Clamp, Hose, Wormdrive, 0.25-0.62d, .31w	2
18	41295	(000000-	) Hose, Pvc, Clr, 0.38id 0.56od 48.00l	1
19	1011885	(000000-	) Cap, Tank	1
20	1029497	(000000-	) Switch Assy, Press, 3.0, 19.5l Tube	1
21	32183	(000000-	) Fitting, Brs, E90, Pm02/Bm03	1
22	1031572	(000000-	) Hose, Afmkt, Vacuum, 0.16id 01ft	1
23	63810	(000000-	) Clamp, Hose, Wormdrive, 0.56-1.06d, .56w	2
24	1015047	(000000-	) Hose, Afmkt, Pvc, Brd 0.75id 02ft	1
25	10632-2	(000000-	) Grommet, Rbr, 0.62id, F/0.9h, .12 Matl	1
26	1039019	(000000-	) Filter, Soltn, 020mesh, Pm12 3.2d 08.0l	1
27	14877	(000000-	) Fitting, Plstc, E90, Bm12/Pm12	1

Fig. 3 - Side Brush Motor Group

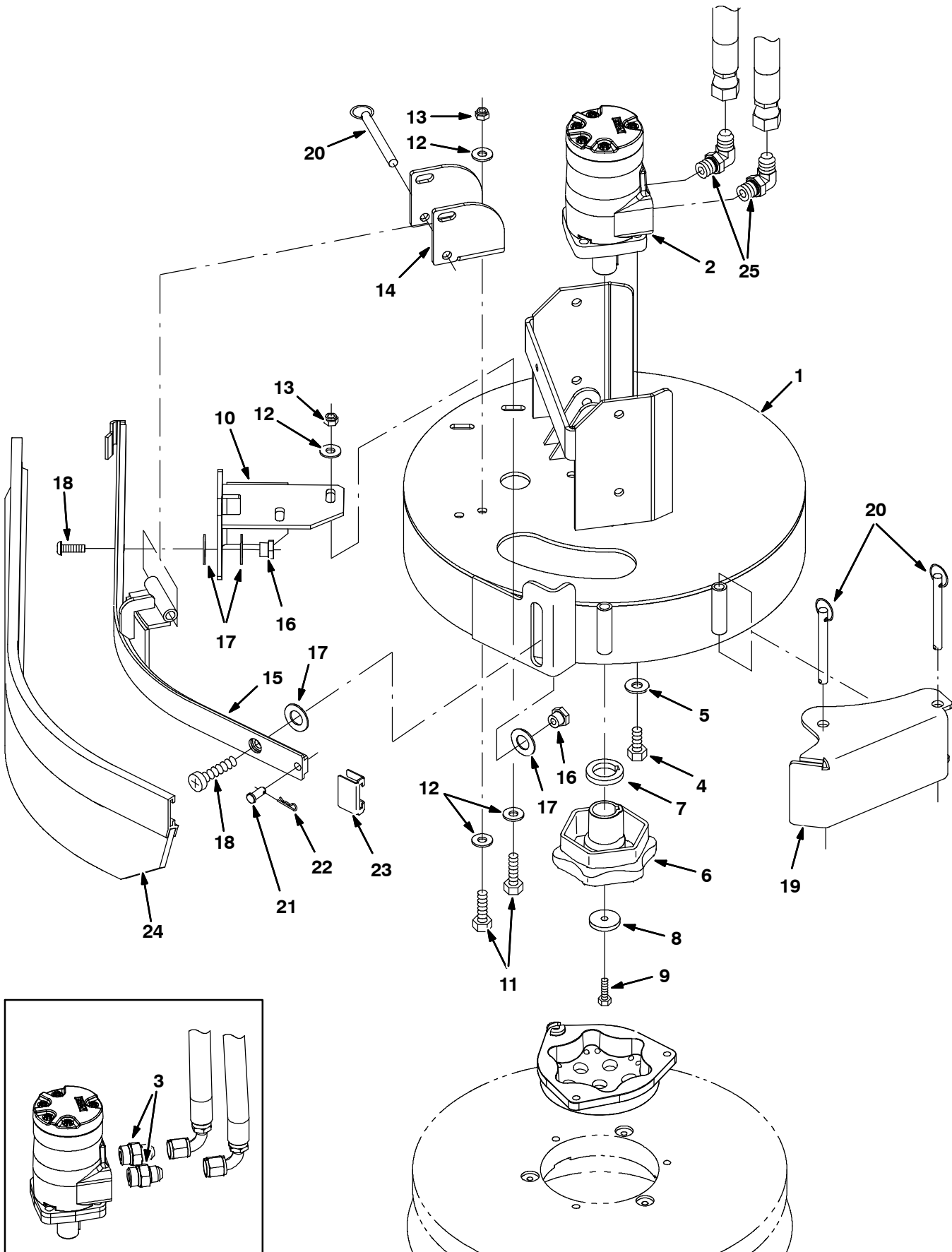


Fig. 3 - Side Brush Motor Group

Ref.	Part No.	Serial Number	Description	Qty.
1	1021794	(000000-	) Bracket Wldt, Mtg, Side Brush	1
2	1029379	(000000-	) Motor, Hyd, Gear, Int 08.9 Bi-Dir 2500 (See Breakdown)	1
3	56692	(000000-001337	) Fitting, Hyd, Str, Jm08/Om10	2
4	01762	(000000-	) Screw, Hex, .38-16 X 0.75, NI	4
5	32492	(000000-	) Washer, Flat, 0.38 Std	4
6	1042968	(000000-	) Hub, Drive, Brush, Disk, 1.00b [6t]	1
7	25611	(000000-	) Spacer, Hub, Keyed	1
8	19191	(000000-	) Spacer	1
9	25046	(000000-	) Screw, Hex, .25-20 X 1.00, 5	1
10	1022135	(000000-	) Bracket, Mtg, Sqge	1
11	09010	(000000-	) Screw, Hex, M8 X 1.25 X 25, Ss	4
12	01685	(000000-	) Washer, Flat, 0.31, Ss	8
13	08713	(000000-	) Nut, Hex, Lock, M8 X 1.25, NI, Ss	4
14	1022188	(000000-	) Bar, Retainer	1
15	1022111	(000000-	) Frame Wldt, Sqge, Side Brush	1
16	1022302	(000000-	) Nut, T, M8 X 1.25 X 14.5od X 9.5l	2
17	64425	(000000-	) Washer, Thrust, 0.61b 1.25d .06, Fgl	4
18	223470	(000000-	) Screw, Btn, M8 X 1.25 X 25, Ss	2
19	1022260	(000000-	) Bumper Wldt, Brush, Side	1
20	369359	(000000-	) Pin, Hitch, .375d X 3.12l, PI	3
21	46800	(000000-	) Pin, Clevis, 0.31d X 0.75l	1
22	08179	(000000-	) Pin, Cotter, .094 X 1.00	1
23	86759	(000000-	) Retainer, Sqge	1
24	1025005	(000000-	) Squeegee Assy, Sba, Linatex	1
24	1027716	(000000-	) Squeegee Assy, Sba, Ure	1
25	56821	(001338-	) Fitting, Hyd, E90, Jm08/Om10	1

Fig. 4 - Side Brush Lift Group

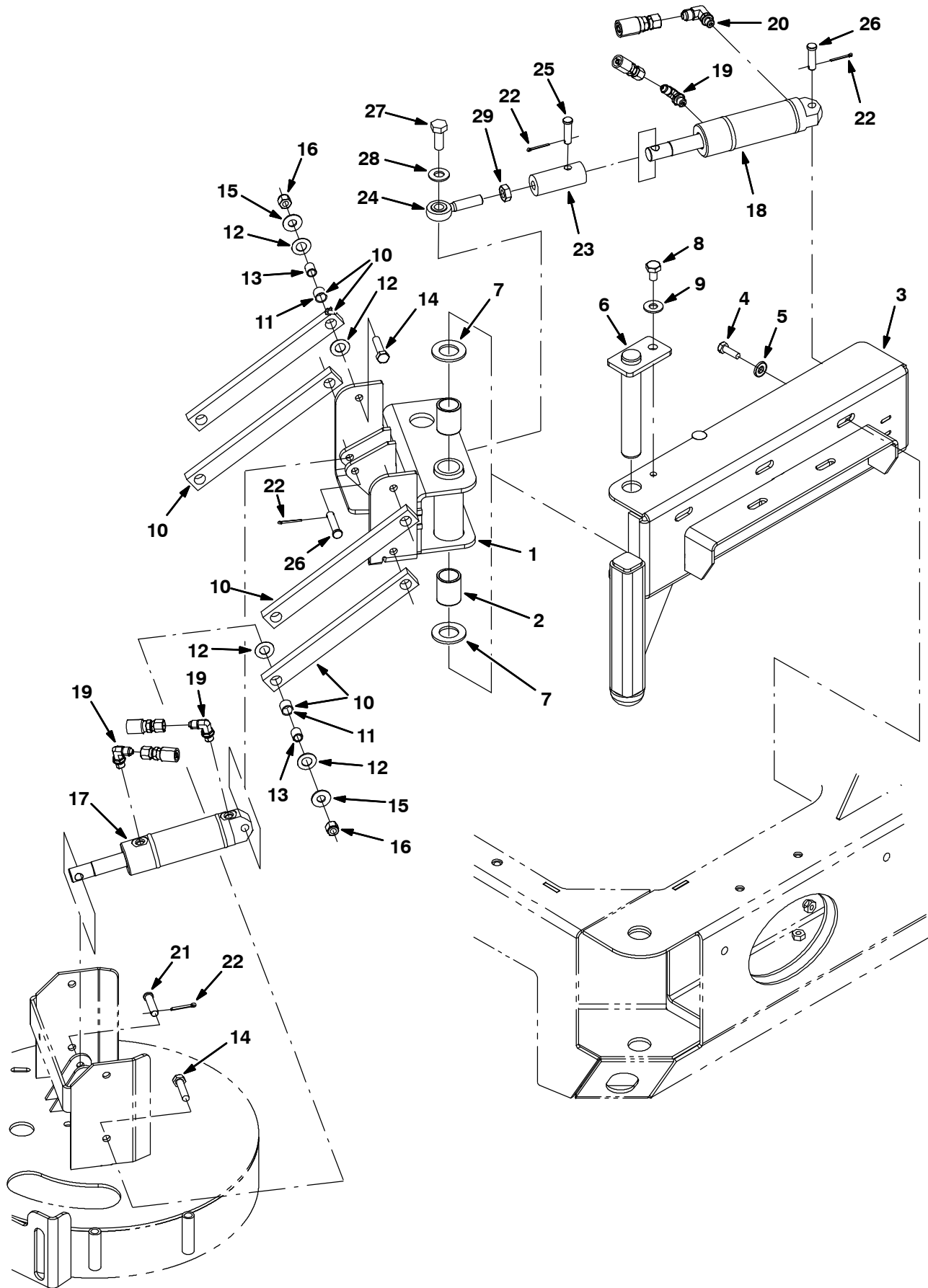
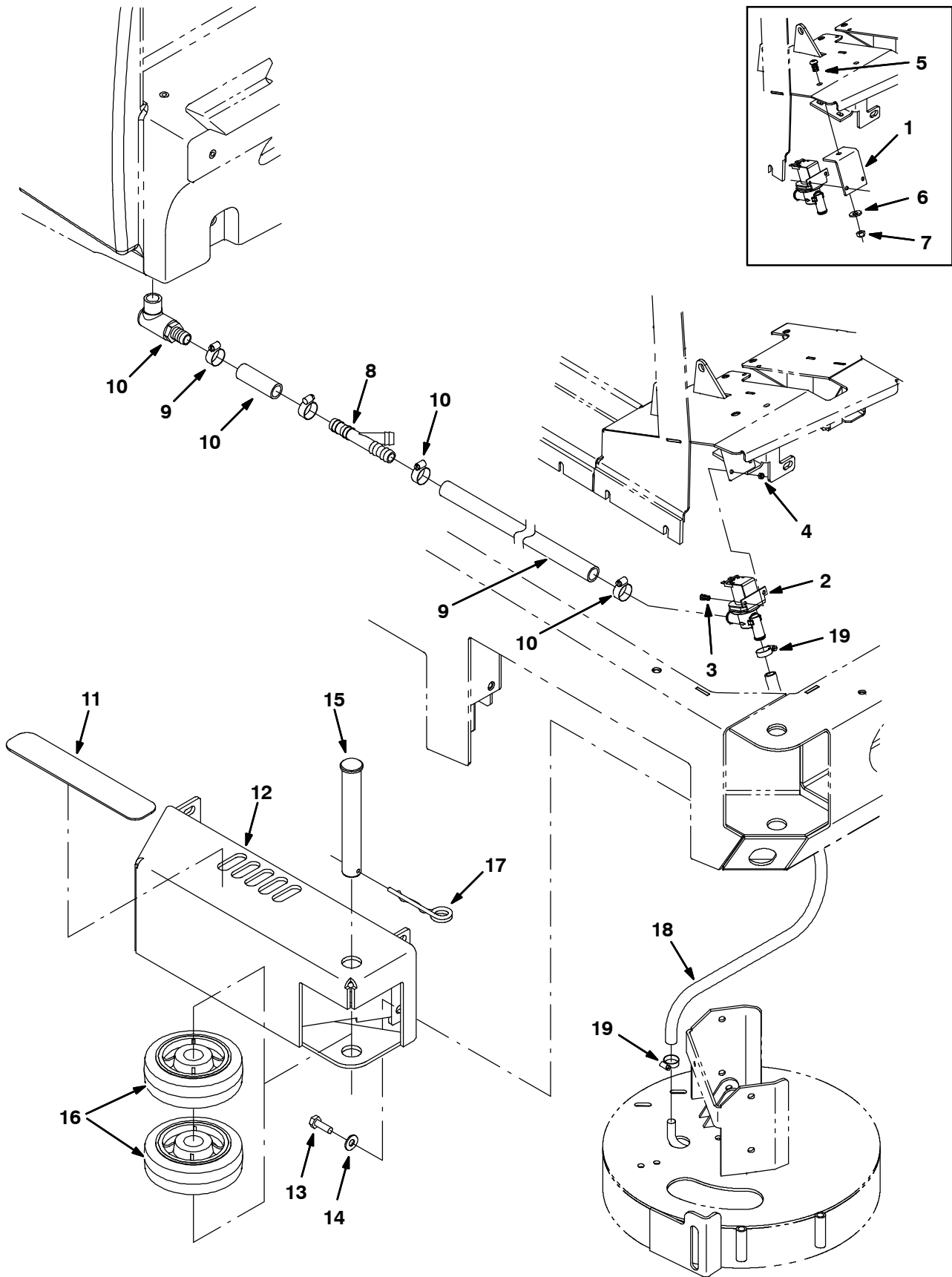


Fig. 4 - Side Brush Lift Group

Ref.	Part No.	Serial Number	Description	Qty.
1	1021439	(000000-	) Pivot Wldt, Brush, Side	1
2	71868	(000000-	) Bushing, Sleeve, 1.00b 1.13d 1.50l, Fgl	2
3	1021473	(000000-	) Channel Wldt, Pivot	1
4	09010	(000000-	) Screw, Hex, M8 X 1.25 X 25, Ss	5
5	41186	(000000-	) Washer, Flat, Belleville, .31	5
6	1021617	(000000-	) Pin Wldt	1
7	71869	(000000-	) Washer, Thrust, 1.00b 1.75d 0.13w, Fbr	2
8	16735	(000000-	) Screw, Hex, M8 X 1.25 X 16, 8.8	1
9	32491	(000000-	) Washer, Flat, 0.31, Std	1
▽	10	63175-1	(000000-) Arm, Link	4
▲	11	63233	(000000-) Bushing, Sleeve, 0.50b 0.59d 0.50l, Bnz	2
	12	59633	(000000-) Bearing, Thrust, 0.53b 1.00d 0.03w	16
	13	1027926	(000000-) Sleeve, P/M, 0.37b 0.50d 0.6l [430ss]	8
	14	36845	(000000-) Screw, Hex, .38-16 X 1.50, Ss	8
	15	01685	(000000-) Washer, Flat, 0.31, Ss	8
	16	59156	(000000-) Nut, Hex, Lock, .38-16, Ni, Ss	8
	17	1038137	(000000-) Cylinder, Hyd, 1.5b 07.8l 02.80strk 2500	1
	18	1038115	(000000-) Cylinder, Hyd, 1.5b 07.8l 02.75strk 2500	1
	19	77097	(000000-) Fitting, Hyd, E90, Jm04/Om04	3
	20	77098	(000000-) Fitting, Hyd, E90, Jm06/Om04	1
	21	29558	(000000-) Pin, Clevis, 0.37d X 1.50l	1
	22	08179	(000000-) Pin, Cotter, .094 X 1.00	4
	23	1021564	(000000-) Adapter, Rod-End, Side Brush	1
	24	71874	(000000-) Rod-End, .50-20rh Mal 0.50b	1
	25	29557	(000000-) Pin, Clevis, 0.37d X 1.31l	1
	26	17461	(000000-) Pin, Clevis, 0.37d X 1.75l	2
	27	41346	(000000-) Screw, Hex, M12 X 1.75 X 30, 8.8	1
	28	32486	(000000-) Washer, Flat, 0.50 Sae	1
	29	48985	(000000-) Nut, Hex, Jam, .50-20	1

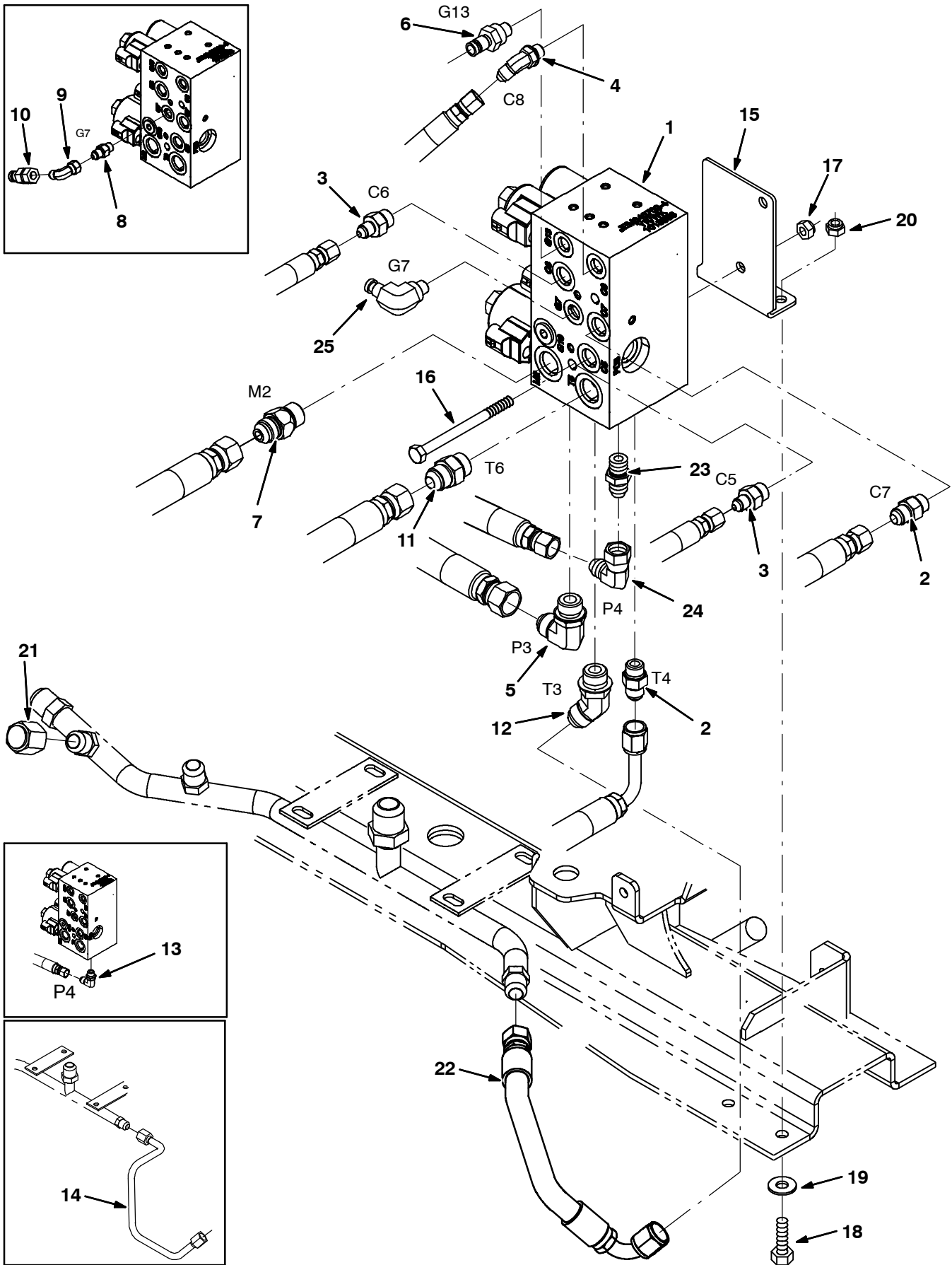
Fig. 5 - Side Brush Solution Control Group



**Fig. 5 - Side Brush Solution Control Group**

<b>Ref.</b>	<b>Part No.</b>	<b>Serial Number</b>	<b>Description</b>	<b>Qty.</b>
1	1040834	(000000-002241 )	Angle, Mtg, Valve	1
2	1022106	(000000-	Valve Assy, Water, Solenoid, 12vdc	1
3	09738	(000000-	Screw, Hex, M5 X 0.8 X 12, Ss	2
4	09739	(000000-	Nut, Hex, Lock, M5 X 0.8, NI, Ss	2
5	17284	(000000-002241 )	Screw, Btn, M8 X 1.25 X 16, Ss	1
6	32491	(000000-002241 )	Washer, Flat, 0.31, Std	1
7	08713	(000000-002241 )	Nut, Hex, Lock, M8 X 1.25, NI, Ss	1
8	393255	(000000-	Fitting, Plstc, Tee, Bm12/Bm12/Bm12	1
9	1015045	(000000-	Hose, Afmkt, Pvc, Brd 0.75id 08ft	1
10	63810	(000000-	Clamp, Hose, Wormdrive, 0.56-1.06d, .56w	4
11	82839	(000000-	Tread, Non-Skid, 02.2w 11.5l	1
12	1022318	(000000-	Guard Wldt, Brush, Side	1
13	12317	(000000-	Screw, Hex, M10 X 1.5 X 30, Ss	4
14	01686	(000000-	Washer, Flat, 0.44b 1.00d .08, Ss	4
15	1017672	(000000-	Pin, Clevis, 30mmd X 200mml	1
16	1021047	(000000-	Wheel, 06.0d 2.00w 1.19b, Gray Rbr	2
17	761490	(000000-	Pin, Cotter, Hair, Dbl	1
18	50178	(000000-	Hose, Pvc, Clr, 0.50id 0.69od 26.00l	1
19	54333	(000000-	Clamp, Hose, Wormdrive, 0.31-0.88d, .31w	2

Fig. 6 - Side Brush Hydraulic Valve Group

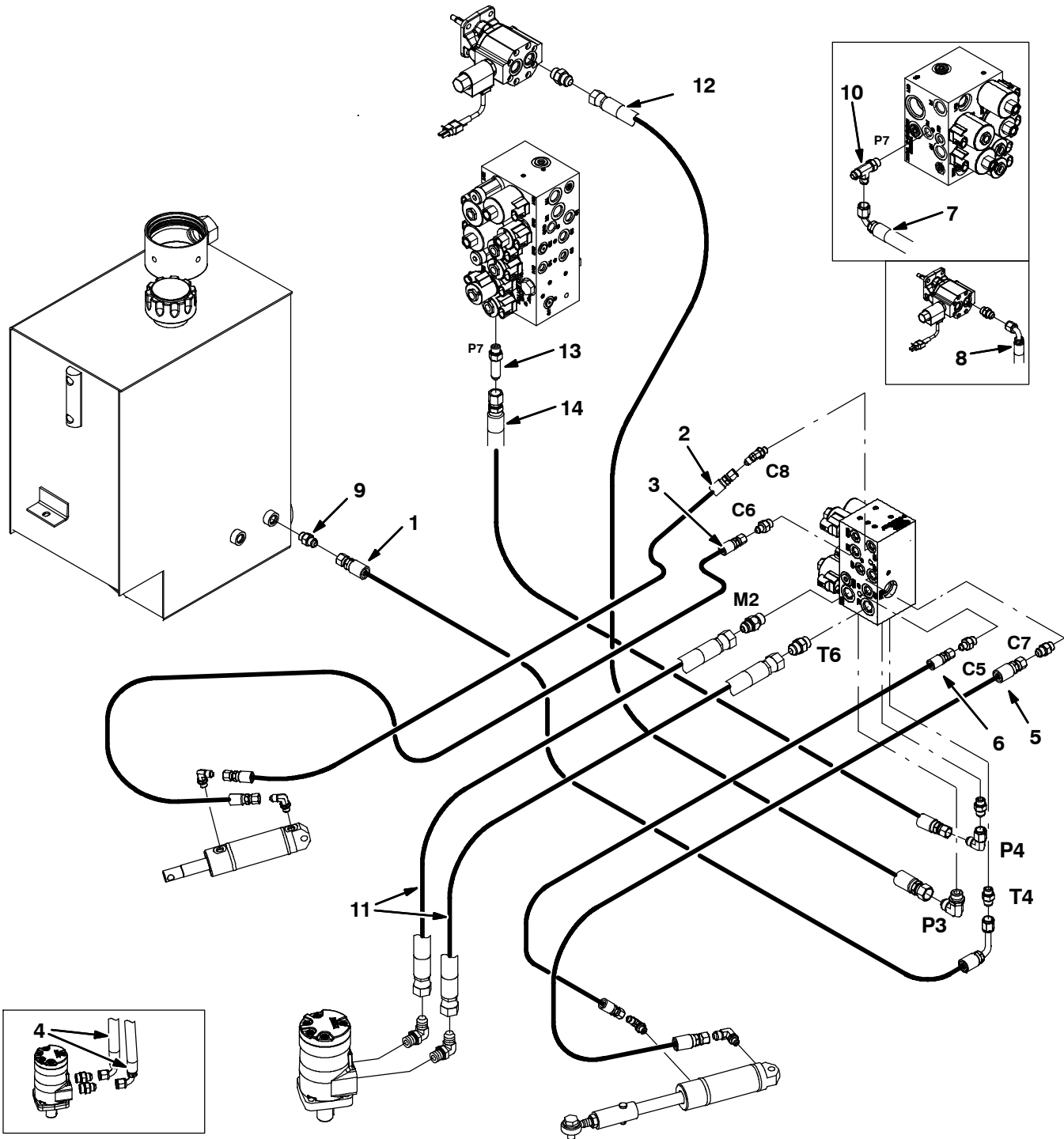




**Fig. 6 - Side Brush Hydraulic Valve Group**

Ref.	Part No.	Serial Number	Description	Qty.
1	1018938	(000000-002015 )	Valve, Cntrl, Hyd [M20 And T20] (See Breakdown)	1
1	1037805	(002016- )	Valve, Hyd, Solenoid 12vdc 3000psi (See Breakdown)	1
2	56690	(000000- )	Fitting, Hyd, Str, Jm06/Om06	2
3	55685	(000000- )	Fitting, Hyd, Str, Jm04/Om06	2
4	34359	(000000- )	Fitting, Hyd, E45, Jm04/Om04	1
5	44868	(000000- )	Fitting, Hyd, E90, Jm08/Om08	1
6	395973	(000000- )	Fitting, Hyd, Str, Om04/Qm04	1
7	1026119	(000000- )	Valve, Hyd, Check, Jm08/Om08 5000psi	1
8	55586	(000000-002951 )	Fitting, Hyd, Str, Jm04/Om04	1
9	39210	(000000-002951 )	Fitting, Hyd, E90, Jf04/Jm04	1
10	396476	(000000-002951 )	Fitting, Hyd, Str, Jf04/Qm04	1
11	44869	(000000- )	Fitting, Hyd, Str, Jm08/Om08	1
12	42226	(000000- )	Fitting, Hyd, E45, Jm08/Om08	1
13	56820	(000000-002015 )	Fitting, Hyd, E90, Jm06/Om06	1
14	1025405	(000000-001357 )	Tube, Hyd, 08 Jf08/Jf08	1
15	1045272	(000000- )	Bracket, Valve, Sba [M20 And T20]	1
16	06959	(000000- )	Screw, Hex, M8 X 1.25 X 100, 8.8	2
17	08709	(000000- )	Nut, Hex, Lock, M8 X 1.25, NI	2
18	09010	(000000- )	Screw, Hex, M8 X 1.25 X 25, Ss	2
19	32491	(000000- )	Washer, Flat, 0.31, Std	2
20	08713	(000000- )	Nut, Hex, Lock, M8 X 1.25, NI, Ss	2
21	60090	(000000- )	Fitting, Hyd, Cap, Jf08	1
22	1037011	(001358- )	Hose, Hyd, Tc08, Jf08str/Jf08e90, 012.0	1
23	56690	(002016- )	Fitting, Hyd, Str, Jm06/Om06	1
24	47504	(002016- )	Fitting, Hyd, E90, Jf06/Jm06	1
25	395974	(002952- )	Fitting, Hyd, E90, Om04/Qm04	1

Fig. 7 - Side Brush Hydraulic Hose Group



**Fig. 7 - Side Brush Hydraulic Hose Group**

<b>Ref.</b>	<b>Part No.</b>	<b>Serial Number</b>	<b>Description</b>	<b>Qty.</b>
1	361047	(000000-	) Hose, Hyd, Med06, Jf06e90l/Jf06str,038.0	1
2	1023485	(000000-	) Hose, Hyd, Tc06, Jf06str/Jf06str, 033.0	1
3	1025990	(000000-	) Hose, Hyd, Tc04, Jf04str /Jf04str, 39.0	1
4	1023486	(000000-001337	) Hose, Hyd, Tc08, Jf08e90/Jf08str, 034.0	2
5	1025991	(000000-	) Hose, Hyd, Tc06, Jf06str /Jf06str, 23.0	1
6	1025992	(000000-	) Hose, Hyd, Tc04, Jf04str /Jf04str, 20.0	1
7	1025445	(000000-026999	) Hose, Hyd, Tc06, Jf06str /Jf06e90, 74.0	1
8	365004	(000000-001337	) Hose, Hyd, Tc08, Jf08e90/Jf08str, 056.0	1
9	56690	(000000-	) Fitting, Hyd, Str, Jm06/Om06	1
10	76316	(000000-026999	) Fitting, Hyd, Tee, Jm06/Jm06/Om06, Run	1
11	1036965	(001338-	) Hose, Hyd, Tc08, Jf08str/Jf08str, 034.0	1
12	1036944	(001338-	) Hose, Hyd, Tc08, Jf08str/Jf08str, 056.0	1
13	59577	(027000-	) Fitting, Hyd, Str, Jm06/Om06, Long	1
14	377236	(027000-	) Hose, Hyd, Tc06, Jf06Str/Jf06Str, 062.0	1

**Fig. 8 - Fast Solution Pump Group (000000-002532)**

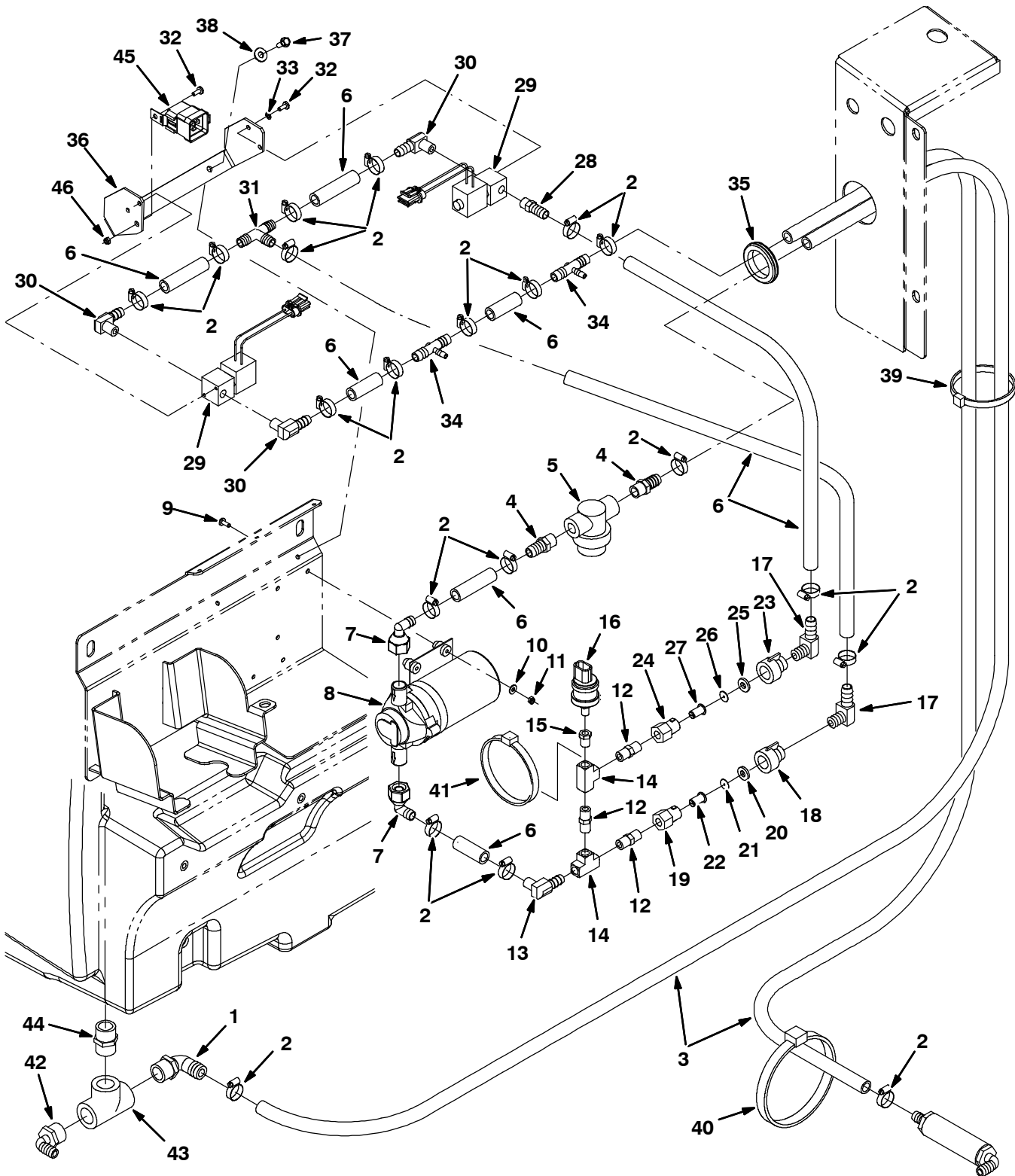


Fig. 8 - Fast Solution Pump Group (000000-002532)

Ref.	Part No.	Serial Number	Description	Qty.	
1	1005552	(000000-002532 )	Fitting, Plstc, E90, Bm08/Pm12, Nyl	1	
2	54333	(000000-002532 )	Clamp, Hose, Wormdrive, 0.31-0.88d, .31w	1	
3	1011412	(000000-002532 )	Hose, Afmkt, Pvc, Brd 0.50id 08ft	1	
4	64743	(000000-002532 )	Fitting, Plstc, Str, Bm08/Pm06	2	
5	1005302	(000000-002532 )	Filter, In-Line, Pf06/Pf06, 80 Mesh	1	
6	1006401	(000000-002532 )	Hose, Afmkt, Pvc, Brd 0.50id 03ft	1	
7	1018499	(000000-002532 )	Fitting, Plstc, E90, Bm08/Pf08s, Swivel	2	
8	1030878	(000000-002532 )	Pump, Soltn, Ele, 12vdc [W/O Chk Valve]	1	
9	17185	(000000-002532 )	Screw, Pan, M5 X 0.8 X 40, Ss	4	
10	01683	(000000-002532 )	Washer, Flat, #10, Ss	4	
11	09739	(000000-002532 )	Nut, Hex, Lock, M5 X 0.8, NI, Ss	4	
12	398468	(000000-002532 )	Fitting, Brs, Str, Pm04/Pm04	3	
13	1010836	(000000-002532 )	Fitting, Brs, E90, Bm08/Pm04	1	
14	398474	(000000-002532 )	Fitting, Brs, Tee, Pf04/Pf04/Pf04	2	
15	150100	(000000-002532 )	Fitting, Brs, Str, Pf02/Pm04	1	
16	1028582	(000000-002532 )	Switch, Press, 10psi, Spst	1	
17	1010836	(000000-002532 )	Fitting, Brs, E90, Bm08/Pm04	2	
▽	1030864	(000000-002532 )	Fitting Assy, Orifice, 0.070b, Pf04/Pf04	1	
▲	18	1005506	(000000-002532 )	Fitting, Plstc, Cap, Spray, Pf04	1
▲	19	1005507	(000000-002532 )	Fitting, Plstc, Body, Spray, Pf04	1
▲	20	1005508	(000000-002532 )	Washer, Flat, 0.34b 0.75d .12 [Viton]	1
▲	21	1018883	(000000-002532 )	Plate, Orifice, 0.070id	1
▲	22	1006447	(000000-002532 )	Vr, Filter, Screen, 50 Mesh .59d .8l Ss	1
▽	1030863	(000000-002532 )	Fitting Assy, Orifice, 0.093b, Pf04/Pf04	1	
▲	23	1005506	(000000-002532 )	Fitting, Plstc, Cap, Spray, Pf04	1
▲	24	1005507	(000000-002532 )	Fitting, Plstc, Body, Spray, Pf04	1
▲	25	1005508	(000000-002532 )	Washer, Flat, 0.34b 0.75d .12 [Viton]	1
▲	26	1018884	(000000-002532 )	Plate, Orifice, 0.093id	1
▲	27	1006447	(000000-002532 )	Vr, Filter, Screen, 50 Mesh .59d .8l Ss	1
28	762249	(000000-002532 )	Fitting, Brs, Str, Bm08/Pm04	1	
29	1018098	(000000-002532 )	Valve, Water, 12vdc, 6.0mm, 04pf	2	
30	1010836	(000000-002532 )	Fitting, Brs, E90, Bm08/Pm04	3	
31	63245-1	(000000-002532 )	Fitting, Plstc, Tee, Bm08/Bm08/Bm08	1	
32	09200	(000000-002532 )	Screw, Pan, M5 X 0.8 X 12, Ss	5	
33	07514	(000000-002532 )	Washer, Lock, Int, #10, Ss	4	
34	1010684	(000000-002532 )	Fitting, Plstc, Tee, Bm04/Bm08/Bm08, Br	2	
35	10632-19	(000000-002532 )	Grommet, Rbr, 2.13id, F/2.5h, .12 Matl	1	
36	1026074	(000000-002532 )	Plate, Hsng [Fast]	1	
37	361339	(000000-002532 )	Screw, Hex, M6 X 1.0 X 16, Fmg	4	
38	32490	(000000-002532 )	Washer, Flat, 0.25 Std	4	
39	49266	(000000-002532 )	Tie, Cable, Nyl, 07.3l .19w 1.8 Max D	1	
40	763116	(000000-002532 )	Tie, Cable, Nyl, 15.3l . W 4.5 Max D	1	
41	763114	(000000-002532 )	Tie, Cable, 11.3l, 2.75d Max	1	
42	14877	(000000-002532 )	Fitting, Plstc, E90, Bm12/Pm12	1	
43	42133A	(000000-002532 )	Fitting, Plstc, Tee, Pf12/Pf12/Pf12	1	
44	24544	(000000-002532 )	Fitting, Plstc, Str, Pm12/Pm12 1.60l	1	
45	56186	(000000-002532 )	Relay, 12vdc, 40a, Spdt N/O	1	
46	09739	(000000-002532 )	Nut, Hex, Lock, M5 X 0.8, NI, Ss	1	

Fig. 9 - Fast Air Pump and Detergent Group (000000-002532)

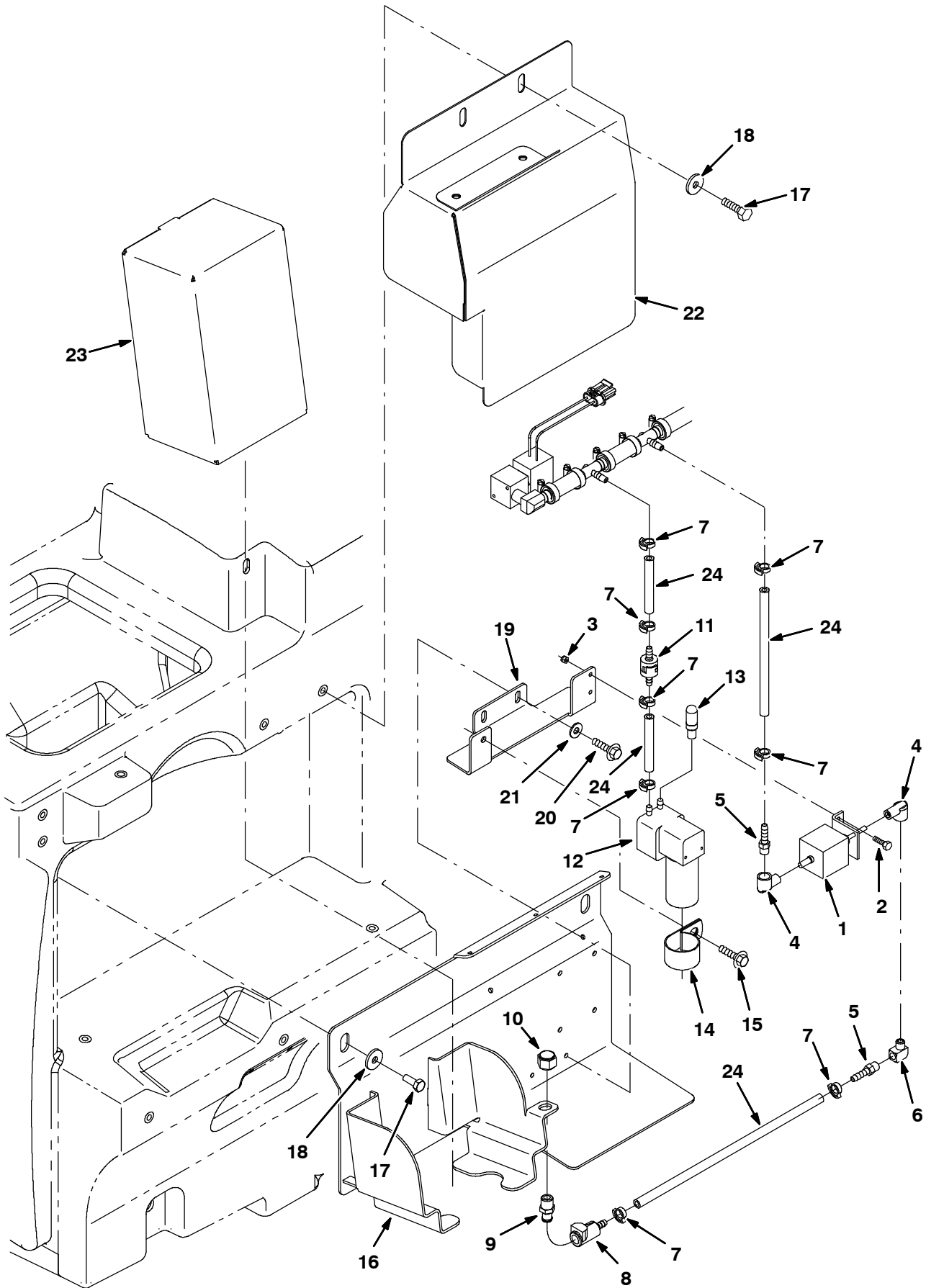
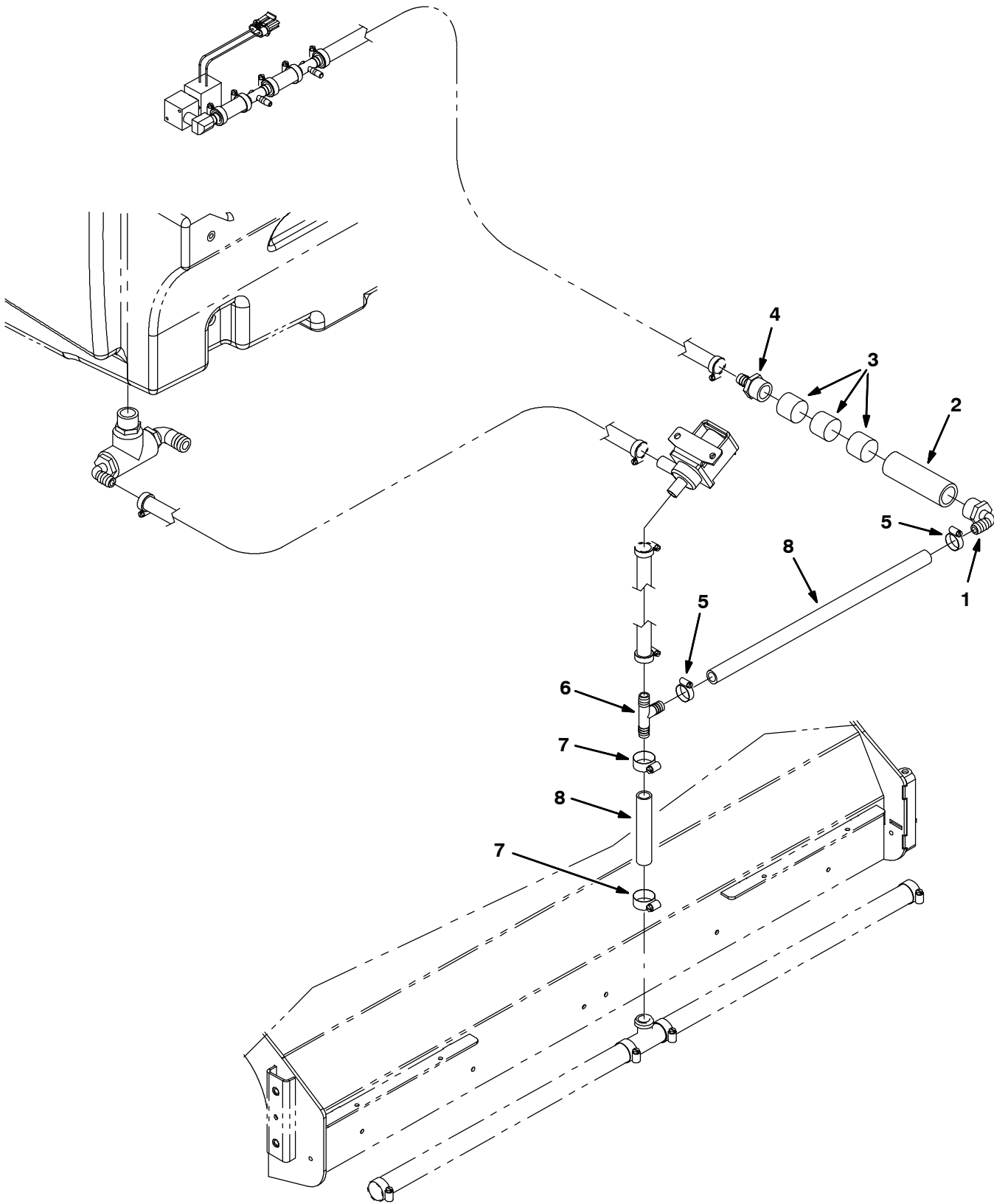


Fig. 9 - Fast Air Pump and Detergent Group (000000-002532)

Ref.	Part No.	Serial Number	Description	Qty.
1	1018097	(000000-002532 )	Pump, Detgt, 12vdc	1
2	09206	(000000-002532 )	Screw, Hex, M4 X 0.7 X 12, 8.8	2
3	02850	(000000-002532 )	Nut, Hex, Lock, M4 X 0.7, NI	2
4	1014082	(000000-002532 )	Fitting, Brs, E90, Cf03/Pf02	2
5	150525	(000000-002532 )	Fitting, Brs, Str, Bm04/Pm02	2
6	11984	(000000-002532 )	Fitting, Pipe, E90, Pf02/Pm02	1
7	1014575	(000000-002532 )	Clamp, Hose, Plstc .351-.394 Id	8
8	1002898	(000000-002532 )	Fitting, Plstc, Str, Bm04, Cplg, Fem	1
9	1002899	(000000-002532 )	Fitting, Plstc, Str, Pm04, Cplg, Mal	1
10	1005435	(000000-002532 )	Fitting, Plstc, Pipe, Cap, Pf04	1
11	1013902	(000000-002532 )	Valve, Check, 0002psi Bm04/Bm04	1
12	1018780	(000000-002532 )	Pump, Air, Ele, 12vdc	1
13	1005255	(000000-002532 )	Filter Assy, Air, Mold, Ure	1
14	53466	(000000-002532 )	Clamp, Cable, Stl, 1.50d X 1.00w, 1h	1
15	76099	(000000-002532 )	Screw, Hex, M8 X 1.25 X 25, Fmg	1
16	1026067	(000000-002532 )	Bracket Wldt, Mtg [Fast]	1
17	09740	(000000-002532 )	Screw, Hex, M8 X 1.25 X 20, Ss	4
18	1017218	(000000-002532 )	Washer, Flat, 0.32b 1.00d .12, Ss	4
19	1029118	(000000-002532 )	Bracket, Mtg [Fast]	1
20	361339	(000000-002532 )	Screw, Hex, M6 X 1.0 X 16, Fmg	2
21	32490	(000000-002532 )	Washer, Flat, 0.25 Std	2
22	1033297	(000000-002532 )	Cover Wldt [Fast]	1
23	1021878	(000000-002532 )	Detergent Pkg, 4 Liter, Sgl [Tco 665]	1
24	1006415	(000000-002532 )	Hose, Afmkt, Pvc, Clr 0.25id 03ft	1

Fig. 10 - Fast Foam Filter Group (000000-002532)

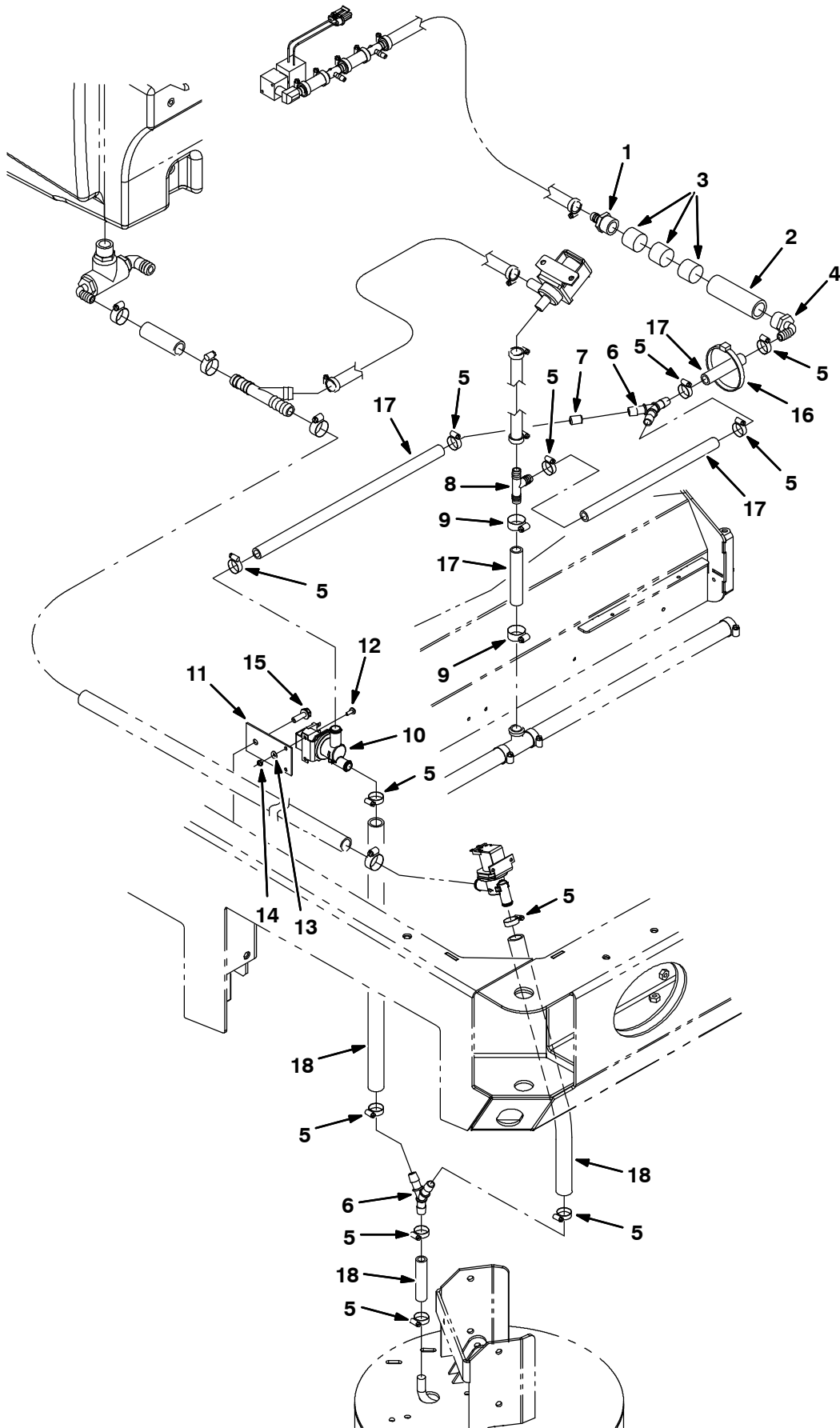




**Fig. 10 - Fast Foam Filter Group (000000-002532)**

<b>Ref.</b>	<b>Part No.</b>	<b>Serial Number</b>	<b>Description</b>	<b>Qty.</b>
1	1005552	(000000-002532 )	Fitting, Plstc, E90, Bm08/Pm12, Nyl	1
2	1005086	(000000-002532 )	Tube, Pvc, Clr, 4.0l [Shc80]	1
3	1002789	(000000-002532 )	Filter, Foam, Rbr, 1.20d, 1.0l	3
4	79273-1	(000000-002532 )	Fitting, Plstc, Str, Bm08/Pm12	1
5	54333	(000000-002532 )	Clamp, Hose, Wormdrive, 0.31-0.88d, .31w	2
6	385644	(000000-002532 )	Fitting, Plstc, Tee, Bm08/Bm12/Bm12, Br	1
7	63810	(000000-002532 )	Clamp, Hose, Wormdrive, 0.56-1.06d, .56w	2
8	1011521	(000000-002532 )	Hose, Afmkt, Pvc, Brd 0.50id 02ft	1

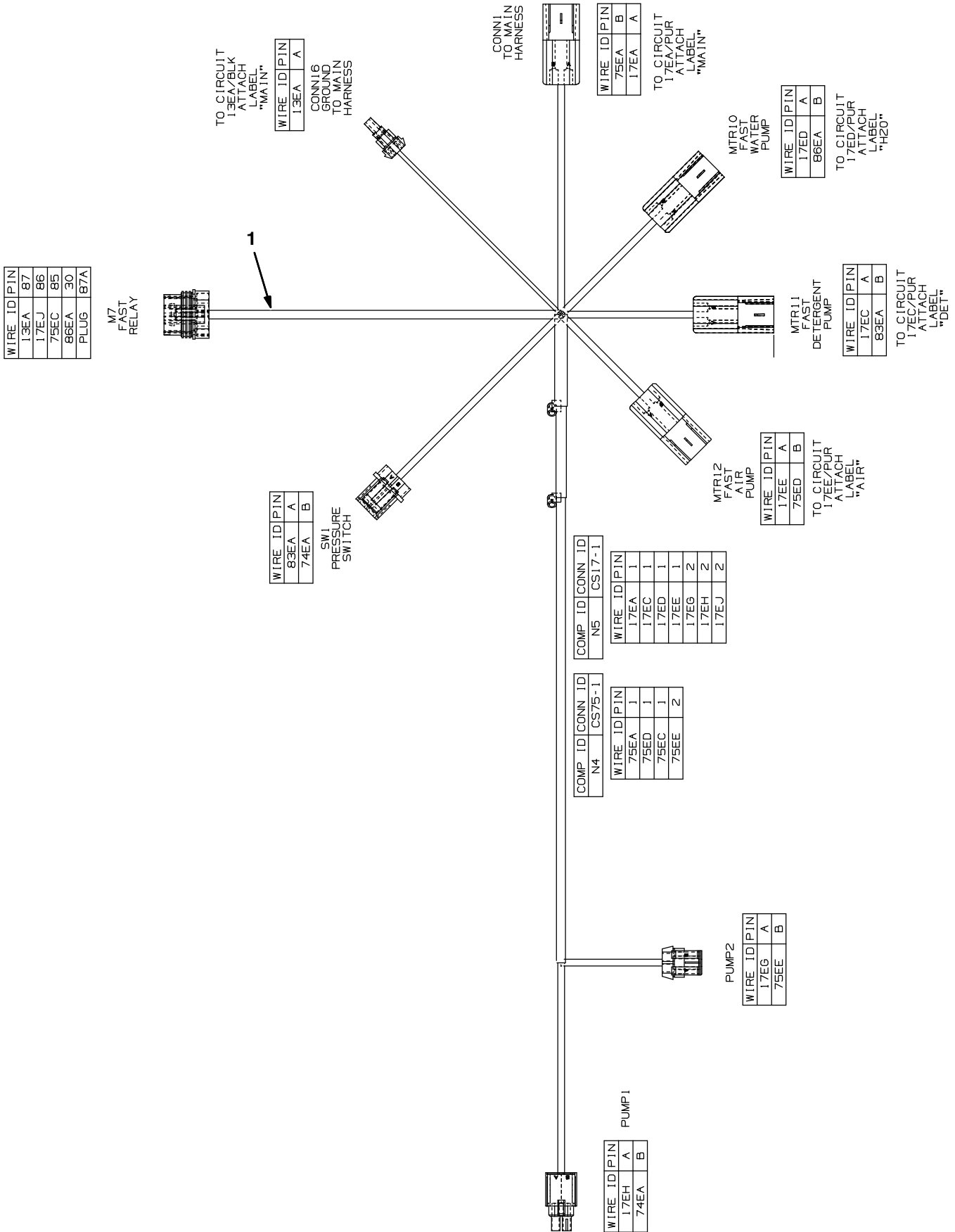
Fig. 11 - Fast Foam Filter Group, Side Brush (000000-002532)



**Fig. 11 - Fast Foam Filter Group, Side Brush (000000-002532)**

<b>Ref.</b>	<b>Part No.</b>	<b>Serial Number</b>	<b>Description</b>	<b>Qty.</b>
1	79273-1	(000000-002532 )	Fitting, Plstc, Str, Bm08/Pm12	1
2	1005086	(000000-002532 )	Tube, Pvc, Clr, 4.0l [Shc80]	1
3	1002789	(000000-002532 )	Filter, Foam, Rbr, 1.20d, 1.0l	3
4	1005552	(000000-002532 )	Fitting, Plstc, E90, Bm08/Pm12, Nyl	1
5	54333	(000000-002532 )	Clamp, Hose, Wormdrive, 0.31-0.88d, .31w	10
6	1010668	(000000-002532 )	Fitting, Plstc, Y, Bm08/Bm08/Bm08, Nyl	2
7	1018333	(000000-002532 )	Fitting, Plstc, Rst, .50od /.13id	1
8	385644	(000000-002532 )	Fitting, Plstc, Tee, Bm08/Bm12/Bm12, Br	1
9	63810	(000000-002532 )	Clamp, Hose, Wormdrive, 0.56-1.06d, .56w	2
10	1037825	(000000-002532 )	Valve, Solenoid, 12vdc, Water Flow	1
11	1030511	(000000-002532 )	Plate, Mtg, Valve	11
12	09200	(000000-002532 )	Screw, Pan, M5 X 0.8 X 12, Ss	2
13	01683	(000000-002532 )	Washer, Flat, #10, Ss	2
14	09739	(000000-002532 )	Nut, Hex, Lock, M5 X 0.8, NI, Ss	2
15	76099	(000000-002532 )	Screw, Hex, M8 X 1.25 X 25, Fmg	1
16	763116	(000000-002532 )	Tie, Cable, Nyl, 15.3l . W 4.5 Max D	1
17	1011412	(000000-002532 )	Hose, Afmkt, Pvc, Brd 0.50id 08ft	1
18	1015067	(000000-002532 )	Hose, Afmkt, Pvc, Clr 0.50id 08ft	1

Fig. 12 - Fast Wire Harness Group (000000-002532)



**Fig. 12 - Fast Wire Harness Group (000000-002532)**

<b>Ref.</b>	<b>Part No.</b>	<b>Serial Number</b>	<b>Description</b>	<b>Qty.</b>
1	1019646	(000000-002532 )	Harness [Fast, M20 And T20]	1

**Fig. 13 - FaST Pumps and Detergent Group (002533- )**

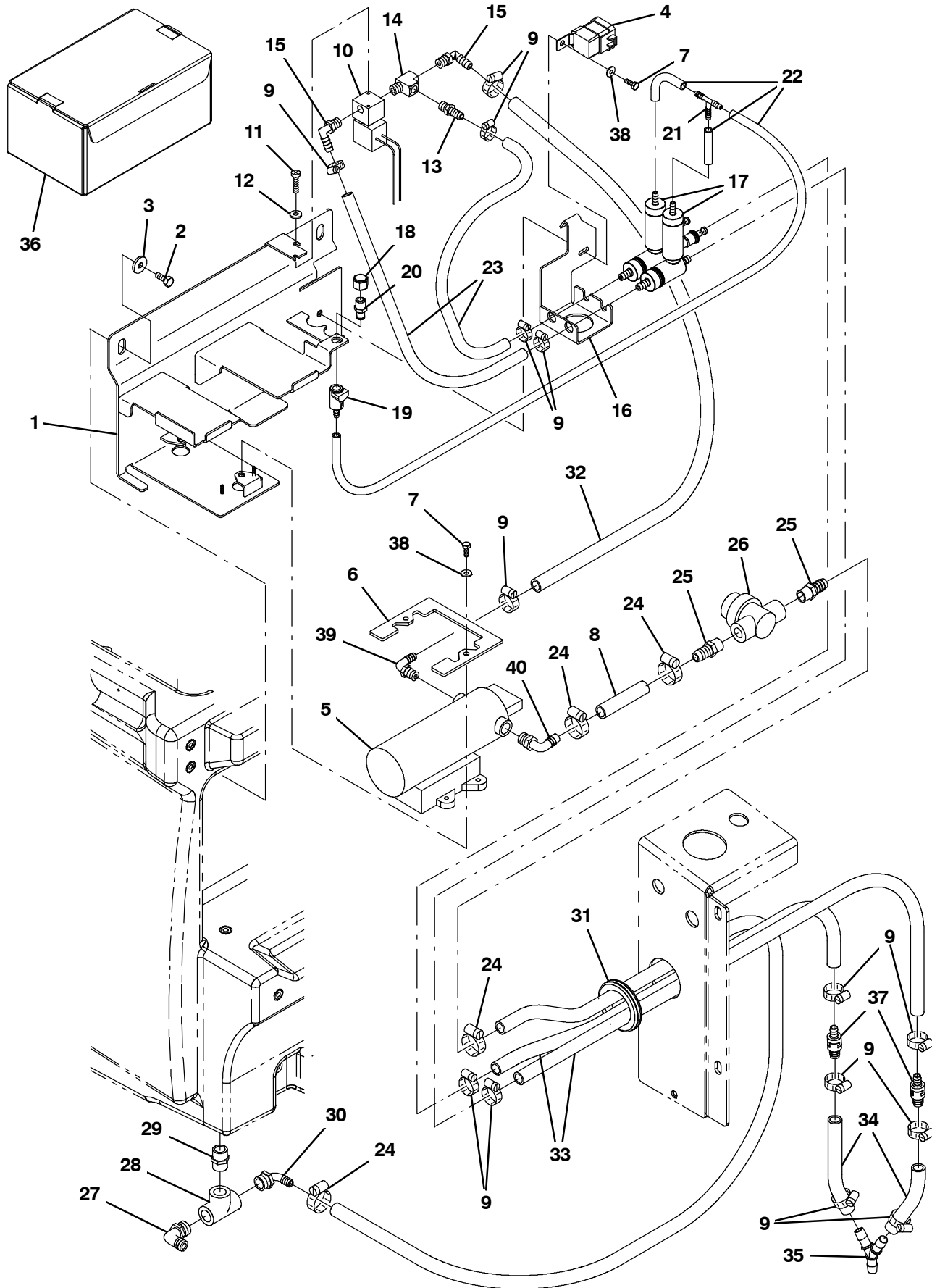
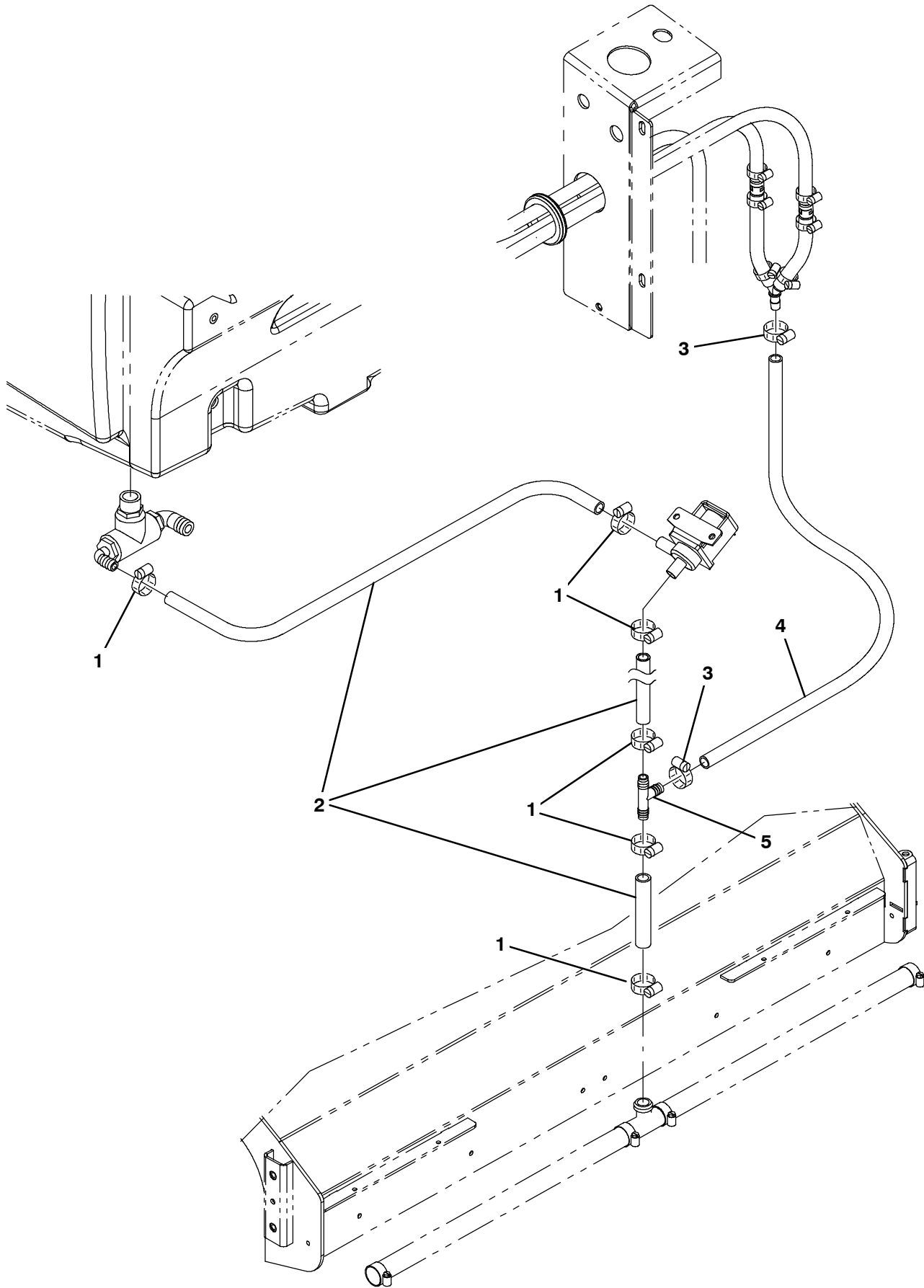


Fig. 13 - FaST Pumps and Detergent Group (002533- )

Ref.	Part No.	Serial Number	Description	Qty.
1	1044342	(002533-	) Bracket Wldt, Mtg [Fast Gen 2+]	1
2	09740	(002533-	) Screw, Hex, M8 X 1.25 X 20, Ss	2
3	1017218	(002533-	) Washer, Flat, 0.32b 1.00d .12, Ss	2
4	56186	(002533-	) Relay, 12vdc, 040a, Spdt No	1
5	1036801	(002533-	) Pump, Soltn, 13.7vdc, 65psi [Fast li+]	1
6	1039357	(002533-	) Bracket, Retainer, Pump	1
7	15678	(002533-	) Screw, Hex, M6 X 1.00 X 16, Ss	3
8	1011403	(002533-	) Hose, Afmkt, Pvc, Brd, 0.50ld, 01Ft, Clr	1
9	43844	(002533-	) Clamp, Hose, Wormdrive, 0.25-0.62d, .31w	14
10	1018098	(002533-	) Valve, Water, Solenoid, 12vdc 6.0mm Pf04	1
11	09200	(002533-	) Screw, Pan, Phl, M5 X 0.80 X 12, Ss	2
12	01683	(002533-	) Washer, Flat, 10, Ss	2
13	150540	(002533-	) Fitting, Plstc, Str, Bm06/Pm04	1
14	150709	(002533-	) Fitting, Brs, Tee, Pm04/Pf04/Pf04, Run	1
15	57248	(002533-	) Fitting, Plstc, E90, Bm06/Pm04, Nyl	2
16	1044343	(002533-	) Bracket, Mtg [Fast Gen 2+]	1
17	9004515	(002533-	) Fast Kit, Injector, Ci[M20/M30 FaST II+]	2
18	1005435	(002533-	) Fitting, Plstc, Pipe, Cap, Pf04	1
19	1002898	(002533-	) Fitting, Plstc, Str, Bm04, Cplg, Fem	1
20	1002899	(002533-	) Fitting, Plstc, Str, Pm04, Cplg, Mal	2
21	150713	(002533-	) Fitting, Plstc, Tee, Bm04/Bm04/Bm04	1
22	1014986	(002533-	) Hose, Afmkt, Pvc, Clr, 0.25id, 02ft	1
23	1006416	(002533-	) Hose, Afmkt, Pvc, Clr, 0.38id, 03ft	1
24	54333	(002533-	) Clamp, Hose, Wormdrive, 0.31-0.88d, .31w	8
25	150538	(002533-	) Fitting, Plstc, Str, Bm06/Pm06	2
26	1005302	(002533-	) Filter, In-Line, Pf06/Pf06 080mesh 02.6l	1
27	14877	(002533-	) Fitting, Plstc, E90, Bm12/Pm12	1
28	42133A	(002533-	) Fitting, Plstc, Tee, Pf12/Pf12/Pf12	1
29	24544	(002533-	) Fitting, Plstc, Str, Pm12/Pm12 1.60l	1
30	1005552	(002533-	) Fitting, Plstc, E90, Bm08/Pm12, Nyl	1
31	10632-19	(002533-	) Grommet, Rbr, 2.13id, F/2.5h, .12 Matl	1
32	1006400	(002533-	) Hose, Afmkt, Pvc, Brd, 0.38id, 03ft, Clr	1
33	1024237	(002533-	) Hose, Afmkt, Pvc, Wir, 0.50id, 03ft, Clr	1
34	1014929	(002533-	) Hose, Afmkt, Pvc, Clr, 0.38id, 01ft	1
35	1010668	(002533-	) Fitting, Plstc, Y, Bm08/Bm08/Bm08, Nyl	1
36	1021878	(002533-	) Fast 665 4 Ltr, Detergent	1
37	1035794	(002533-	) Valve, Check, 0005psi Bm06/Bm08	2
38	01684	(002533-	) Washer, Flat, 0.27B 0.69D .05, Ss	3
39	1049254	(002533-	) Fitting, Nyl, Qdc, E90, Bm08/ Qm10	1
40	1049259	(002533-	) Fitting, NylY, Qdc, E90, Bm06/ Qm10	1

Fig. 14 - FaST Solution Supply Group (002533- )

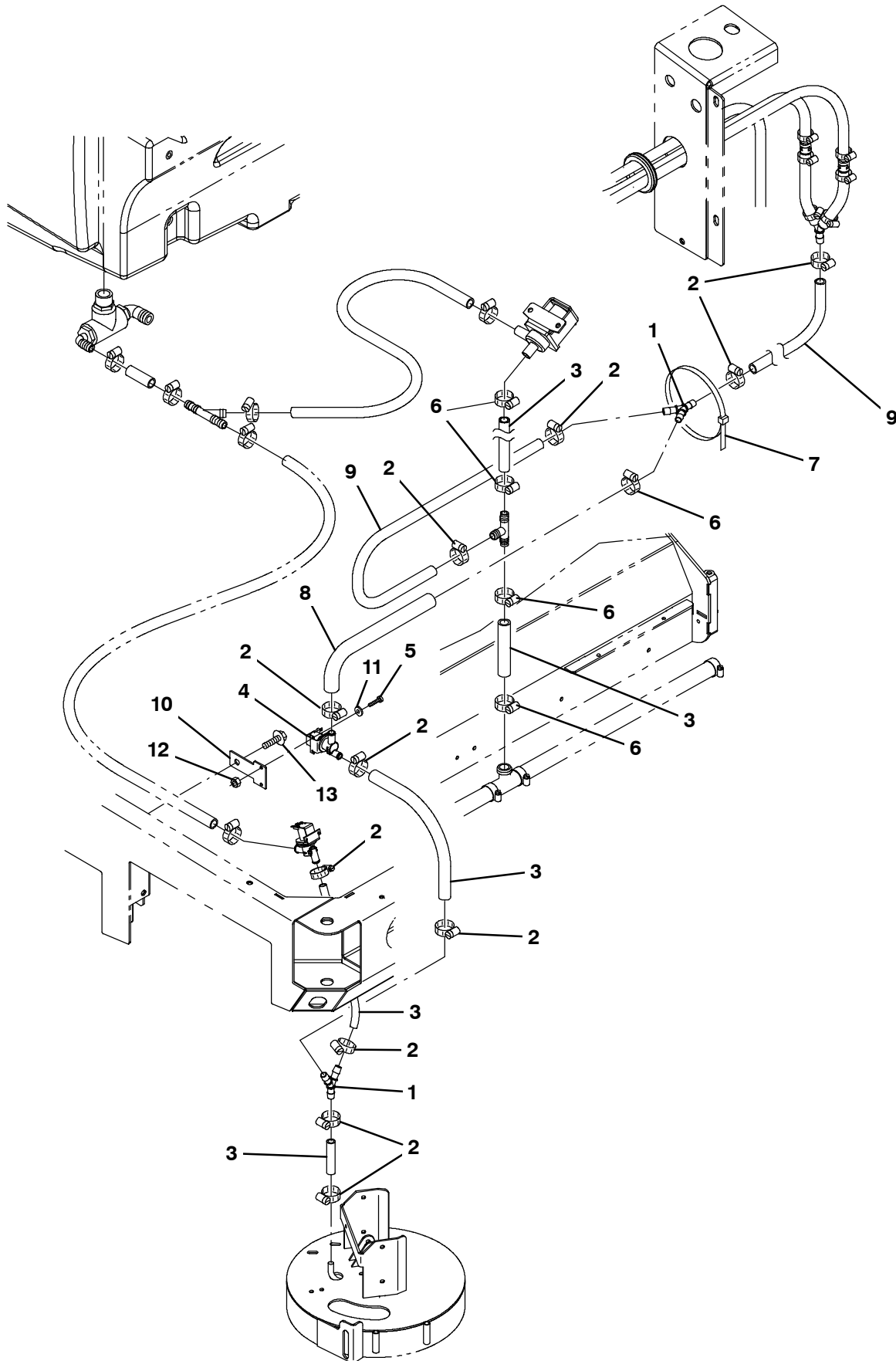




**Fig. 14 - FaST Solution Supply Group (002533- )**

<b>Ref.</b>	<b>Part No.</b>	<b>Serial Number</b>	<b>Description</b>	<b>Qty.</b>
1	63810	(002533-	) Clamp, Hose, Wormdrive, 0.56-1.06d, .56w	6
2	1015045	(002533-	) Hose, Afmkt, Pvc, Brd, 0.75id, 08ft, Clr	1
3	54333	(002533-	) Clamp, Hose, Wormdrive, 0.31-0.88d, .31w	2
4	1011412	(002533-	) Hose, Afmkt, Pvc, Brd, 0.50id, 08ft, Clr	1
5	385644	(002533-	) Fitting, Plstc, Tee, Bm08/Bm12/Bm12, Br	1

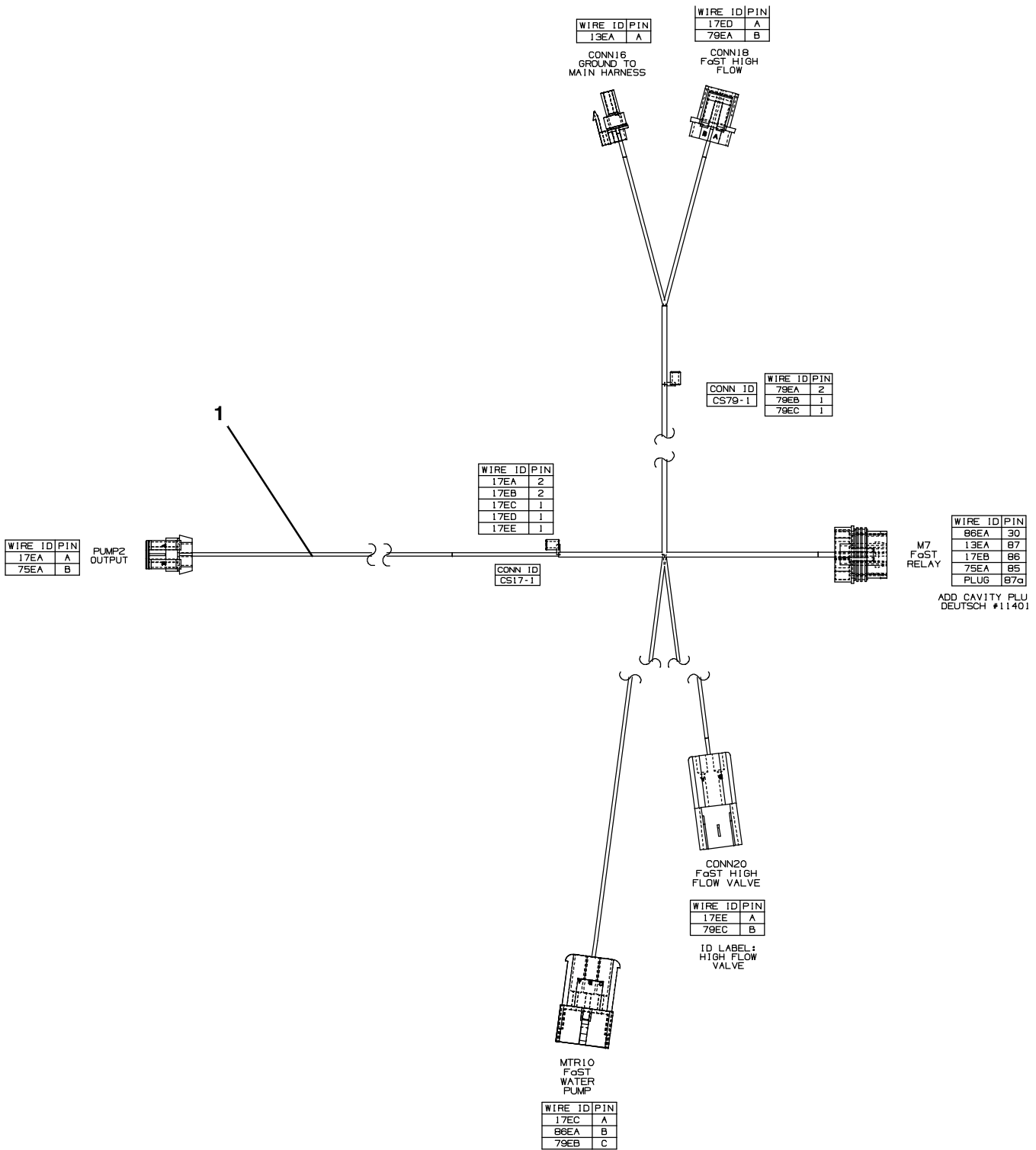
Fig. 15 - FaST Solution Supply Group with Side Brush (002533- )



**Fig. 15 - FaST Solution Supply Group with Side Brush (002533- )**

<b>Ref.</b>	<b>Part No.</b>	<b>Serial Number</b>	<b>Description</b>	<b>Qty.</b>
1	1010668	(002533-	) Fitting, Plstc, Y, Bm08/Bm08/Bm08, Nyl	2
2	54333	(002533-	) Clamp, Hose, Wormdrive, 0.31-0.88d, .31w	11
3	1015067	(002533-	) Hose, Afmkt, Pvc, Clr, 0.50id, 08ft	1
4	1037825	(002533-	) Valve, Solenoid, 12vdc, Water Flow	1
5	09200	(002533-	) Screw, Pan, Phl, M5 X 0.80 X 12, Ss	2
6	63810	(002533-	) Clamp, Hose, Wormdrive, 0.56-1.06d, .56w	5
7	763116	(002533-	) Tie, Cable, Nyl, 15.3l . W 4.5 Max D	1
8	31543	(002533-	) Hose, Heater, E90, 0.62id, 24.0 4.0	1
9	1011412	(002533-	) Hose, Afmkt, Pvc, Brd, 0.50id, 08ft, Clr	1
10	1030511	(002533-	) Plate, Mtg, Valve	1
11	01683	(002533-	) Washer, Flat, 10, Ss	2
12	09739	(002533-	) Nut, Hex, Lock, M5 X 0.80, NI, Ss	2
13	76099	(002533-	) Screw, Hex, M8 X 1.25 X 25, Fmg	1

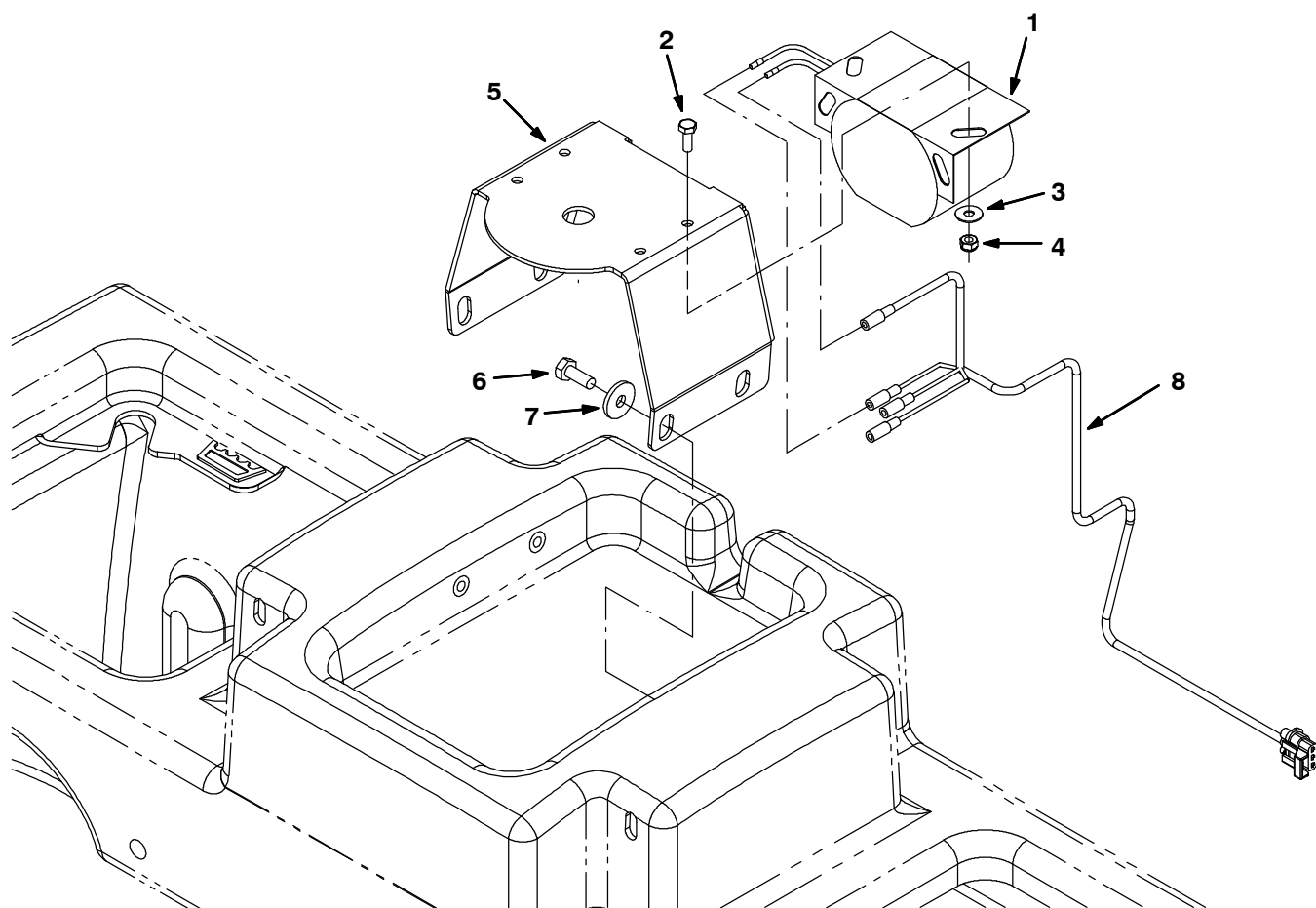
Fig. 16 - Fast Wire Harness Group (002533- )



354724

Ref.	Part No.	Serial Number	Description	Qty.
1	1037809	(002533- )	Harness, Wire [Fast Gen 2]	1

Fig. 17 - Backup Alarm Kit



354473

Ref.	Part No.	Serial Number	Description	Qty.
▽	9001321	(000000-	) Alarm Kit, Backup, Ci [M20 And T20]	1
▲	1 61920	(000000-	) Alarm Assy, Backup, 12-24vdc 82-107dba	1
▲	2 24196	(000000-	) Screw, Pan, Phl, M5 X 0.80 X 20, Ss	2
▲	3 19066	(000000-	) Washer, Flat, 10	2
▲	4 09739	(000000-	) Nut, Hex, Lock, M5 X 0.80, NI, Ss	2
▲	5 1019445	(000000-	) Bracket, Sppt, Revl Light	1
▲	6 09740	(000000-	) Screw, Hex, M8 X 1.25 X 20, Ss	4
▲	7 1017218	(000000-	) Washer, Flat, 0.32b 1.00d .12, Ss	4
▲	8 1019971	(000000-	) Harness, Warning / Backup [M20 & T20]	1

Fig. 18 - Light Kit, Flashing

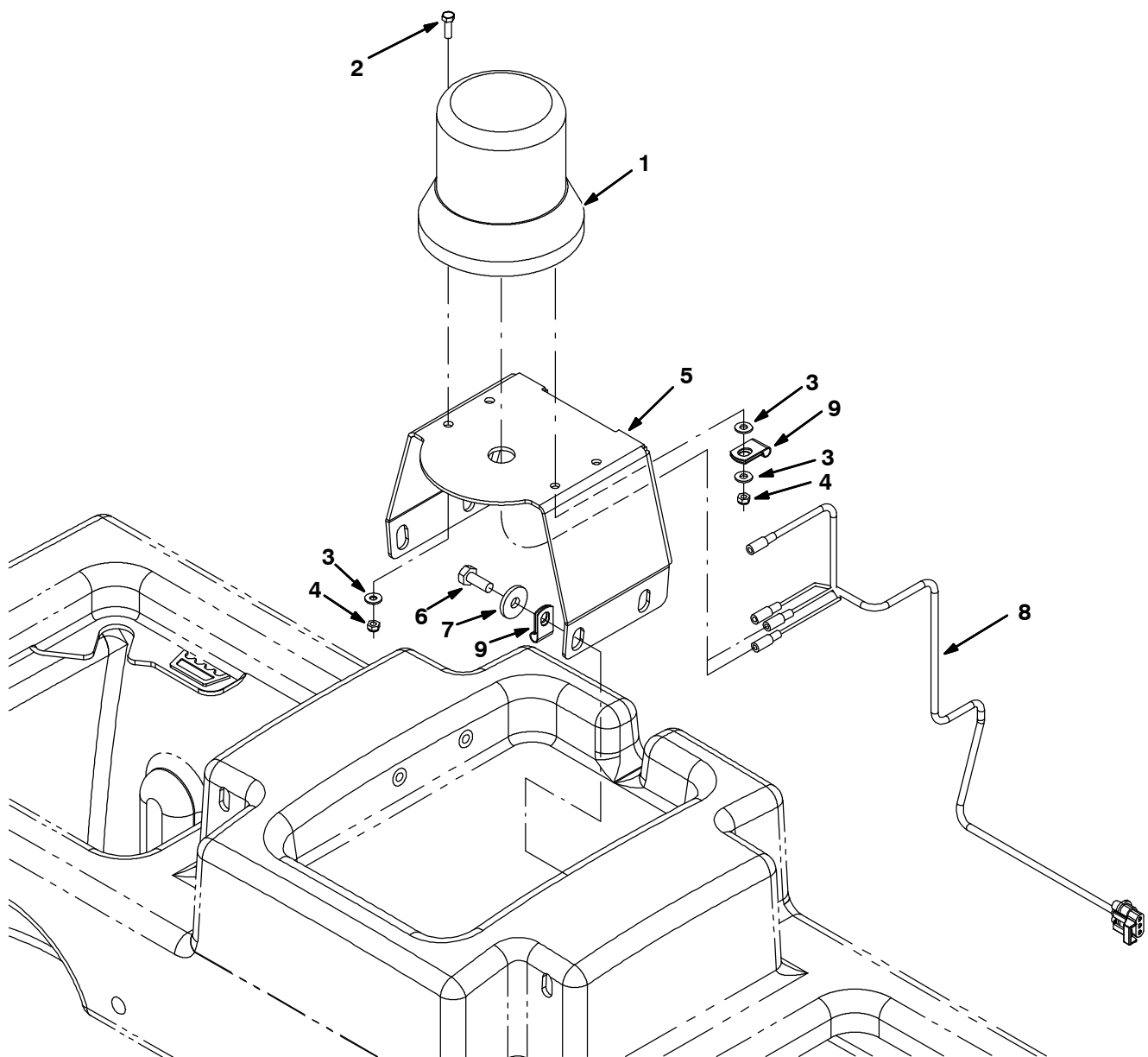
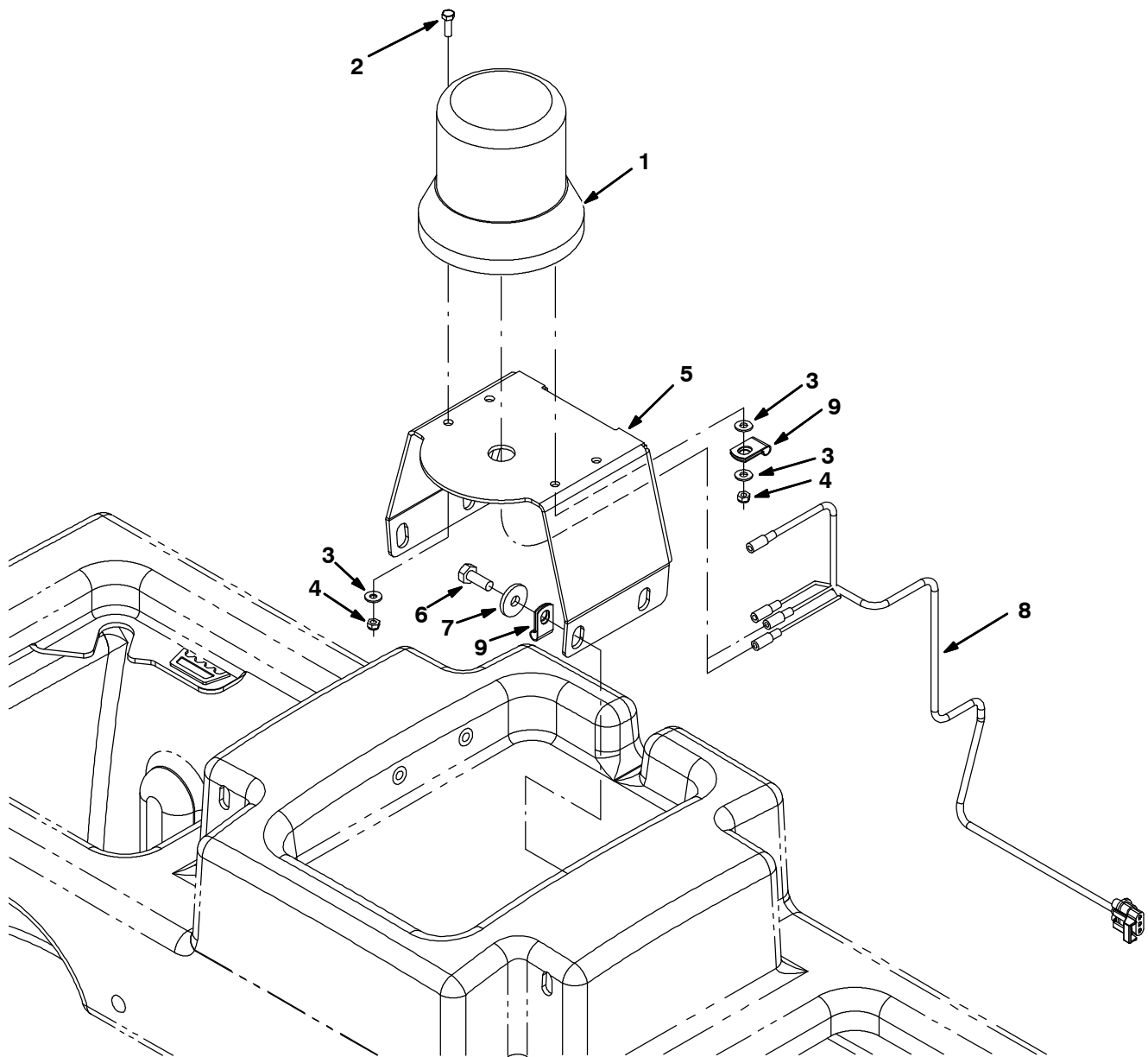


Fig. 18 - Light Kit, Flashing

Ref.	Part No.	Serial Number	Description	Qty.
▽	9001327	(000000-	) Light Kit, Flsh, Ci [M20 And T20]	1
▲▽	1 1017248	(000000-	) Lamp, Flasher, Amb [12-48 Vdc]	1
▲▲	9000879	(000000-	) Lens, Lamp, Amb, Strobe/Flasher	1
▲▲	9000845	(000000-	) Lamp, Bulb, Lamp, Flsh	1
▲▲	1027800	(000000-	) Lens, Blue, Option, F/ Revl / Flsh Light	1
▲▲	1027798	(000000-	) Lens, Red, Option, F/ Revl / Flsh Light	1
▲	55272	(000000-	) Terminal, Bullet, Mal, .157d, 12ga	2
▲	2 24196	(000000-	) Screw, Pan, Phl, M5 X 0.80 X 20, Ss	2
▲	3 19066	(000000-	) Washer, Flat, 10	2
▲	4 09739	(000000-	) Nut, Hex, Lock, M5 X 0.80, NI, Ss	2
▲	5 1019445	(000000-	) Bracket, Sppt, Revl Light	1
▲	6 09740	(000000-	) Screw, Hex, M8 X 1.25 X 20, Ss	4
▲	7 1017218	(000000-	) Washer, Flat, 0.32b 1.00d .12, Ss	4
▲	8 1019971	(000000-	) Harness, Warning / Backup [M20 & T20]	1
▲	9 46236	(000000-	) Clamp, Cable, Stl, 0.25D X 0.56W, 1Hole	2

Fig. 19 - Light Kit, Revolving

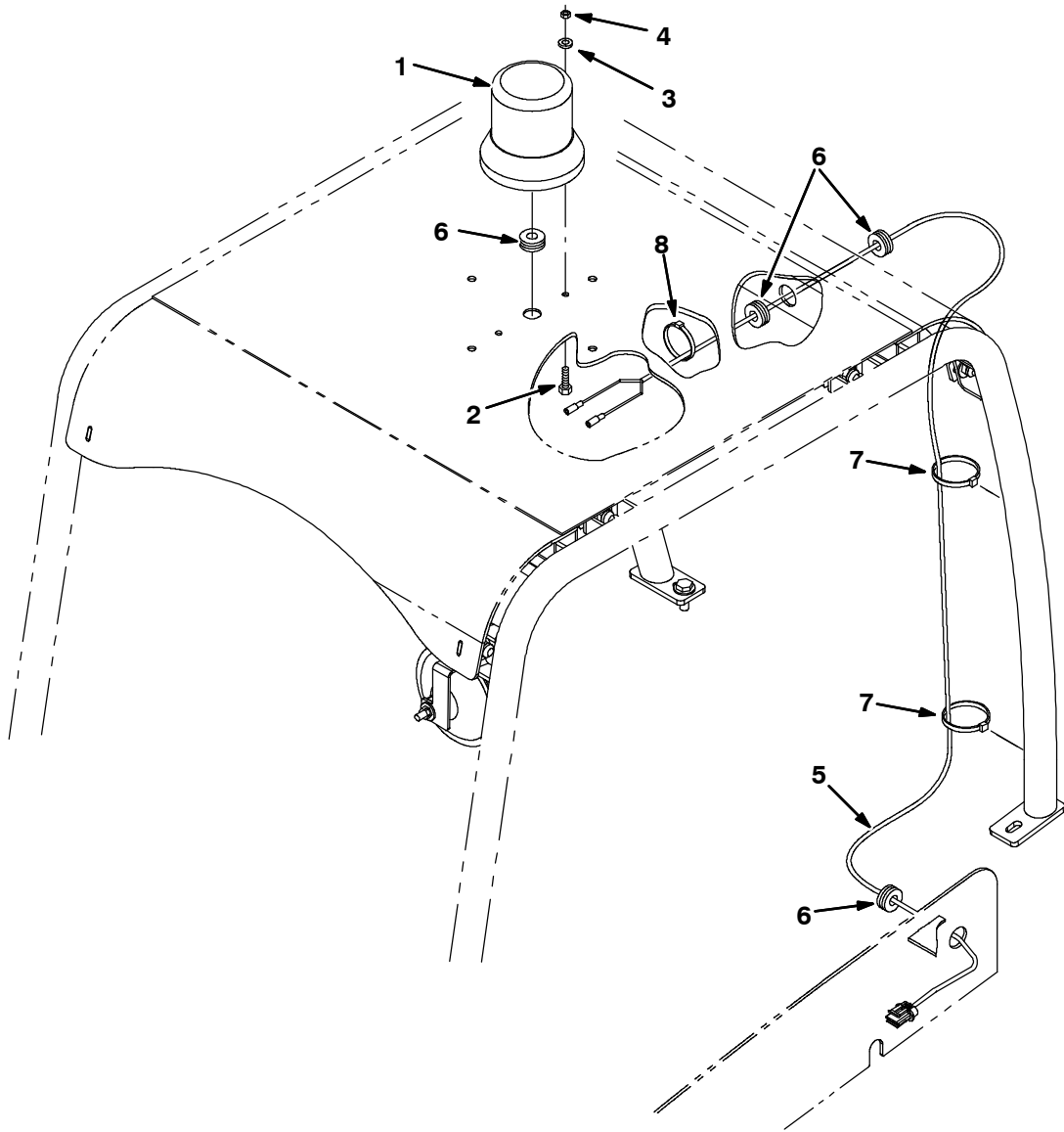




**Fig. 19 - Light Kit, Revolving**

	<b>Ref.</b>	<b>Part No.</b>	<b>Serial Number</b>	<b>Description</b>	<b>Qty.</b>
▽		9001331	(000000-	) Light Kit, Revl, Ci [M20 And T20]	1
▲▽	1	1017250	(000000-	) Lamp Strobe, Amb [12-48 Vdc]	1
▲▲		9000879	(000000-	) Lens, Lamp, Amb, Strobe/Flasher	1
▲▲		9000846	(000000-	) Lamp, Bulb, Lamp, Strobe	1
▲▲		1027800	(000000-	) Lens, Blue, Option, F/ Revl / Flsh Light	1
▲▲		1027798	(000000-	) Lens, Red, Option, F/ Revl / Flsh Light	1
▲		55272	(000000-	) Terminal, Bullet, Mal, .157d, 12ga	2
▲	2	24196	(000000-	) Screw, Pan, Phl, M5 X 0.80 X 20, Ss	2
▲	3	19066	(000000-	) Washer, Flat, 10	2
▲	4	09739	(000000-	) Nut, Hex, Lock, M5 X 0.80, NI, Ss	2
▲	5	1019445	(000000-	) Bracket, Sppt, Revl Light	1
▲	6	09740	(000000-	) Screw, Hex, M8 X 1.25 X 20, Ss	4
▲	7	1017218	(000000-	) Washer, Flat, 0.32b 1.00d .12, Ss	4
▲	8	1019971	(000000-	) Harness, Warning / Backup [M20 & T20]	1
▲	9	46236	(000000-	) Clamp, Cable, Stl, 0.25D X 0.56W, 1Hole	2

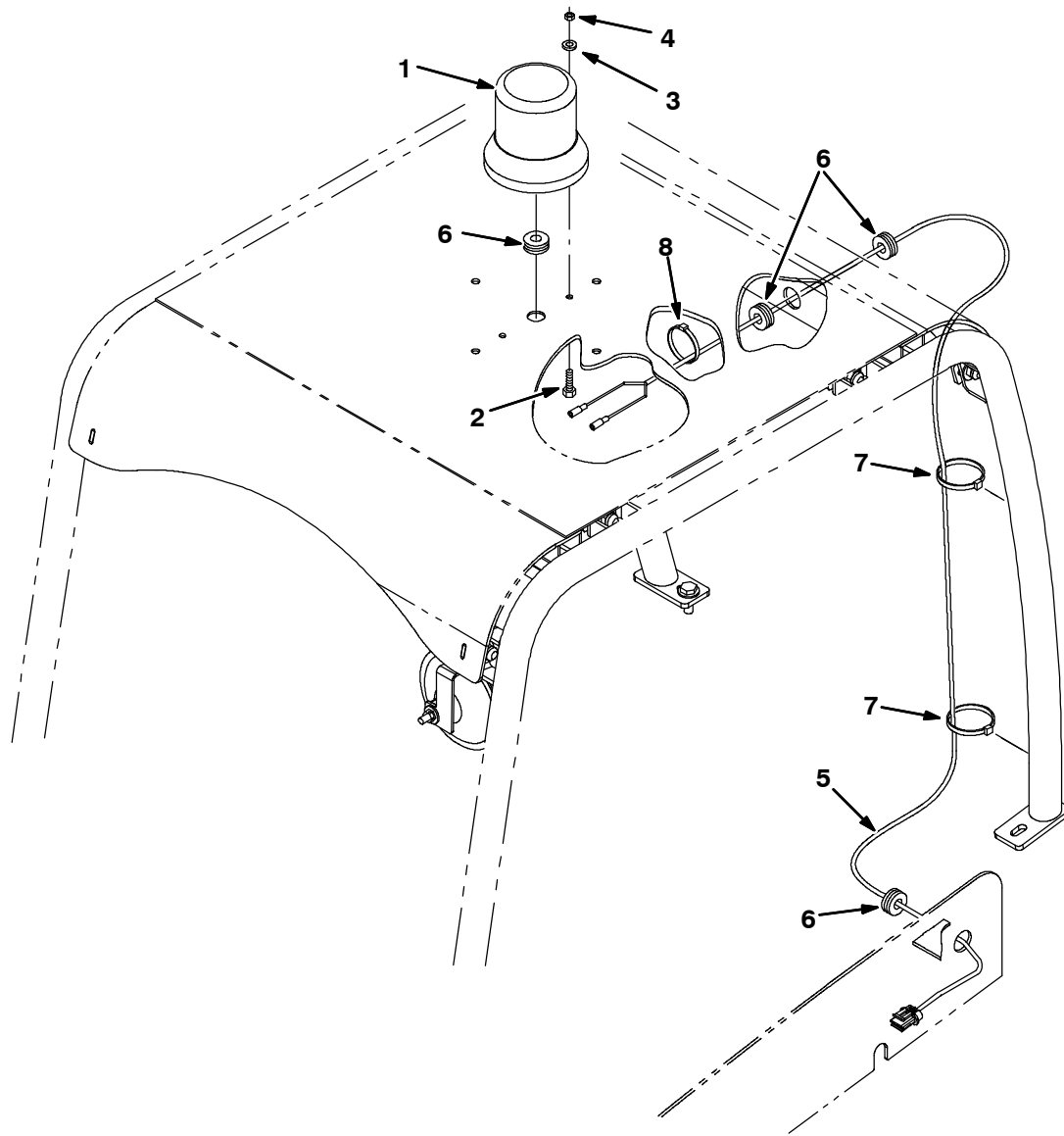
**Fig. 20 - Light Kit, Flashing Overhead Guard**



354477

Ref.	Part No.	Serial Number	Description	Qty.
▽	9001718	(000000-	) Light Kit, Flsh, W/Ohg, Ci[M20 And T20]	1
▲▽	1 1017248	(000000-	) Lamp, Flasher, Amb [12-48 Vdc]	1
▲▲	9000879	(000000-	) Lens, Lamp, Amb, Strobe/Flasher	1
▲▲	9000845	(000000-	) Lamp, Bulb, Lamp, Flsh	1
▲▲	1027800	(000000-	) Lens, Blue, Option, F/ Revl / Flsh Light	1
▲▲	1027798	(000000-	) Lens, Red, Option, F/ Revl / Flsh Light	1
▲	55272	(000000-	) Terminal, Bullet, Mal, .157d, 12ga	2
▲	2 24196	(000000-	) Screw, Pan, Phl, M5 X 0.80 X 20, Ss	2
▲	3 19066	(000000-	) Washer, Flat, 10	2
▲	4 09739	(000000-	) Nut, Hex, Lock, M5 X 0.80, NI, Ss	2
▲	5 1019647	(000000-	) Harness, Warning / Ohg [M20]	1
▲	6 10632-17	(000000-	) Grommet, Rbr, 0.50id, F/0.8h, .12 Matl	4
▲	7 763115	(000000-	) Tie, Cable, 6.0l, 1.25d Max	4
▲	8 49266	(000000-	) Tie, Cable, Nyl, 07.3l .19w 1.8 Max D	2

Fig. 21 - Light Kit, Revolving Overhead Guard



354477

Ref.	Part No.	Serial Number	Description	Qty.
▽	9001717	(000000-	) Light Kit, Revl, W/Ohg, Ci [M20 And T20]	1
▲▽	1 1017250	(000000-	) Lamp Strobe, Amb [12-48 Vdc]	1
▲▲	9000879	(000000-	) Lens, Lamp, Amb, Strobe/Flasher	1
▲▲	9000846	(000000-	) Lamp, Bulb, Lamp, Strobe	1
▲▲	1027800	(000000-	) Lens, Blue, Option, F/ Revl / Flsh Light	1
▲▲	1027798	(000000-	) Lens, Red, Option, F/ Revl / Flsh Light	1
▲	55272	(000000-	) Terminal, Bullet, Mal, .157d, 12ga	2
▲	2 24196	(000000-	) Screw, Pan, Phl, M5 X 0.80 X 20, Ss	2
▲	3 19066	(000000-	) Washer, Flat, 10	2
▲	4 09739	(000000-	) Nut, Hex, Lock, M5 X 0.80, NI, Ss	2
▲	5 1019647	(000000-	) Harness, Warning / Ohg [M20]	1
▲	6 10632-17	(000000-	) Grommet, Rbr, 0.50id, F/0.8h, .12 Matl	4
▲	7 763115	(000000-	) Tie, Cable, 6.0l, 1.25d Max	4
▲	8 49266	(000000-	) Tie, Cable, Nyl, 07.3l .19w 1.8 Max D	2

Fig. 22 - Overhead Guard Kit

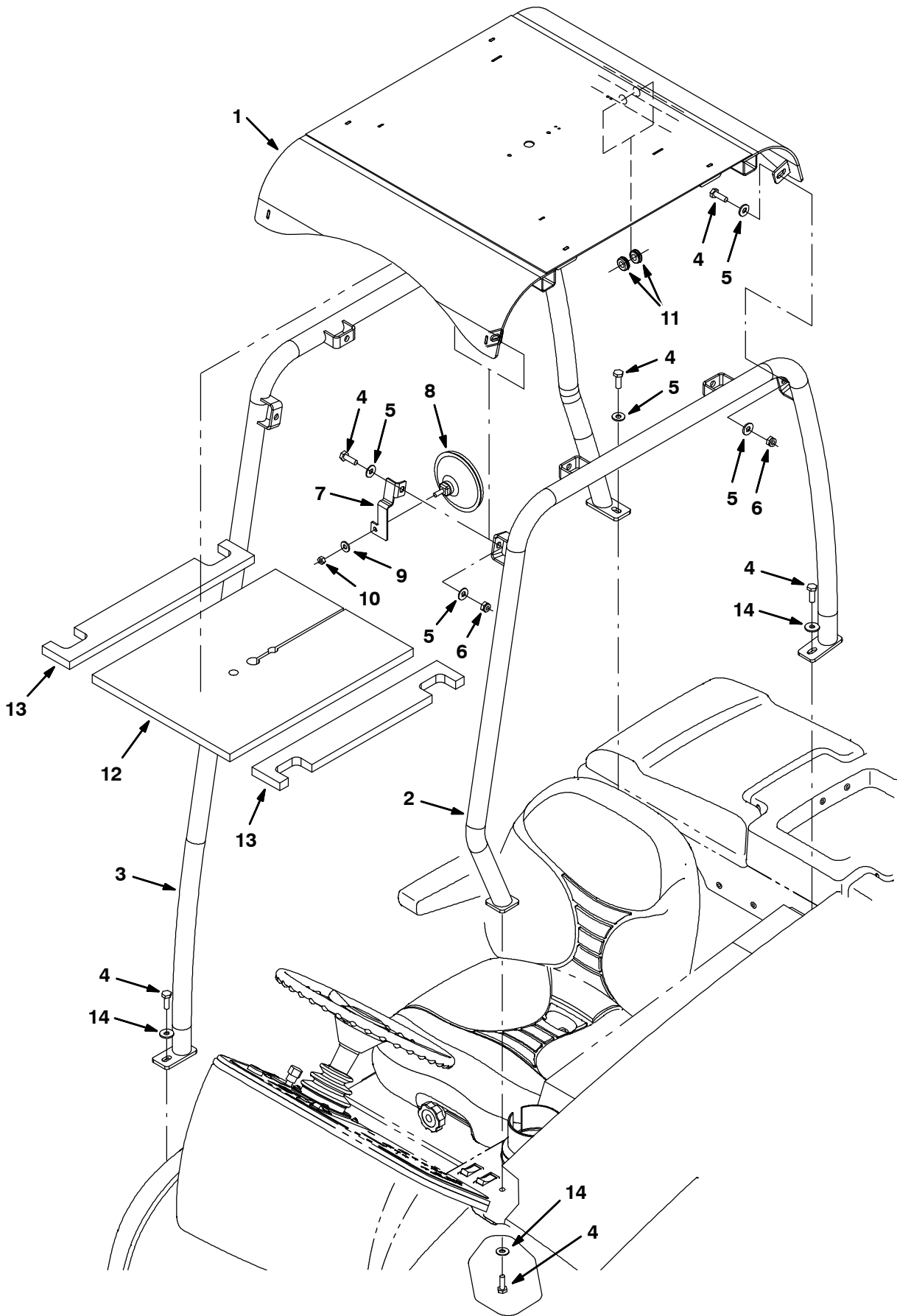
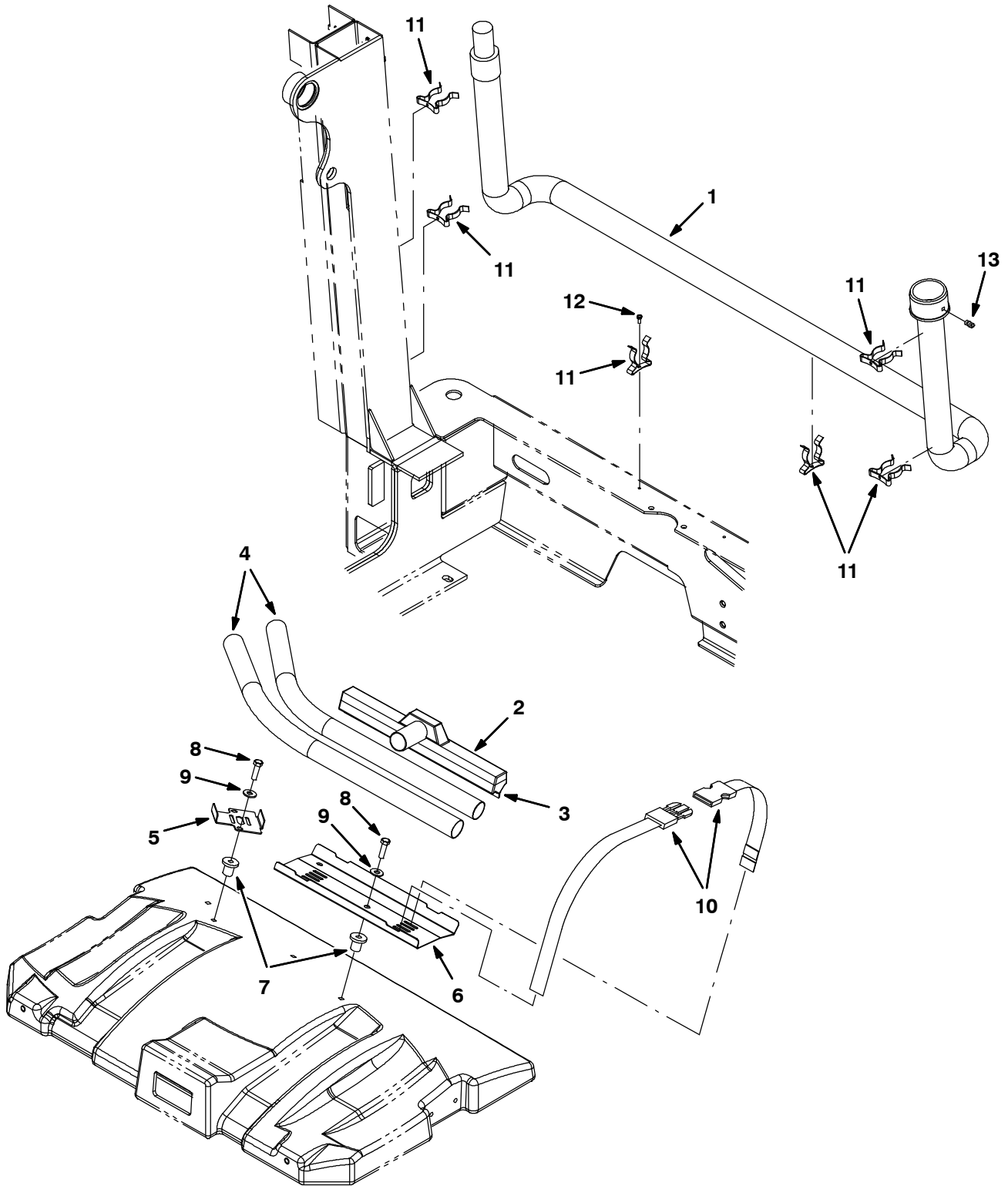


Fig. 22 - Overhead Guard Kit

	Ref.	Part No.	Serial Number	Description	Qty.
▽		9001314	(000000-	) Ohg Kit, Ci [M20 And T20]	1
▲	1	1022276	(000000-	) Guard Wldt, Top, Ohg	1
▲	2	1022265	(000000-	) Tube Wldt, Leg, Ohg, Lh, Pntd	1
▲	3	1022266	(000000-	) Tube Wldt, Leg, Ohg, Rh, Pntd	1
▲	4	03192	(000000-	) Screw, Hex, M10 X 1.5 X 30, 8.8	12
▲	5	32492	(000000-	) Washer, Flat, 0.38 Std	17
▲	6	41430	(000000-	) Nut, Hex, Lock, M10 X 1.5, NI	8
▲	7	1023879	(000000-	) Bracket, Mtg, Mirror, Rearview	1
▲	8	1050295	(000000-	) Mirror, Convex, 0.50D	1
▲	9	32491	(000000-	) Washer, Flat, 0.31, Std	1
▲	10	19313	(000000-	) Nut, Hex, Std, .31-18	1
▲	11	10632-17	(000000-	) Grommet, Rbr, 0.50id, F/0.8h, .12 Matl	2
▲	12	1032830	(000000-	) Insulation	1
▲	13	1032831	(000000-	) Insulation	2
▲	14	1014563	(000000-	) Washer, Flat, 0.40b 1.12d .12, Ss	3

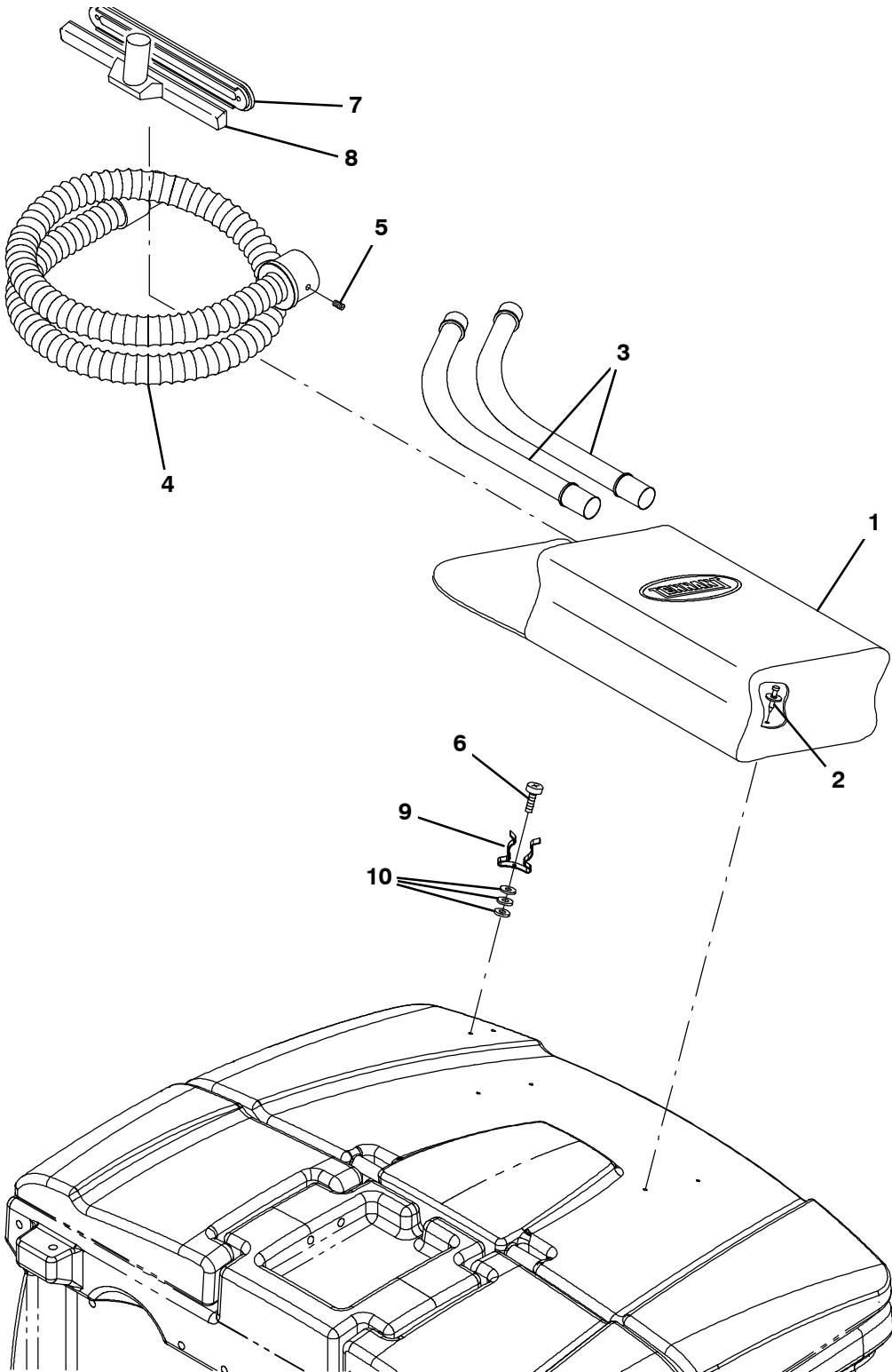
Fig. 23 - Vacuum Wand Kit (000000-002406)



**Fig. 23 - Vacuum Wand Kit (000000-002406)**

	<b>Ref.</b>	<b>Part No.</b>	<b>Serial Number</b>	<b>Description</b>	<b>Qty.</b>
▽		9001334	(000000-002406 )	Wand Kit, Vacuum, Ci [M20]	1
▲	1	69657	(000000-002406 )	Hose Assy, W/2cuff, 1.5d 84l [Vacwand]	1
▲	2	63451	(000000-002406 )	Nozzle, Wand, Plstc, 14.0lg	1
▲	3	63430	(000000-002406 )	Shoe, Plstc, Sqge, 14.0	1
▲	4	63448	(000000-002406 )	Tube, Wand, Vacuum, Metal [1pick=1box]	1
▲	5	1030549	(000000-002406 )	Bracket, Mtg, Vacuum Wand	1
▲	6	1026146	(000000-002406 )	Plate, Mtg, Vacuum Wand	1
▲	7	397648	(000000-002406 )	Nut, Isolator, .38-16 Wall Th .015-.437	4
▲	8	21198	(000000-002406 )	Screw, Hex, .38-16 X 1.25, 5	4
▲	9	32492	(000000-002406 )	Washer, Flat, 0.38 Std	4
▲	10	367974	(000000-002406 )	Strap, Pyp, 0.07 1.0w 18.5l, W/ Buckle	3
▲	11	67004	(000000-002406 )	Clip, Grip, Finger, 1.00-1.88d White,Vyl	6
▲	12	55845	(000000-002406 )	Screw, Hex, M5 X 0.8 X 16, Fmg	6
▲	13	69659	(000000-002406 )	Plunger	1

Fig. 24 - Vacuum Wand Kit (002407- )





**Fig. 24 - Vacuum Wand Kit (002407- )**

	<b>Ref.</b>	<b>Part No.</b>	<b>Serial Number</b>	<b>Description</b>	<b>Qty.</b>
▽		9001334	(002407-	) Wand Kit, Vacuum, Ci [M20]	1
▲	1	65580	(002407-	) Bag, Power	1
▲	2	72968	(002407-	) Rivet, Plstc, .250d X 0.90	4
▲	3	63448	(002407-	) Tube, Wand, Vacuum, Metal	1
▲	4	69657	(002407-	) Hose Assy, W/2cuff, 1.5d 084l [Vacwand]	1
▲	5	69659	(002407-	) Plunger	1
▲	6	55845	(002407-	) Screw, Hex, M5 X 0.80 X 16, Fmg	2
▲	7	63430	(002407-	) Shoe, Plstc, Sqge, 14.0	1
▲	8	63451	(002407-	) Nozzle, Wand, Plstc, 14.0l	1
▲	9	67004	(002407-	) Clip, Grip, Finger, 1.00-1.88d White,Vyl	2
▲	10	19064	(002407-	) Washer, Flat, 06	6

Fig. 25 - Spray Nozzle Kit

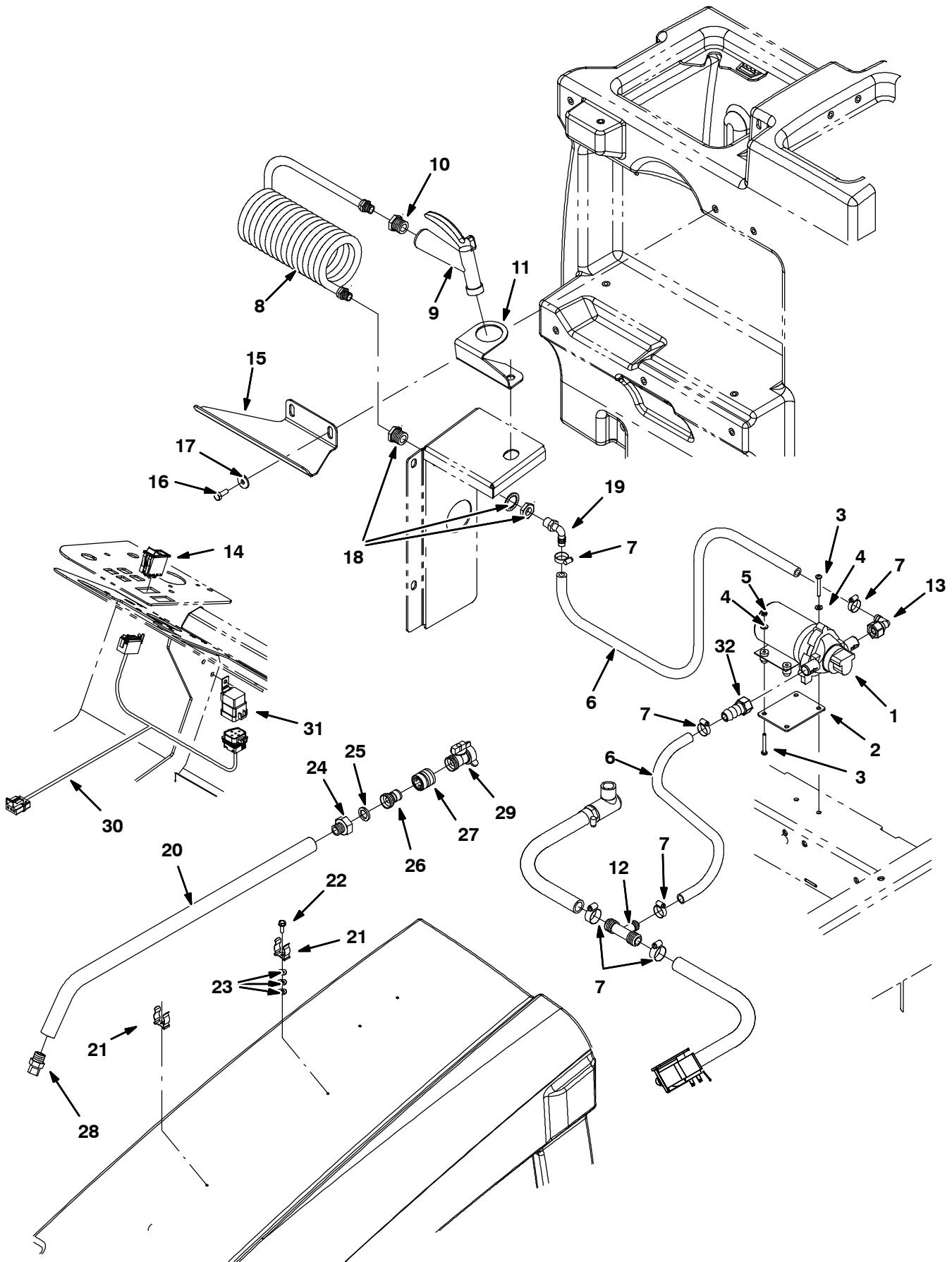
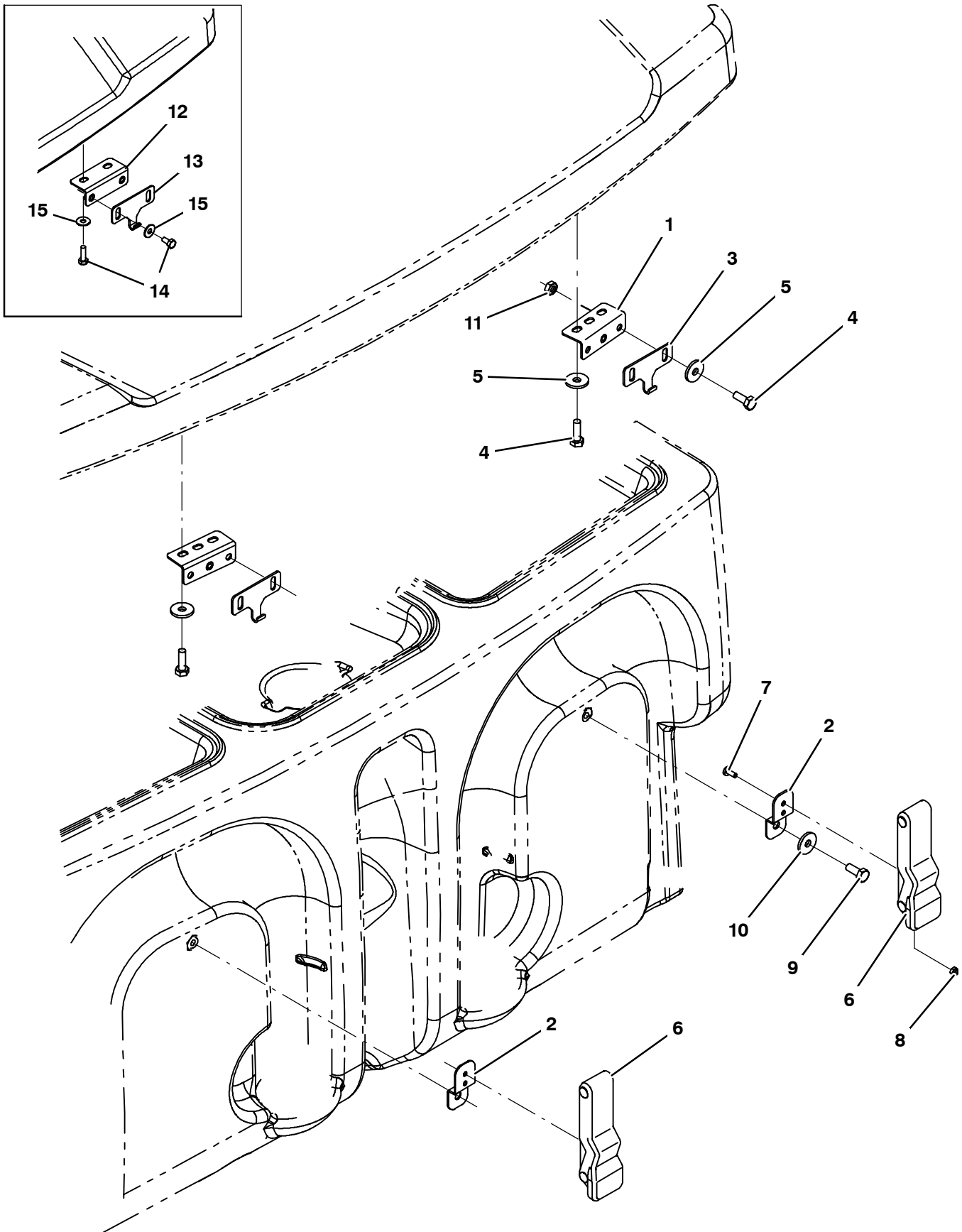


Fig. 25 - Spray Nozzle Kit

Ref.	Part No.	Serial Number	Description	Qty.
▽	9001310	(000000-	) Nozzle Kit, Spray, Ci	1
▲	1 1026743	(000000-	) Pump, Diaphragm (See Breakdown)	1
▲	2 1027007	(000000-	) Plate, Mtg, Pump	1
▲	3 06939	(000000-	) Screw, Pan, M5 X 0.80 X 45, 4.8	4
▲	4 19066	(000000-	) Washer, Flat, #10	4
▲	5 06549	(000000-	) Nut, Hex, Lock, M5 X 0.80, NI	2
▲	6 1015045	(000000-	) Hose, Afmkt, Pvc, Brd, 0.75id, 08ft, Clr	1
▲	7 63810	(000000-	) Clamp, Hose, Wormdrive, 0.56-1.06d, .56w	6
▲	8 1019250	(000000-	) Hose, Water, Coil	1
▲	9 769785	(000000-	) Nozzle, Spray, Gun	1
▲	10 1027976	(000000-	) Fitting, Brs, Str, Pf06/Pm12	1
▲	11 1027237	(000000-	) Bracket, Mtg, Spray Handle	1
▲	12 385644	(000000-	) Fitting, Plstc, Tee, Bm08/Bm12/Bm12, Br	1
▲	13 1018499	(000000-	) Fitting, Plstc, E90, Bm08/Pf08s, Swivel	1
▲	14 398500	(000000-	) Switch, Rocker, Dpdt On/None/On	1
▲	15 1029790	(000000-	) Bracket, Mtg, Spray Wand [Fast, Conv]	1
▲	16 09740	(000000-	) Screw, Hex, M8 X 1.25 X 20, Ss	2
▲	17 1017218	(000000-	) Washer, Flat, 0.32b 1.00d .12, Ss	2
▲	18 1027978	(000000-	) Fitting, Brs, Str, Pf06/Pf06 Bh	1
▲	19 64778	(000000-	) Fitting, Plstc, E90, Bm08/Pm06	1
▲	20 1029055	(000000-	) Wand, Clean-Out	1
▲	21 1029057	(000000-	) Clip, Grip, Finger, .875-1.25	2
▲	22 20394	(000000-	) Screw, Hex, #10-16 X 0.62, Fmg [Ab]	2
▲	23 01683	(000000-	) Washer, Flat, #10, Ss	6
▲	24 375321	(000000-	) Fitting, Brs, Str, Pm08/Garden Hose	1
▲	25 01316	(000000-	) Washer, Flat, 0.66b 1.00d .12, Rbr	1
▲	26 1029153	(000000-	) Nipple, Hose	1
▲	27 1029155	(000000-	) Coupling, Nozzle, Spray	1
▲	28 1029156	(000000-	) Nozzle	1
▲	29 1029399	(000000-	) Valve, Shutoff	1
▲	30 1021881	(000000-	) Harness, Spray, Nozzle	1
▲	31 56186	(000000-	) Relay, 12vdc, 40a, Spdt N/O	1
▲	32 1018495	(000000-	) Fitting, Plstc, Str, Bm08/Pf08s, Swivel	1

Fig. 26 - Transport Group



**Fig. 26 - Transport Group**

<b>Ref.</b>	<b>Part No.</b>	<b>Serial Number</b>	<b>Description</b>	<b>Qty.</b>
1	1040800	(002473-	) Bracket, Latch, Cover	2
2	1020526	(000000-	) Bracket, Retaining, Hose	2
3	1032896	(002473-	) Plate, Hook, Latch, [M20]	2
4	09744	(002473-	) Screw, Hex, M6 X 1.00 X 12, Ss	8
5	01684	(002473-	) Washer, Flat, 0.27b 0.69d .05, Ss	8
6	360824	(000000-	) Latch	2
7	09200	(000000-	) Screw, Pan, Phl, M5 X 0.80 X 12, Ss	4
8	09739	(000000-	) Nut, Hex, Lock, M5 X 0.80, NI, Ss	4
9	393135	(000000-	) Screw, Btn, M8 X 1.25 X 20, Blk	2
10	32491	(000000-	) Washer, Flat, 0.31, Std	2
11	08712	(002473-	) Nut, Hex, Lock, M6 X 1.00, NI, Ss	4
12	1032869	(000000-002472	) Bracket, Latch, Cover	2
13	1032896	(000000-002472	) Plate, Hook, Latch, [M20]	2
14	09744	(000000-002472	) Screw, Hex, M6 X 1.0 X 12, Ss	8
15	01684	(000000-002472	) Washer, Flat, 0.25, Ss	8

**Fig. 27 - Squeegee Guard Kit**

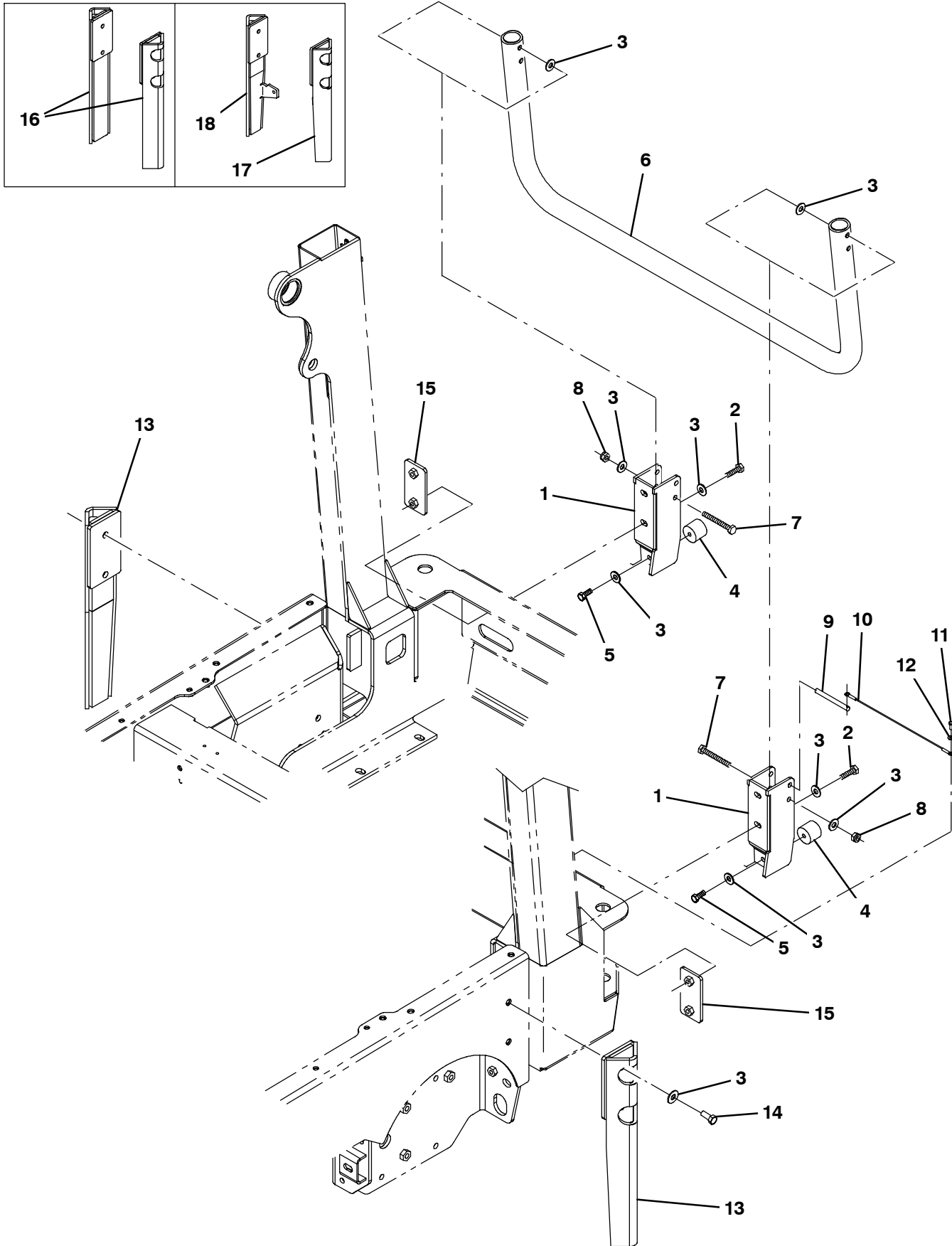
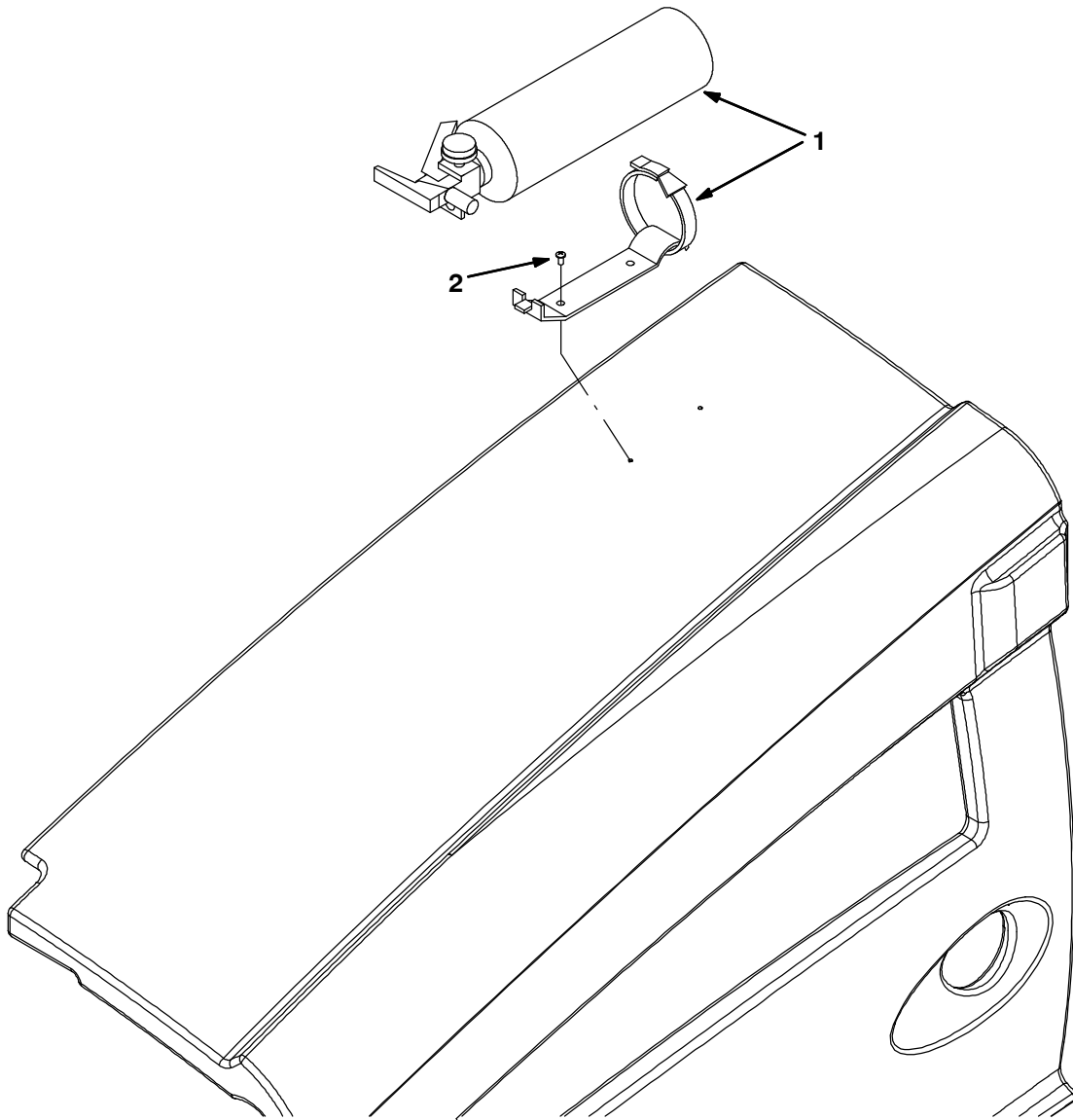


Fig. 27 - Squeegee Guard Kit

Ref.	Part No.	Serial Number	Description	Qty.
▽	9001338	(000000-	) Guard Kit, Sqge, Ci [M20]	1
▲	1 1027560	(000000-	) Bracket Wldt, Guard, Sqge	2
▲	2 39284	(000000-	) Screw, Hex, M10 X 1.5 X 35, 8.8	4
▲	3 32492	(000000-	) Washer, Flat, 0.38 Std	14
▲	4 1024977	(000000-	) Bumper, Ure, 1.50d 1.25l	2
▲	5 21196	(000000-	) Screw, Hex, .38-16 X 0.88, 5	2
▲	6 1026746	(000000-	) Guard Wldt, Sqge, Rear, Pntd	1
▲	7 06965	(000000-	) Screw, Hex, M10 X 1.5 X 80, 8.8	2
▲	8 41430	(000000-	) Nut, Hex, Lock, M10 X 1.5, NI	2
▲	9 369359	(000000-	) Pin, Hitch, .375d X 3.12l, PI	1
▲	10 57702	(000000-	) Cable, Glv .06d 012.0l .26eye /.26eye	1
▲	11 55845	(000000-	) Screw, Hex, M5 X 0.8 X 16, Fmg	1
▲	12 01683	(000000-	) Washer, Flat, #10, Ss	1
▲	13 1045444	( xxxxxx-	) Guard Wldt, Sqge [M20/T20/M30]	2
▲	14 06962	(000000-	) Screw, Hex, M10 X 1.5 X 45, 8.8	4
▲	15 1029543	(000000-	) Plate, Mtg	2
	16 1025663	(000000-002435	) Guard Wldt, Sqge	2
	17 1040863	(002436-xxxxxx	) Guard Wldt, Sqge [M20/T20 Lh, M30 Rh]	1
	18 1040871	(002436-xxxxxx	) Guard Wldt, Sqge [M20/T20 Rh, M30 Lh]	1

**Fig. 28 - Fire Extinguisher Kit**



354484

Ref.	Part No.	Serial Number	Description	Qty.
	9001316	(000000-	) Extinguisher Kit, Fire, Ci [M20 And T20]	1
1	25312	(000000-	) Extinguisher, Fire, 2.5 Lb Dry	1
2	382320	(000000-	) Screw, Pan, #12-16 X 0.50, F/ Plstc	2



**Fig. 29 - Documentation Group**

<b>Ref.</b>	<b>Part No.</b>	<b>Serial Number</b>	<b>Description</b>	<b>Qty.</b>
	331410	(000000-	) Manual, Oprtr [M20 Dsl En]	1
	1032578	(000000-	) Instr, Maint, Wall Chart [M20]	1
	331411	(000000-	) Manual, Parts [M20 Dsl En/Jp]	1
	331412	(000000-	) Manual, Oprtr [M20 Dsl Es]	1
	331413	(000000-	) Manual, Oprtr [M20 Dsl Fr]	1
	331385	(000000-	) Manual, Service [M20 En]	1
	1027759	(000000-	) Video, Oprtr, Dvd [W/Checklist M20]	1
	84660	(000000-	) Manual, Eng [Kubo, V1505e]	1



# **SECTION 4**

<b>Contents</b>	<b>Page</b>
Fig. 1 - Extended Scrub Pump Breakdown, 1021210 .....	4-2
Fig. 2 - Hydraulic Motor Breakdown, 379609 ...	4-4
Fig. 3 - Hydraulic Pump Breakdown, 1024251 .	4-6
Fig. 4 - Hydraulic Motor Breakdown, 71729 ....	4-8
Fig. 5 - Hydraulic Motor Breakdown, 1029379 .	4-9
Fig. 6 - Hydraulic Motor Breakdown, 53485 ...	4-10
Fig. 7 - Hydraulic Valve Breakdown, 1018936 .	4-11
Fig. 8 - Hydraulic Valve Breakdown, 1018938 .	4-12
Fig. 9 - Hydraulic Valve Breakdown, 1037805 .	4-14
Fig. 10 - Hydraulic Valve Breakdown, 1020394 .	4-16
Fig. 11 - Hydraulic Valve Breakdown, 1038566 .	4-18
Fig. 12 - Hydraulic Steering Valve Breakdown, 1024260 .....	4-20
Fig. 13 - Metering Solution Pump Breakdown, 73260 .....	4-22
Fig. 14 - Water Pump Breakdown, 1026743 ...	4-23
Fig. 15 - FaST Injector Assembly Breakdown, 9004515 .....	4-24

**Fig. 1 - Extended Scrub Pump Breakdown, 1021210**

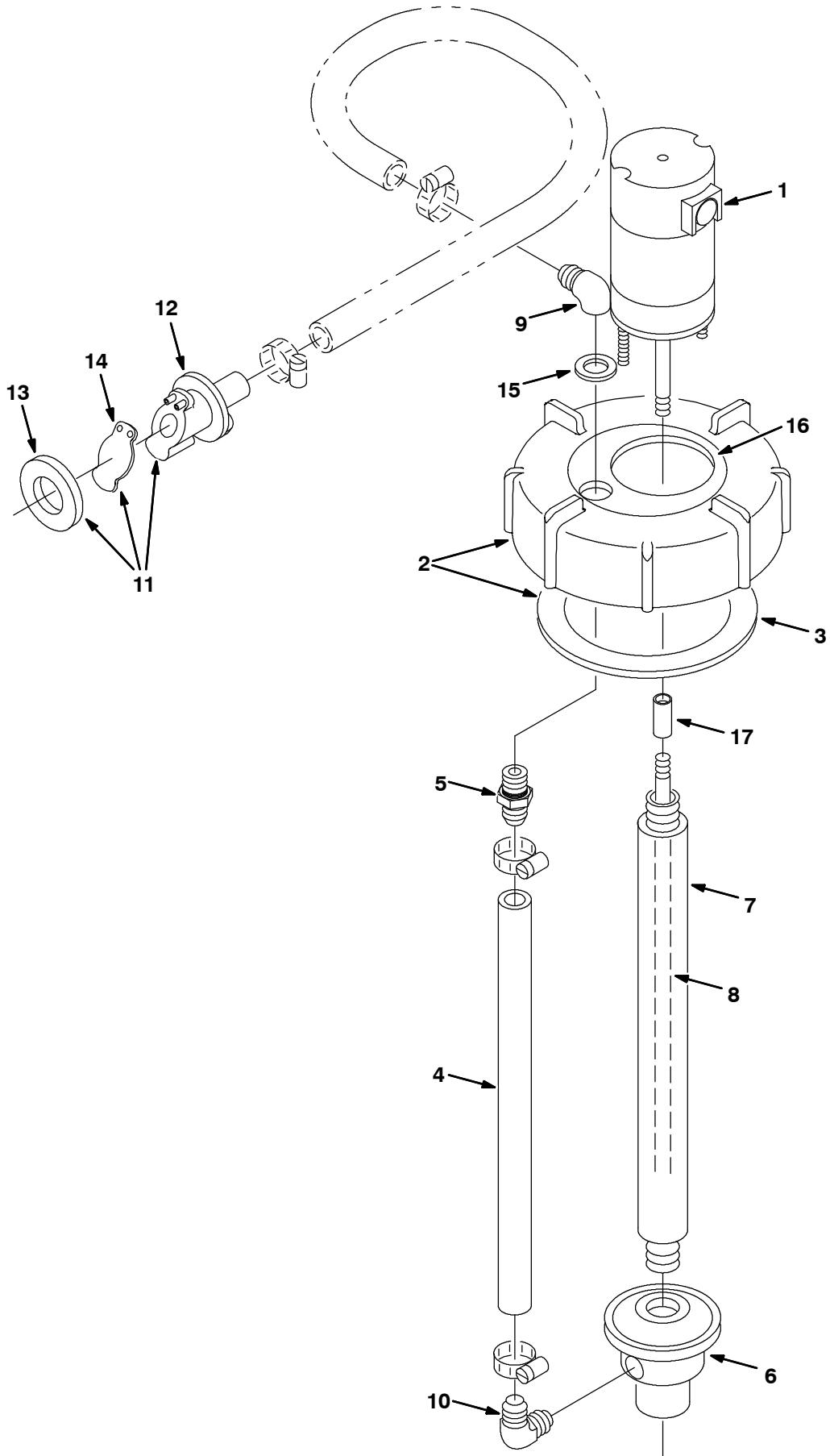


Fig. 1 - Extended Scrub Pump Breakdown, 1021210

	Ref.	Part No.	Serial Number	Description	Qty.
▽		1021210	(000000-	) Pump Assy, Column, Es	1
▲▽	1	9002708	(000000-	) Motor, Ele, 12vdc, Pump, Water	1
▲▲		78829	(000000-	) Kit, Brush, Motor, Ele	1
▲▽	2	24358	(000000-	) Cap Assy, Tank, Drain	1
▲▲	3	1031699	(000000-	) Gasket, 4.05id 5.29od .19 [Buna]	1
▲	4	78833	(000000-	) Tube, Vinyl, Pump, Water	1
▲	5	78398	(000000-	) Fitting, Plstc, Str, Bm12/Pm08, Nyl	1
▲	6	78843	(000000-	) Housing Kit, Pump, Water	1
▲	7	78836	(000000-	) Column, Pump, Water	1
▲	8	9002709	(000000-	) Shaft, Pump, Water	1
▲	9	78838	(000000-	) Fitting, E, Gr	1
▲	10	78839	(000000-	) Fitting, Plstc, E90, Pf Bm [Es Pump]	1
▲▽	11	78842	(000000-	) Kit, Valve, Check, Pump, Water	1
▲▲	12	78840	(000000-	) Valve, Check, Pump, Water	1
▲▲	13	73342	(000000-	) Gasket, .25 1.88d 1.0id [Poron]	1
▲▲	14	78841	(000000-	) Flapper, Valve, Pump, Water	1
▲	15	78830	(000000-	) Washer, Rbr	1
▲	16	22790	(000000-	) Insert, Cap, Mount, Es Pump	1
▲	17	23285	(000000-	) Sleeve, Pump, Water	1

**Fig. 2 - Hydraulic Motor Breakdown, 379609**

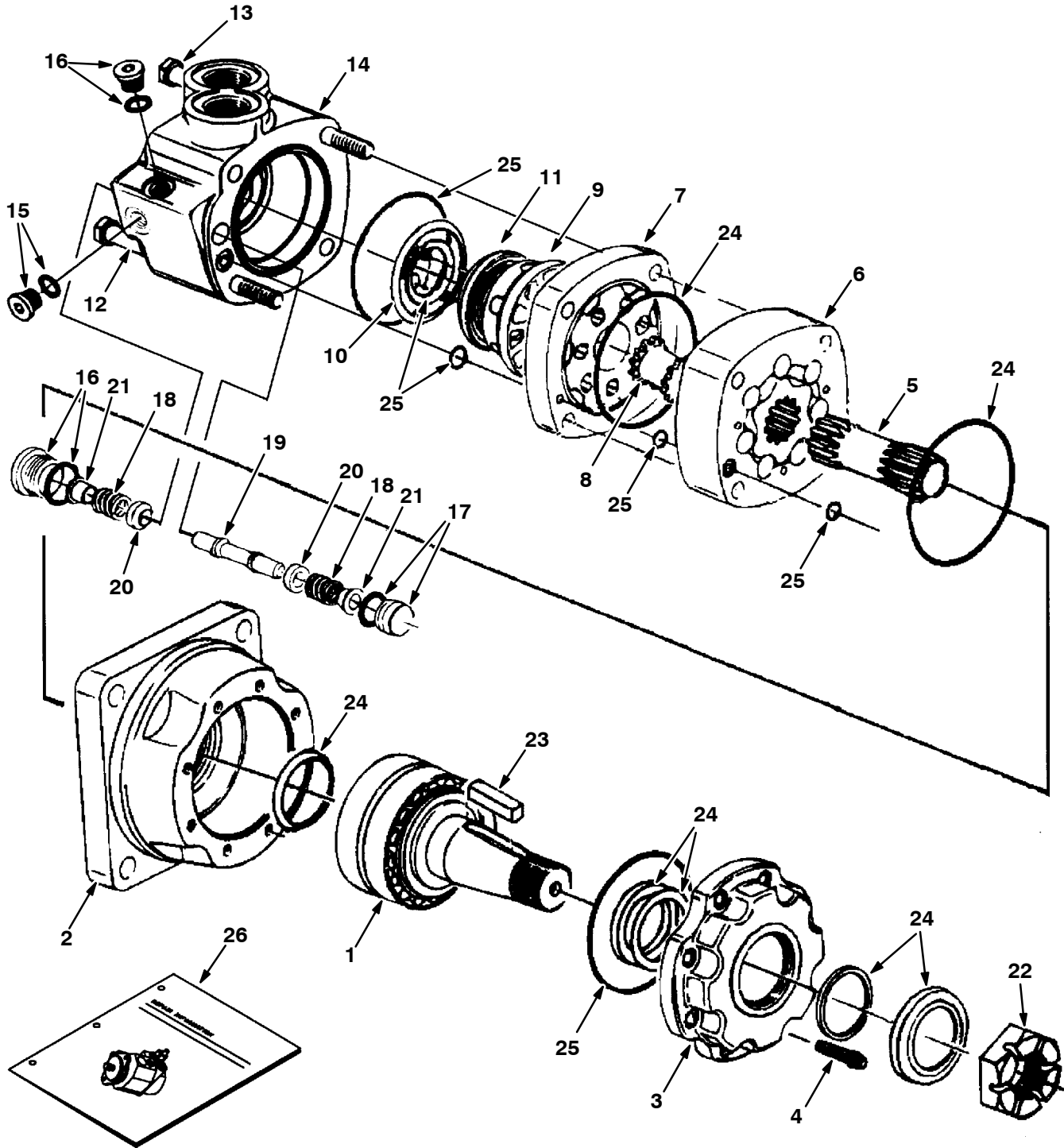


Fig. 2 - Hydraulic Motor Breakdown, 379609

Ref.	Part No.	Serial Number	Description	Qty.
▽	379609	(000000-	) Motor, Hyd, Gear, [Int], 19.0 X 3000	1
▲	1 74165	(000000-	) Shaft, Motor, Hyd	1
▲	2 74166	(000000-	) Housing, Brg, Motor, Hyd	1
▲	3 74167	(000000-	) Retainer, Motor, Hyd	1
▲	4 74168	(000000-	) Screw, Cap, Motor, Hyd	8
▲	5 37616	(000000-	) Drive, Motor, Hyd	1
▲	6 37756	(000000-	) Geroler, Motor, Hyd	1
▲	7 74122	(000000-	) Plate, Valve, Motor, Hyd	1
▲	8 52405	(000000-	) Valve, Motor, Hyd	1
▲	9 74123	(000000-	) Valve, Motor, Hyd	1
▲	10 34178	(000000-	) Spring, Motor, Hyd	2
▲	11 38968	(000000-	) Ring, Motor, Hyd	1
▲	12 74125	(000000-	) Bolt, Motor, Hyd	3
▲	13 38255	(000000-	) Bolt, Motor, Hyd	1
▲	14 373297	(000000-	) Housing, Valve	1
▲	15 373298	(000000-	) Plug	1
▲	16 373260	(000000-	) Plug, Pump, Hyd, Gear	2
▲	17 373299	(000000-	) Plug	1
▲	18 373291	(000000-	) Spring	2
▲	19 373217	(000000-	) Piston, Pump, Hyd, Gear	1
▲	20 373226	(000000-	) Poppet, Pump, Hyd, Gear	2
▲	21 373236	(000000-	) Sleeve, Dashpo, Pump, Hyd, Gear	2
▲	22 45622	(000000-	) Nut, Motor, Hyd	1
▲	23 45623	(000000-	) Key, Motor, Hyd	1
▲	24 79828	(000000-	) Kit, Seal, Motor, Hyd	1
▲	25 33580	(000000-	) Kit, Seal, Motor, Hyd	1
	26 79729	(000000-	) Instr, Repair, Motor, Hyd, Gear	1

**Fig. 3 - Hydraulic Pump Breakdown, 1024251**

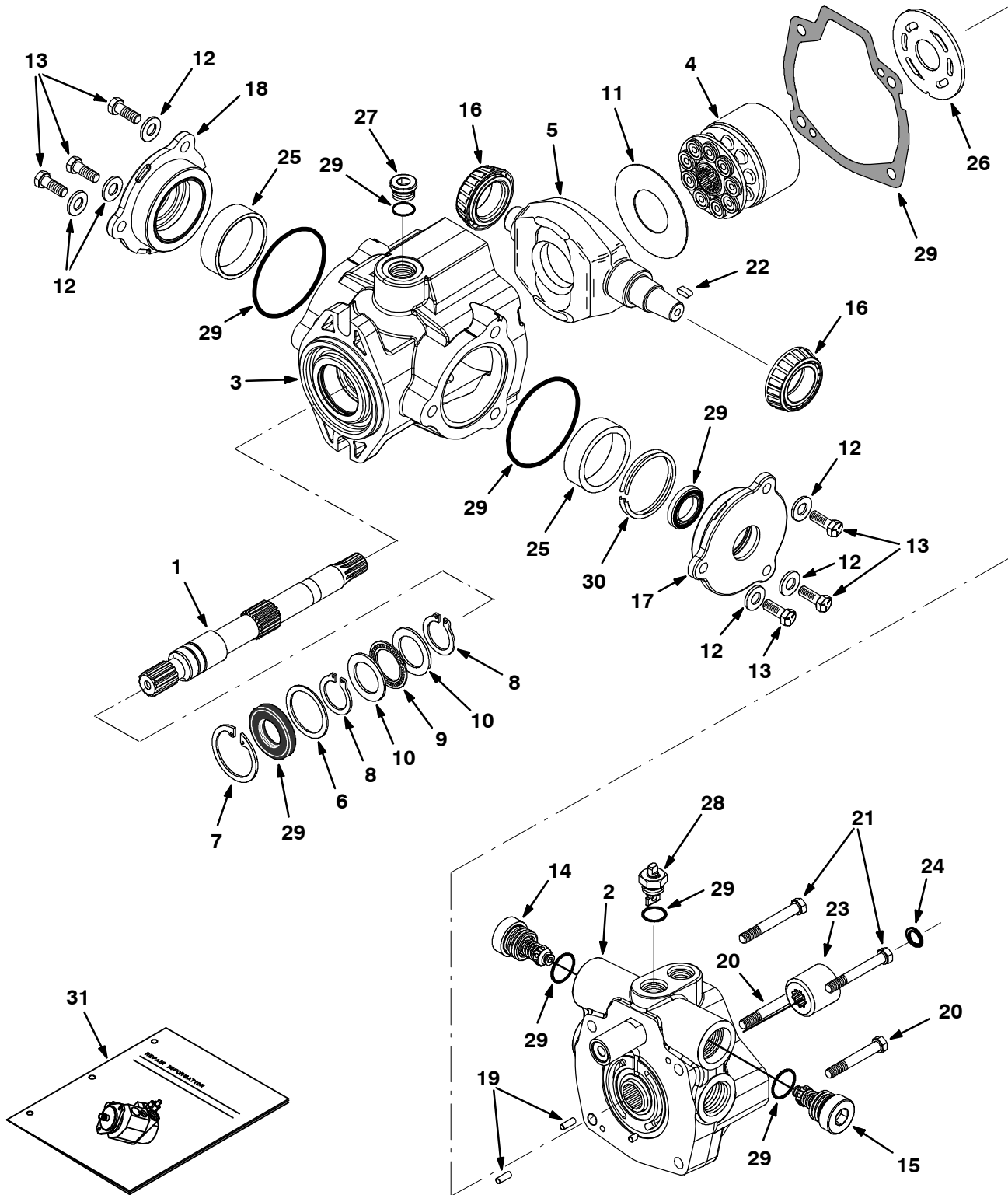
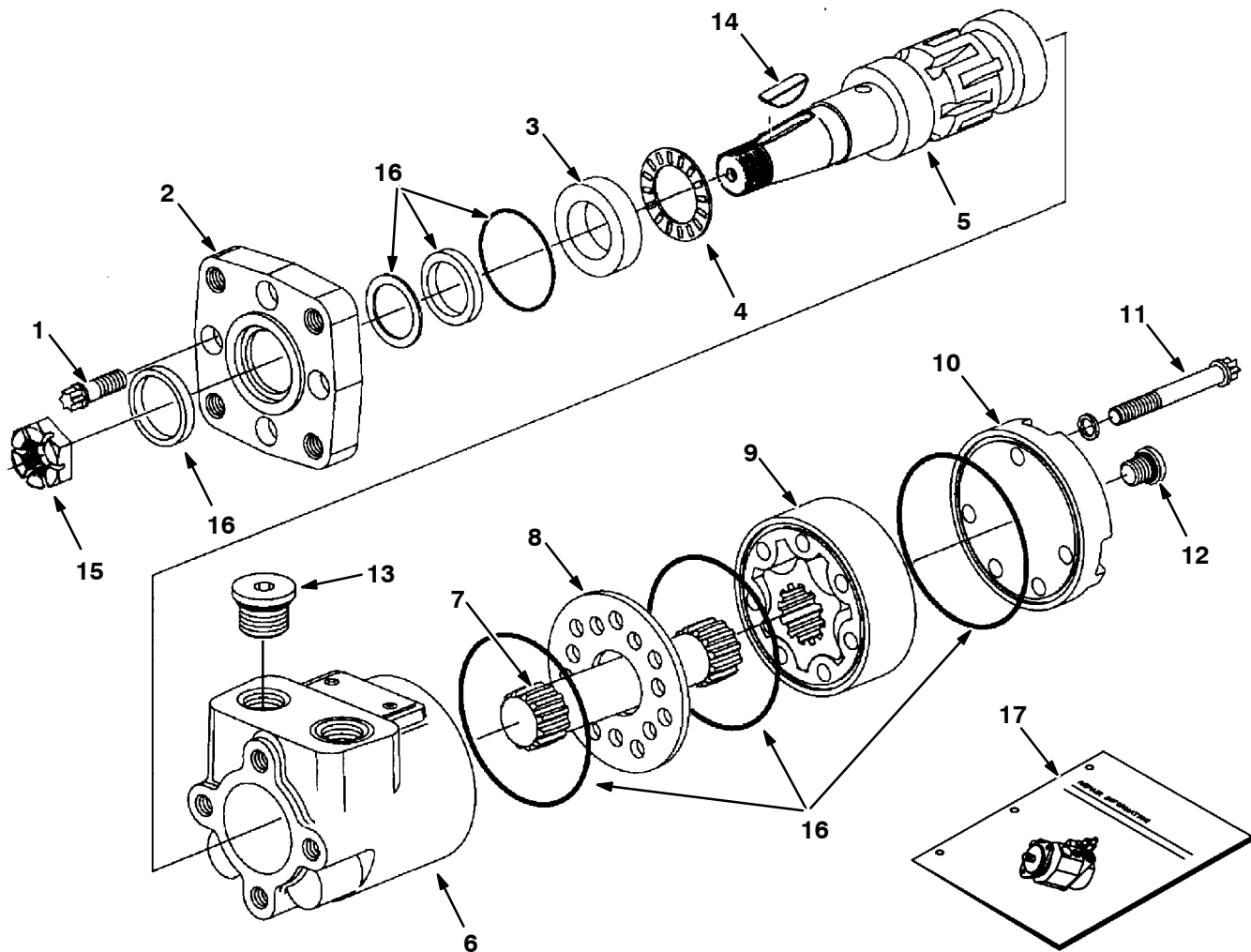




Fig. 3 - Hydraulic Pump Breakdown, 1024251

Ref.	Part No.	Serial Number	Description	Qty.	
▽	1024251	(000000-	) Pump, Hyd, Piston, Var, 1.24 4000, Cw	1	
▲	1	373681	(000000-	) Shaft, Pump	1
▲	2	373427	(000000-	) Cover, End	1
▲	3	373389	(000000-	) Housing	1
▲	4	02706	(000000-	) Pump Kit, Hyd, Rotating [Cessna]	1
▲	5	373493	(000000-	) Plate, Cam	1
▲	6	70096	(000000-	) Washer, Flat, Pump, Hyd	1
▲	7	55926	(000000-	) Ring, Retaining, Pump, Hyd	1
▲	8	373434	(000000-	) Ring, Retaining	2
▲	9	74225	(000000-	) Bearing, Thrust, Pump, Hyd	1
▲	10	74226	(000000-	) Race, Brg, Pump, Hyd	2
▲	11	373327	(000000-	) Insert, Plt, Cam, Pump, Hyd	1
▲	12	373391	(000000-	) Washer, Pump, Hyd [En]	6
▲	13	373346	(000000-	) Screw, Cap	6
▲	14	373494	(000000-	) Valve, Relief, 4000 Psi	1
▲	15	373678	(000000-	) Valve, Relief, 3000 Psi	1
▲	16	373317	(000000-	) Bearing, Cone, Pump, Hyd	2
▲	17	373393	(000000-	) Plate, Cover	1
▲	18	373394	(000000-	) Plate, Cover	1
▲	19	70100	(000000-	) Pin, Dowel, Pump, Hyd	2
▲	20	373347	(000000-	) Screw, Cap	2
▲	21	373348	(000000-	) Screw, Cap	2
▲	22	74237	(000000-	) Key, Shaft, Pump, Hyd	1
▲	23	373679	(000000-	) Coupler, Pump	1
▲	24	373680	(000000-	) Ring, Lock	1
▲	25	373395	(000000-	) Bearing, Cup	2
▲	26	74180	(000000-	) Plate, Valve, Pump, Hyd	1
▲	27	13907	(000000-	) Fitting, Hyd, Plug, Om08	1
▲	28	373413	(000000-	) Actuator, Valve, By-Pass [En]	1
▲	29	373398	(000000-	) Seal Kit, Pump, Hyd	1
▲	30	373402	(000000-	) Shim Kit	1
	31	373429	(000000-	) Instr, Repair, Pump	1

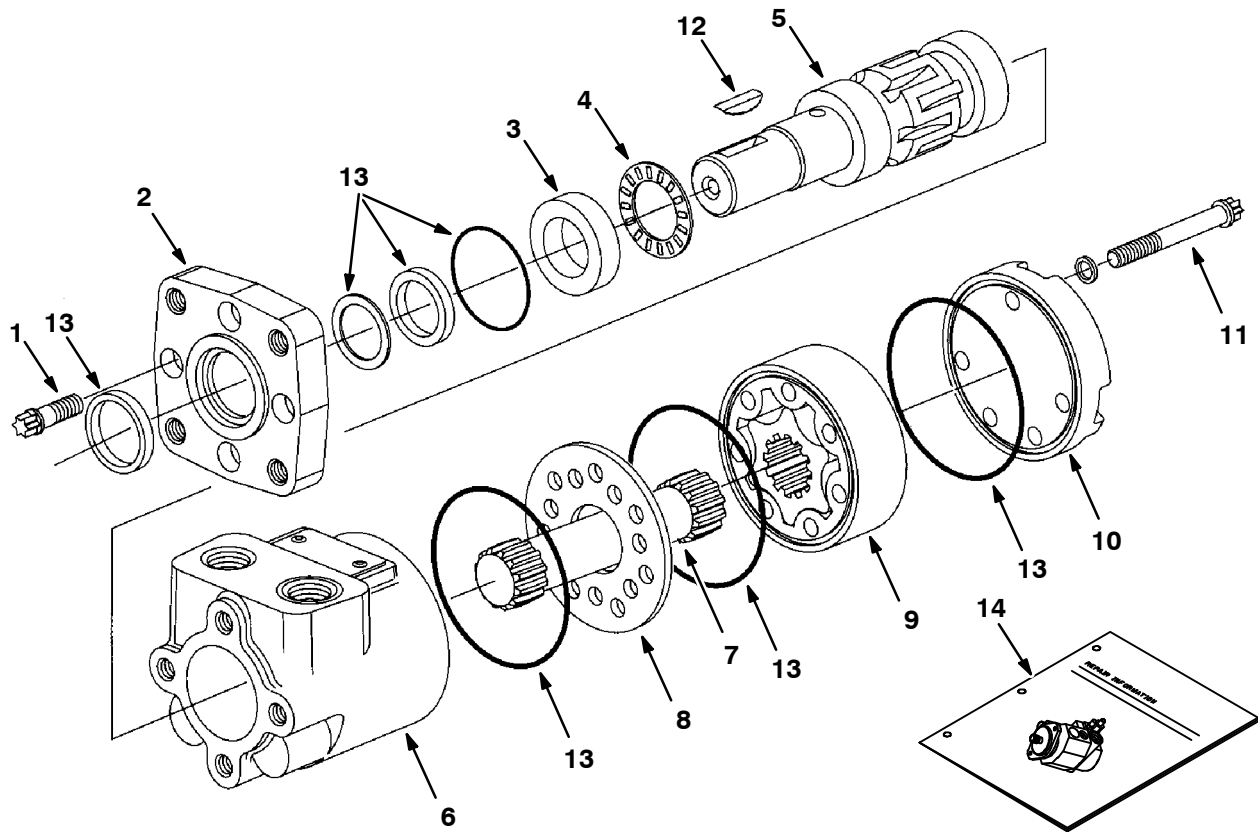
**Fig. 4 - Hydraulic Motor Breakdown, 71729**



09606-09670 - ALL

Ref.	Tennant Part No.	Manufacturer Serial Number	Description	Qty.
▽	71729	(000000- )	Motor, Hyd Gear In 4.5 B 1500	1
▲	1	37555	(000000- ) Screw	4
▲	2	31354	(000000- ) Flange Mounting	1
▲	3	16695	(000000- ) Race Thrust	1
▲	4	45628	(000000- ) Thrust Bearing	1
▲	5	31375	(000000- ) Shaft, Output	1
▲	6	74100	(000000- ) Housingl	1
▲	7	31379	(000000- ) Drive	1
▲	8	74094	(000000- ) Spacer Plate	1
▲	9	31383	(000000- ) Gerotor Set	1
▲	10	74095	(000000- ) End Cap	1
▲	11	65241	(000000- ) Cap Screw	5
▲	12	74098	(000000- ) Plug #4	1
▲	13	74099	(000000- ) Plug #10	2
▲	14	00500-15	(000000- ) Key-Wdruff 0.25 1.00	1
▲	15	39527	(000000- ) Nut-Hxslot .75-16 Pltd	1
▲	16	61490	(000000- ) Seal Replmt Kit	1
▲	17	74250	(000000- ) Instr. Repair Info, Motor	1

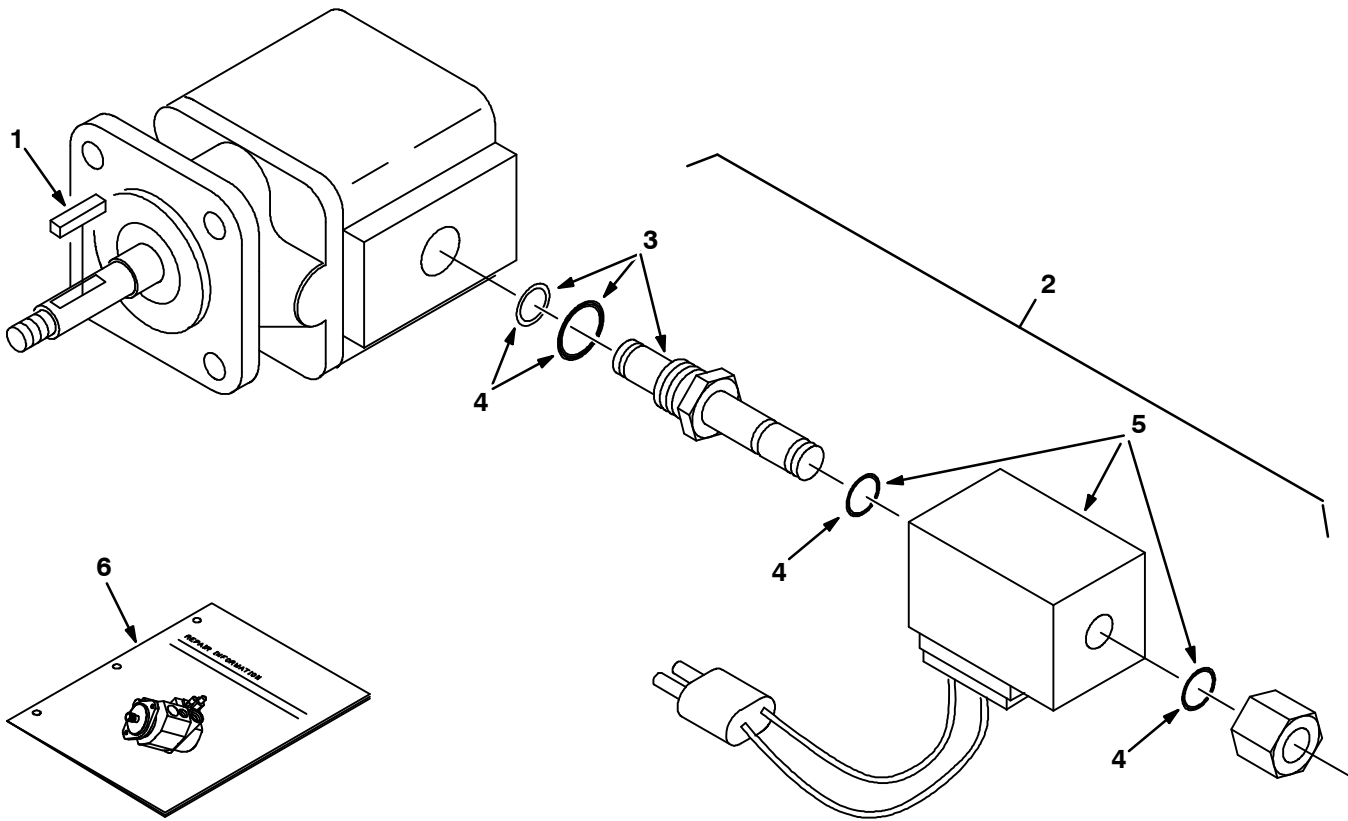
Fig. 5 - Hydraulic Motor Breakdown, 1029379



10859-09670 - ALL

Ref.	Part No.	Serial Number	Description	Qty.	
▽	1029379	(000000-	) Motor, Hyd, Gear, Int 08.9 Bi-Dir 2500	1	
▲	1	37555	(000000-	) Screw, Motor, Hyd [En]	4
▲	2	31354	(000000-	) Flange, Motor, Hyd [En]	1
▲	3	16695	(000000-	) Ace, Thrust, Motor, Hyd [En]	1
▲	4	45628	(000000-	) Bearing, Thrust	1
▲	5	28854	(000000-	) Shaft, Output, Motor, Hyd [En]	1
▲	6	74100	(000000-	) Housing, Motor, Hyd [En]	1
▲	7	21955	(000000-	) Drive [CI]	1
▲	8	74094	(000000-	) Plate, Spacer, Motor, Hyd [En]	1
▲	9	21956	(000000-	) Gerotor Set [CI]	1
▲	10	65230	(000000-	) End Cap, Motor, Hyd [En]	1
▲	11	21958	(000000-	) Cap Screw CI	5
▲	12	00500-15	(000000-	) Key, Woodruff, 0.25 1.00 [Asa#0808]	1
▲	13	61490	(000000-	) Seal Kit, Motor [CI]	1
▲	14	74250	(000000-	) Instr, Motor, Hyd, Repair [En]	1

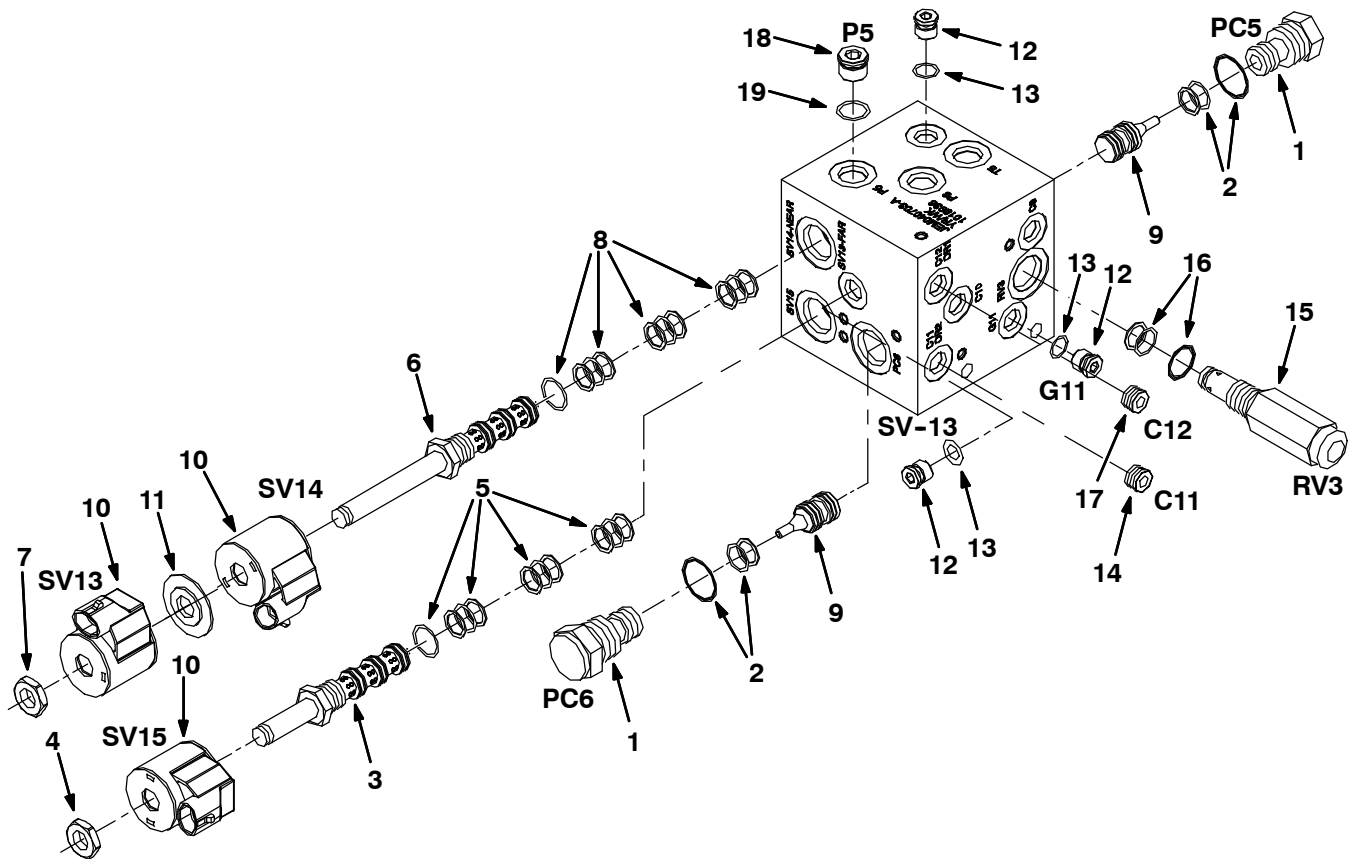
**Fig. 6 - Hydraulic Motor Breakdown, 53485**



07490 - 09670

Ref.	Part No.	Serial Number	Description	Qty.
▽	53485	(000000-	) Motor, Hyd, Gear, Ext 0.19 Rh 3000	1
▲	74233	(000000-	) Kit, Seal, Motor, Hyd, Gear[Barns]	1
▲	1 00966	(000000-	) Key, Sq, 0.12 X 0.12, 0.75l	1
▲▽	2 54095	(000000-	) Valve, Hyd Cartridge 10no/-0	1
▲▲	3 59378	(000000-	) Valve Stem, N.O.Valve, Hyd	1
▲▲	4 48813	(000000-	) Kit, Seal, Valve, Hyd [Cec]	1
▲▲	5 35493	(000000-	) Solenoid, 12v, Valve, Hyd [Cec]	1
	6 IB3614	(000000-	) Instr, Seal Kit, Motor	1

Fig. 7 - Hydraulic Valve Breakdown, 1018936



ALL

Ref.	Part No.	Serial Number	Description	Qty.	
▽	1018936	(000000-	) Valve, Cntrl, Hyd [M20]	1	
▲▽	1	373656	(000000-	) Valve, Check	2
▲▲	2	373647	(000000-	) Seal Kit, Cartridge	1
▲▽	3	373657	(000000-	) Stem, Valve, Hyd, 4w2p	1
▲▲	4	373648	(000000-	) Nut, Coil, F/#8	1
▲▲	5	373647	(000000-	) Seal Kit, Cartridge	1
▲▽	6	373637	(000000-	) Valve, Cntrl, Solenoid	1
▲▲	7	373648	(000000-	) Nut, Coil, F/#8	1
▲▲	8	373647	(000000-	) Seal Kit, Cartridge	1
▲	9	373658	(000000-	) Spool, Pilot, Hyd	2
▲	10	373640	(000000-	) Solenoid, #8, 12vdc	3
▲	11	373639	(000000-	) Spacer, Coil, #8	1
▲▽	12	74098	(000000-	) Fitting, Hyd, Plug, Om04	3
▲▲	13	77003	(000000-	) Seal, Org, .072 X 00.35id #04	1
▲	14	373633	(000000-	) Vr, Plug, Orifice, Valve, Hyd, .040	1
▲▽	15	373659	(000000-	) Valve, Hyd, Relief	1
▲▲	16	373647	(000000-	) Seal Kit, Cartridge	1
▲	17	373660	(000000-	) Plug, Orifice, Valve, Hyd, .030	1
▲▽	18	13904	(000000-	) Fitting, Plug, Org, #6, Valve [Cec]	1
▲▲	19	77005	(000000-	) Seal, Org, .078 X 00.47id #06	1

**Fig. 8 - Hydraulic Valve Breakdown, 1018938**

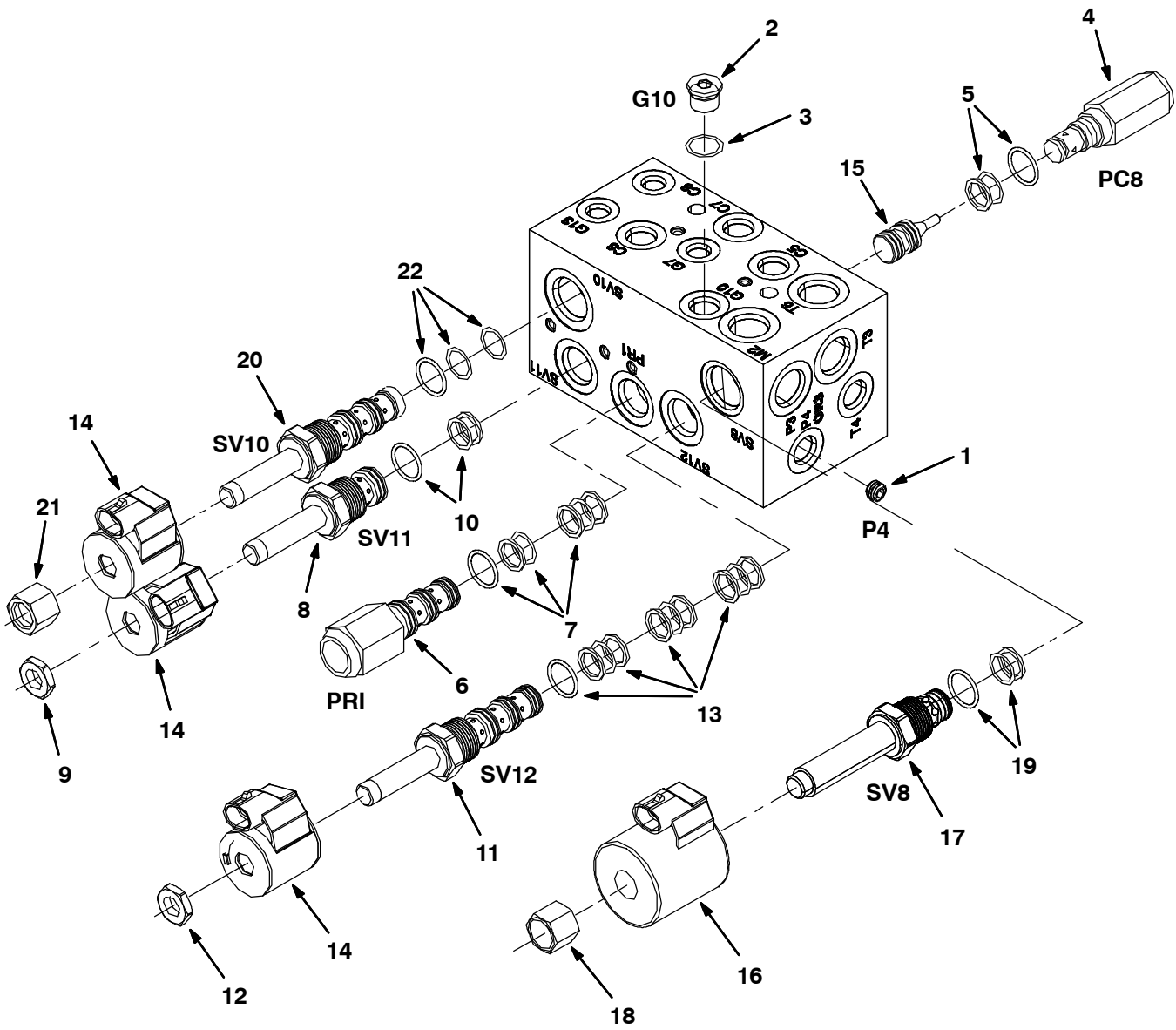


Fig. 8 - Hydraulic Valve Breakdown, 1018938

	Ref.	Part No.	Serial Number	Description	Qty.
▽		1018938	(000000-	) Valve, Cntrl, Hyd [M20 And T20]	1
▲	1	373633	(000000-	) Plug, Orifice, Valve, Hyd, .040	1
▲▽	2	13904	(000000-	) Fitting, Plug, Org, #6, Valve [Cec]	1
▲▲	3	77005	(000000-	) Seal, Org, .078 X 00.47id #06	1
▲▽	4	373656	(000000-	) Valve, Check	1
▲▲	5	373647	(000000-	) Seal Kit, Cartridge	1
▲▽	6	373661	(000000-	) Valve, Relief	1
▲▲	7	373647	(000000-	) Seal Kit, Cartridge	1
▲▽	8	373662	(000000-	) Stem, Valve, Hyd	1
▲▲	9	373648	(000000-	) Nut, Coil, F/#8	1
▲▲	10	373647	(000000-	) Seal Kit, Cartridge	1
▲▽	11	373657	(000000-	) Stem, Valve, Hyd, 4w2p	1
▲▲	12	373648	(000000-	) Nut, Coil, F/#8	1
▲▲	13	373647	(000000-	) Seal Kit, Cartridge	1
▲	14	373640	(000000-	) Solenoid, #8, 12vdc	3
▲	15	373658	(000000-	) Spool, Pilot, Hyd	1
▲	16	373642	(000000-	) Solenoid, #10, 12vdc	1
▲▽	17	373663	(000000-	) Valve, Stem, No	1
▲▲	18	373670	(000000-	) Nut, Solenoid	1
▲▲	19	373646	(000000-	) Seal Kit, Cartridge	1
▲▽	20	373664	(000000-	) Cartridge, Psi Cntrl, Valve, Hyd	1
▲▲	21	373673	(000000-	) Nut, Solenoid	1
▲▲	22	373672	(000000-	) Seal Kit, Cartridge	1

**Fig. 9 - Hydraulic Valve Breakdown, 1037805**

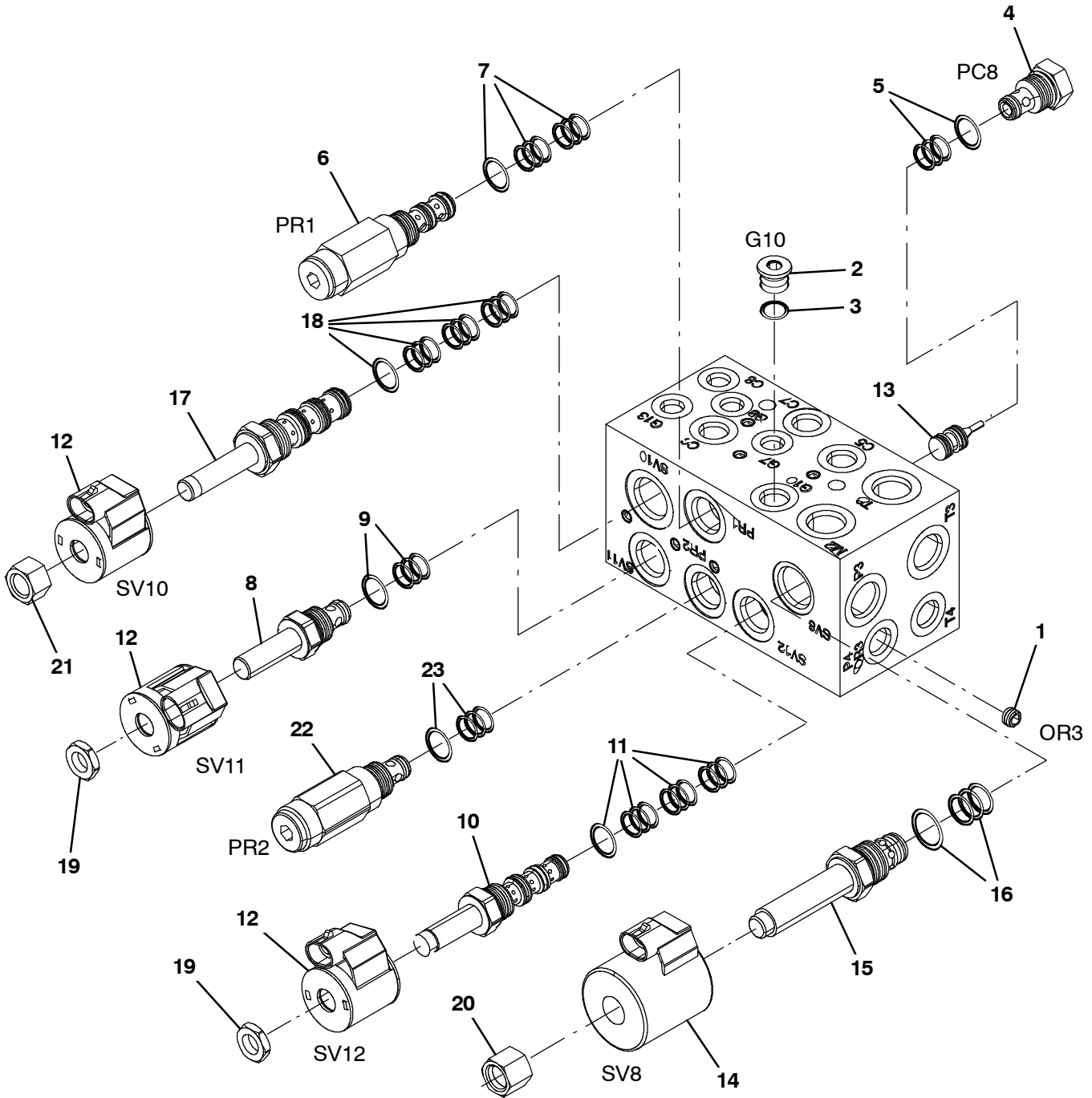




Fig. 9 - Hydraulic Valve Breakdown, 1037805

	Ref.	Part No.	Serial Number	Description	Qty.
▽		1037805	(000000-	) Valve, Cntrl, Hyd, Solenoid, 03/16gpm	1
▲	1	373633	(000000-	) Plug, Orifice, Valve, Hyd, .040	1
▲▽	2	13904	(000000-	) Fitting, Plug, Org, #6, Valve [Cec]	1
▲▲	3	77005	(000000-	) Seal, Org, .078 X 00.47id 06	1
▲▽	4	373656	(000000-	) Valve, Check	1
▲▲	5	373647	(000000-	) Seal Kit, Cartridge	1
▲▽	6	373683	(000000-	) Valve, Relief	1
▲▲	7	373647	(000000-	) Seal Kit, Cartridge	1
▲▽	8	373662	(000000-	) Stem, Valve, Hyd	1
▲▲	9	373647	(000000-	) Seal Kit, Cartridge	1
▲▽	10	373657	(000000-	) Stem, Valve, Hyd [4w2p]	1
▲▲	11	373647	(000000-	) Seal Kit, Cartridge	1
▲	12	373640	(000000-	) Solenoid, #8, 12vdc	1
▲	13	373658	(000000-	) Spool, Pilot, Hyd	1
▲	14	373642	(000000-	) Solenoid, #10, 12vdc	3
▲▽	15	373663	(000000-	) Valve, Stem, No	1
▲▲	16	373646	(000000-	) Seal Kit, Cartridge	1
▲▽	17	373664	(000000-	) Cartridge, Psi Cntrl, Valve, Hyd	1
▲▲	18	373672	(000000-	) Seal Kit, Cartridge	1
▲	19	373684	(000000-	) Nut, Coil, Nyl Patch	1
▲	20	373685	(000000-	) Nut, Coil, Nyl Patch	1
▲	21	373686	(000000-	) Nut, Coil, Nyl Patch	1
▲▽	22	1047625	(000000-	) Valve, Relief	1
▲▲	23	373647	(000000-	) Seal Kit, Cartridge	1

**Fig. 10 - Hydraulic Valve Breakdown, 1020394**

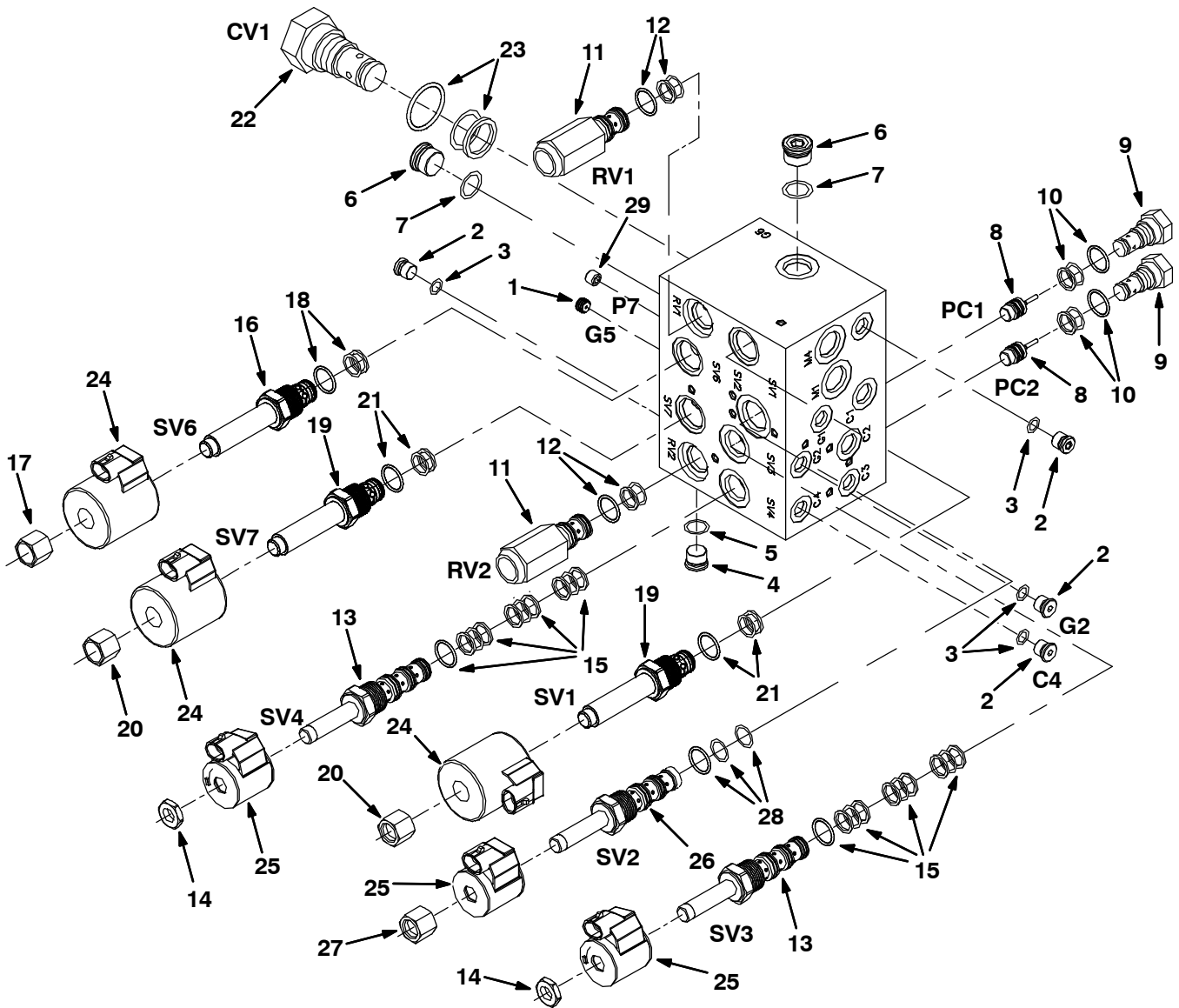


Fig. 10 - Hydraulic Valve Breakdown, 1020394

	Ref.	Part No.	Serial Number	Description	Qty.
▽		1020394	(000000-	) Valve, Cntrl, Hyd	1
▲	1	373665	(000000-	) Plug, Orifice, Valve, Hyd, .046	1
▲▽	2	74098	(000000-	) Fitting, Hyd, Plug, Om04	4
▲▲	3	77003	(000000-	) Seal, Org, .072 X 00.35id #04	1
▲▽	4	13904	(000000-	) Fitting, Plug, Org, #6, Valve [Cec]	1
▲▲	5	77005	(000000-	) Seal, Org, .078 X 00.47id #06	1
▲▽	6	13907	(000000-	) Fitting, Hyd, Plug, Om08	2
▲▲	7	77006	(000000-	) Seal, Org, .087 X 00.64id #08	2
▲	8	373658	(000000-	) Spool, Pilot, Hyd	2
▲▽	9	373631	(000000-	) Valve, Check	2
▲▲	10	373647	(000000-	) Seal Kit, Cartridge	1
▲▽	11	373666	(000000-	) Valve, Relief	2
▲▲	12	373647	(000000-	) Seal Kit, Cartridge	1
▲▽	13	373657	(000000-	) Stem, Valve, Hyd, 4w2p	2
▲▲	14	373648	(000000-	) Nut, Coil, F/#8	1
▲▲	15	373647	(000000-	) Seal Kit, Cartridge	1
▲▽	16	373667	(000000-	) Stem, Valve, Hyd	1
▲▲	17	373648	(000000-	) Nut, Coil, F/#8	1
▲▲	18	373646	(000000-	) Seal Kit, Cartridge	1
▲▽	19	373663	(000000-	) Valve, Stem, No	2
▲▲	20	373670	(000000-	) Nut, Solenoid	1
▲▲	21	373646	(000000-	) Seal Kit, Cartridge	1
▲▽	22	373668	(000000-	) Valve, Check	1
▲▲	23	373671	(000000-	) Seal Kit, Cartridge	1
▲	24	373642	(000000-	) Solenoid, #10, 12vdc	3
▲	25	373640	(000000-	) Solenoid, #8, 12vdc	3
▲▽	26	373664	(000000-	) Cartridge, Psi Cntrl, Valve, Hyd	1
▲▲	27	373673	(000000-	) Nut, Solenoid	1
▲▲	28	373672	(000000-	) Seal Kit, Cartridge	1
▲	29	373669	(000000-	) Plug, Orifice, Valve, Hyd, .063	1

**Fig. 11 - Hydraulic Valve Breakdown, 1038566**

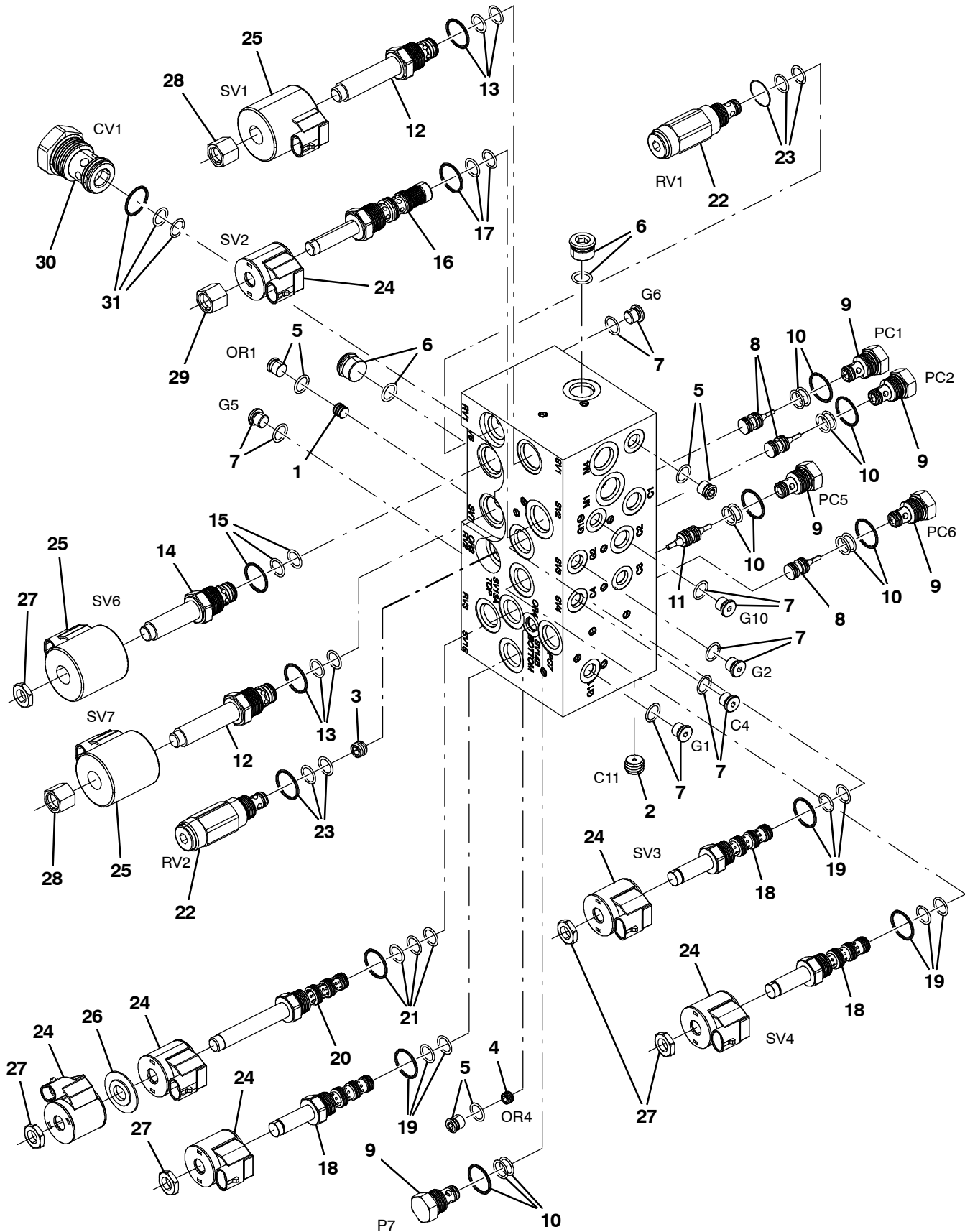


Fig. 11 - Hydraulic Valve Breakdown, 1038566

Ref.	Part No.	Serial Number	Description	Qty.
▽	1038566	(000000-	) Valve, Hyd, Solenoid, 12vdc	1
▲	1 373665	(000000-	) Plug, Orifice, Valve, Hyd, .046	1
▲	2 373633	(000000-	) Plug, Orifice, Valve, Hyd, .040	1
▲	3 9004475	(000000-	) Plug Orifice, Valve, Hyd, .140	1
▲	4 373660	(000000-	) Plug, Orifice, Valve, Hyd, .030	1
▲	5 74098	(000000-	) Fitting, Hyd, Plug, Om04	1
▲	6 13904	(000000-	) Fitting, Plug, Org, #6, Valve [Cec]	2
▲	7 74098	(000000-	) Fitting, Hyd, Plug, Om04	6
▲	8 373658	(000000-	) Spool, Pilot, Hyd	3
▲▽	9 373656	(000000-	) Valve, Check	5
▲▲	10 373647	(000000-	) Seal Kit, Cartridge	1
▲	11 373688	(000000-	) Spool, Pilot, Dual, Hyd	1
▲▽	12 373663	(000000-	) Valve, Stem, No	2
▲▲	13 373671	(000000-	) Seal Kit, Cartridge	1
▲▽	14 373667	(000000-	) Stem, Valve, Hyd	1
▲▲	15 373671	(000000-	) Seal Kit, Cartridge	1
▲▽	16 373664	(000000-	) Cartridge, Psi Cntrl, Valve, Hyd	1
▲▲	17 373672	(000000-	) Seal Kit, Cartridge	1
▲▽	18 373657	(000000-	) Stem, Valve, Hyd [4w2p]	3
▲▲	19 373647	(000000-	) Seal Kit, Cartridge	1
▲▽	20 373637	(000000-	) Valve, Cntrl, Solenoid	1
▲▲	21 373671	(000000-	) Seal Kit, Cartridge	1
▲▽	22 373666	(000000-	) Valve, Relief	2
▲▲	23 373647	(000000-	) Seal Kit, Cartridge	1
▲	24 373640	(000000-	) Solenoid, #8, 12vdc	6
▲	25 373642	(000000-	) Solenoid, #10, 12vdc	3
▲	26 373639	(000000-	) Spacer, Coil, #8	1
▲	27 373684	(000000-	) Nut, Coil, Nyl Patch	5
▲	28 373685	(000000-	) Nut, Coil, Nyl Patch	2
▲	29 373686	(000000-	) Nut, Coil, Nyl Patch	1
▲	30 373668	(000000-	) Valve, Check	1
▲	31 373671	(000000-	) Seal Kit, Cartridge	1

**Fig. 12 - Hydraulic Steering Valve Breakdown, 1024260**

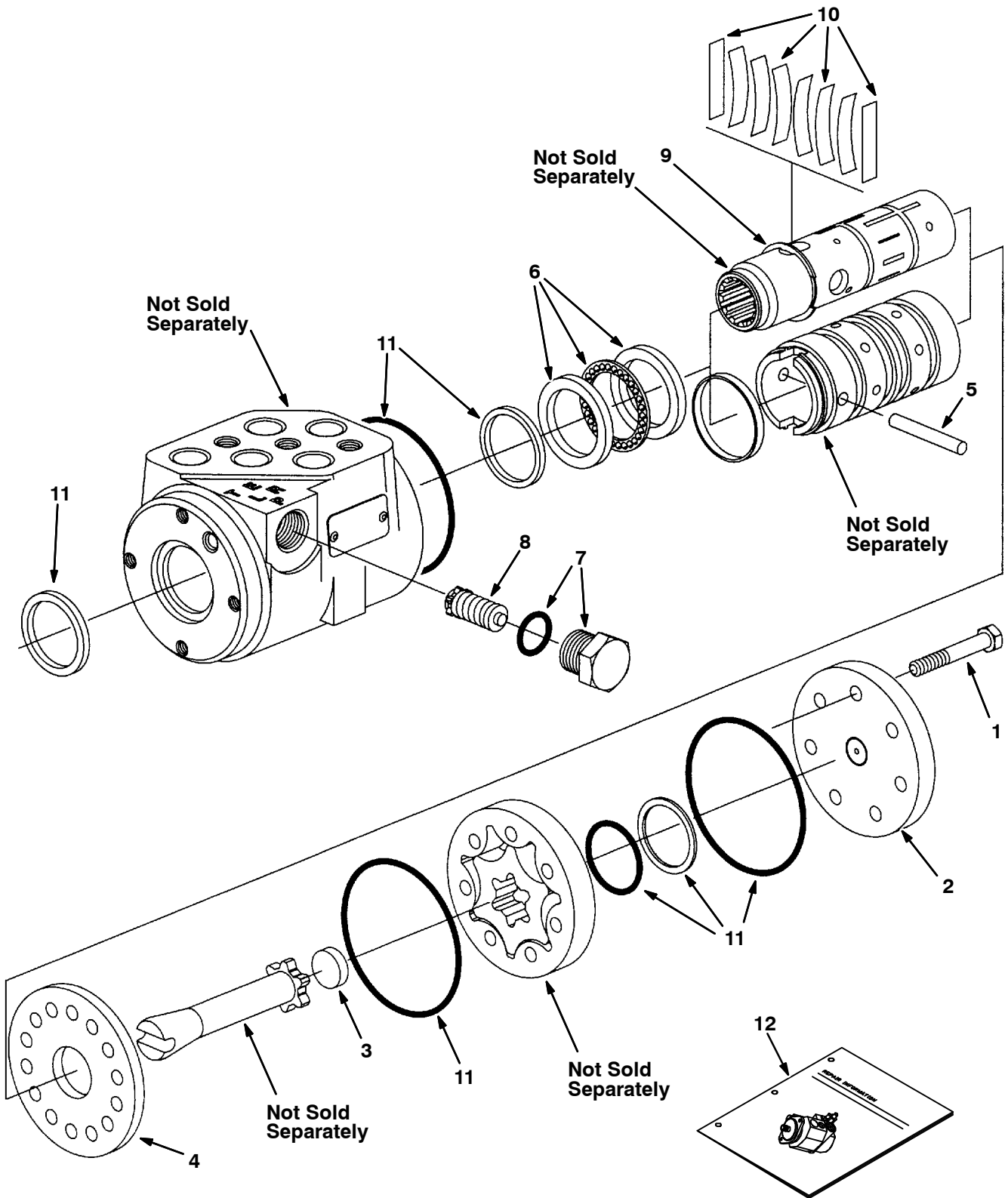
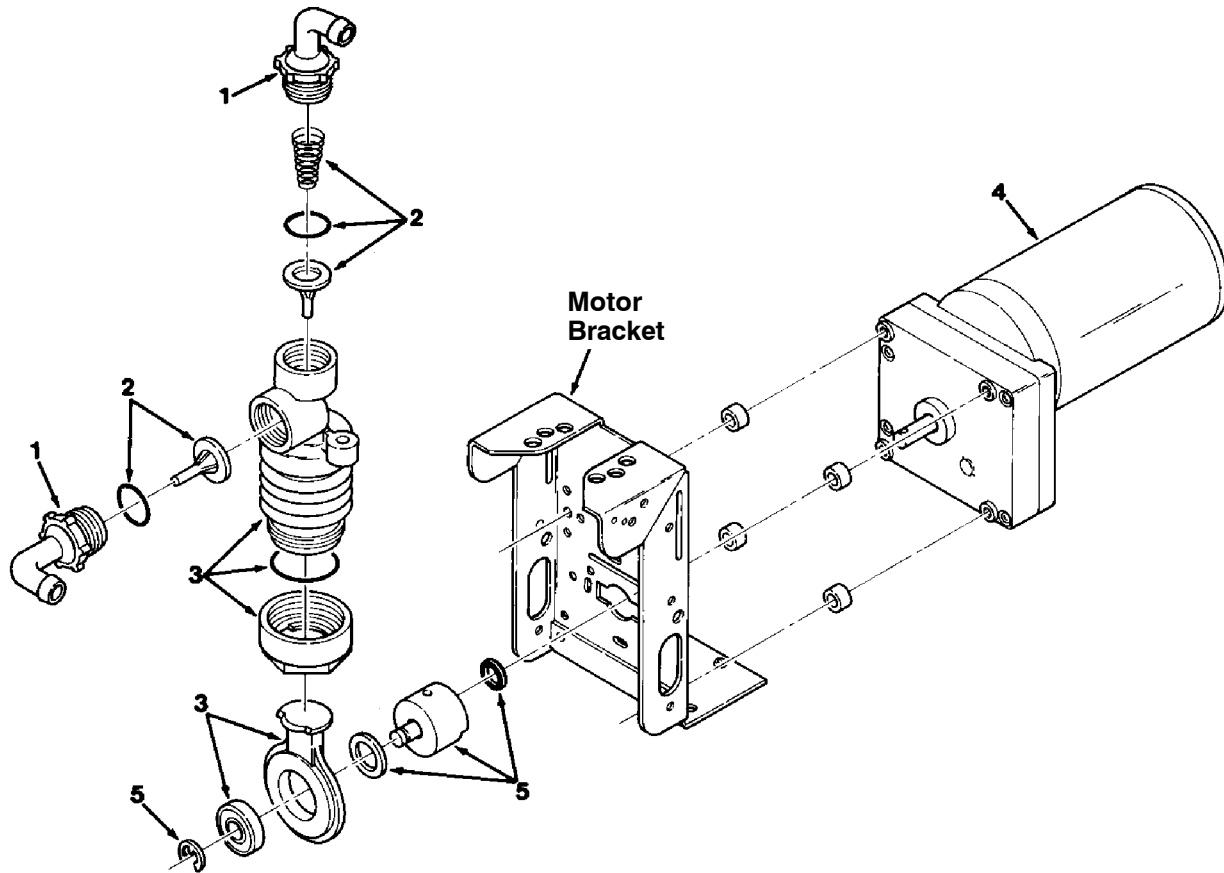


Fig. 12 - Hydraulic Steering Valve Breakdown, 1024260

	Ref.	Part No.	Serial Number	Description	Qty.
▽		1024260	(000000-	) Steer-Control, Hyd05, 06.1 2030	1
▲	1	74183	(000000-	) Screw, Valve, Steering	7
▲	2	74185	(000000-	) Cap, End, Valve, Steering	1
▲	3	74193	(000000-	) Spacer, Valve, Steering	1
▲	4	74222	(000000-	) Plate, Wear, Steering Valve	1
▲	5	74232	(000000-	) Pin, Valve, Steering	1
▲	6	21935	(000000-	) Bearing Kit [C]	1
▲	7	21933	(000000-	) Plug Assy [C]	1
▲	8	21934	(000000-	) Valve Assy, Relief [C]	1
▲	9	74243	(000000-	) Ring, Retainer, Steering Valve	1
▲	10	74196	(000000-	) Spring Kit, Scu [C]	1
▲	11	74244	(000000-	) Seal Kit, Steering [C]	1
▲	12	74245	(000000-	) Instr, Valve, Steering, Repair	1

**Fig. 13 - Metering Solution Pump Breakdown, 73260**

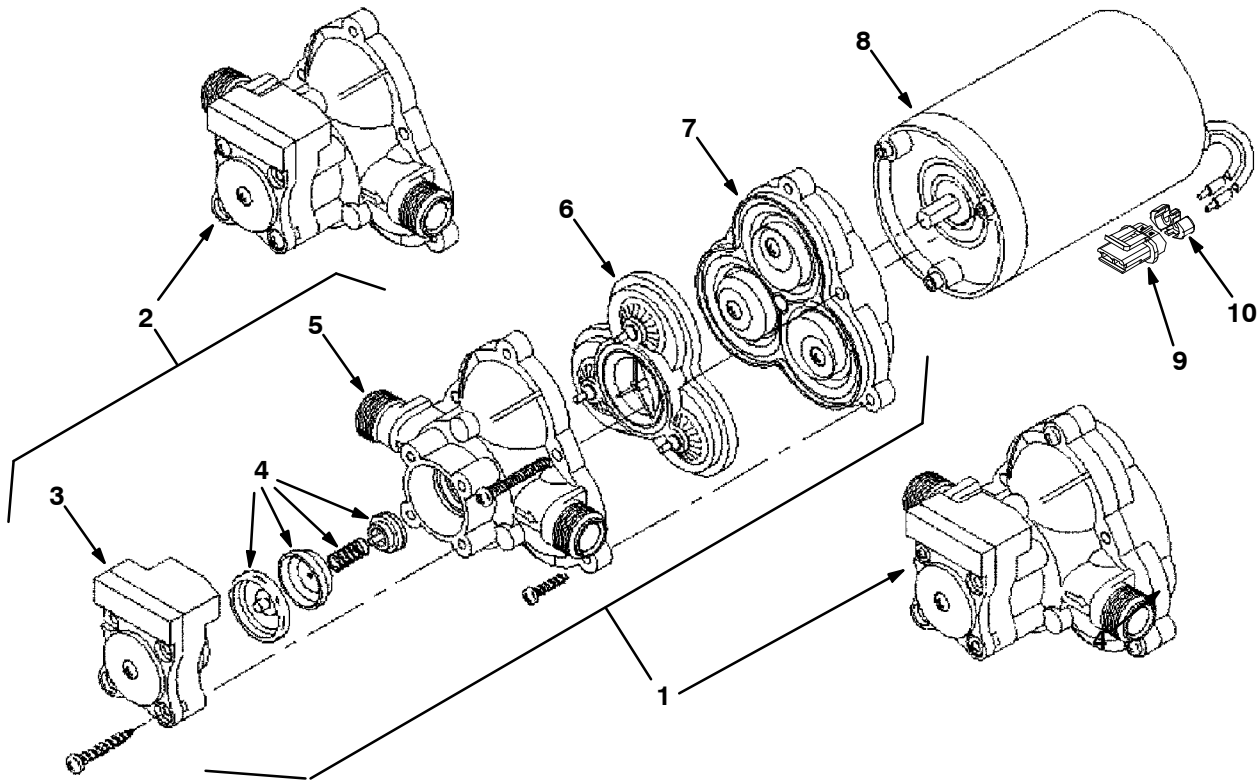


00112 - ALL

Ref.	Part No.	Serial Number	Description	Qty.
▽	73260	(000000-	) Pump, Detgt, 14vdc, 150ml/Min 20psi	1
▲	1 63923	(000000-	) Tubing Connctr.Kit, Gorman Pmp	1
▲	2 21659	(000000-	) Valve Kit, Poppet, Gorman Rupp	1
▲	3 21657	(000000-	) Kit, Bellows, Pump, Detgt	1
▲	4 78875	(000000-	) Motor, Ele, Gear, 14vdc, Pump, Detgt	1
▲	5 02430	(000000-	) Crank Kit, Pump, F/79323, Replmt	1



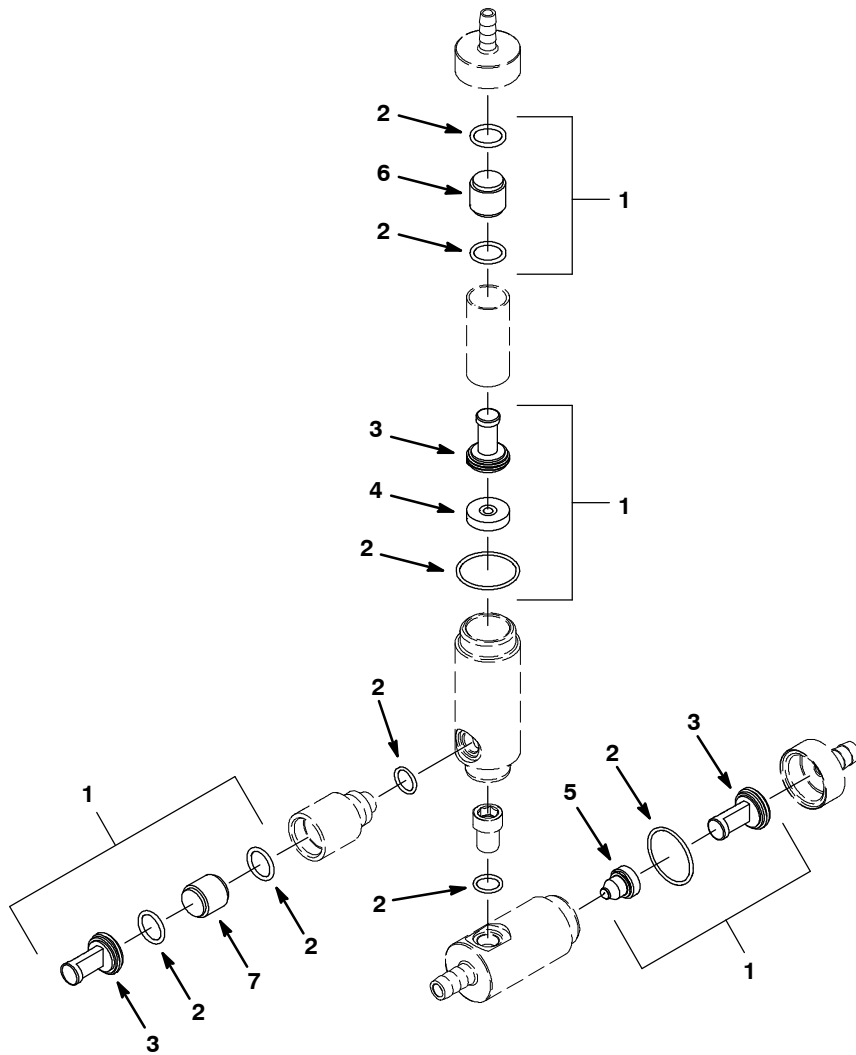
**Fig. 14 - Water Pump Breakdown, 1026743**



07490 - 09670

Ref.	Part No.	Serial Number	Description	Qty.	
▽	1026743	(000000-	) Pump, Diaphragm	1	
▲	1	1031802	(000000-	) Complete Pump Kit, Pump, Repair,	1
▲	2	1031803	(000000-	) Hsg & Switch Kit, Pump, Repair,	1
▲	3	1031796	(000000-	) Switch Kit, Pump, Repair,	1
▲	4	1031797	(000000-	) Chech Valve Kit, Pump, Repair,	1
▲	5	1031798	(000000-	) Upper Hsg Kit, Pump, Repair,	1
▲	6	1031799	(000000-	) Bypass Valve Kit, Pump, Repair,	1
▲	7	1031800	(000000-	) Diaphragm Kit, Pump, Repair,	1
▲	8	1031801	(000000-	) Motor Kit, Pump, Repair,	1
▲	9	78950	(000000-	) Connector, Fem, 02cav, Mp280 Sealed	1
▲	10	78952	(000000-	) Lock, Secondary, 2cav, Mp280 Sealed	1
▲		78951	(000000-	) Terminal, Fem, Mp280, Sealed, 18-16ga	2
▲		10917	(000000-	) Seal, Wire, 14/16ga [Wp / Mp280 Sealed]	2

**Fig. 15 - FaST Injector Assembly Breakdown, 9004515**



354649

Ref.	Part No.	Serial Number	Description	Qty.	
▽	9004515	(000000-	) FaST Kit, Injector, CI[M20/M30 FaST II+]	1	
▲▽	1	9004514	(000000-	) FaST Kit, Ci, Injector Rebuild[FaST II+]	1
▲▲	2	9003008	(000000-	) Fast Kit, Ci, Injector Seals [Fast li+]	1
▲▲	3	9003009	(000000-	) Fast Kit, Ci, Injector Filters[Fast li+]	1
▲▲	4	1042711	(000000-	) Plate Assy, Orifice, 0.0105id, Green	1
▲▲	5	1042710	(000000-	) Plug, Orifice, 0.060, Ss [Fast li+]	1
▲▲	6	1030444	(000000-	) Valve, Check, 0002psi [Fast li+]	1
▲▲	7	1030441	(000000-	) Valve, Check, 0005psi [Fast li+]	1

## SECTION 5

Contents	Page
Fig. 1 - Crankcase Group .....	5-2
Fig. 2 - Oil Pan Group .....	5-4
Fig. 3 - Cylinder Head Group .....	5-5
Fig. 4 - Gear Case Group .....	5-6
Fig. 5 - Water Pump Group .....	5-8
Fig. 6 - Main Bearing Case Group .....	5-9
Fig. 7 - Head Cover Group .....	5-10
Fig. 8 - Manifold Group .....	5-11
Fig. 9 - Valve, Rocker Arm Group .....	5-12
Fig. 10 - Fuel Camshaft Group .....	5-13
Fig. 11 - Camshaft Group .....	5-14
Fig. 12 - Piston and Crankshaft Group ....	5-16
Fig. 13 - Flywheel Group .....	5-18
Fig. 14 - Starter Breakdown, 74405 .....	5-20
Fig. 15 - Nozzle Holder and Glow Plug Group .....	5-22
Fig. 16 - Injection Pump Group .....	5-24
Fig. 17 - Injection Pump Breakdown .....	5-26
Fig. 18 - Idling Group .....	5-28
Fig. 19 - Speed Control Plate Group .....	5-29
Fig. 20 - Governor Group .....	5-30
Fig. 21 - Water Flange Group .....	5-31

Fig. 1 - Crankcase Group

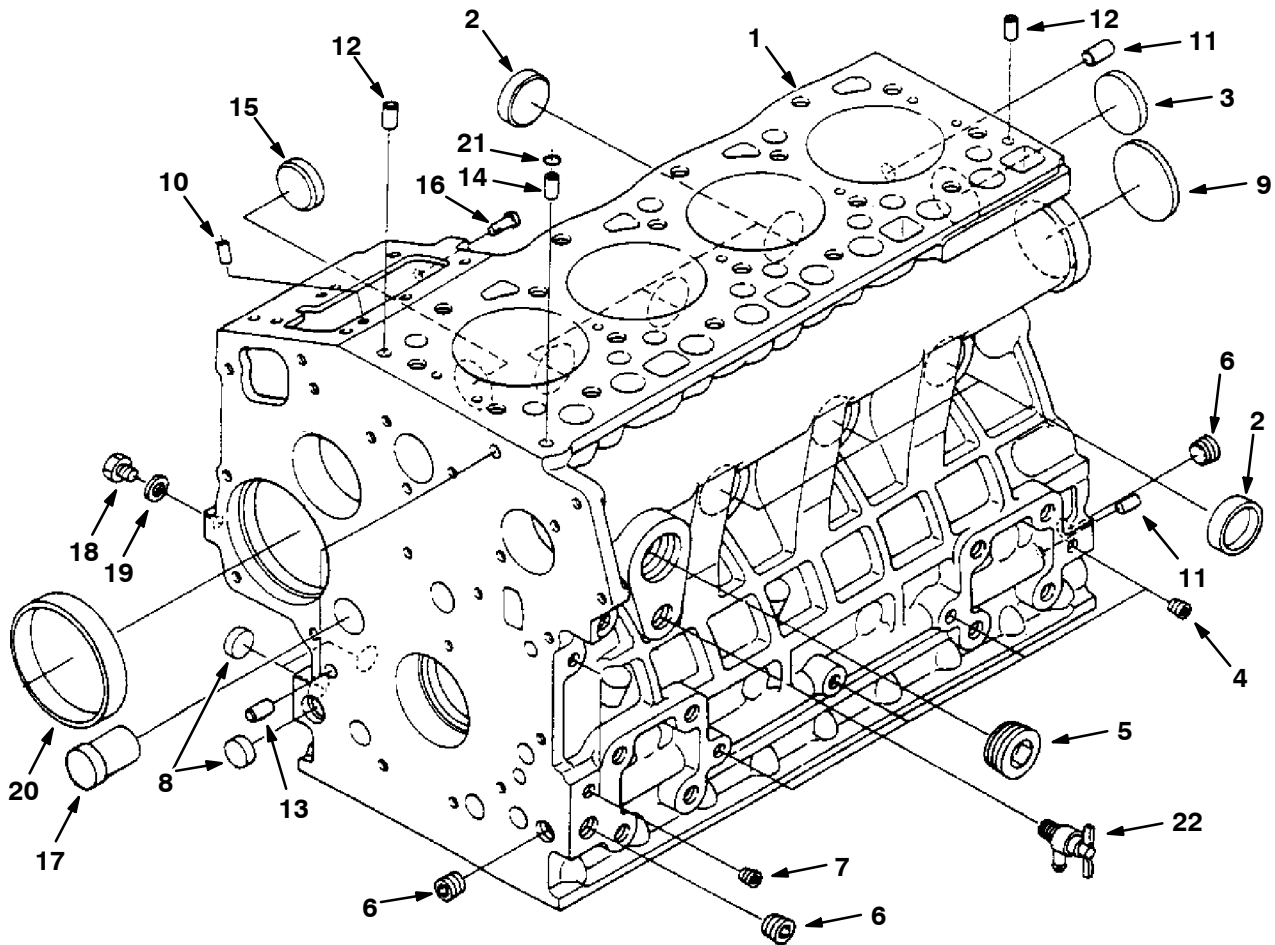
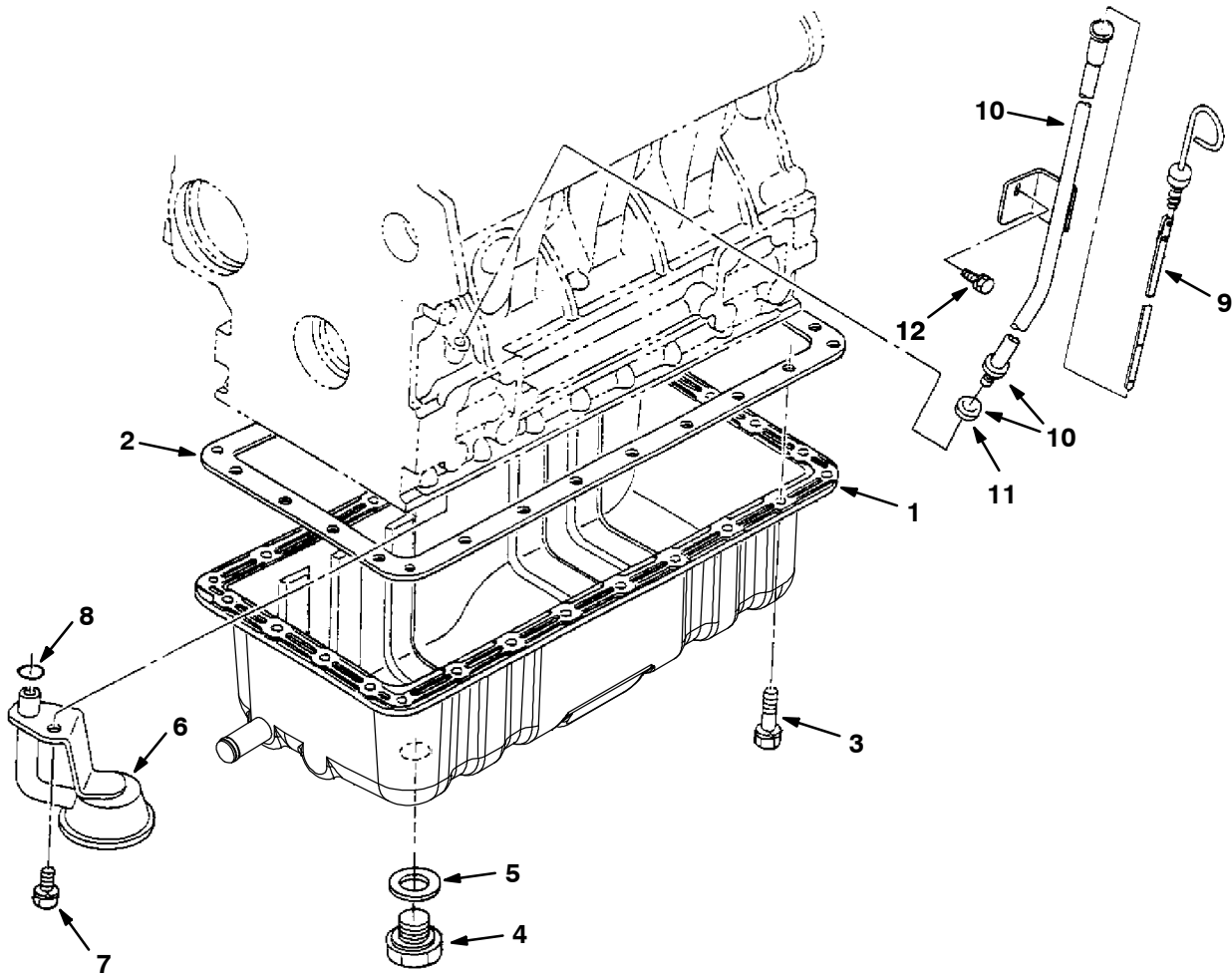


Fig. 1 - Crankcase Group

	Ref.	Part No.	Description	Qty.
▽	1	372920	Crankcase, Complt	1
▲	2	70998	Cap, Sealing	6
▲	3	39087	Cap, Sealing	1
▲	4	39088	Plug	4
▲	5	84647	Plug	1
▲	6	71985	Plug	3
▲	7	39051	Plug	2
▲	8	361436	Plug, Expansion	3
▲	9	71986	Plug, Expansion	1
▲	10	71987	Pin, Straight	2
▲	11	71988	Pin, Straight	2
▲	12	71989	Pin, Straight	2
▲	13	71990	Pin, Pipe	2
▲	14	71991	Pin, Pipe	1
▲	15	71992	Plug	1
▲	16	39105	Pin, Start Spring	1
▲	17	71993	Plug	1
▲	18	39062	Plug	1
▲	19	10895	Gasket	1
▲	20	70887	Bush, Governor Gear	1
	21	39063	O-Ring	1
	22	70888	Assembly Cock, Drain	1

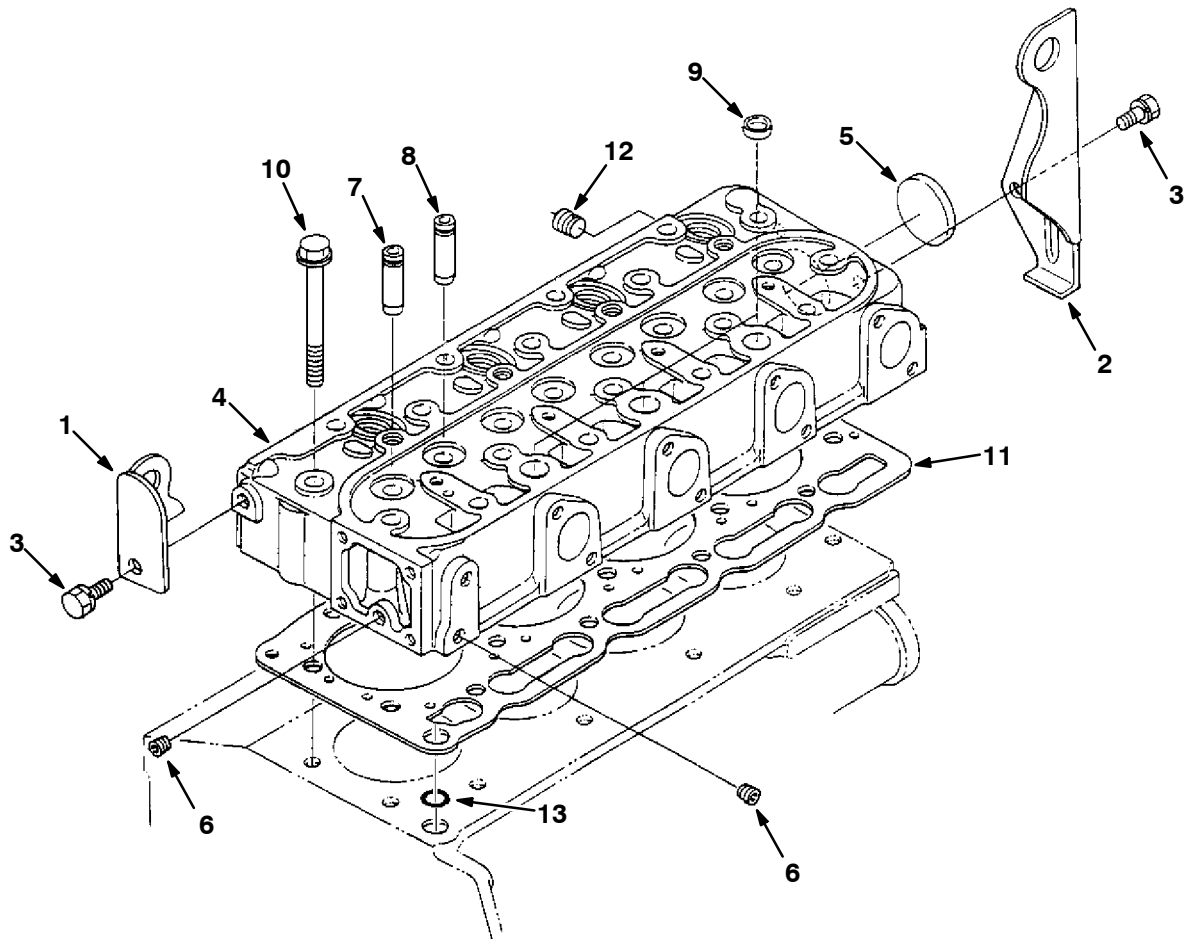
## Fig. 2 - Oil Pan Group



07409 - M20, D

Ref.	Part No.	Description	Qty.
1	1023144	Comp. Oil Pan (Rear Sump)	1
2	70889	Gasket, Oil Pan	1
3	71995	Bolt	26
4	70890	Plug, Drain	1
5	70891	Gasket	1
6	9006001	Pump, Oil, Pickup [Sump, Ku]	1
7	39094	Bolt	1
8	41792	O-Ring	1
9	70893	Gauge, Oil	1
▽ 10	361428	Guide Assy, Oil Gauge	1
▲ 11	361366	O-Ring	1
12	39073	Bolt	1
	66187	Gasket Set, Lower	1

Fig. 3 - Cylinder Head Group



07411 - M20, D

Ref.	Part No.	Description	Qty.	
1	71996	Hook, Engine 1	1	
2	71997	Hook, Engine 2	1	
3	39073	Bolt	2	
4	84631	Head, Cyl, W/O Valves	1	
▽	4	372921	Head, Cyl	1
▲	5	51331	Cap, Sealing	1
▲	6	39088	Plug	2
▲	7	70895	Guide, Inlet Valve	4
▲	8	70896	Guide, Exhaust Valve	4
▲	9	71999	Cap, Sealing	3
10	70897	Bolt, Cylinder Head	18	
11	70899	Gasket, Cyclinder Head	1	
	66194	Gasket Set, Upper	1	
12	72010	Plug	1	
13	39063	O-Ring	1	

Fig. 4 - Gear Case Group

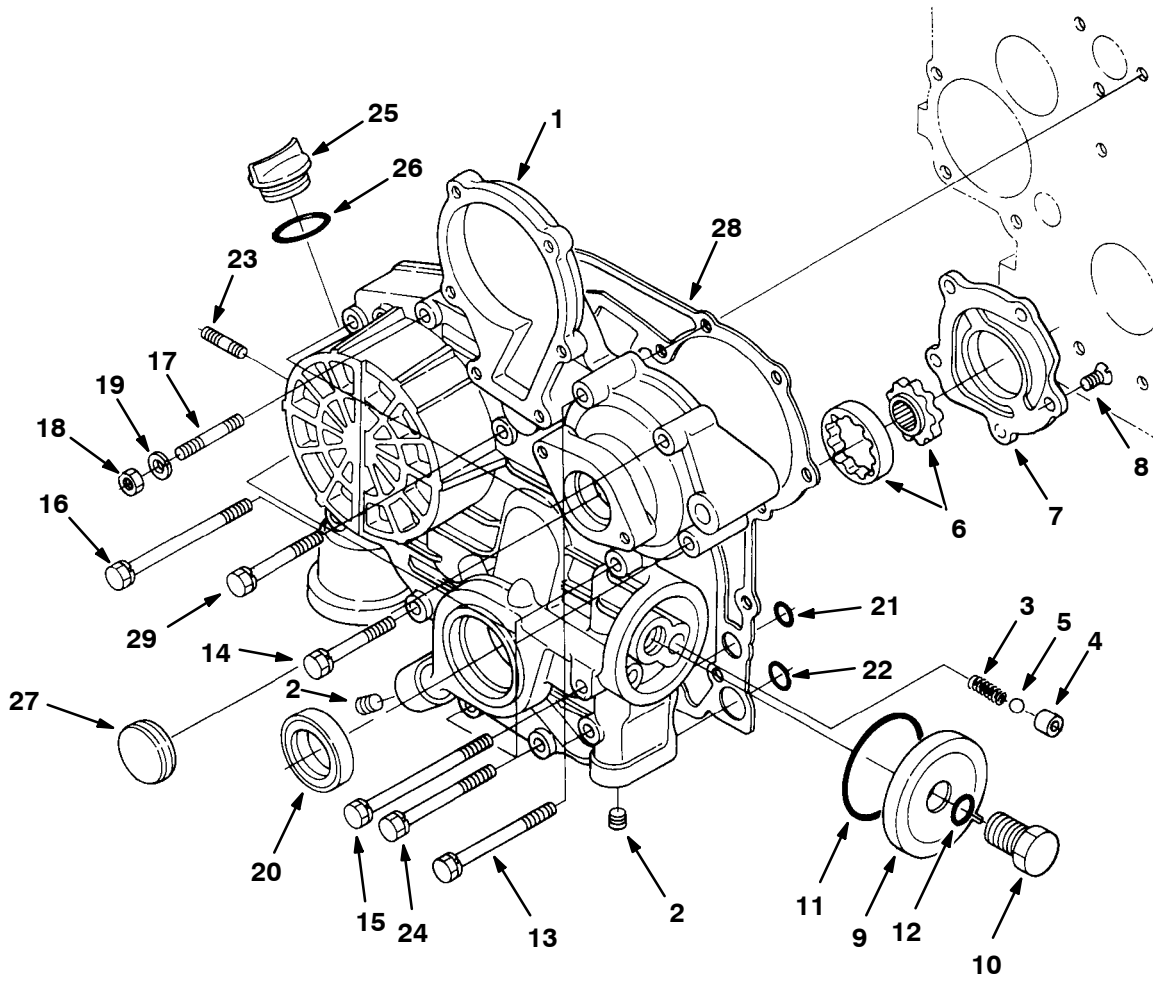
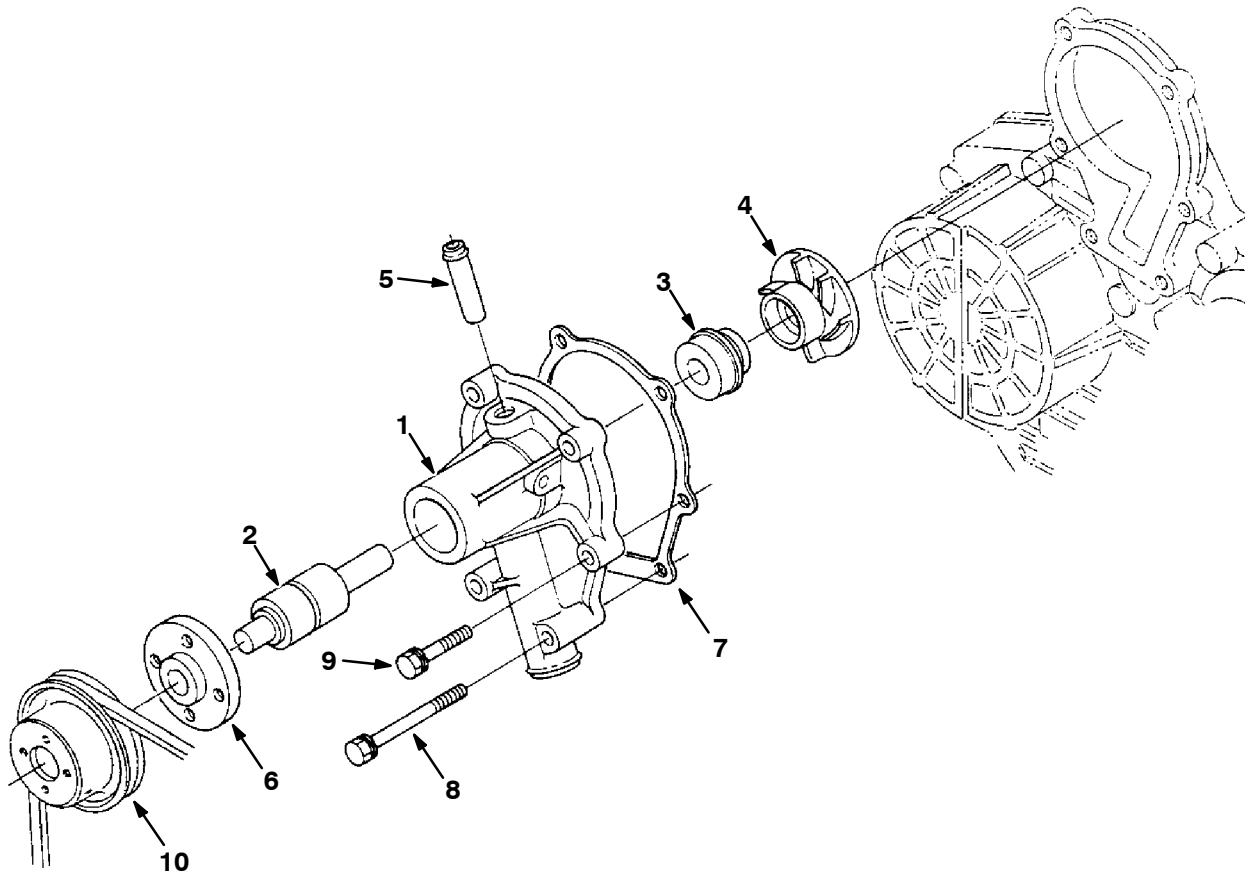




Fig. 4 - Gear Case Group

	Ref.	Part No.	Description	Qty.
▽	1	72011	Comp. Case, Gear	1
▲	2	72012	Plug	4
▲	3	70900	Spring	1
▲	4	70901	Seat, Valve	1
▲	5	70902	Ball	1
▲	6	70903	Assembly Rotor, Oil Pump	1
▲	7	70904	Cover, Oil Pump	1
▲	8	72013	Screw	5
▲	9	70905	Cover	1
▲	10	70906	Bolt	1
▲	11	70907	O-Ring	1
▲	12	39103	O-Ring	1
	13	72995	Bolt	2
	14	72014	Bolt	1
	15	72015	Bolt	2
	16	72016	Bolt	1
	17	72017	Stud	1
	18	39121	Nut	1
	19	39065	Washer, Spring	1
	20	70909	Seal, Oil	1
	21	70910	O-Ring	2
	22	70911	O-Ring	2
	23	72018	Stud	2
	24	72994	Bolt	4
	25	39161	Oil Filter, Plug	1
	26	70913	O-Ring	1
	27	70189	Cover	1
	28	70912	Gasket, Gear Case	1
	29	72993	Bolt	3

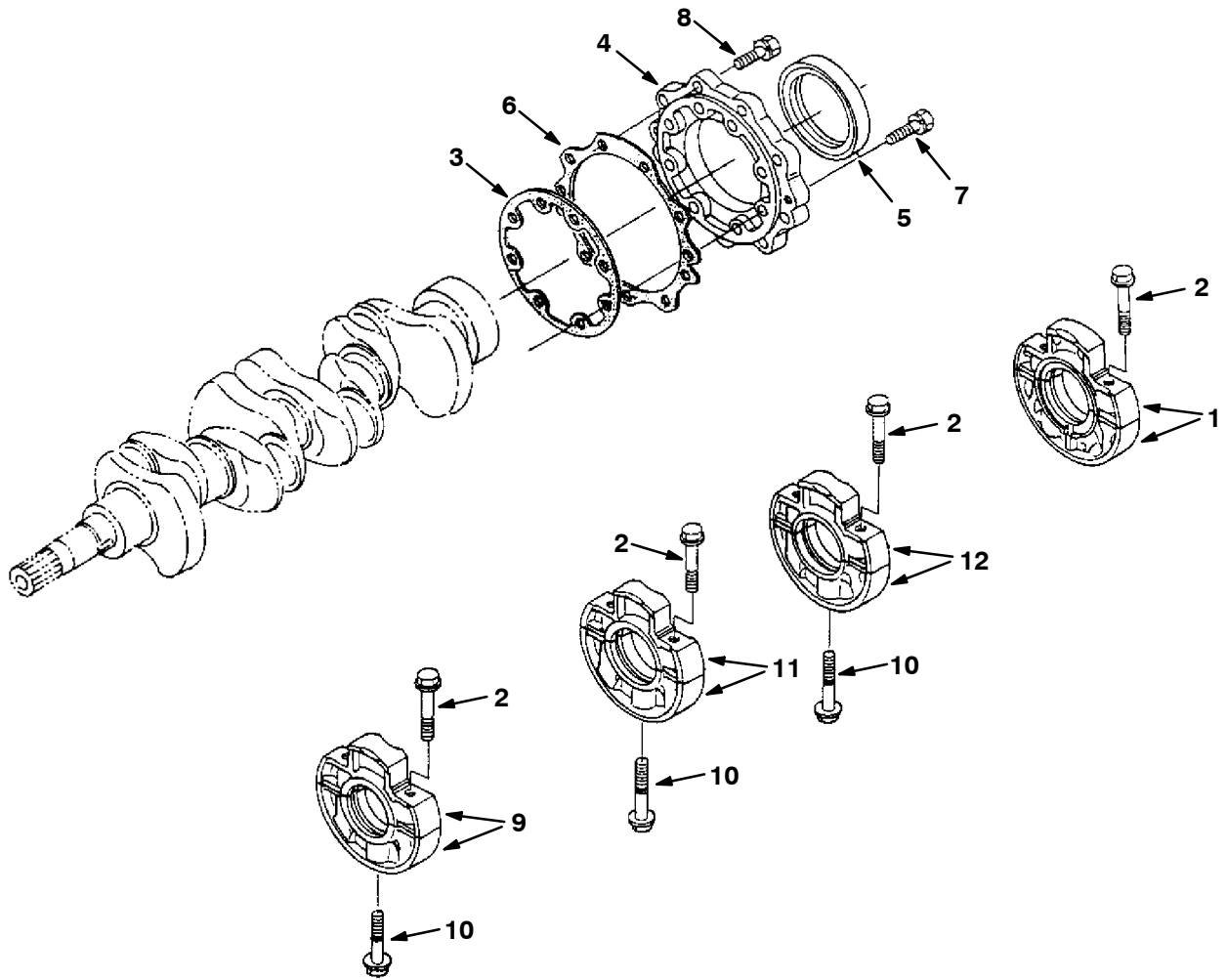
**Fig. 5 - Water Pump Group**



07415 - M20, D

Ref.	Part No.	Description	Qty.
▽	1 66205	Assembly Pump, Water	1
▲	2 70915	Bearing, Ball	1
▲	3 70916	Assembly Seal, Mechanical	1
▲	4 70917	Impeller, Water Pump	1
▲	5 361440	Fitting, Pipe, Water [Ku]	1
▲	6 70919	Flange, Pump, Water [Ku]	1
▲	7 70920	Gasket, Water Pump	1
	8 72997	Bolt	2
	9 72996	Bolt	4
	10 55847	Pully, Fan	1

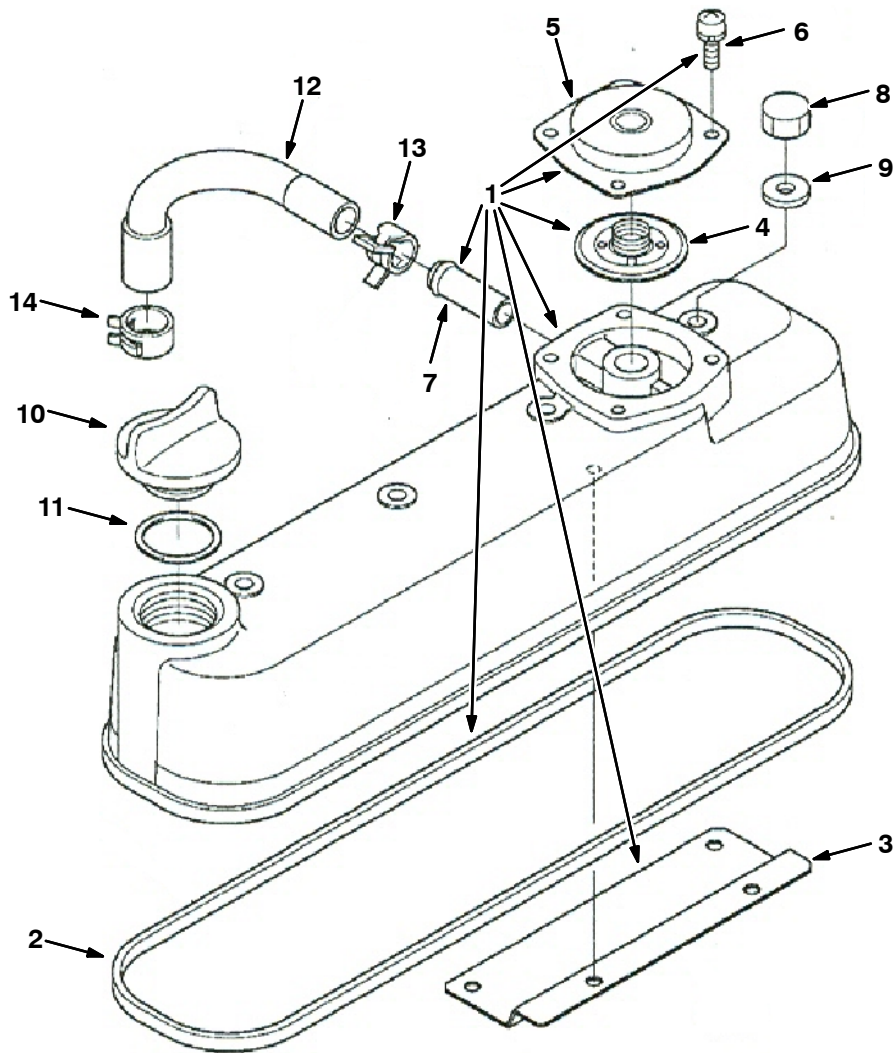
Fig. 6 - Main Bearing Case Group



07417 - M20, D

Ref.	Part No.	Description	Qty.
1	70921	Assembly Case, Main Bearing	1
2	72998	Bolt, Bearing Case 1	8
3	70922	Gasket, Bearing Case	1
4	70923	Cover, Bearing Case	1
5	70924	Seal, Oil	1
6	70925	Gasket, Bearing Case Cover	1
7	72999	Bolt	8
8	39119	Bolt	9
9	70926	Assembly Case, Main Bearing 1	1
10	73479	Bolt, Bearing Case 2	3
11	70927	Assembly Case, Main Bearing 2	1
12	70928	Assembly Case, Main Bearing 3	1

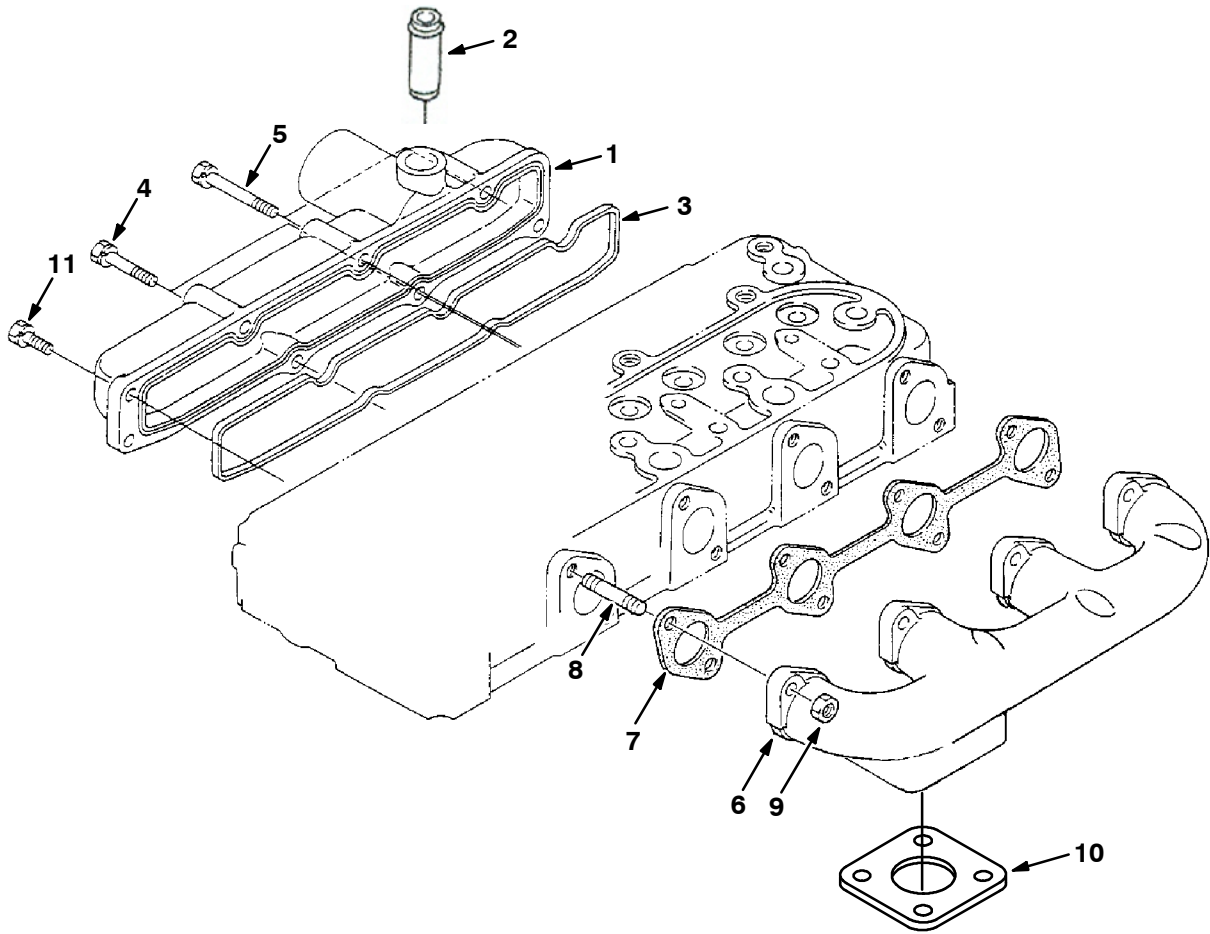
## Fig. 7 - Head Cover Group



07419 - M20, D

Ref.	Part No.	Description	Qty.
▽	1 372918	Cover Assy, Head, Cyl	1
▲	2 70929	Gasket, Head Cover	1
▲	3 372912	Shield, Breather	1
▲	4 372928	Valve, Breather, Complt	1
▲	5 372927	Cover, Breather	1
▲	6 372900	Screw, Pan	4
▲	7 30125	Pipe, Water	1
	8 73483	Nut, Cap	4
	9 73484	Gasket	4
	10 361374	Plug, Oil Filler	1
	11 70913	Seal, Org	1
	12 372913	Tube, Breather	1
	13 372901	Clamp, Hose	1
	14 372904	Clamp, Hose	1

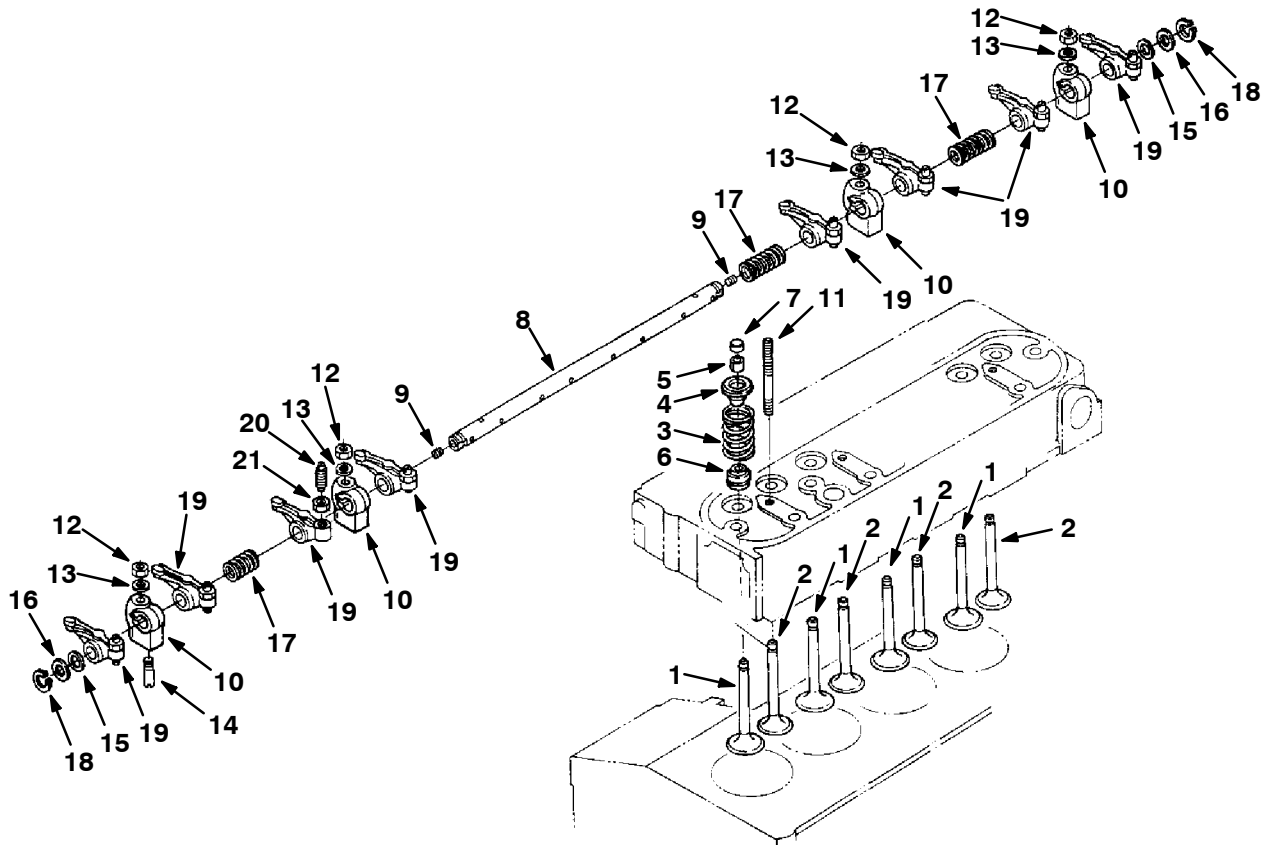
Fig. 8 - Manifold Group



07421 - M20, D

	Ref.	Part No.	Description	Qty.
▽	1	372905	Manifold Assy, Inlet	1
▲	2	73481	Pipe, Breather [Ku]	1
▲	3	70934	Gasket, Manifold, Intake [Ku]	1
	4	72996	Bolt	2
	5	72994	Bolt	3
	6	73487	Manifold, Exhaust, Front, Down	1
	7	70935	Gasket, Ex-manifold	1
	8	73488	Stud	8
	9	361427	Nut	8
	10	51332	Gasket Ku	1
	11	40409	Bolt	3

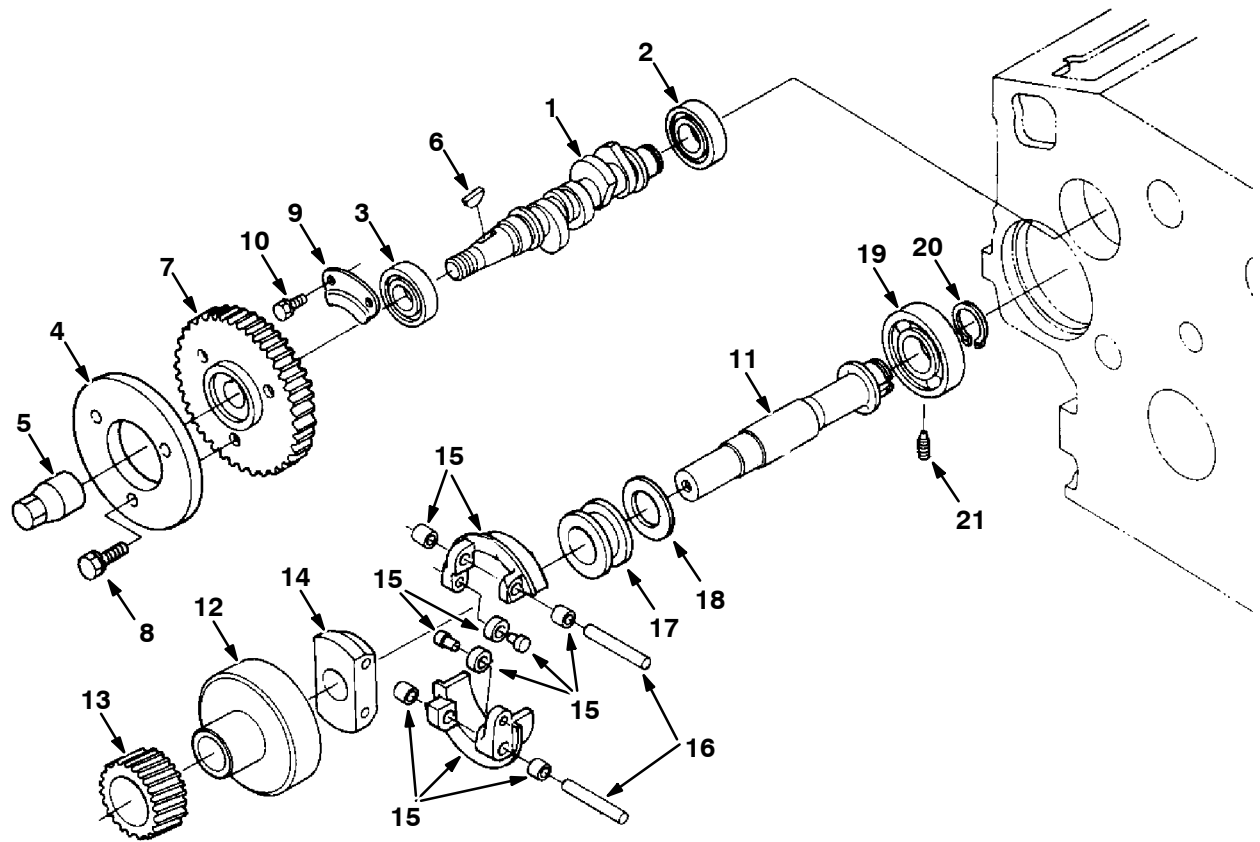
Fig. 9 - Valve, Rocker Arm Group



07423 - M20, D

Ref.	Part No.	Description	Qty.	
1	70936	Valve, Inlet	4	
2	70937	Valve, Exhaust	4	
3	73491	Spring, Valve	8	
4	73492	Retainer, Valve Spring	8	
5	73493	Collet, Valve Spring	8	
6	73494	Seal, Valve Stem	8	
7	361392	Cap, Valve	8	
▽	8	73495	Assembly Shaft, R-arm	1
▲	9	73496	Screw, Set	2
10	73497	Bracket, Rocker Arm	4	
11	73498	Stud	4	
12	73499	Nut	4	
13	73500	Washer, Plain	4	
14	73501	Screw, Set	1	
15	73502	Washer 1	2	
16	73503	Washer 2	2	
17	73504	Spring, Rocker Arm	3	
18	73505	Cir-clip, External	2	
▽	19	73506	Assembly Rocker Arm	8
▲	20	73507	Screw, Adjusting	8
▲	21	73508	Nut	8

Fig. 10 - Fuel Camshaft Group



07441 - M20, D

Ref.	Part No.	Description	Qty.	
1	84636	Camshaft, Fuel	1	
2	70975	Bearing, Ball	1	
3	70976	Bearing, Ball	1	
4	73592	Cam, Fuel	1	
5	73593	Nut, Cap	1	
6	73594	Key, Woodruff	1	
7	73595	Gear, Injection Pump	1	
8	40409	Bolt	3	
9	73596	Stopper	1	
10	71995	Bolt	2	
▽	11	73597	Assembly Shaft, Governor	1
▲	12	73598	Holder, Governor Gear	1
▲	13	73599	Gear, Governor	1
▲	14	73600	Holder,	1
▲	15	73601	Comp. Weight, Governor	2
▲	16	73602	Shaft, Governor Weight	2
▲	17	70977	Sleeve, Governor	1
▲	18	70978	Washer, Thrust	1
	19	70979	Bearing, Ball	1
	20	73603	Cir-clip, Governor Shaft	1
	21	73604	Screw, Set	1

Fig. 11 - Camshaft Group

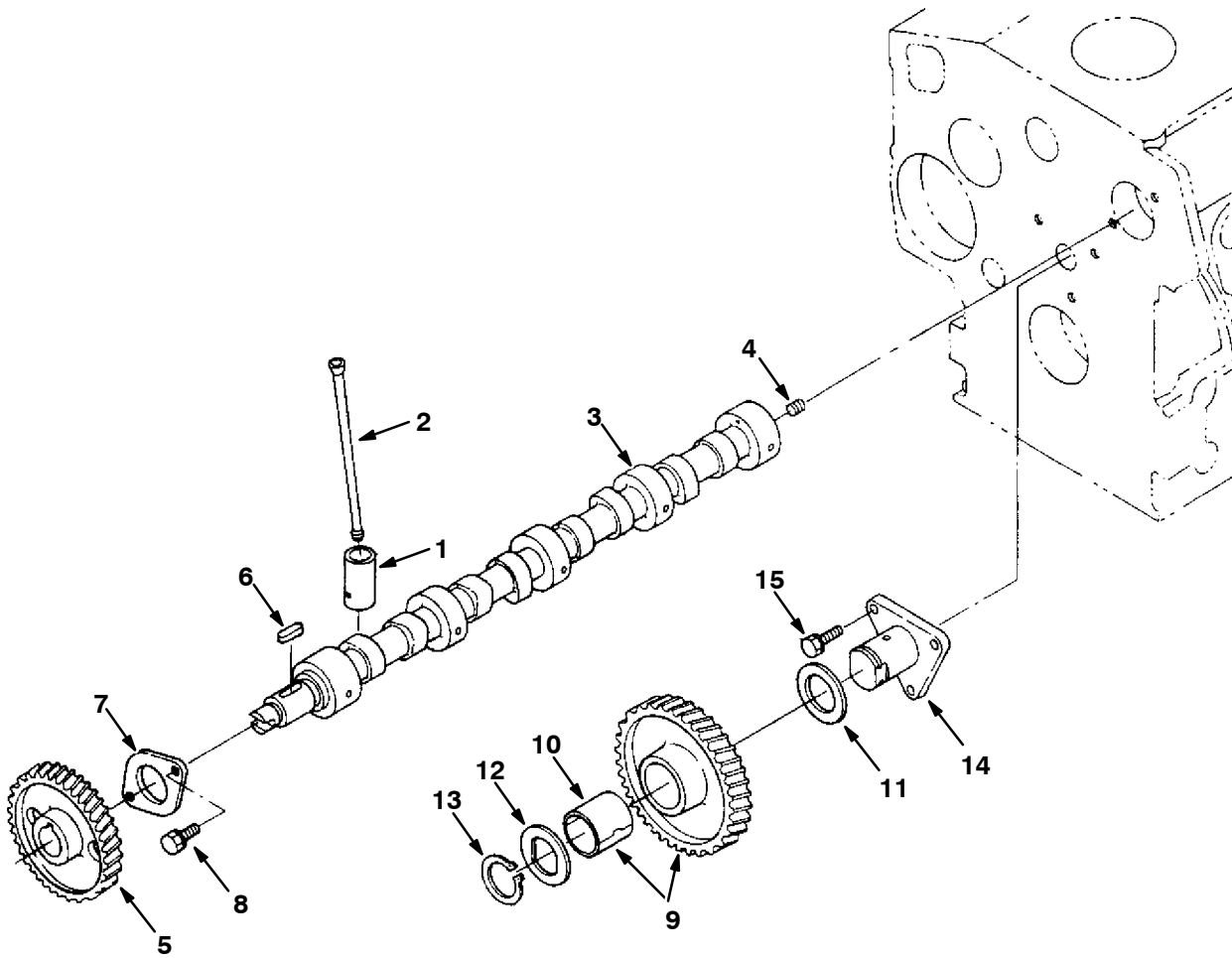




Fig. 11 - Camshaft Group

	Ref.	Part No.	Description	Qty.
	1	12895	Tappet	8
	2	73509	Push Rod	8
▽	3	73510	Assembly Camshaft	1
▲	4	39197	Screw, Set	1
▲	5	73511	Gear, Camshaft	1
▲	6	73512	Key, Feather	1
▲	7	73513	Stopper, Camshaft	1
▲	8	39160	Bolt	2
▽	9	73514	Comp Idle Gear 1	1
▲	10	73515	Bush, Idle Gear	1
	11	73516	Collar, Idle Gear 1	1
	12	73517	Collar, Idle Gear 2	1
	13	73518	Cir-clip, Idle Gear	1
	14	73519	Shaft, Idle Gear 1	1
	15	41973	Bolt	3

Fig. 12 - Piston and Crankshaft Group

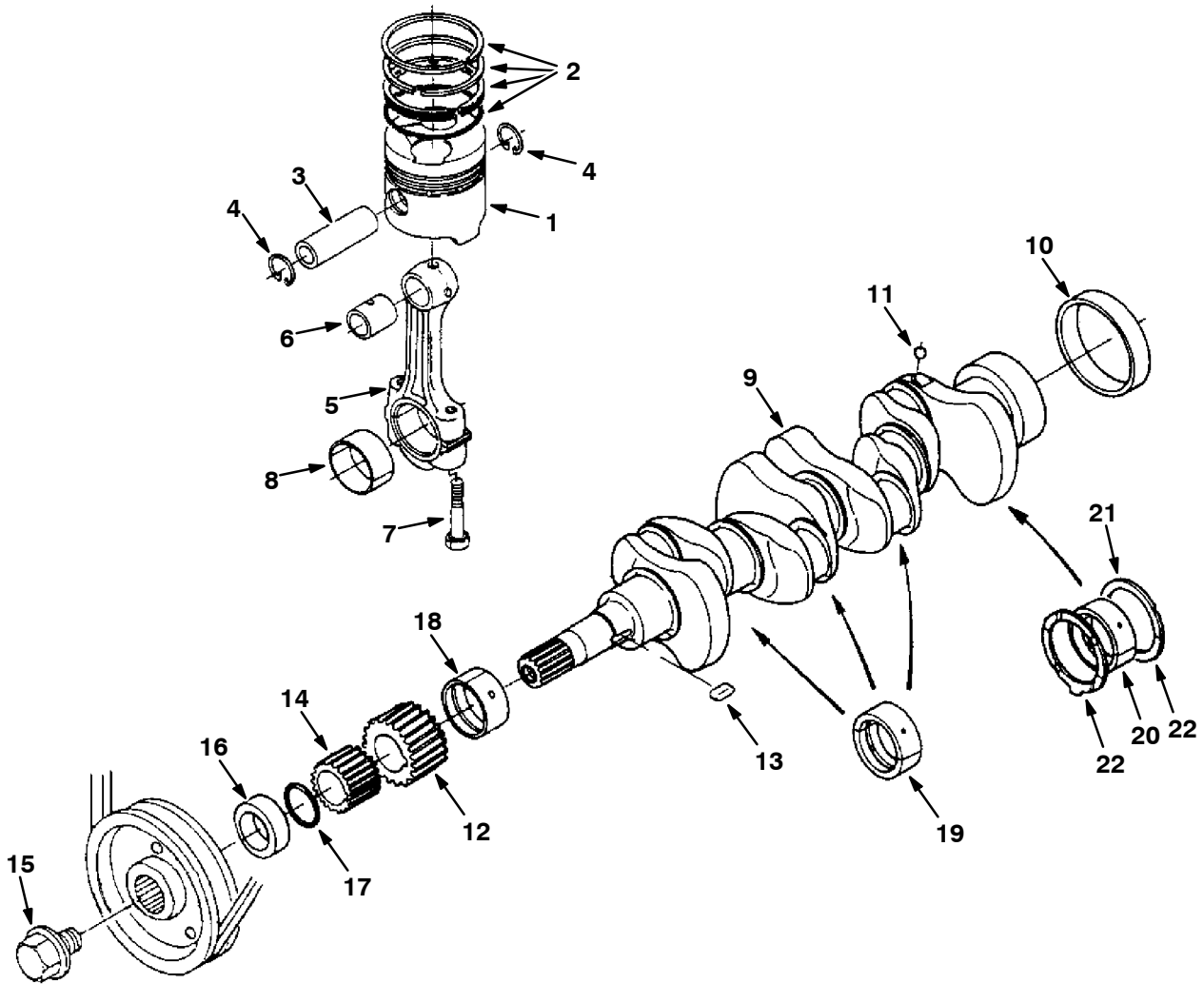
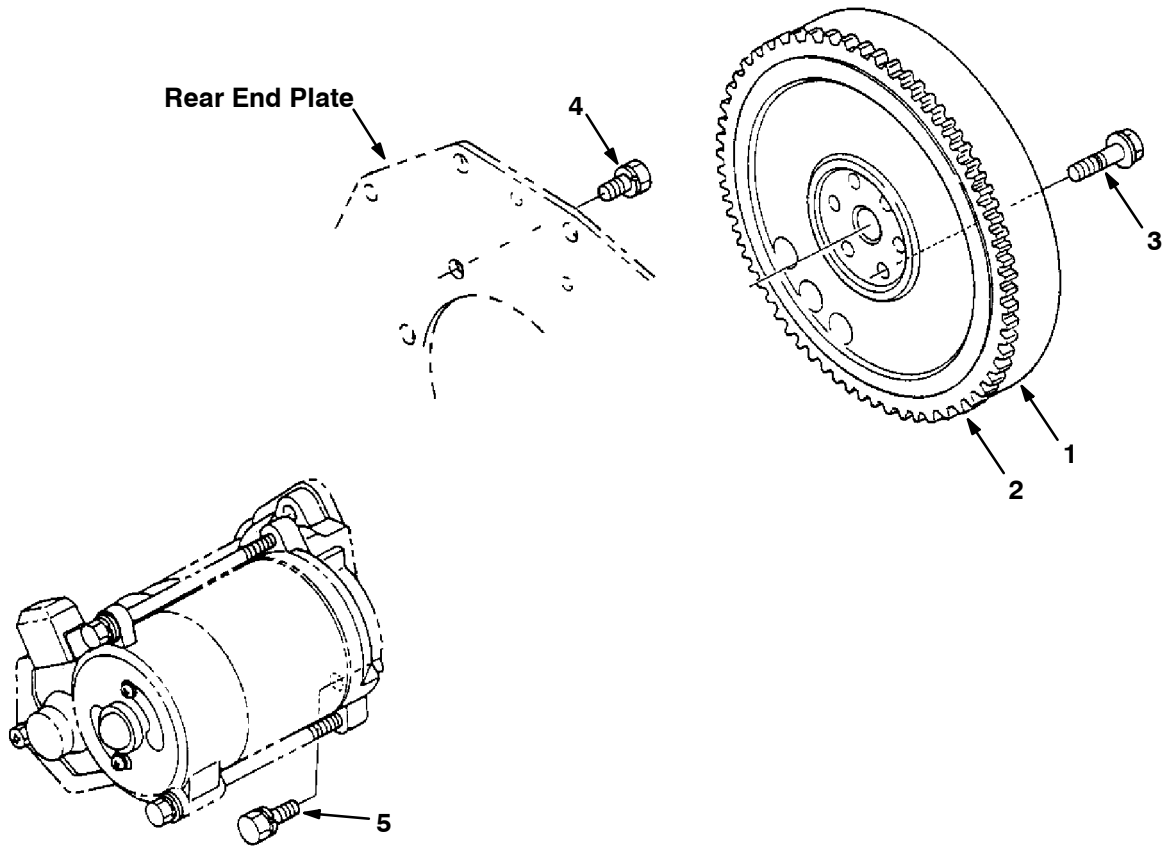


Fig. 12 - Piston and Crankshaft Group

Ref.	Part No.	Description	Qty.	
1	73520	Piston	4	
1	73521	Piston 05	4	
2	70938	Assembly Piston Ring	4	
2	70939	Assembly Piston Ring 05	4	
3	73522	Pin, Piston	4	
4	73523	Cir-clip, Piston Pin	8	
▽	5	73524	Assembly Connecting Rod	4
▲	6	70940	Bush, Piston Pin	4
▲	7	73525	Bolt, Connecting Rod	8
▲	8	70941	Metal, Crankpin	4
▲	8	66204	Metal, Crankpin 02	4
▲	8	66207	Metal, Crankpin 04	4
▽	9	73526	Comp. Crankshaft	1
▲	10	70942	Sleeve, Crankshaft	1
▲	11	73527	Ball	4
▲	12	73528	Gear, Crankshaft	1
▲	13	73529	Key	1
▲	14	73530	Gear, Oil Pump Drive	1
	15	73532	Bolt	1
	16	70943	Collar, Crankshaft	1
	17	70944	O-Ring	1
	18	70945	Metal, Crankshaft 1	1
	18	70946	Metal, Crankshaft1 02	1
	18	70947	Metal, Crankshaft1 04	1
	19	70948	Metal, Crankshaft 2	3
	19	70949	Metal, Crankshaft2 02	3
	19	70950	Metal, Crankshaft2 04	3
	20	70951	Metal, Crankshaft 3	1
	20	70952	Metal, Crankshaft3 02	1
	20	70953	Metal, Crankshaft3 04	1
	21	10844	Metal, Side 1	2
	21	70954	Metal, Side 1 02	2
	21	70955	Metal, Side 1 04	2
	22	10845	Metal, Side 2	2
	22	30121	Metal, Side 2 02	2
	22	30122	Metal, Side 2 04	2

Fig. 13 - Flywheel Group



**Fig. 13 - Flywheel Group**

	<b>Ref.</b>	<b>Part No.</b>	<b>Description</b>	<b>Qty.</b>
▽	1	70956	Comp. Flywheel	1
▲	2	70957	Gear, Ring	1
	3	73533	Bolt, Flywheel	6
	4	73534	Bolt	8
	5	73535	Bolt	2

Fig. 14 - Starter Breakdown, 74405

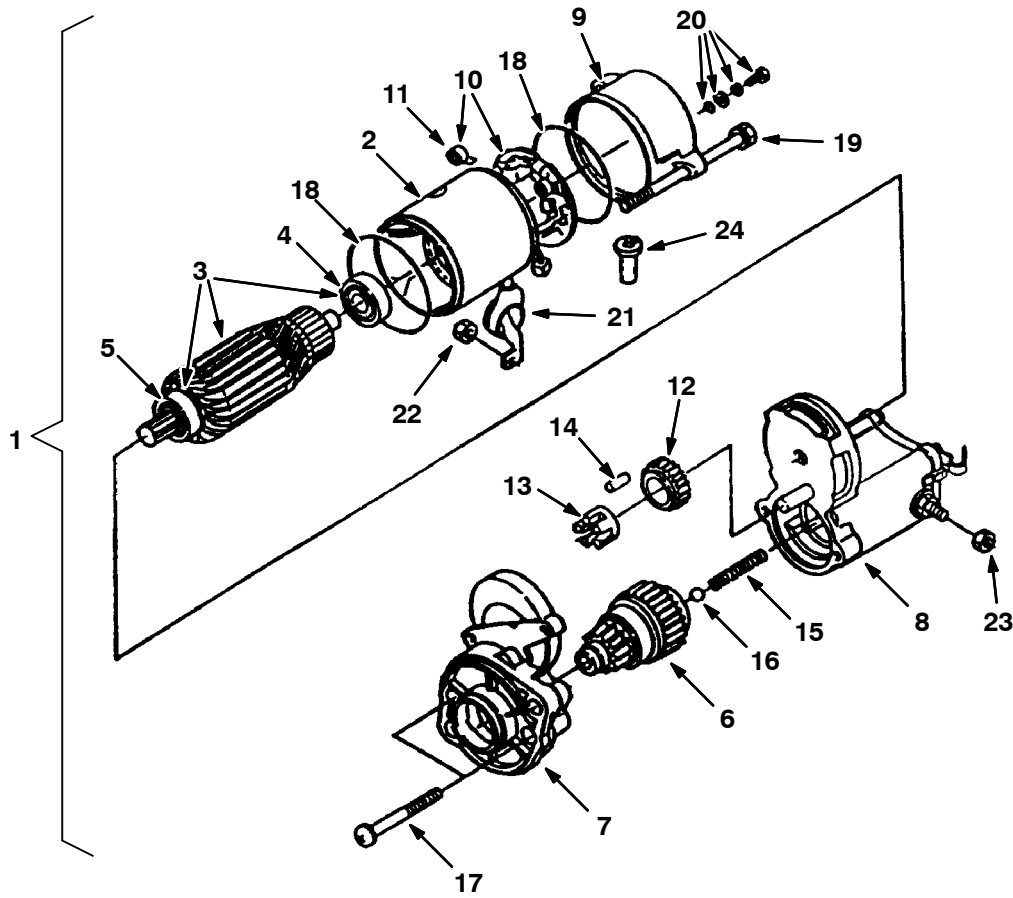


Fig. 14 - Starter Breakdown, 74405

	Ref.	Part No.	Description	Qty.
▽	1	74405	Assy Starter	1
▲	2	70196	Assy Yoke	1
▲▽	3	70197	Assy Armature	1
▲▲	4	70198	Bearing	1
▲▲	5	70199	Bearing	1
▲	6	70200	Clutch, Over Running	1
▲	7	70201	Frame, Drive End	1
▲	8	70202	Assy Switch, Magneto	1
▲	9	70203	Frame, End	1
▲▽	10	70204	Assy Holder, Brush	1
▲▲	11	70205	Spring, Brush	4
▲	12	70206	Gear	1
▲	13	70207	Retainer	1
▲	14	73545	Roller	5
▲	15	70208	Spring	1
▲	16	73547	Ball	1
▲	17	70209	Bolt	2
▲	18	20433	O-Ring	2
▲	19	70210	Bolt	2
▲	20	20432	Assy Bolt	2
▲	21	70211	Cover	1
▲	22	73551	Nut, Hexagon	1
▲	23	70212	Nut, Hexagon	1
▲	24	70213	Pipe, Drain	1

Fig. 15 - Nozzle Holder and Glow Plug Group

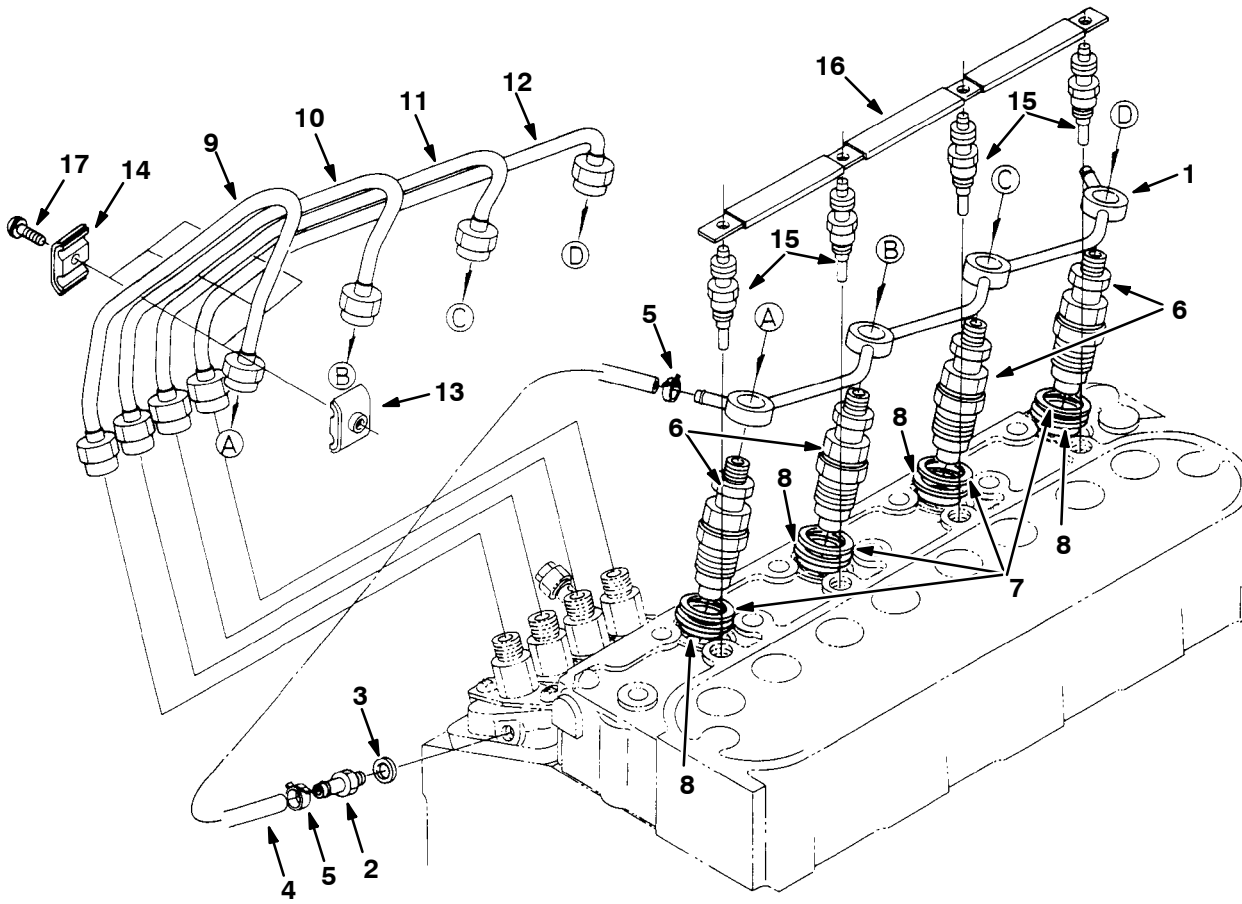




Fig. 15 - Nozzle Holder and Glow Plug Group

Ref.	Part No.	Description	Qty.	
	1	73554	Pipe, Over Flow	1
	2	73555	Screw	1
	3	40166	Gasket	1
▽	4	361373	Assembly Pipe, Over Flow	1
▲	5	361368	Band, Pipe	2
▽	6	372917	Housing Assy, Nozzle	4
▲	7	70964	Gasket	1
▲	8	20719	Seal, Heat	1
	9	70965	Pipe, Injection 1	1
	10	70966	Pipe, Injection 2	1
	11	70967	Pipe, Injection 3	1
	12	70968	Pipe, Injection 4	1
	13	30131	Clamp, Pipe 1	3
	14	30132	Clamp, Pipe 2	3
	15	84638	Plug, Glow	4
	16	73560	Cord, Glow Plug	1
	17	39508	Screw, With Washer	3

Fig. 16 - Injection Pump Group

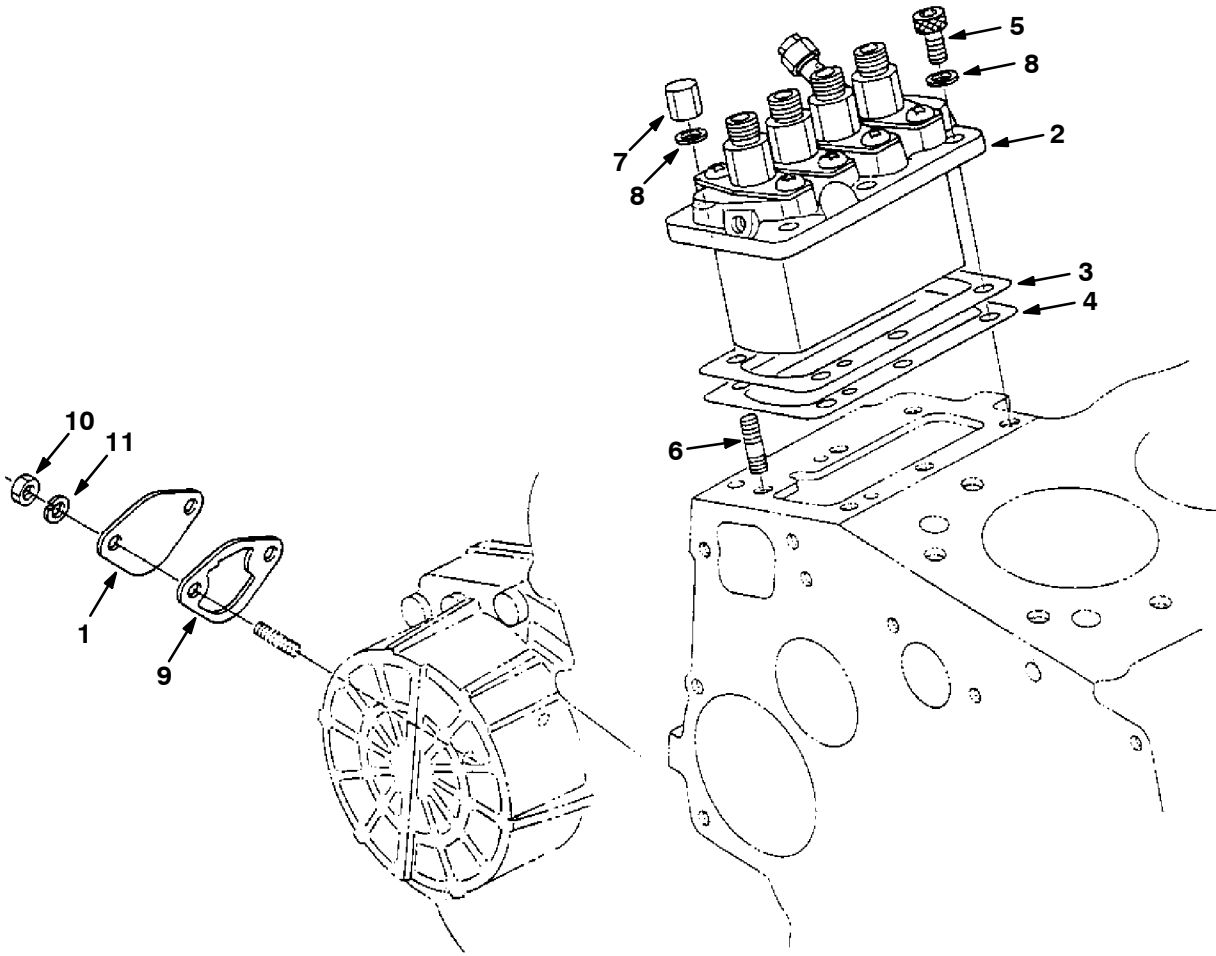


Fig. 16 - Injection Pump Group

Ref.	Part No.	Description	Qty.
1	73565	Fuel Pump Cover Plate	1
2	84635	Assembly Pump, Injection (See Injection Pump Breakdown)	1
3	70972	Shim, Injection Pump 0.20 mm	1
4	70973	Shim, Injection Pump 0.25 mm	2
4	84644	Shim, Injection Pump 0.30 mm	1
5	73561	Bolt	3
6	73562	Stud	3
7	73563	Nut, Cap	3
8	39065	Washer, Spring	6
9	70974	Gasket, Fuel Pump	1
10	39121	Nut	2
11	39065	Washer, Spring	2

Fig. 17 - Injection Pump Breakdown

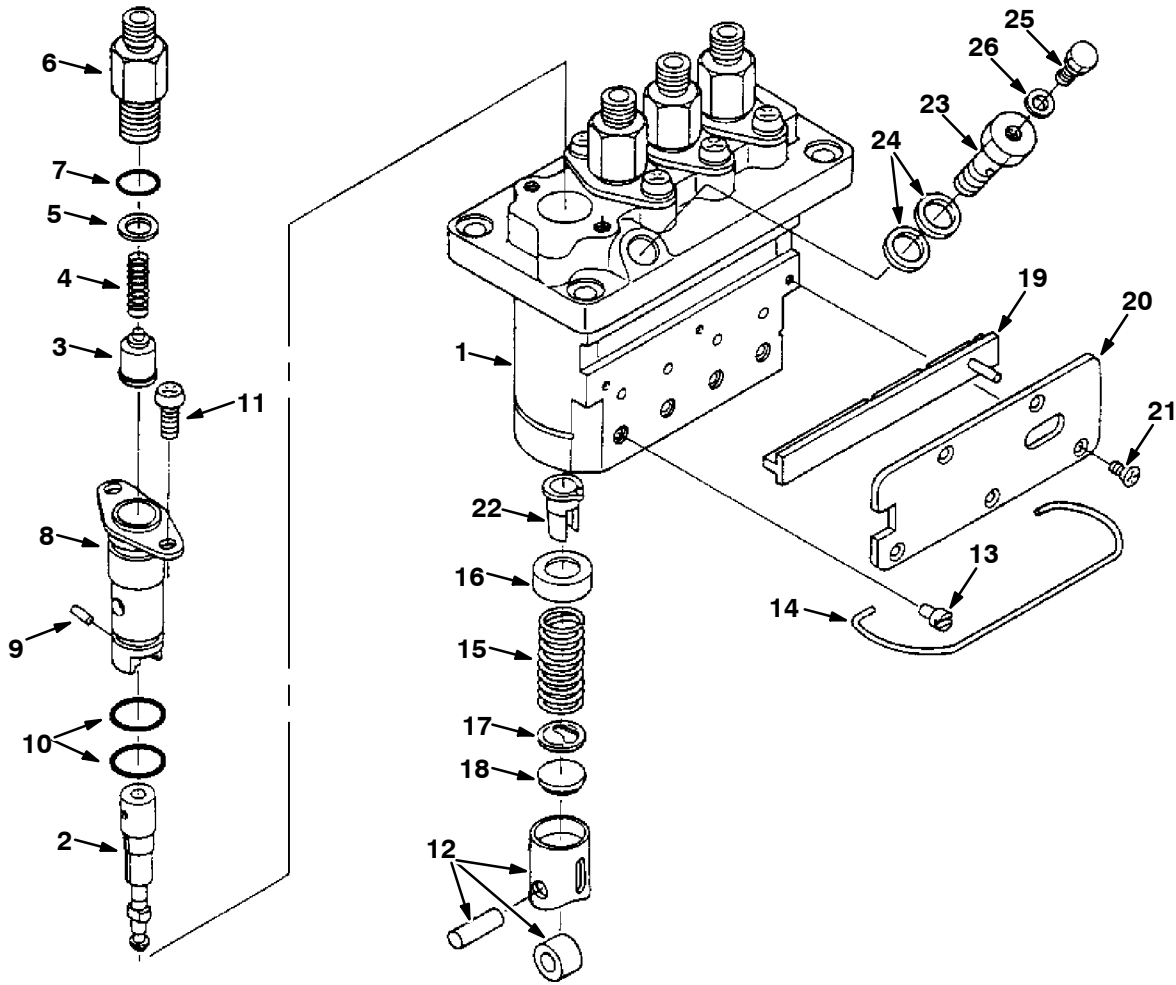
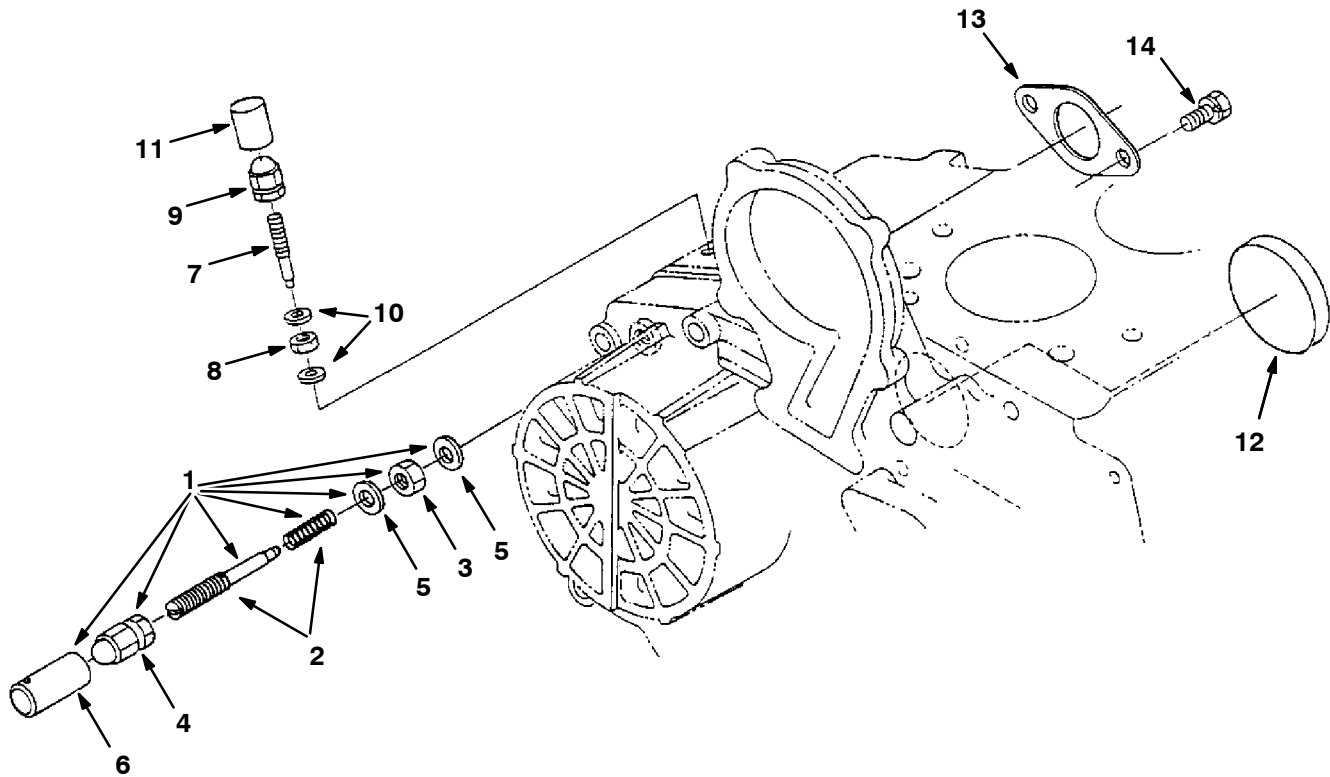


Fig. 17 - Injection Pump Breakdown

	Ref.	Part No.	Description	Qty.
▽	1	84635	Assembly Pump, Injection	1
▲	2	84648	Plunger, Pump	4
▲	3	73567	Valve, Delivery	4
▲	4	73568	Spring, Delivery Valve	4
▲	5	73569	Gasket, Delivery Valve	4
▲	6	73570	Holder, Delivery Valve	4
▲	7	73571	O-Ring	4
▲	8	73572	Flange, Sleeve	4
▲	9	73573	Pin, Joint	4
▲	10	73574	O-Ring	8
▲	11	73575	Screw	8
▲	12	73576	Assembly Tappet	4
▲	13	73577	Pin, Tappet Guide	4
▲	14	73578	Pin, Clamp	1
▲	15	73579	Spring, Plunger	4
▲	16	73580	Seat, Spring Upper	4
▲	17	73581	Seat, Spring Lower	4
▲	18	73582	Shim	1
▲	19	84649	Rack, Control	1
▲	20	84650	Plate	1
▲	21	73585	Screw	5
▲	22	73586	Sleeve, Control	4
▲	23	84651	Screw, Follow	1
▲	24	73588	Gasket	2
▲	25	73589	Screw	1
▲	26	73590	Gasket	1

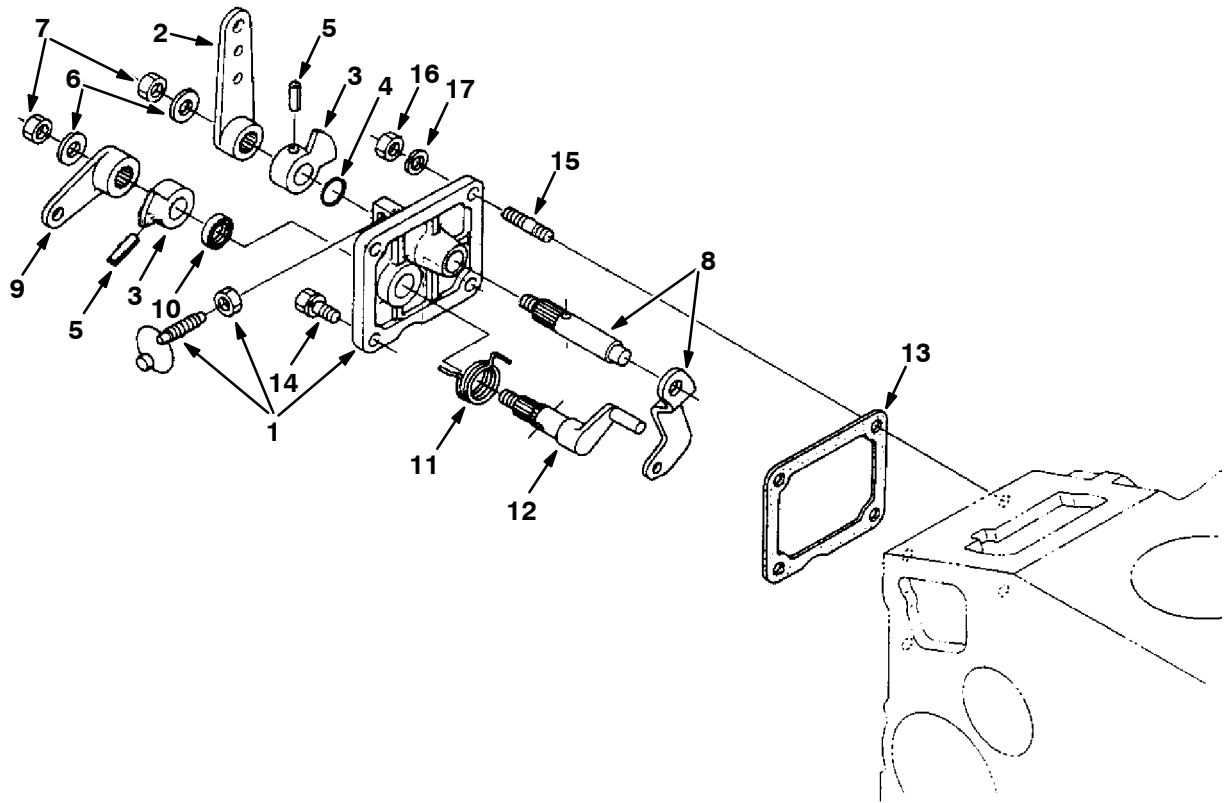
Fig. 18 - Idling Group



07443 - M20, D

Ref.	Part No.	Description	Qty.	
▽	1	70980	Assembly Apparatus, Idle	1
▲	2	73605	Assembly Bolt, Adjusting	1
▲	3	73606	Nut	1
▲	4	73607	Nut, Cap	1
▲	5	40166	Gasket	2
▲	6	30136	Cap	1
	7	73610	Bolt, Adjusting	1
	8	73606	Nut	1
	9	73607	Nut, Cap	1
	10	40166	Gasket	2
	11	30136	Cap	1
	12	70188	Cover	1
	13	70165	Gasket, Thrtl Blk	1
	14	39160	Bolt	2

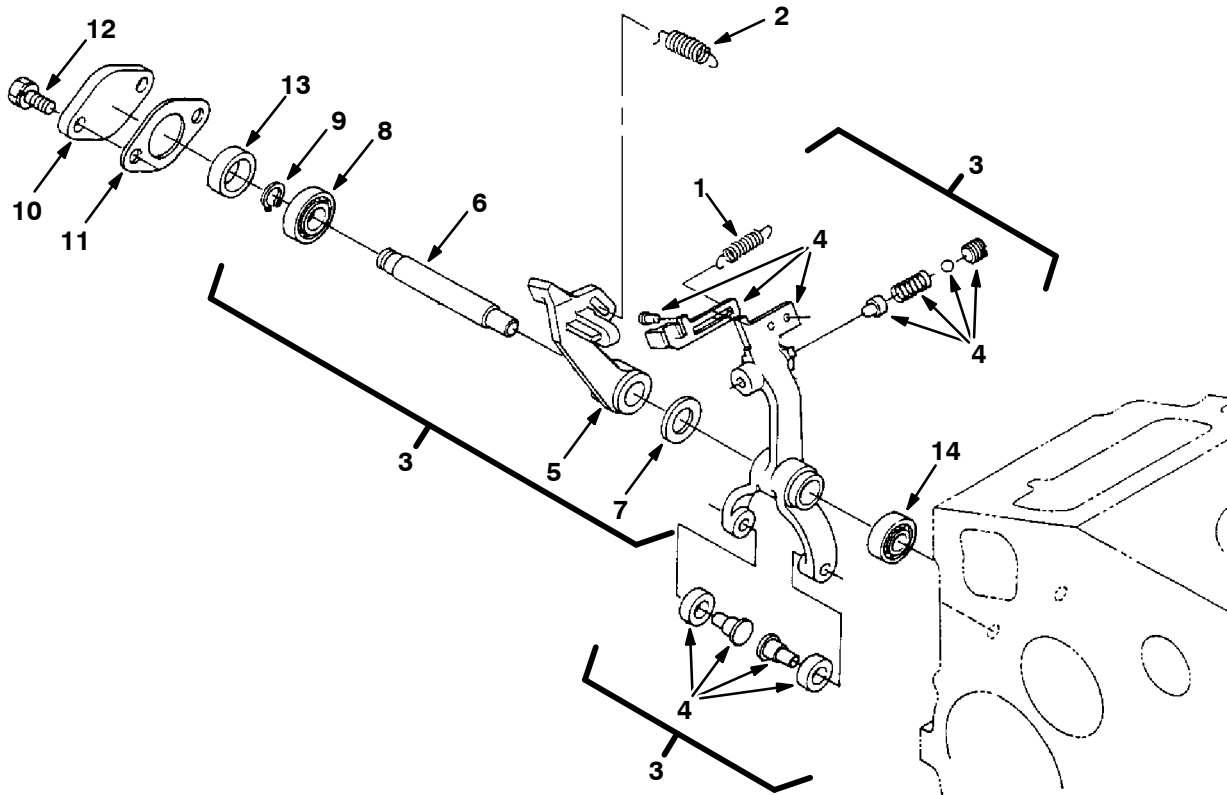
Fig. 19 - Speed Control Plate Group



07445 - M20, D

Ref.	Part No.	Description	Qty.	
▽	1	70982	Assembly Plate, Control	1
▲	2	73618	Lever, Speed Control	1
▲	3	73619	Lever, Speed Control	2
▲	4	73620	O-Ring	1
▲	5	40407	Pin, Spring	2
▲	6	73621	Washer, Plain	2
▲	7	73622	Nut	2
▲	8	73623	Comp. Lever, Governor	1
▲	9	73624	Lever, Engine Stop	1
▲	10	70983	Seal, Oil	1
▲	11	73625	Spring, Return	1
▲	12	73626	Shaft, Stop Lever	1
	13	70984	Gasket	1
	14	41973	Bolt	2
	15	72018	Stud	2
	16	39121	Nut	2
	17	39065	Washer, Spring	2

Fig. 20 - Governor Group

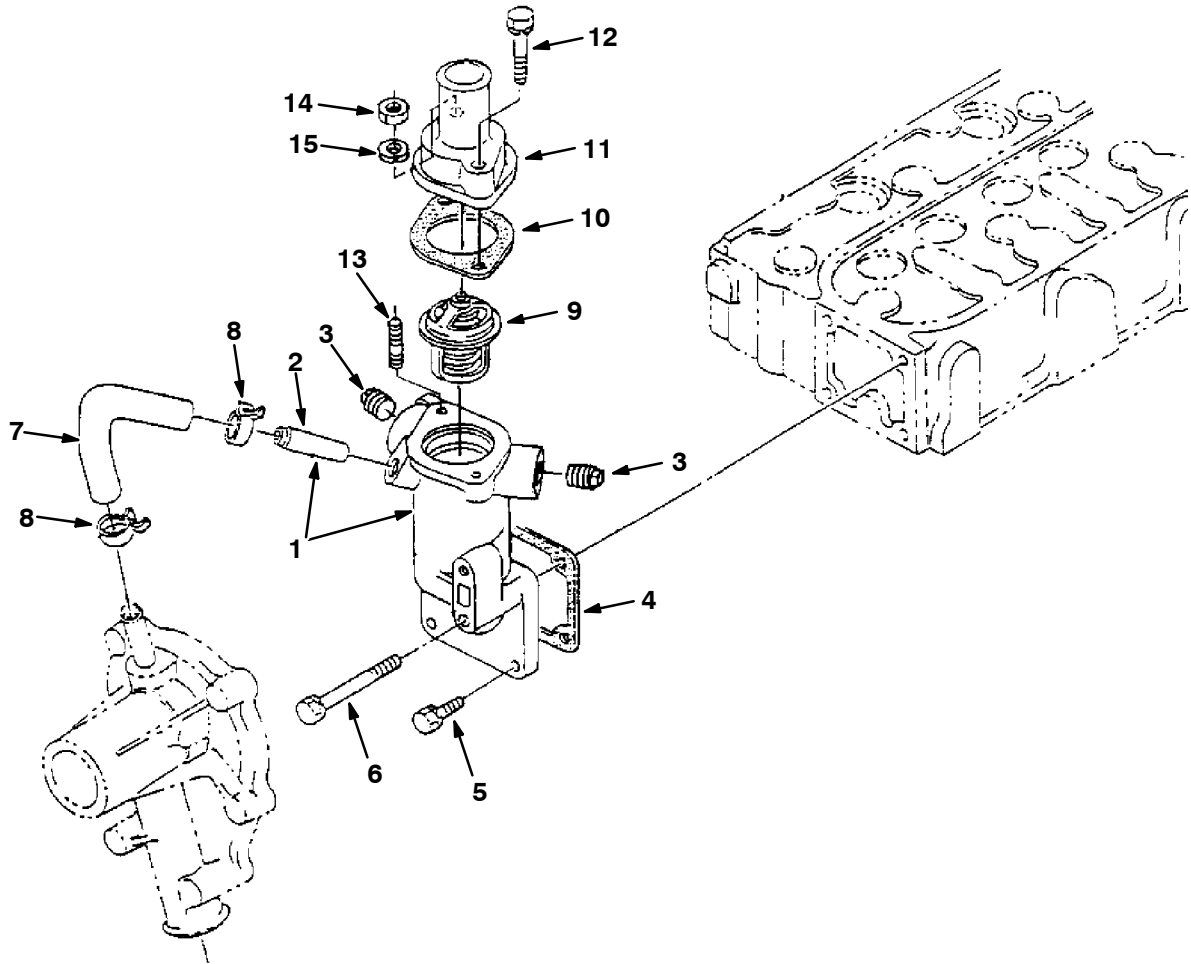


07447 - M20, D

Ref.	Part No.	Description	Qty.
1	70985	Spring, Start	1
2	70986	Spring, Governor	1
▽ 3	73627	Assembly Lever, Fork	1
▲ 4	70987	Comp. Lever, Fork 1	1
▲ 5	73628	Lever, Fork 2	1
▲ 6	73629	Shaft, Fork Lever	1
▲ 7	70988	Washer, Plain	1
▲ 8	70989	Bearing, Ball	1
▲ 9	73630	Cir-clip, External	1
10	73631	Cover, Fork Lever Shaft	1
11	361430	Gasket	1
12	39160	Bolt	2
13	70991	Collar 1	1
14	70992	Bearing, Ball	1



Fig. 21 - Water Flange Group



07451 - M20, D

Ref.	Part No.	Description	Qty.
▽	1 368090	Flange, Water [Ku]	1
▲	2 361440	Fitting, Pipe, Water [Ku]	1
	3 73632	Fitting, Pipe, Plug [Ku]	2
	4 70994	Gasket, Hsg, Thermostat [Ku]	1
	5 41973	Bolt, Hex [Ku]	3
	6 72995	Screw, Hex [Ku]	1
	7 73633	Hose, Water [Ku]	1
	8 73634	Clamp, Hose, Heater [Ku]	2
	9 10852	Thermostat, 180deg, 1.7d [Ku]	1
	10 10851	Gasket	1
	11 368091	Housing, Thermostat [Ku]	1
	12 72996	Screw, Hex [Ku]	1
	13 73636	Stud	1
	14 39121	Nut, Hex [Ku]	1
	15 39065	Washer, Lock, Split [Ku]	2



## SECTION 6

<b>Contents</b>	<b>Page</b>
Fig. 1 - Crankcase Group .....	6-2
Fig. 2 - Oil Pan Group .....	6-4
Fig. 3 - Cylinder Head Group .....	6-5
Fig. 4 - Gear Case Group .....	6-6
Fig. 5 - Water Pump Group .....	6-8
Fig. 6 - Main Bearing Case Group .....	6-9
Fig. 7 - Head Cover Group .....	6-10
Fig. 8 - Manifold Group .....	6-11
Fig. 9 - Valve, Rocker Arm Group .....	6-12
Fig. 10 - Fuel Camshaft Group .....	6-13
Fig. 11 - Camshaft Group .....	6-14
Fig. 12 - Piston and Crankshaft Group .....	6-16
Fig. 13 - Flywheel Group .....	6-18
Fig. 14 - Starter Breakdown, 74405 .....	6-19
Fig. 15 - Nozzle Holder and Glow Plug Group .	6-20
Fig. 16 - Nozzle Holder Breakdown .....	6-21
Fig. 17 - Injection Pump Group .....	6-22
Fig. 18 - Injection Pump Breakdown .....	6-24
Fig. 19 - Idling Group .....	6-26
Fig. 20 - Speed Control Plate Group .....	6-27
Fig. 21 - Governor Group .....	6-28
Fig. 22 - Water Flange Group .....	6-29

Fig. 1 - Crankcase Group

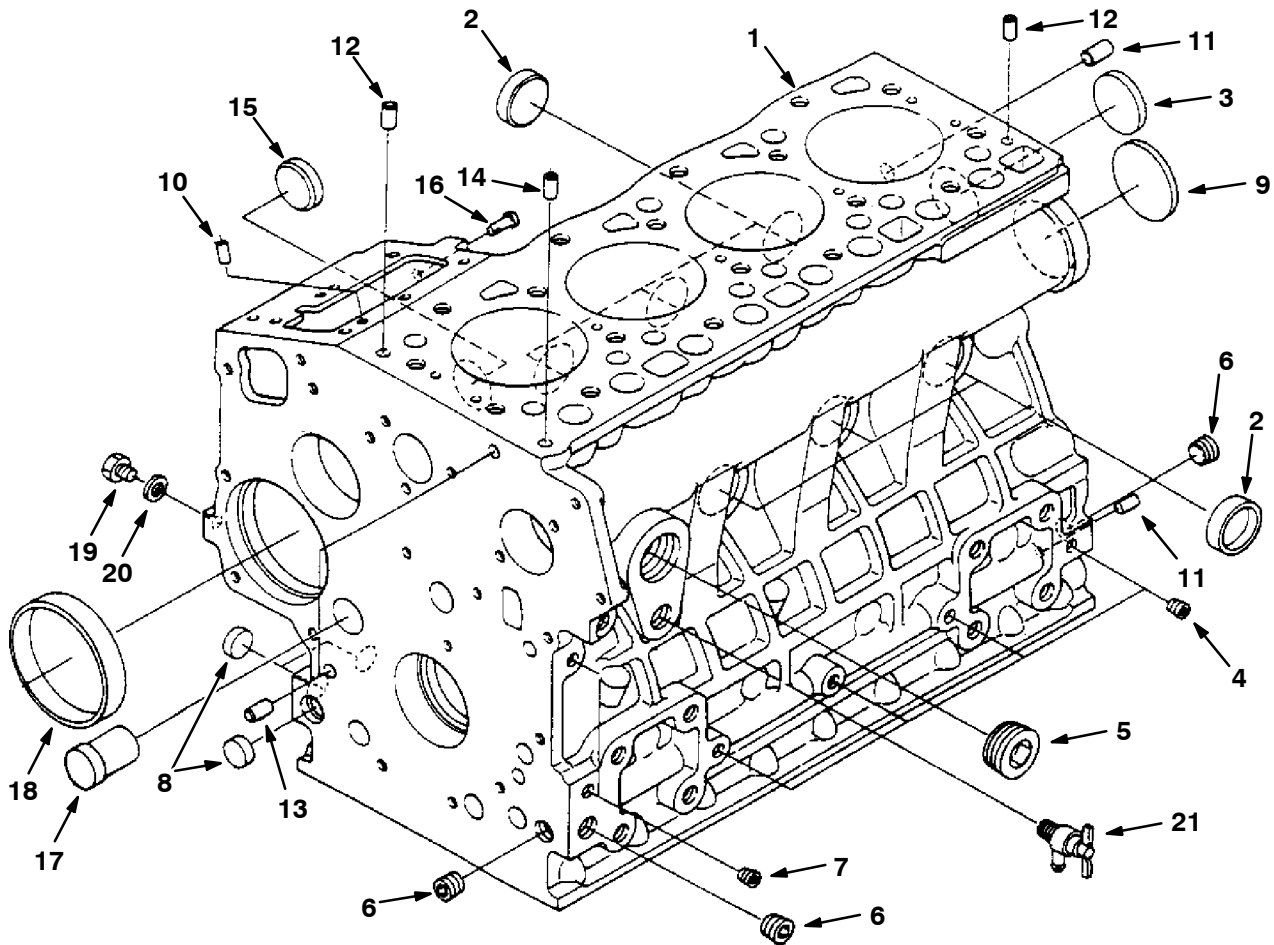
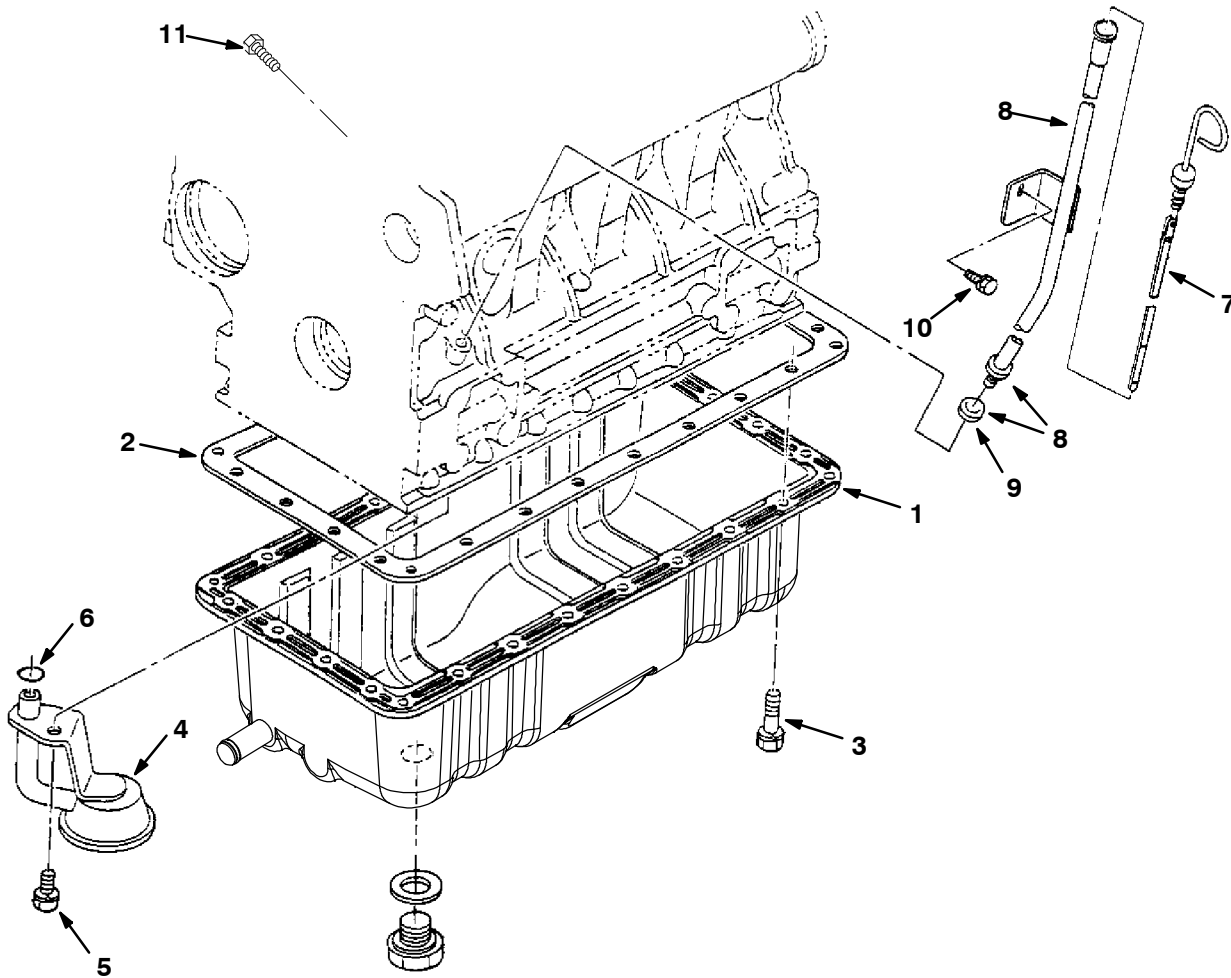


Fig. 1 - Crankcase Group

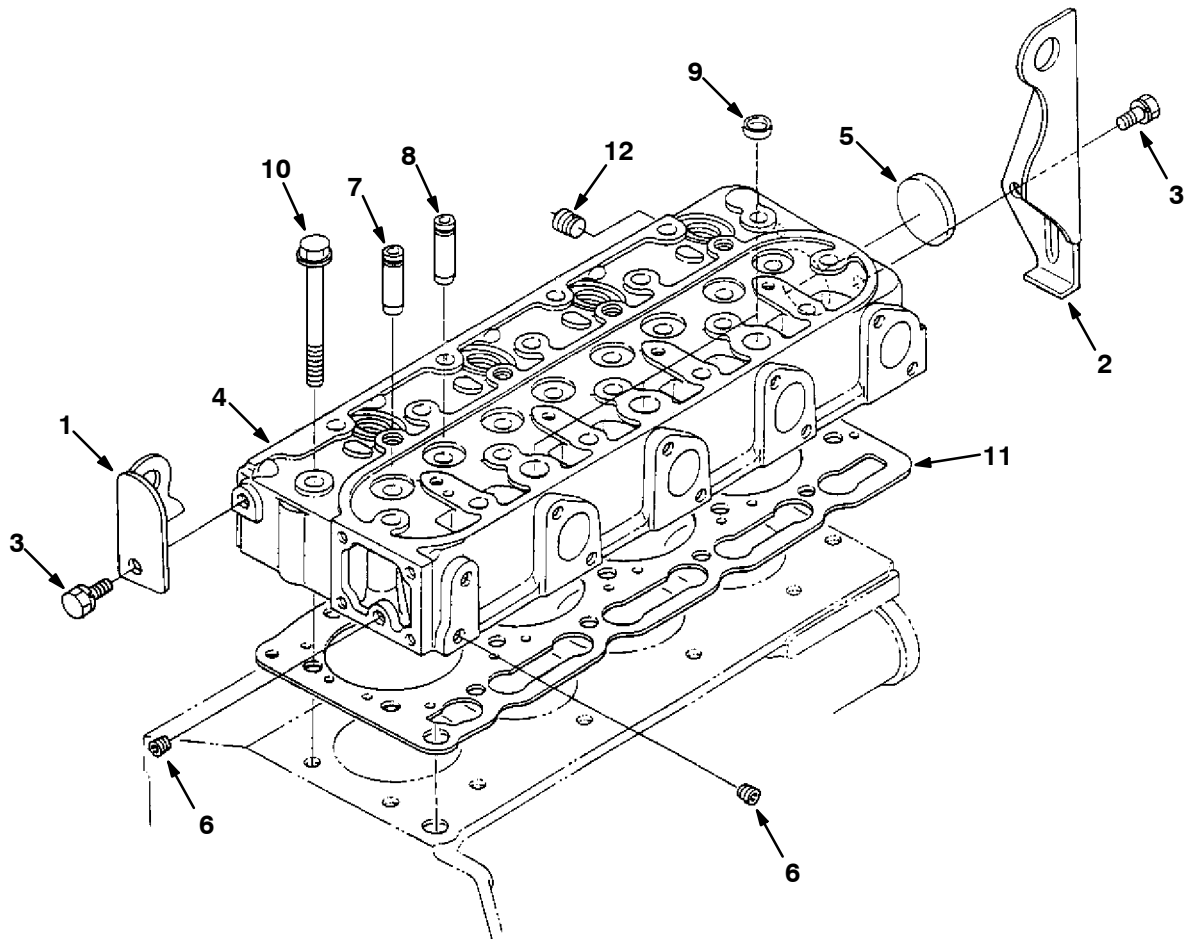
	Ref.	Part No.	Description	Qty.
▽	1	9004335	Crankcase, Complt [Ku]	1
▲	2	70998	Plug, Cup, Sealing [Ku]	6
▲	3	39087	Plug, Cup, Sealing [Ku]	1
▲	4	39088	Fitting, Pipe, Plug [Ku]	4
▲	5	70999	Plug, Eng [Ku]	1
▲	6	71985	Fitting, Pipe, Plug [Ku]	3
▲	7	39051	Fitting, Pipe, Plug [Ku]	2
▲	8	361436	Plug, Cup, Sealing [Ku]	3
▲	9	71986	Plug, Cup, Sealing [Ku]	1
▲	10	71987	Pin, Dowel [Ku]	2
▲	11	71988	Pin, Dowel [Ku]	2
▲	12	9004431	Pin, Straight [Ku]	2
▲	13	71990	Pin, Eng [Ku]	2
▲	14	71991	Tube, Pin [Ku]	1
▲	15	71992	Plug, Cup, Sealing [Ku]	1
▲	16	9004337	Pin, Start, Spring	1
▲	17	71993	Plug, Eng [Ku]	1
▲	18	70887	Bushing, Gear, Gov [Ku]	1
▲	19	39062	Fitting, Plug [Ku]	1
▲	20	393570	Gasket	1
	21	70888	Fitting, Draincock [Ku]	1

Fig. 2 - Oil Pan Group



Ref.	Part No.	Description	Qty.
1	1023144	Pan, Oil, Dsl	1
2	70889	Gasket, Pan, Oil	1
3	9004338	Bolt [Ku]	26
4	9003888	Filter, Oil [Ku]	1
5	39094	Screw, Hex [Ku]	1
6	9004339	O-Ring [Ku]	1
7	9004435	Gauge, Oil [Ku]	1
▽ 8	361428	Dipstick, Oil [Ku]	1
▲ 9	361366	Seal, Org [Ku]	1
10	39073	Screw, Hex [Ku]	1
	66187	Gasket Set	1
11	9004348	Plug, Gauge, Oil [Ku]	1

Fig. 3 - Cylinder Head Group



Ref.	Part No.	Description	Qty.	
	1	71996	Ear, Lifting, Eng [Ku]	1
	2	71997	Ear, Lifting, Eng [Ku]	1
	3	39073	Screw, Hex [Ku]	2
▽	4	9004340	Head, Cylinder [Ku]	1
▲	5	393504	Cap, Sealing	1
▲	6	39088	Fitting, Pipe, Plug [Ku]	2
▲	7	372906	Guide, Valve, Inlet	4
▲	8	372907	Guide, Valve, Exhaust	4
▲	9	361372	Plug, Cup, Sealing [Ku]	3
	10	70897	Screw, Hex, Head, Cyl [Ku]	18
	11	9004341	Gasket, Head, Cyl [Ku]	1
		66194	Gasket Set, Upper	1
	12	72010	Fitting, Pipe, Plug [Ku]	1

Fig. 4 - Gear Case Group

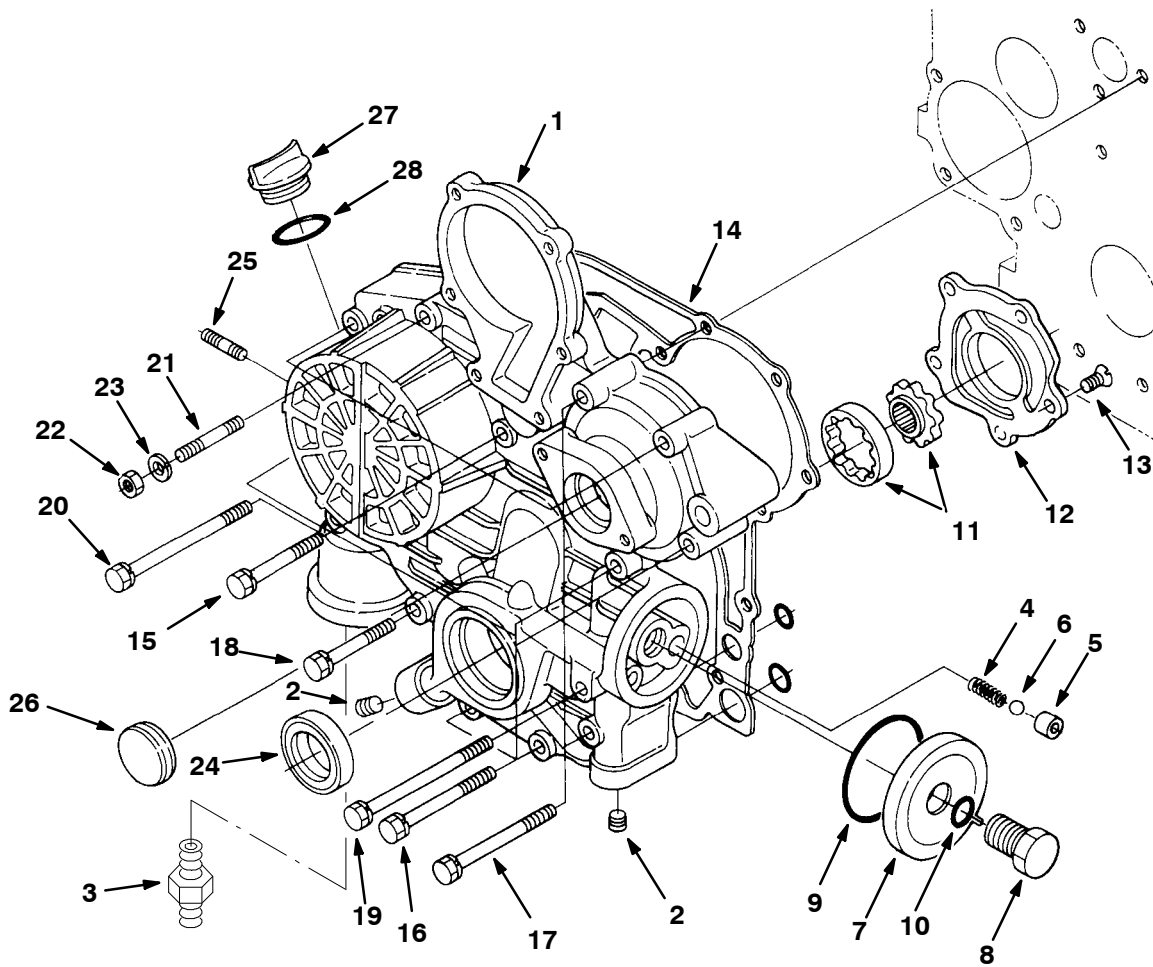
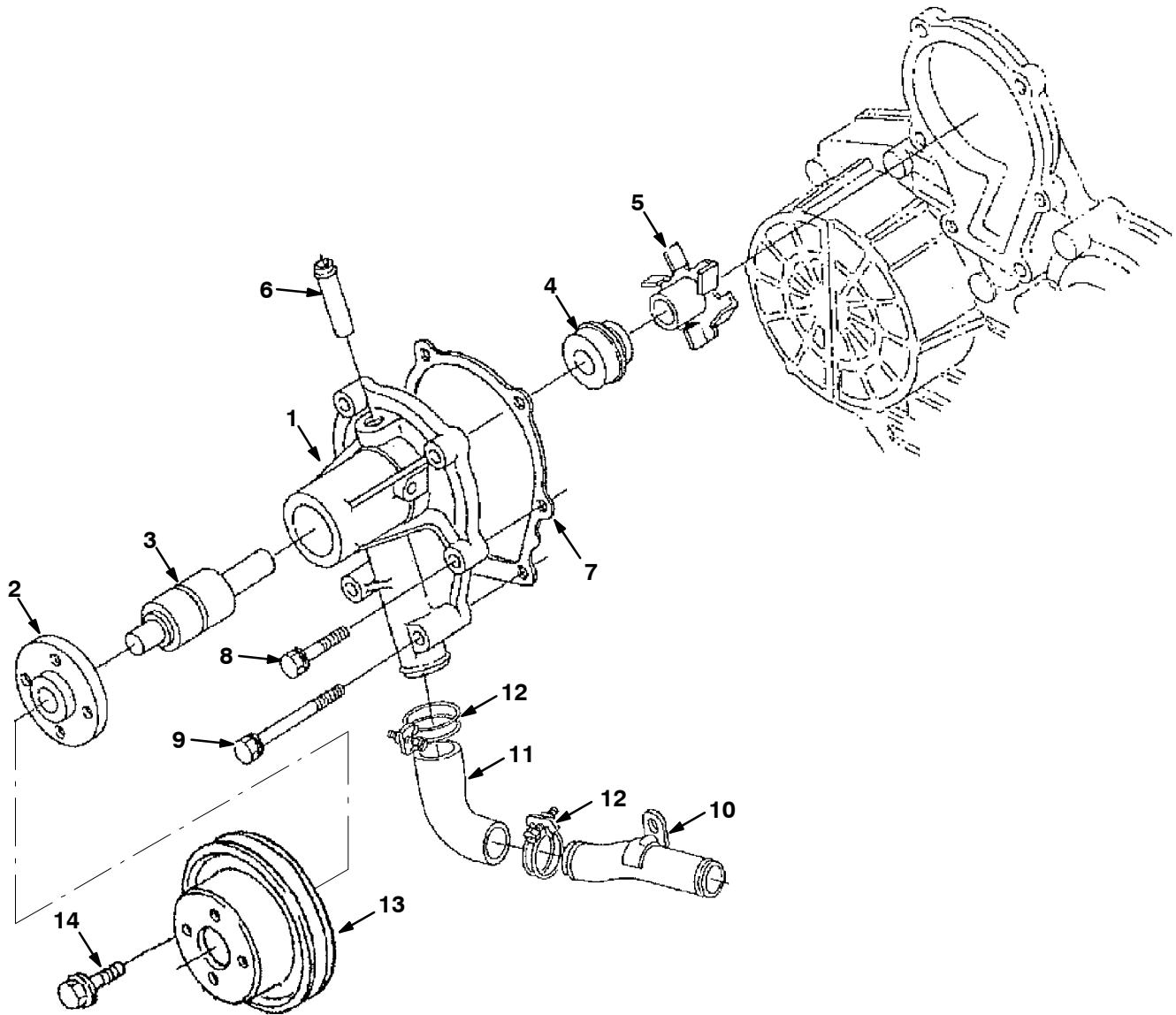




Fig. 4 - Gear Case Group

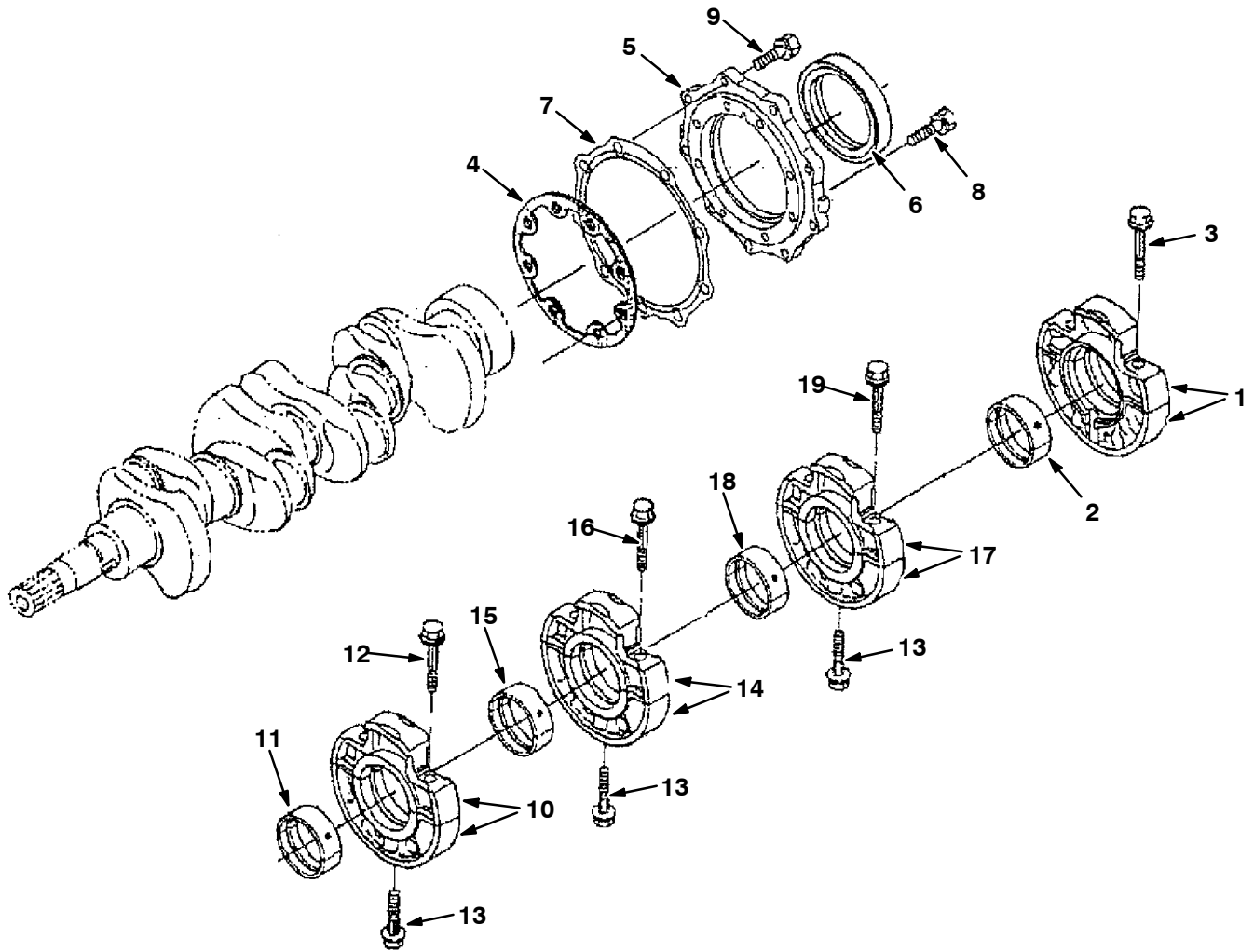
	Ref.	Part No.	Description	Qty.
▽	1	9004432	Crankcase, Comp [Ku]	1
▲	2	361401	Fitting, Pipe, Plug [Ku]	5
▲	3	12916	Fitting, Fltr, Oil [Ku]	1
▲	4	70900	Spring, Cmpr, Relief [Ku]	1
▲	5	70901	Tube, Seat, Valve, Oil [Ku]	1
▲	6	70902	Ball, Relief, Oil [Ku]	1
▲	7	70905	Cover	1
▲	8	70906	Bolt	1
▲	9	70907	Seal, Org [Ku]	1
▲	10	70911	Seal, Org	1
▲	11	70903	Pump, Oil, Eng [Ku]	1
▲	12	70904	Cover, Pump, Oil	1
	13	72013	Screw, Flt [Ku]	5
	14	70912	Gasket, Case, Gear [Ku]	1
	15	72993	Screw, Hex [Ku]	3
	16	384872	Bolt	4
	17	72994	Screw, Hex [Ku]	2
	18	72014	Screw, Hex [Ku]	1
	19	72015	Screw, Hex [Ku]	2
	20	72016	Bolt	1
	21	9004346	Stud [Ku]	1
	22	39121	Nut, Hex [Ku]	1
	23	39065	Washer, Lock, Split [Ku]	1
	24	361389	Seal, Oil, Front [Ku]	1
	25	9004347	Stud [Ku]	2
	26	72019	Cover	1
	27	361374	Cap, Filler, Oil [Ku]	1
	28	70913	Seal, Org	1

Fig. 5 - Water Pump Group



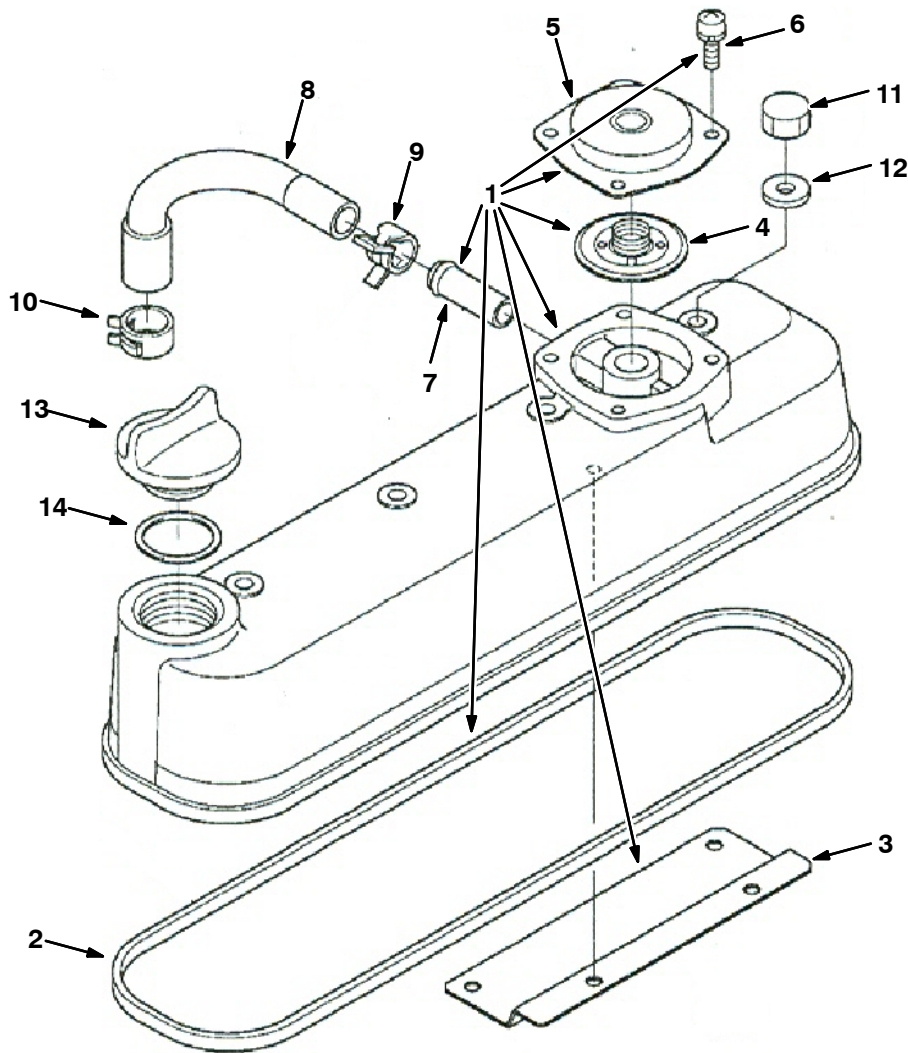
Ref.	Part No.	Description	Qty.	
▽	1	9004402	Pump, Water Assy [Ku]	1
▲	2	70919	Flange, Pump, Water [Ku]	1
▲	3	9004403	Bearing [Ku]	1
▲	4	9004404	Seal, Mechanical Assy [Ku]	1
▲	5	9004405	Impeller, Pump, Water [Ku]	1
▲	6	361440	Fitting, Pipe, Water [Ku]	1
▲	7	70920	Gasket, Pump, Water [Ku]	1
	8	9004406	Bolt [Ku]	4
	9	9004407	Bolt [Ku]	2
	10	9003868	Pipe, Water [Kubota]	1
	11	9003869	Pipe, Water [Kubota]	1
	12	9003870	Clamp [Kubota]	2
	13	55847	Sheave, Fan [Ku]	1
	14	393588	Bolt, Flng	4

Fig. 6 - Main Bearing Case Group



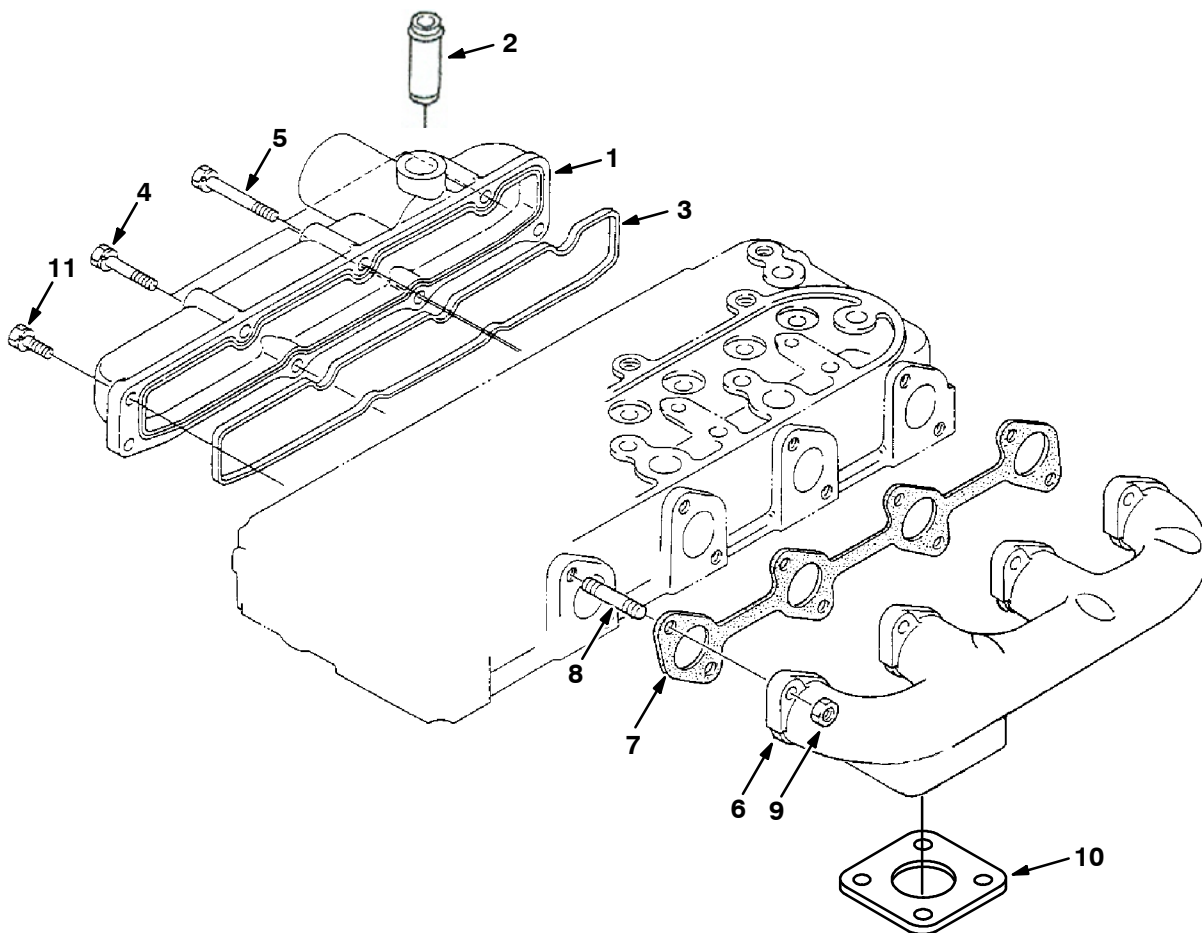
Ref.	Part No.	Description	Qty.	
▽	1	9004349	Bearing, Case [Ku]	1
▲	2	9004436	Crankshaft, Metal [Ku]	1
▲	3	72998	Screw, Hex, Case, Brg, Main [Ku]	2
	4	9004350	Gasket, Bearing, Case [Ku]	1
	5	70923	Cover, Brg Case, Eng [Ku]	1
	6	70924	Seal, Oil, Rear [Ku]	1
	7	70925	Gasket, Case, Gear [Ku]	1
	8	384871	Bolt	8
	9	371017	Bolt	9
▽	10	9004437	Case, Main, Brg Assy	1
▲	11	70948	Bearing, Cshft, Std [Ku]	1
▲	12	72998	Screw, Hex, Case, Brg, Main [Ku]	2
	13	73479	Screw, Hex, Case, Brg, Main [Ku]	3
▽	14	9004438	Case, Main, Brg Assy	1
▲	15	70948	Bearing, Cshft, Std [Ku]	1
▲	16	72998	Screw, Hex, Case, Brg, Main [Ku]	2
▽	17	9004439	Case, Main, Brg Assy	1
▲	18	70948	Bearing, Cshft, Std [Ku]	1
▲	19	72998	Screw, Hex, Case, Brg, Main [Ku]	2

Fig. 7 - Head Cover Group



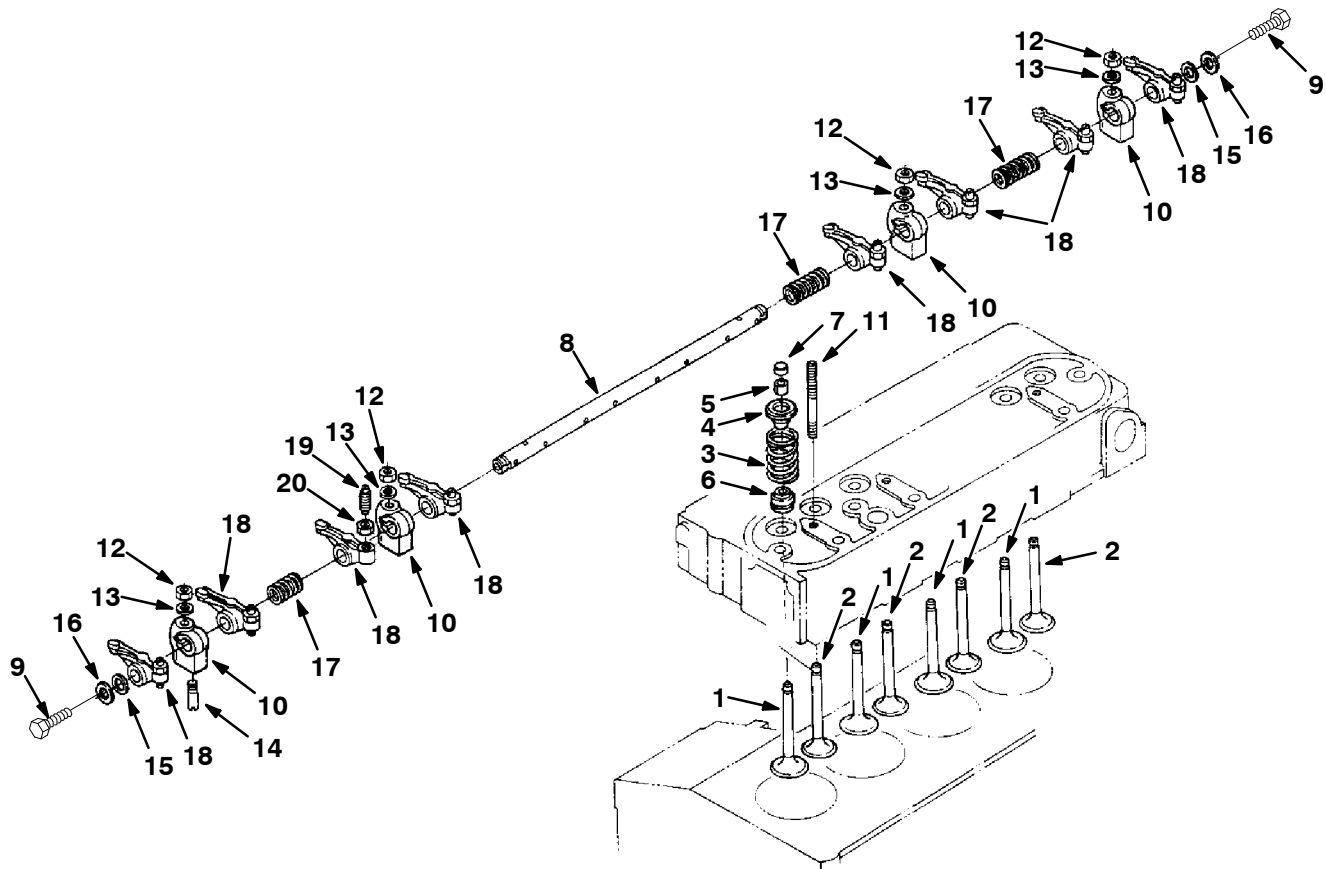
Ref.	Part No.	Description	Qty.	
▽	1	9004433	Cover, Cyl Head Assy [Ku]	1
▲	2	70929	Gasket, Cover, Head, Cyl [Ku]	1
▲	3	372912	Shield, Breather	1
▲	4	372928	Valve, Breather, Complt	1
▲	5	384874	Cover, Breather	1
▲	6	73482	Screw, Hex, W/ Washer [Ku]	4
▲	7	30125	Pipe, Water	1
	8	372913	Tube, Breather	1
	9	372901	Clamp, Hose	1
	10	372904	Clamp, Hose	1
	11	73483	Nut, Hex, Cap	4
	12	73484	Gasket, F/ Bolt [Ku]	4
	13	361374	Cap, Filler, Oil [Ku]	1
	14	70913	Seal, Org	1

Fig. 8 - Manifold Group



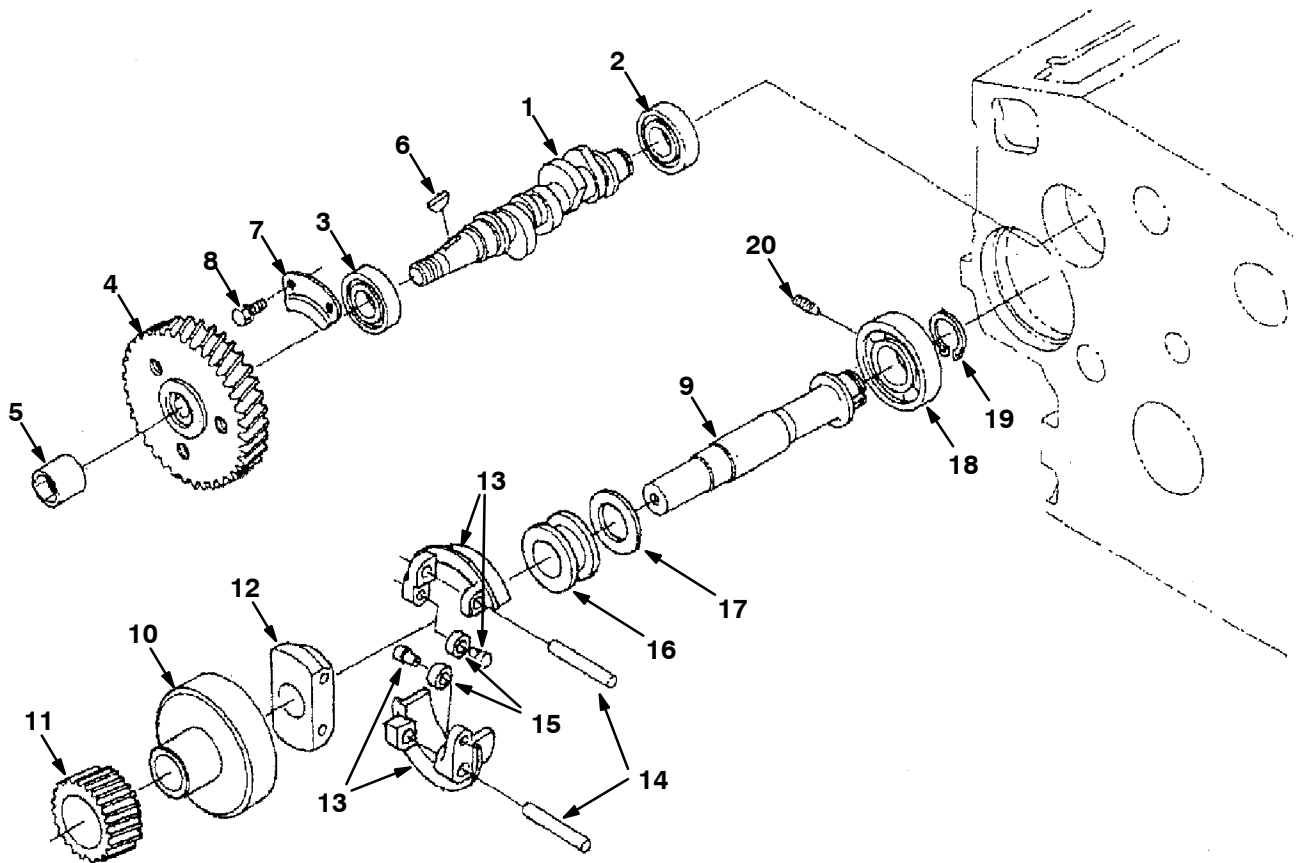
	Ref.	Part No.	Description	Qty.
▽	1	372905	Manifold Assy, Inlet	1
▲	2	73481	Pipe, Breather [Ku]	1
▲	3	70934	Gasket, Manifold, Intake [Ku]	1
	4	9004406	Bolt [Ku]	2
	5	384872	Bolt	3
	6	73487	Manifold, Exhaust [Ku]	1
	7	70935	Gasket, Manifold, Exhaust	1
	8	73488	Stud [Ku]	8
	9	73489	Nut	8
	10	51332	Gasket [Ku]	1
	11	40409	Screw, Hex [Ku]	3

Fig. 9 - Valve, Rocker Arm Group



Ref.	Part No.	Description	Qty.	
1	70936	Valve, Intake [Ku]	4	
2	70937	Valve, Exhaust [Ku]	4	
3	73491	Spring, Valve [Ku]	8	
4	73492	Retainer, Spring, Valve [Ku]	8	
5	73493	Retainer, Spring [Ku]	8	
6	73494	Seal, Stem, Valve [Ku]	8	
7	361392	Cap, Valve [Ku]	8	
8	9004409	Shaft, Rocker, Arm [Ku]	1	
9	393598	Bolt	2	
10	73497	Bracket, Mtg, Rocker Arm [Ku]	4	
11	73498	Stud [Ku]	4	
12	73499	Nut, Hex [Ku]	4	
13	73500	Washer, Flat [Ku]	4	
14	9004410	Pin, Spring [Ku]	1	
15	73502	Washer, Shaft, Rocker [Ku]	2	
16	361589	Washer, Flat [Ku]	2	
17	73504	Spring, Cmpr, Rocker [Ku]	3	
▽	18	73506	Arm, Rocker [Ku]	8
▲	19	73507	Screw, Adj, Rocker Arm [Ku]	8
▲	20	73508	Nut, Hex [Ku]	8

Fig. 10 - Fuel Camshaft Group



Ref.	Part No.	Description	Qty.	
1	84636	Camshaft	1	
2	9004368	Bearing, Ball [Ku]	1	
3	9004369	Bearing, Ball [Ku]	1	
4	9004445	Gear, Injection, Pump [Ku]	1	
5	73593	Nut, Cap, Cam [Ku]	1	
6	73594	Key, Woodruff [Ku]	1	
7	73596	Stopper, Fuel [Ku]	1	
8	41973	Bolt, Hex [Ku]	2	
▽	73597	Shaft, Govnr	1	
▲	9	9004371	Shaft, Governor [Ku]	1
▲	10	73598	Holder, Gear [Ku]	1
▲	11	73599	Gear, Govnr [Ku]	1
▲	12	73600	Holder, Govnr [Ku]	1
▲	13	73601	Weight, Comp, Govnr [Ku]	2
▲	14	73602	Shaft, Govnr [Ku]	2
▲	15	9004372	Shaft, Governor, Weight [Ku]	2
▲	16	70977	Sleeve, Govnr [Ku]	1
▲	17	70978	Washer, Thrust [Ku]	1
18	9004373	Bearing, Ball [Ku]	1	
19	73603	Ring, Snap [Ku]	1	
20	73604	Screw, Set [Ku]	1	

Fig. 11 - Camshaft Group

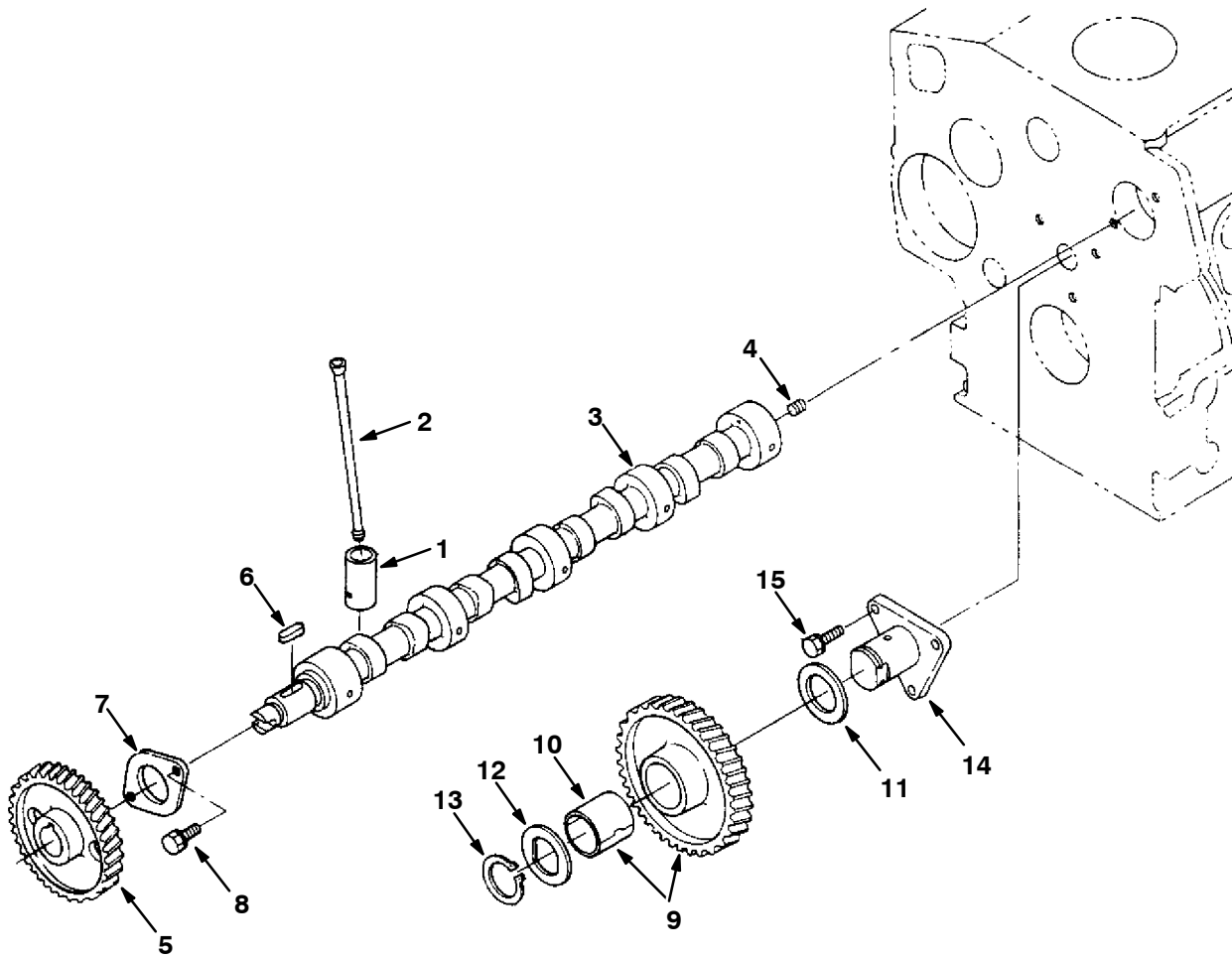




Fig. 11 - Camshaft Group

Ref.	Part No.	Description	Qty.	
	1	9004358	Tappet [Ku]	8
	2	73509	Rod, Push, Valve [Ku]	8
▽	3	9004440	Crankshaft Assy	1
▲	4	39197	Screw, Set [Ku]	1
▲	5	73511	Gear, Camshaft [Ku]	1
▲	6	73512	Key [Ku]	1
▲	7	73513	Stopper, Cam [Ku]	1
▲	8	41973	Bolt, Hex [Ku]	2
▽	9	73514	Gear, Idler, Cam [Ku]	1
▲	10	73515	Bushing, Gear, Idler [Ku]	1
	11	73516	Collar, Gear [Ku]	1
	12	73517	Washer, Collar, Gear [Ku]	1
	13	73518	Ring, Snap [Ku]	1
	14	73519	Shaft, Idler, Gear [Ku]	1
	15	41973	Bolt, Hex [Ku]	3

Fig. 12 - Piston and Crankshaft Group

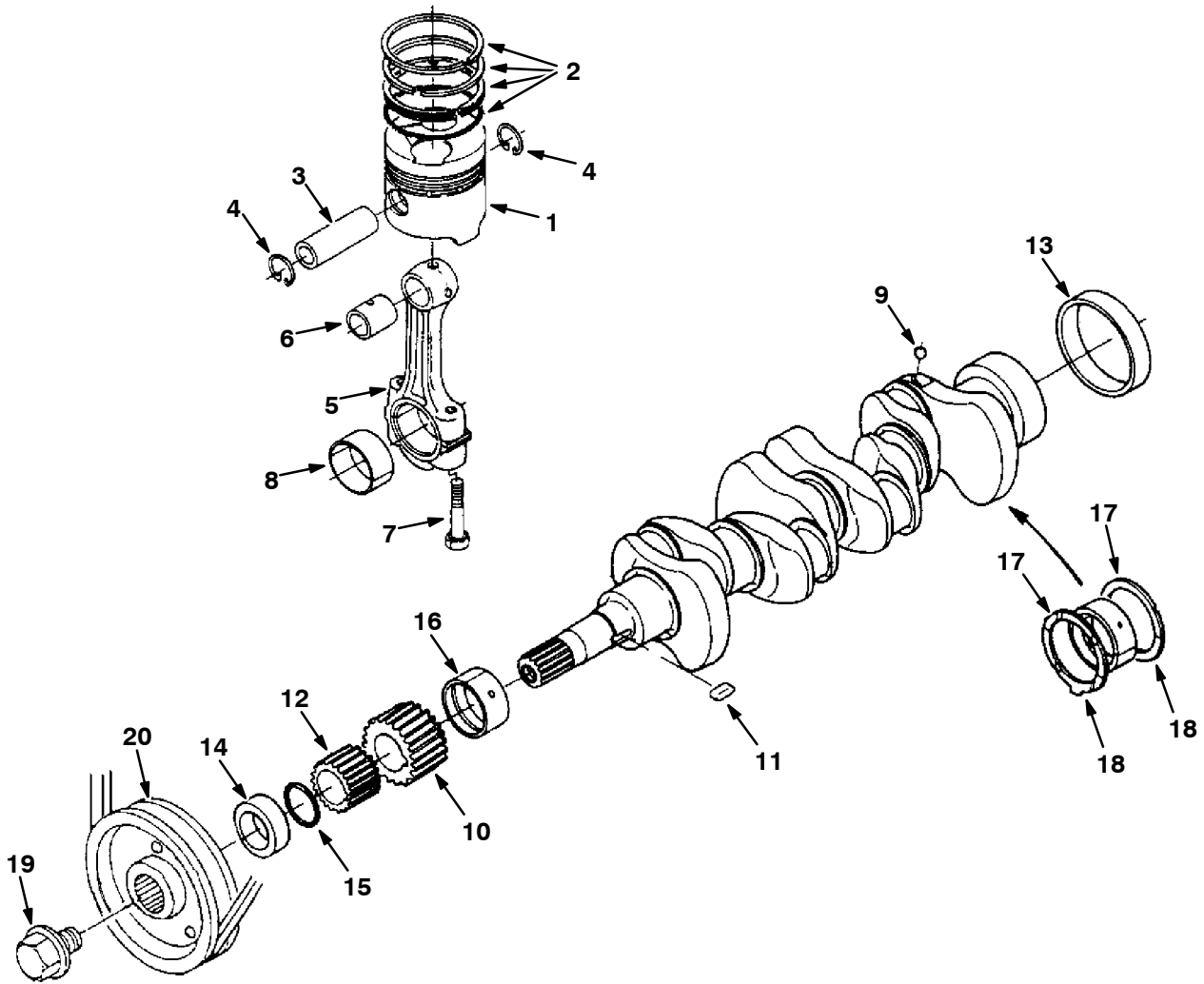
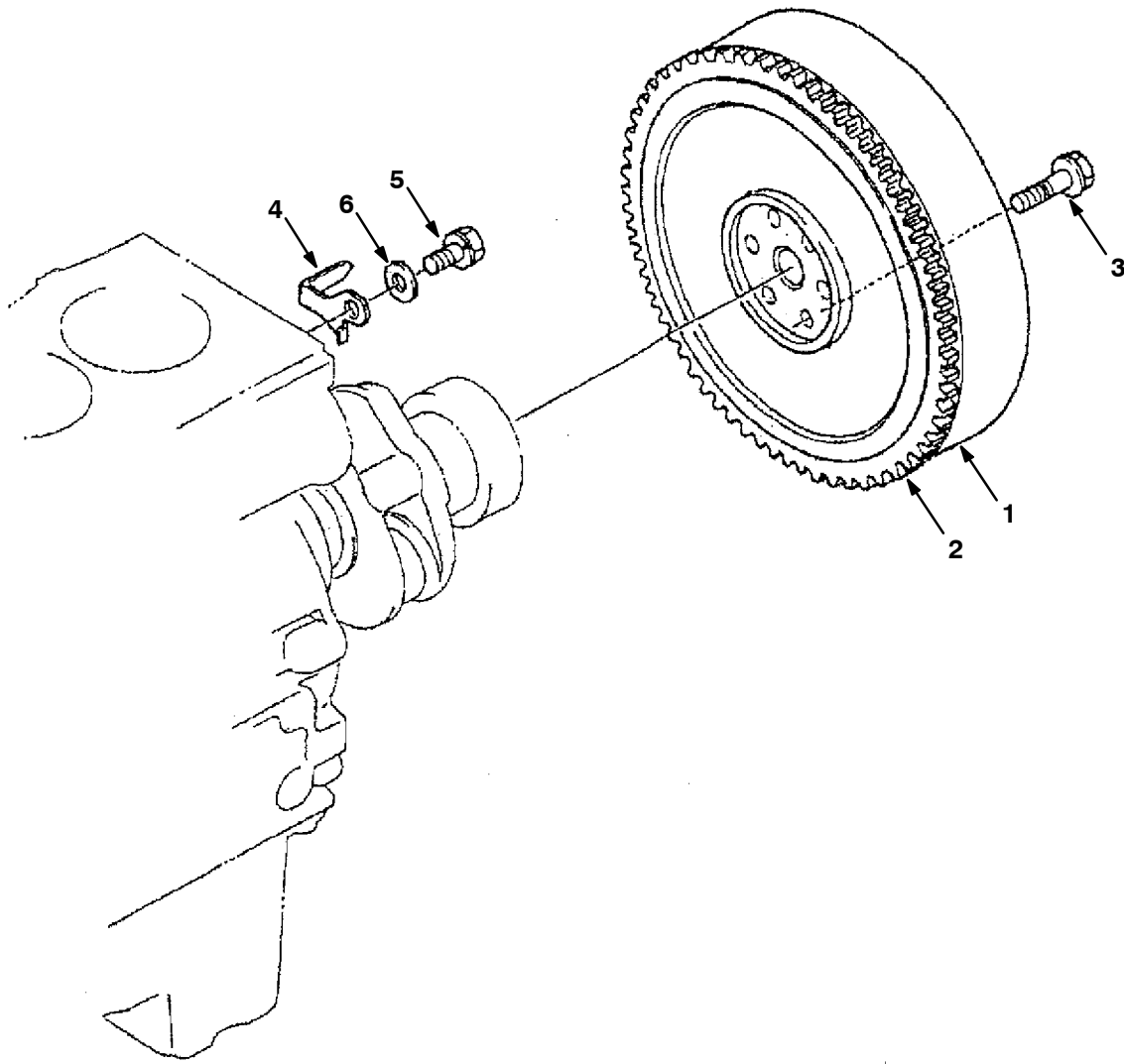


Fig. 12 - Piston and Crankshaft Group

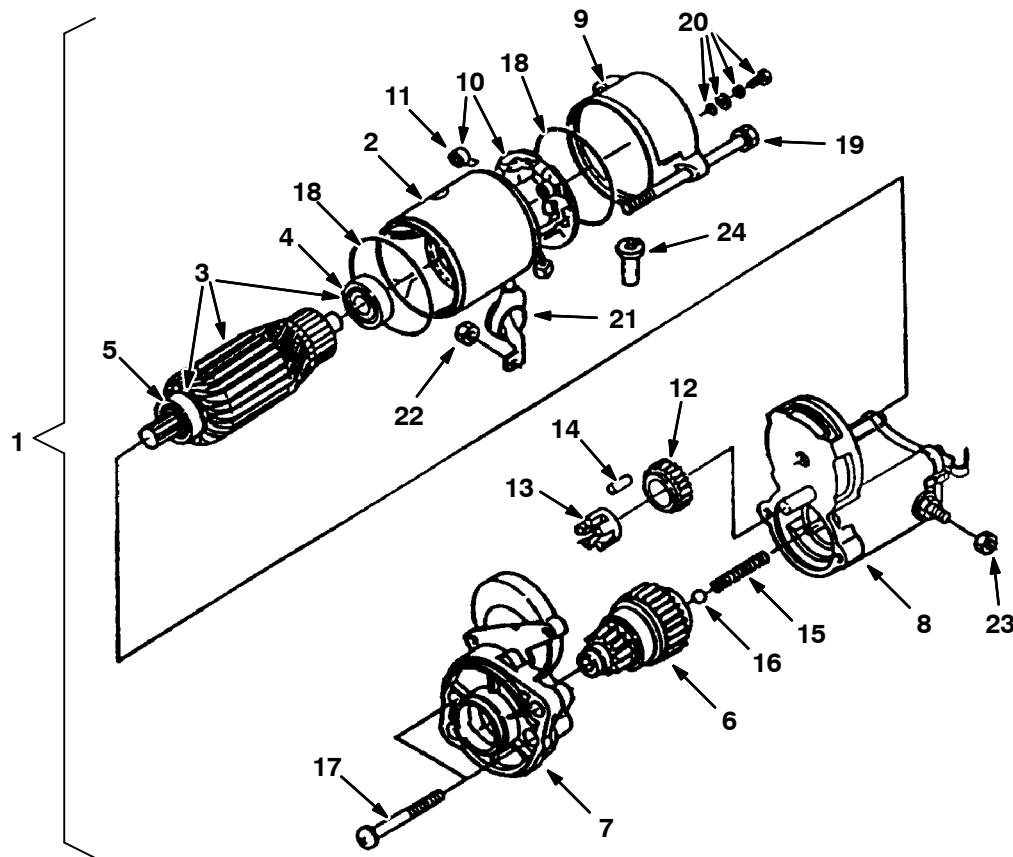
Ref.	Part No.	Description	Qty.	
	1	73520	Piston, Eng [Ku]	4
	1	73521	Piston, Eng [Ku]	4
	2	9004361	Ring, Piston Assy [Ku]	4
	2	9004441	Piston, Ring Assy [Ku]	4
	3	73522	Pin, Piston [Ku]	4
	4	73523	Ring, Snap, Piston [Ku]	8
▽	5	73524	Rod Assy, Connecting [Ku]	4
▲	6	361395	Bushing, Pin, Piston [Ku]16241-21351	4
▲	7	73525	Screw, Rod, Connecting [Ku]	8
▲	8	70941	Bearing, Rod, Connecting, Std [Ku]	4
▲	8	66204	Bearing, Rod, Connecting [-.2mm, Ku]	4
▲	8	66207	Bearing, Rod, Connecting [-.4mm, Ku]	4
▽		73526	Crankshaft	1
▲	9	73527	Ball, Cshft [Ku]	4
▲	10	73528	Gear, Cshft [Ku]	1
▲	11	73529	Key [Ku]	1
▲	12	73530	Gear, Pump, Oil [Ku]	1
▲	13	70942	Bearing, Cshft [Ku]	1
	14	70943	Collar, Crank, Front [Ku]	1
	15	9004363	Ring [Ku]	1
	16	70945	Bearing, Cshft, Std [Ku]	1
	16	70946	Bearing, Cshft, -.2mm [Ku]	1
	16	70947	Bearing, Cshft [Ku]	1
	17	10844	Bearing, Thrust, Std [Ku]	2
	17	70954	Bearing, Thrust [Ku]	2
	17	70955	Bearing, Thrust [-.4mm, Ku]	2
	18	10845	Bearing, Thrust, Std [Ku]	2
	19	73532	Screw, Hex, Cshft [Ku]	2
	20	393400	Sheave, Cshft [Ku]	2

Fig. 13 - Flywheel Group



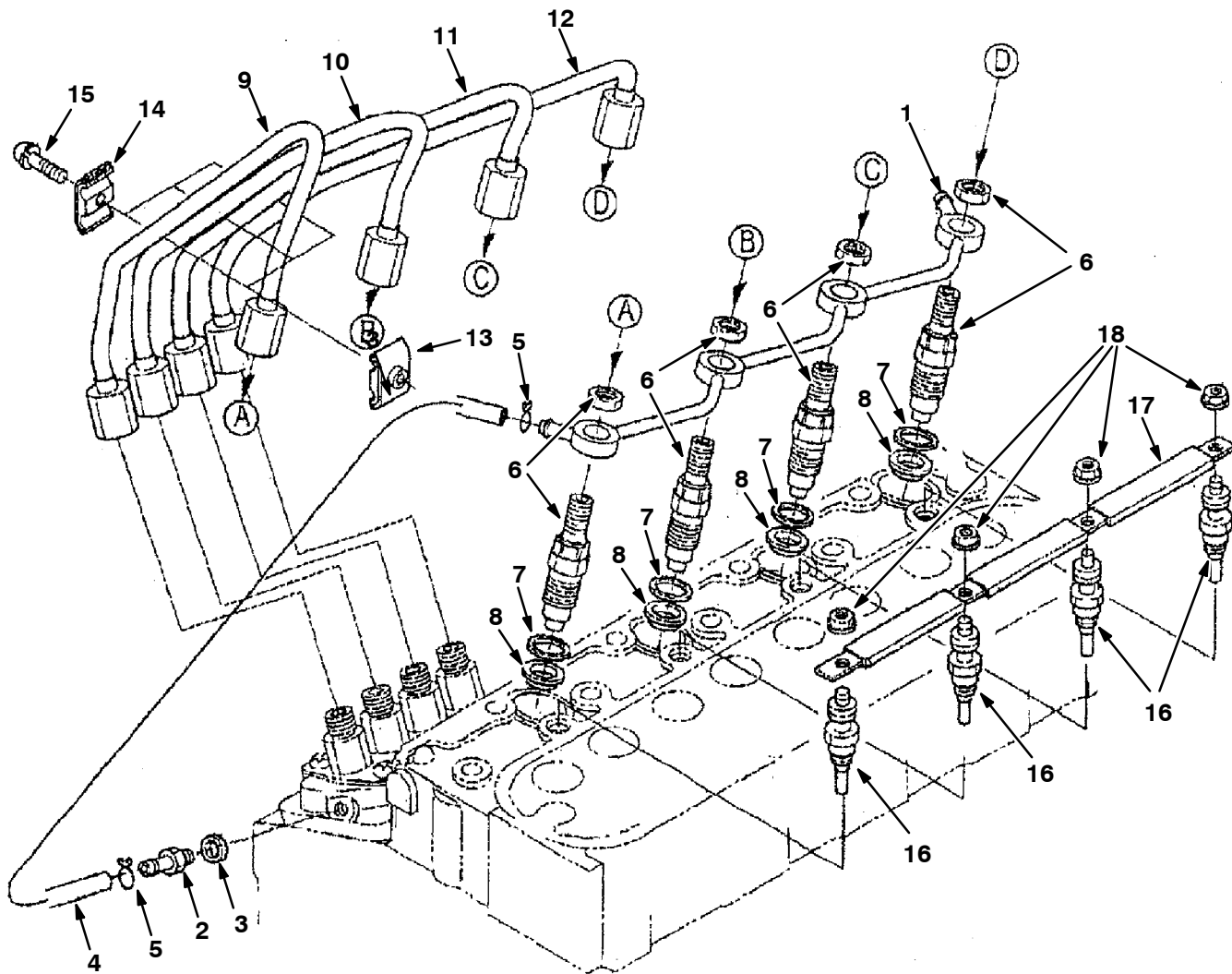
Ref.	Part No.	Description	Qty.
▽	1 70956	Flywheel	1
▲	2 9004442	Gear, Ring [Ku]	1
	3 73533	Screw, Hex, Flywheel [Ku]	6
	4 9003891	Indicator, Timing [Ku]	1
	5 9004443	Bolt [Ku]	1
	6 9004444	Washer, Plain [Ku]	1

Fig. 14 - Starter Breakdown, 74405



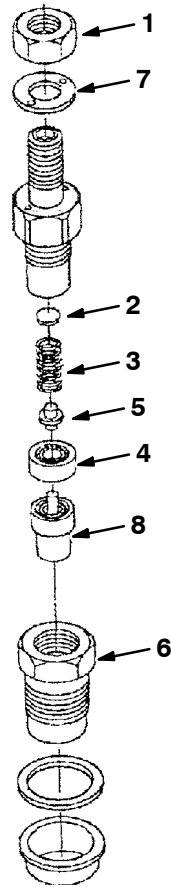
Ref.	Part No.	Description	Qty.	
▽	1	74405	Starter, 12vdc [Kubota]	1
▲	2	70196	Yoke	1
▲▽	3	70197	Armature, Motor [Ku]	1
▲▲	4	70198	Bearing	1
▲▲	5	70199	Bearing	1
▲	6	70200	Clutch	1
▲	7	70201	Frame, End, Drive	1
▲	8	70202	Switch, Magneto [Ku]	1
▲	9	70203	Frame, End	1
▲▽	10	70204	Brushholder	1
▲▲	11	70205	Spring, Brush	4
▲	12	70206	Gear	1
▲	13	70207	Retainer	1
▲	14	73545	Retainer, Gear, Starter [Ku]	5
▲	15	70208	Spring	1
▲	16	73547	Spring, Ext [Ku]	1
▲	17	70209	Bolt	2
▲	18	20433	Seal, Org	2
▲	19	70210	Bolt	2
▲	20	20432	Bolt	2
▲	21	70211	Cover	1
▲	22	73551	Nut, Hex [Ku]	1
▲	23	70212	Nut	1
▲	24	70213	Tube, Drain, Starter	1

Fig. 15 - Nozzle Holder and Glow Plug Group



Ref.	Part No.	Description	Qty.	
1	73554	Pipe, Overflow	1	
2	73555	Fitting, Fuel [Ku]	1	
3	40166	Gasket, F/ Bolt [Ku]	1	
▽	361373	Hose, Fuel [Ku]	1	
▲	4	9004389	Pipe, Fuel, Overflow [Ku]	2
▲	5	9004390	Pipe, Clip [Ku]	4
▽	6	372917	Housing Assy, Nozzle	1
▲	7	9004450	Gasket [Ku]	1
▲	8	9004451	Seal, Heat [Ku]	1
9	70965	Tube, Injector, Pipe #1 [Ku]	1	
10	70966	Tube, Injector, Pipe #2 [Ku]	1	
11	70967	Tube, Injector, Pipe #32 [Ku]	1	
12	70968	Pipe, Injector, # 4	3	
13	30131	Clamp, Tube, Inj, Pipe #1 [Ku]	3	
14	39507	Clamp, Pipe	4	
15	393566	Screw, W / Washer	1	
16	84638	Glowplug [Ku]	3	
17	73560	Cord, Ele, Glowplug	3	
18	9004393	Nut, Flange [Ku]	3	

Fig. 16 - Nozzle Holder Breakdown



Ref.	Part No.	Description	Qty.
▽	372917	Housing Assy, Nozzle	4
▲	1 9004395	Nut [Ku]	1
▲	2 9004396	Washer, Adjusting [Ku]	1
▲	3 9004397	Nozzle, Spring [Ku]	1
▲	4 388500	Spacer [Ku]	1
▲	5 9004398	Rod, Push [Ku]	1
	6 9004399	Nut, Nozzle [Ku]	1
	7 9004400	Washer, Plain [Ku]	1
	8 9004401	Nozzle [Ku]	1

Fig. 17 - Injection Pump Group

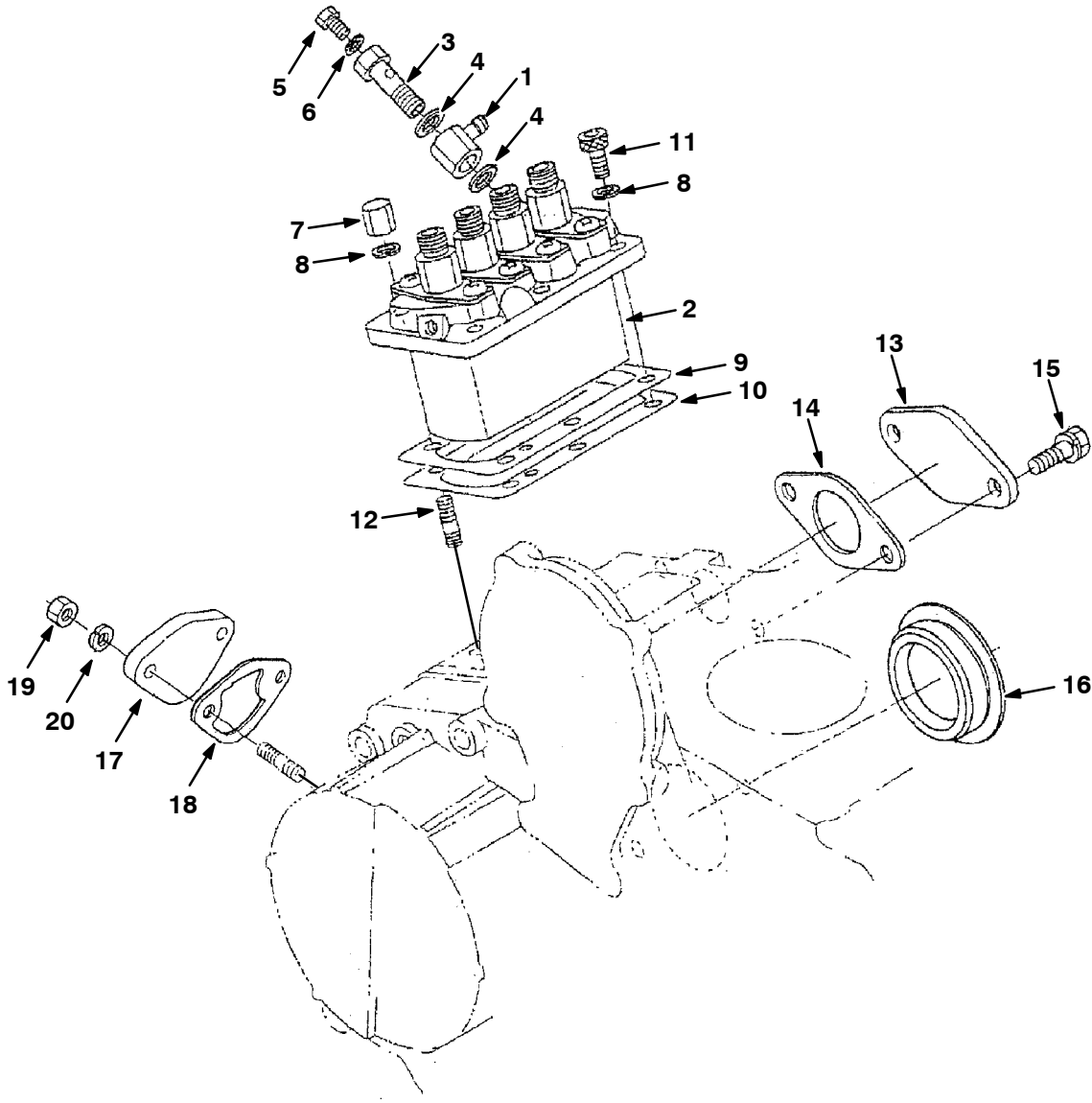




Fig. 17 - Injection Pump Group

Ref.	Part No.	Description	Qty.	
	1	9004376	Eye, Joint [Ku]	1
▽	2	84635	Pump, Injection [Kubo]	1
▲	3	84651	Follower, Screw, Pump, Injection[Ku]	1
▲	4	73588	Gasket, Ftg, Banjo [Ku]	2
▲	5	73589	Screw, Hex [Ku]	1
▲	6	73590	Gasket, F/ Screw [Ku]	1
	7	73563	Nut [Ku]	3
	8	39065	Washer, Lock, Split [Ku]	6
	9	70972	Shim	1
	9	70973	Shim	1
	10	84644	Shim, Pump, Injection	1
	11	73561	Bolt [Ku]	3
	12	73562	Stud [Ku]	3
	13	9004454	Cover, Solenoid [Ku]	1
	14	70165	Gasket, Solenoid, Throttle [Ku]	1
	15	39160	Bolt, Hex [Ku]	2
	16	70188	Cover, Hole, Pump [Ku]	1
	17	73565	Cover, Hole, Pump, Fuel [Ku]	1
	18	70974	Gasket, Pump, Fuel [Ku]	1
	19	39121	Nut, Hex [Ku]	2
	20	39065	Washer, Lock, Split [Ku]	2

Fig. 18 - Injection Pump Breakdown

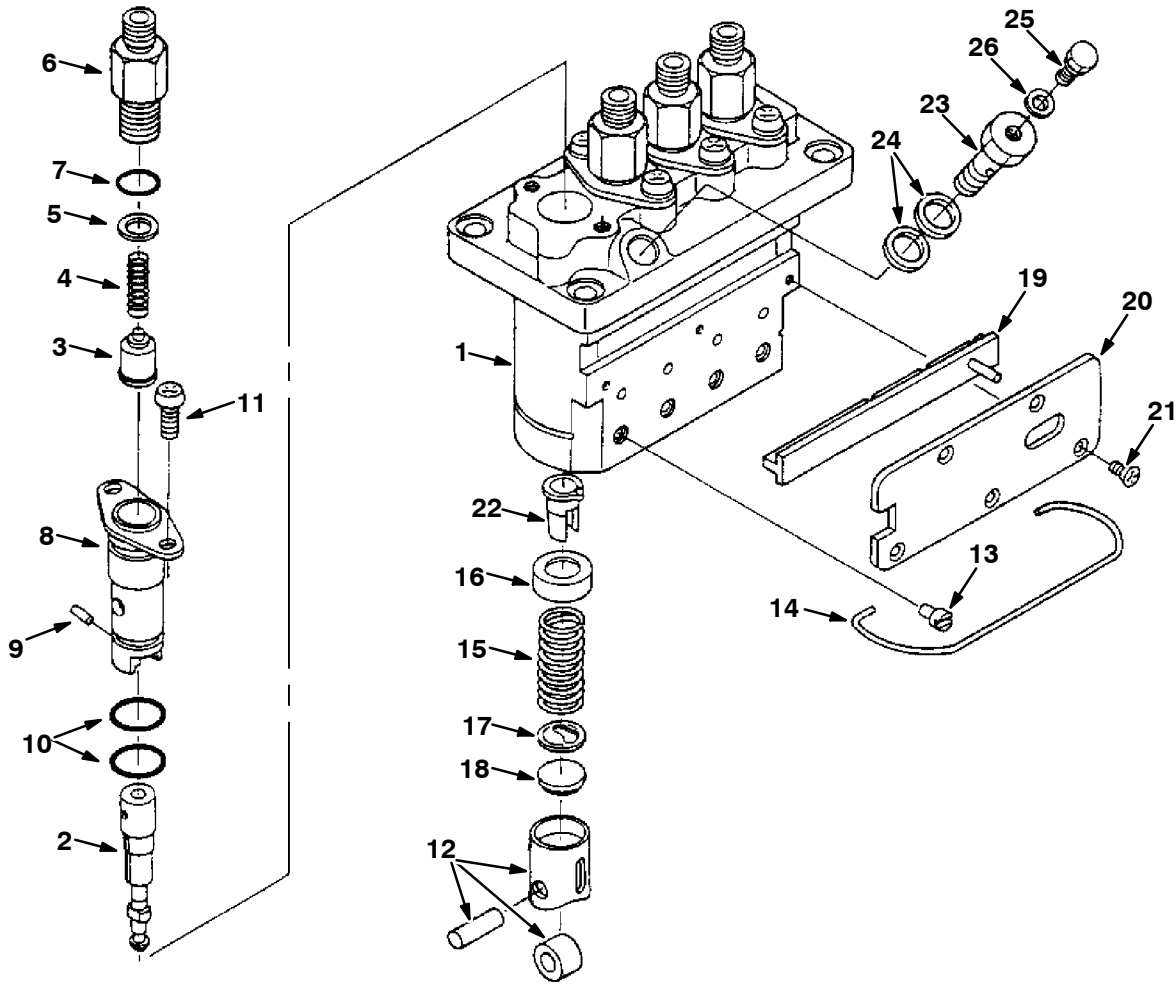
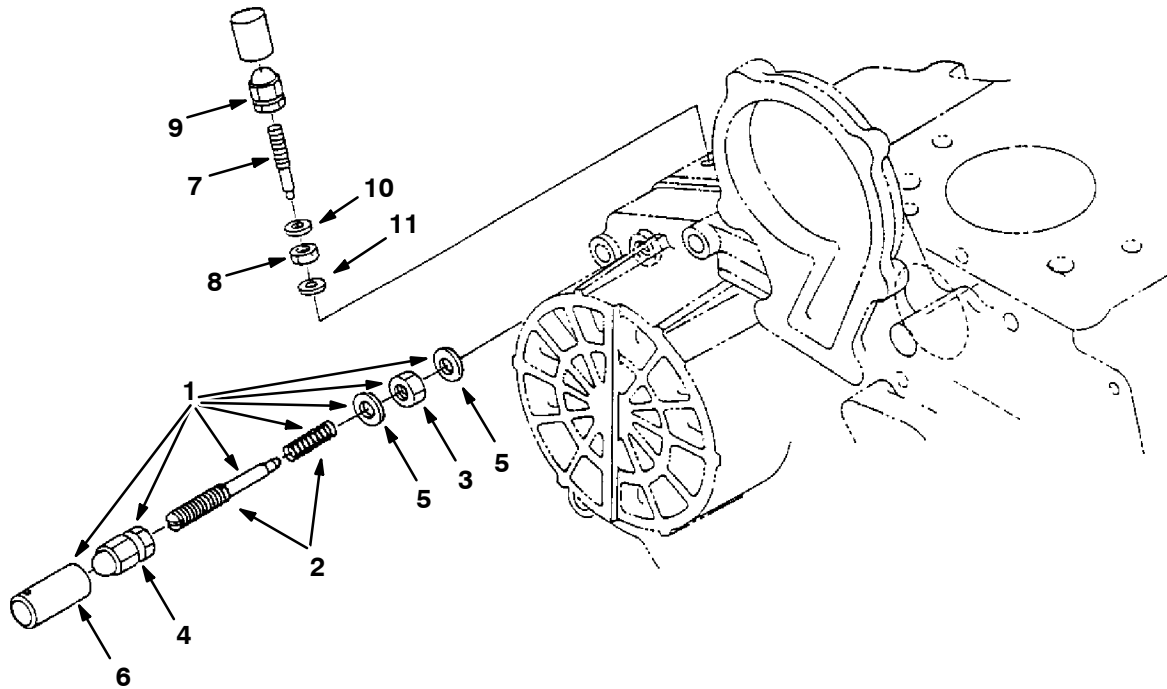


Fig. 18 - Injection Pump Breakdown

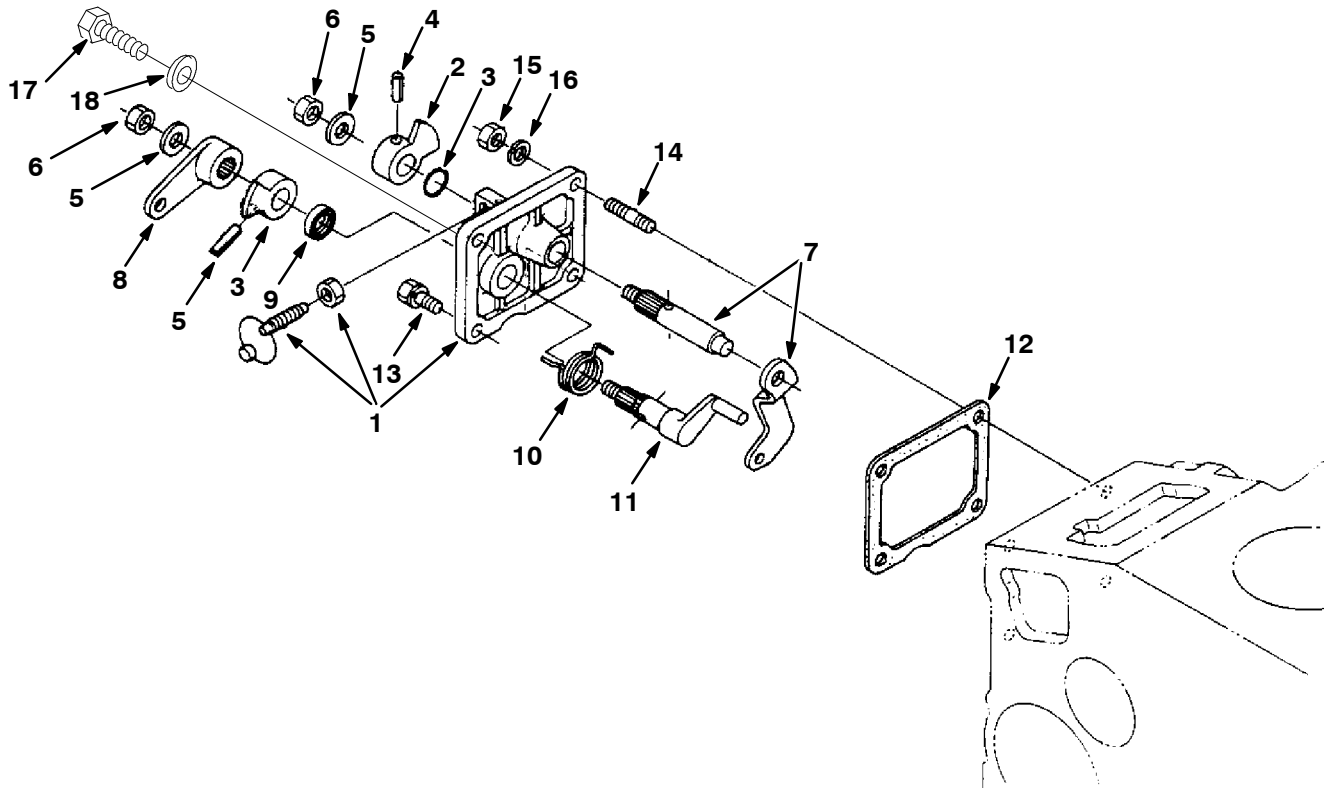
	Ref.	Part No.	Description	Qty.
▽	1	84635	Pump, Injection [Kubo]	1
▲	2	84648	Plunger, Pump, Inj [Ku]	4
▲	3	73567	Valve, Eng [Delivery, Ku]	4
▲	4	73568	Spring, Cmpr, Valve, Injector [Ku]	4
▲	5	73569	Gasket, Valve, Injector [Ku]	4
▲	6	73570	Holder, Valve, Inj [Ku]	4
▲	7	73571	Seal, Org [Ku]	4
▲	8	73572	Flange, Sleeve [Ku]	4
▲	9	73573	Pin, Joint, Inj [Ku]	4
▲	10	73574	Seal, Org [Ku]	8
▲	11	73575	Screw, Hex [Ku]	8
▲	12	73576	Tappet, Pump, Injection [Ku]	4
▲	13	73577	Pin, Tappet [Ku]	4
▲	14	73578	Pin, Clamp	1
▲	15	73579	Spring, Cmpr, Plunger [Ku]	4
▲	16	73580	Seat, Spring, Upper, Injector [Ku]	4
▲	17	73581	Seat, Spring, Lower, Injector [Ku]	4
▲	18	73582	Shim, Tappet, Injection [Ku]	1
▲	19	84649	Control, Fuel	1
▲	20	84650	Plate	1
▲	21	73585	Screw, Pump, Injection [Ku]	5
▲	22	73586	Sleeve, Cntrl, Pump, Injection [Ku]	4
▲	23	84651	Follower, Screw, Pump, Injection [Ku]	1
▲	24	73588	Gasket, Ftg, Banjo [Ku]	2
▲	25	73589	Screw, Hex [Ku]	1
▲	26	73590	Gasket, F/ Screw [Ku]	1

Fig. 19 - Idling Group



Ref.	Part No.	Description	Qty.	
▽	1	9004446	Idling, Apparatus [Ku]	1
▲	2	9004447	Bolt, Adjustment Assy [Ku]	1
▲	3	73606	Nut, Hex [Ku]	1
▲	4	361375	Nut, Cap [Ku]	1
▲	5	40166	Gasket, F/ Bolt [Ku]	2
▲	6	30136	Cap, Screw, Idler [Ku]	1
	7	73610	Screw, Adj, Stop [Ku]	1
	8	9004374	Nut, Lock [Ku]	1
	9	361375	Nut, Cap [Ku]	1
	10	40166	Gasket, F/ Bolt [Ku]	2
	11	9004375	Gasket [Ku]	1

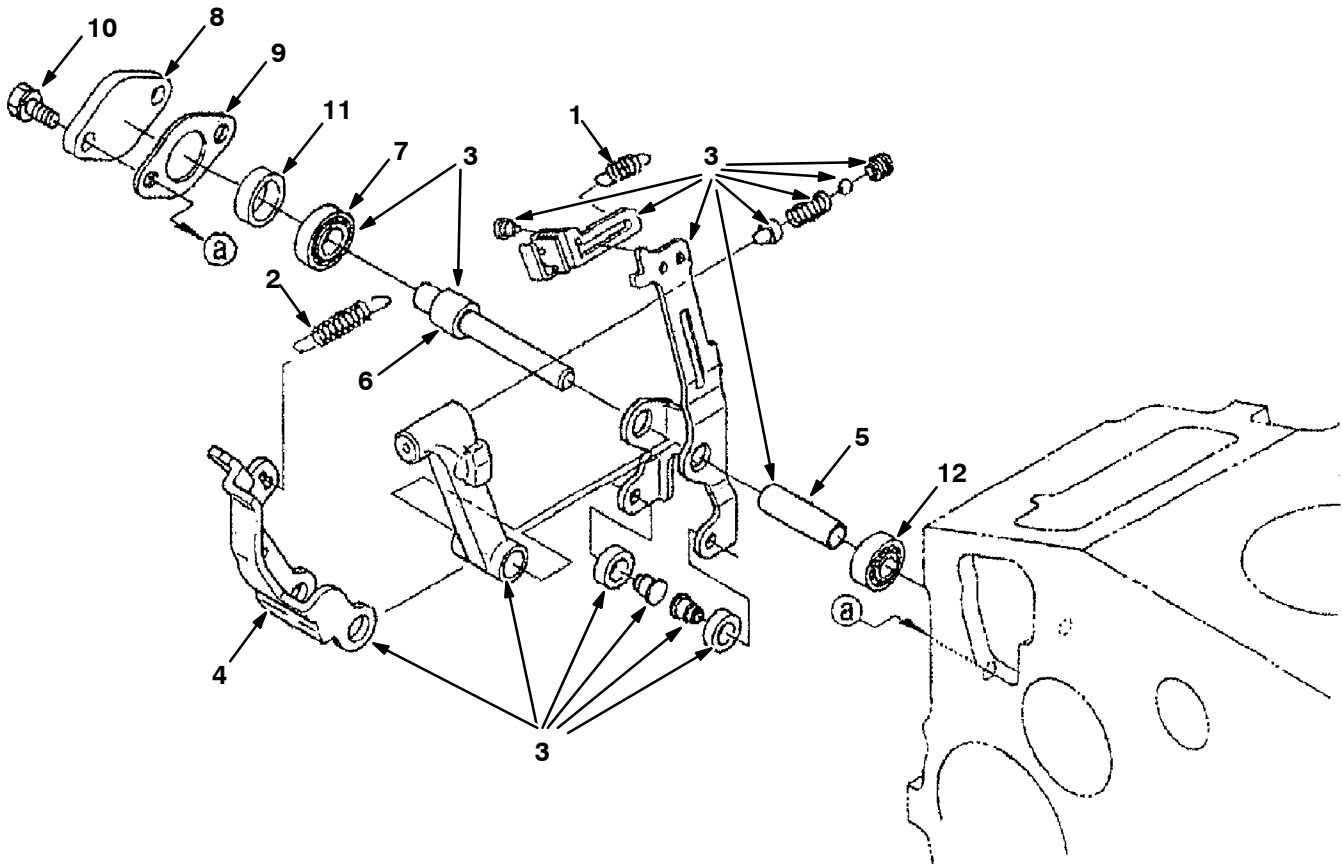
Fig. 20 - Speed Control Plate Group



07445 - M20, D

Ref.	Part No.	Description	Qty.
▽	1	70982 Plate, Cntrl, Spd [Ku]	1
▲	2	73619 Lever, Cntrl, Spd [Ku]	2
▲	3	9004385 O-Ring [Ku]	1
▲	4	40407 Pin, Spring [Ku]	2
▲	5	73621 Washer, Flat [Ku]	2
▲	6	73622 Nut, Hex [Ku]	2
▲	7	73623 Lever, Plate, Cntrl [Ku]	1
▲	8	73624 Lever, Stop [Ku]	1
▲	9	70983 Seal, Oil [Ku]	1
▲	10	73625 Spring, Tors [Ku]	1
▲	11	73626 Shaft, Lever, Spd [Ku]	1
	12	70984 Gasket, Cover, Spd [Ku]	1
	13	41973 Bolt, Hex [Ku]	2
	14	9004386 Stud [Ku]	2
	15	39121 Nut, Hex [Ku]	2
	16	39065 Washer, Lock, Split [Ku]	2
	17	9004449 Bolt [Ku]	1
	18	40166 Gasket, F/ Bolt [Ku]	1

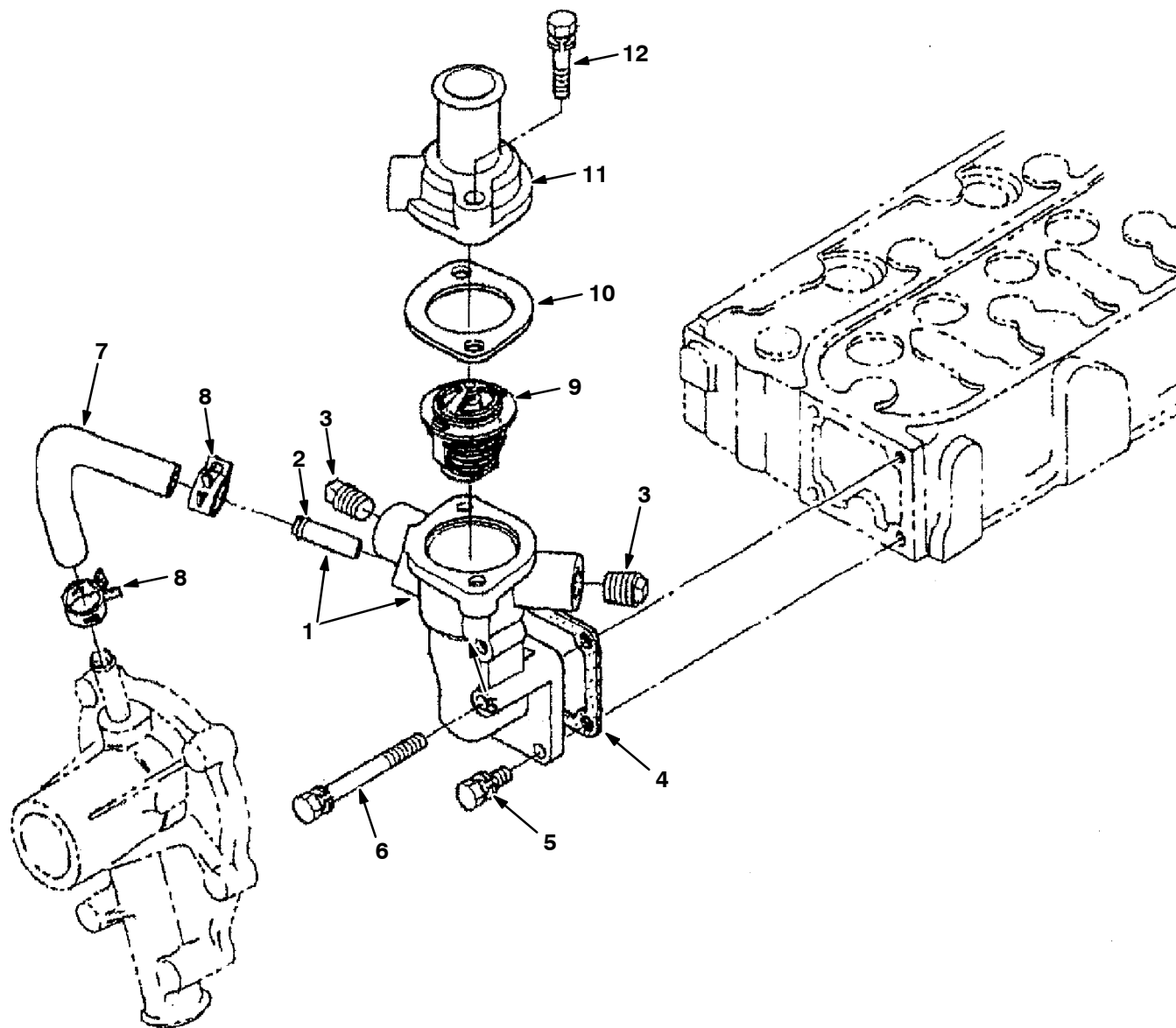
Fig. 21 - Governor Group



07447 - M20, D

Ref.	Part No.	Description	Qty.
1	9004379	Spring, Start [Ku]	1
2	9004448	Spring, Governor [Ku]	1
▽ 3	9004775	Lever Assy, Fork [KU]	1
▲ 4	9004381	Lever, Fork [Ku]	1
▲ 5	9004382	Lever, Fork, Shaft [Ku]	1
▲ 6	9004283	Belt Kit, W/ Installation Tool	1
▲ 7	70989	Bearing, Ball [Ku]	1
8	73631	Cover, Lever, Gov [Ku]	1
9	361430	Gasket, Cover, Gov [Ku]	1
10	71995	Screw, Hex [Ku]	2
11	70991	Collar, Govnr [Ku]	1
12	70992	Bearing, Ball [Ku]	1

Fig. 22 - Water Flange Group



Ref.	Part No.	Description	Qty.	
▽	1	368090	Flange, Water [Ku]	1
▲	2	384859	Pipe, Water, Return	1
	3	73632	Fitting, Pipe, Plug [Ku]	2
	4	70994	Gasket, Hsg, Thermostat [Ku]	1
	5	41973	Bolt, Hex [Ku]	3
	6	384872	Bolt	1
	7	73633	Hose, Water [Ku]	1
	8	73634	Clamp, Hose, Heater [Ku]	2
	9	10852	Thermostat, 180deg, 1.7d [Ku]	1
	10	10851	Gasket	1
	11	368091	Housing, Thermostat [Ku]	1
	12	40418	Bolt [Ku]	2





# SECTION 7

<b>CONTENTS</b>		<b>PAGE</b>
PART NUMBER TO PAGE NUMBER CROSS REFERENCE LIST .....		7-2
PART DESCRIPTION TO PAGE NUMBER CROSS REFERENCE LIST .....		7-14

# CROSS REFERENCE

## PART NUMBER TO PAGE NUMBER CROSS REFERENCE LIST

Part Number	Page Number	Part Number	Page Number	Part Number	Page Number
IB3614	4-10	06972	2-21	09738	3-11
00500-15	4-8, 4-9	06988	2-17	09739	2-59, 2-61, 2-87, 3-11, 3-17, 3-23, 3-31, 3-33, 3-35, 3-37, 3-38, 3-39, 3-49
00927	2-59, 2-61	07259	2-49, 2-57, 2-63, 2-71	09740	2-7, 2-13, 2-19, 2-29, 2-37, 2-53, 2-63, 2-65, 2-75, 2-79, 2-81, 2-85, 2-89, 2-91, 2-93, 2-115, 2-117, 3-3, 3-5, 3-19, 3-27, 3-33, 3-35, 3-37, 3-47
00954	2-93	07299	2-21		
00960	2-31, 2-33	07449	2-71		
00966	4-10	07514	3-17		
01316	3-3, 3-47	07782	2-17		
01493	2-7	07786	2-75, 2-79		
01681	2-15	07788	2-75, 2-79		
01683	2-33, 2-47, 3-3, 3-17, 3-23, 3-27, 3-31, 3-47, 3-51	07789	2-49		
01684	2-3, 2-53, 2-57, 2-65, 2-82, 2-87, 2-89, 3-27, 3-49	07791	2-73, 2-77, 2-111		
01685	2-29, 2-35, 2-37, 2-53, 2-57, 2-65, 2-67, 2-69, 2-71, 2-75, 2-79, 2-85, 2-91, 3-3, 3-7, 3-9	07805	2-65		
01686	2-5, 2-49, 2-67, 3-11	07810	2-57, 2-95	09741	2-63, 2-67
01714	2-45, 2-47	08085	2-13	09744	2-82, 3-49
01754	2-53	08170	2-45	09832	2-37
01760	2-13	08171	2-43, 2-55	1002789	3-21, 3-23
01762	2-59, 2-61, 3-7	08175	2-59, 2-61	1002898	3-19, 3-27
02430	4-22	08179	2-45, 2-49, 2-57, 2-67, 3-7, 3-9	1002899	3-19, 3-27
02706	4-7	08180	2-41	1005086	3-21, 3-23
02850	2-13, 2-19, 2-37, 3-19	08182	2-47, 2-75, 2-79	1005255	3-19
02931	2-71	08236	2-63	1005302	3-17, 3-27
02938	2-55	08708	2-7, 2-13, 2-15, 2-17, 2-27, 2-29, 2-31, 2-33, 2-37, 2-39, 2-45	1005435	3-19, 3-27
02942	2-49	08709	2-5, 2-7, 2-19, 2-22, 2-25, 2-31, 2-33, 2-37, 2-39, 2-45, 2-47, 2-75, 2-79, 2-95, 2-115, 3-13	1005506	3-17
03192	3-41	08711	2-21, 2-22, 2-43	1005507	3-17
03495	2-69	08712	2-11, 2-35, 2-53, 2-57, 2-65, 2-67, 2-87, 2-89, 3-49	1005508	3-17
03922	2-93	08713	2-29, 2-35, 2-37, 2-47, 2-51, 2-53, 2-57, 2-59, 2-61, 2-65, 2-67, 2-69, 2-71, 2-73, 2-75, 2-77, 2-79, 2-81, 2-85, 2-91, 3-7, 3-11, 3-13	1005552	3-17, 3-21, 3-23, 3-27
04414	2-7, 2-21, 2-67, 2-69	08714	2-51, 2-67, 2-71	1006400	3-27
04706	2-15	08716	2-35, 2-57, 2-87, 2-89	1006401	3-17
04733-12	2-63	08875	2-81, 2-82	1006415	3-19
06548	2-31, 2-45	09005	2-59, 2-61	1006416	2-27, 3-27
06549	2-13, 2-39, 3-47	09007	2-75, 2-79, 2-89	1006447	3-17
06922	2-53	09010	2-47, 2-51, 2-57, 2-65, 2-67, 2-81, 3-7, 3-9, 3-13	1007220	2-67
06927	2-19, 2-37	09023	2-67	1007482	2-37
06928	2-55	09028	2-49, 2-55, 2-63, 2-75, 2-79	1008916	2-17
06929	2-13	09081	2-73, 2-77	1010668	3-23, 3-27, 3-31
06939	3-47	09198	2-47	1010684	3-17
06942	2-7, 2-17, 2-27, 2-31, 2-37, 2-39, 2-45	09200	2-13, 2-19, 2-53, 2-87, 3-17, 3-23, 3-27, 3-31, 3-49	1010836	3-17
06943	2-13, 2-27, 2-29, 2-31, 2-33	09206	3-19	1011403	3-27
06944	2-55	09252	2-13, 2-47, 2-49	1011412	3-17, 3-23, 3-29, 3-31
06947	2-27	09291	2-53, 2-57	1011521	3-21
06955	2-45, 2-85, 2-91			1011885	3-5
06957	2-53, 2-67			1013031	2-35
06959	3-13			1013902	3-19
06960	2-15			1014082	3-19
06962	3-51			10143	1-1, 2-39
06963	2-53			1014563	2-37, 2-53, 2-57, 2-71, 2-93, 2-95, 3-41
06965	3-51			1014575	3-19
06966	2-21			1014705	2-63
06969	2-43, 2-63			1014929	3-27
				1014974	3-5
				1014986	3-27
				1015012	2-149
				1015033	3-5
				1015041	2-37
				1015045	2-87, 3-3, 3-11, 3-29, 3-47
				1015047	3-5

# CROSS REFERENCE

Part Number	Page Number	Part Number	Page Number	Part Number	Page Number
1015067	3-23, 3-31	1018280	2-55	1021325	3-3
1015220	2-53	1018293	2-55	1021327	2-5
1016314	2-31, 2-33	1018296	1-1, 2-53	1021404	2-71
1016383	2-37	1018300	2-51	1021419	2-89
1016463	2-57	1018333	3-23	1021439	3-9
1016827	2-27	1018495	3-47	1021473	3-9
1016837	3-3	1018499	3-17, 3-47	1021497	2-71
1017126	1-1, 2-27	1018549	2-147	1021511	2-69
1017141	2-149	1018776	2-13	1021546	2-71
1017218	2-7, 2-13, 2-19, 2-51, 2-57, 2-81, 2-85, 2-89, 2-91, 2-93, 2-115, 2-117, 3-5, 3-19, 3-27, 3-33, 3-35, 3-37, 3-47	1018780	3-19	1021564	3-9
1017248	3-35, 3-38	1018883	3-17	1021579	1-1, 2-113
1017250	3-37, 3-39	1018884	3-17	1021609	2-67
1017368	2-3	1018936	2-115, 4-11	1021617	3-9
1017672	2-5, 2-55, 3-11	1018938	3-13, 4-13	1021789	2-35
1017791	2-5	1018939	2-27	1021794	3-7
1017868	1-1, 2-69	1019031	2-75	1021834	2-7
1017903	2-41	1019146	2-63	1021878	3-19, 3-27
1017944	2-53	1019225	2-5	1021879	2-89
1017969	2-35	1019228	2-13	1021881	3-47
1018059	2-37	1019250	3-47	1021920	2-89
1018097	3-19	1019251	2-5	1021941	2-57
1018098	3-17, 3-27	1019295	1-1, 2-73, 2-77	1021991	2-115
1018193	2-57	1019424	2-85, 2-91	1022003	2-65
1018194	2-57	1019445	3-33, 3-35, 3-37	1022004	2-19
1018196	2-57	1019630	2-147	1022005	2-13, 2-19
1018197	2-57	1019636	3-5	1022007	1-1, 2-65
1018199	2-57	1019646	3-25	1022009	1-1, 2-65
1018202	2-57	1019647	3-38, 3-39	1022031	2-45
1018203	2-53	1019950	2-147	1022069	2-17
1018206	2-57	1019971	3-33, 3-35, 3-37	1022088	2-87
1018207	2-53	1020002	2-63	1022105	2-13
1018208	2-55	1020003	2-63	1022106	3-11
1018209	2-95	1020065	2-89	1022111	3-7
1018210	2-57	1020163	2-65	1022113	2-35
1018216	2-95	1020166	1-1, 2-65	1022135	3-7
1018222	2-95	1020168	2-7	1022137	2-85, 2-91
1018226	2-49	1020186	2-19	1022165	2-65
1018227	2-49	1020207	2-65	1022167	2-89
1018235	2-51	1020208	2-65	1022176	2-81
1018236	2-57	1020209	2-81	1022179	2-65
1018237	2-57	1020263	2-89	1022182	2-82
1018239	2-51	1020320	2-93	1022188	3-7
1018240	2-55	1020331	2-89	1022229	3-5
1018241	2-49	1020335	2-89	1022243	2-45
1018244	2-57	1020394	2-115, 4-17	1022260	3-7
1018245	2-57	1020428	2-82	1022265	3-41
1018252	2-95	1020487	2-13	1022266	3-41
1018253	2-57	1020526	3-49	1022276	3-41
1018258	2-51	1020540	2-7	1022302	3-7
1018260	2-49	1020548	2-75	1022318	3-11
1018262	2-49	1020708	2-115	1022345	2-47
1018266	2-49	1020828	2-65	1022359	2-65
1018272	2-51	1020904	2-7	1022363	2-65
1018274	2-55	1020949	2-29	1022370	2-89
1018275	2-49	1021019	2-59, 2-61	1022372	2-67
1018276	2-49	1021047	2-5, 2-55, 3-11	1022377	2-93
		1021090	2-89	1022442	2-67
		1021210	3-5, 4-3	1022482	2-115
		1021265	2-15	1022484	2-115
		1021290	2-39	1022545	2-71

# CROSS REFERENCE

Part Number	Page Number	Part Number	Page Number	Part Number	Page Number
1022666	2-109	1024389	2-81	1025992	3-15
1022699	2-7	1024403	2-89	1026003	2-37
1022736	2-45	1024425	2-13	1026007	2-67
1022779	2-47	1024464	2-13	1026014	2-89
1022787	2-47	1024478	2-15	1026025	2-45
1022825	2-75, 2-79	1024500	2-19	1026051	2-85, 2-91
1022831	2-69	1024535	2-85, 2-91	1026067	3-19
1022846	2-73, 2-77	1024558	2-85, 2-91	1026074	3-17
1022978	2-79	1024570	2-65	1026080	2-59, 2-61
1023074	2-21	1024576	2-75, 2-79	1026108	2-65
1023144	5-4, 6-4	1024584	2-73, 2-77	1026119	3-13
1023154	2-37	1024586	1-1, 2-73, 2-77	1026146	3-43
1023180	2-37	1024591	2-81	1026222	2-2
1023239	2-69	1024599	2-85, 2-91	1026223	2-2
1023282	2-21	1024641	2-67	1026319	2-111
1023303	2-61	1024648	2-67	1026352	2-59, 2-61
1023306	2-75	1024651	2-73, 2-77	1026550	2-25
1023307	2-79	1024688	2-105, 2-107	1026576	2-39
1023314	2-79	1024695	2-15	1026628	2-19
1023464	2-9	1024703	2-67	1026645	2-103
1023476	2-71	1024764	2-105	1026647	2-111
1023482	2-25	1024772	2-29	1026665	2-19
1023485	3-15	1024853	2-93	1026726	2-19
1023486	3-15	1024891	2-93	1026727	2-85
1023488	2-101	1024977	3-51	1026733	2-105
1023489	2-101	1025005	1-1, 3-7	1026743	3-47, 4-23
1023499	2-13	1025100	2-63	1026746	3-51
1023502	2-85, 2-91	1025132	2-113	1026759	2-25
1023545	2-113	1025140	2-46	1026825	2-13
1023569	2-9	1025151	2-73, 2-77	1027007	3-47
1023606	2-103	1025159	3-5	1027039	2-91
1023607	2-103	1025196	2-19	1027099	2-37
1023608	2-101	1025229	2-25	1027103	2-37
1023609	2-101	1025405	3-13	1027112	2-37
1023611	2-103	1025435	2-7	1027218	2-7
1023617	2-59	1025445	3-15	1027228	2-39
1023754	2-93	1025460	2-71	1027233	2-47
1023769	2-105	1025480	2-85, 2-91	1027237	3-47
1023779	2-67	1025487	2-45	1027267	2-7
1023810	2-37	1025495	2-45	1027273	2-21
1023853	2-37	1025544	2-105	1027284	2-11
1023879	3-41	1025547	2-103	1027290	1-1, 2-82
1023892	2-29	1025548	2-105	1027313	2-47
1023911	1-1, 2-31	1025551	2-107	1027320	2-105
1023926	2-15	1025601	2-71	1027321	2-105
1023943	2-31	1025619	2-89	1027353	2-149
1024028	2-37	1025620	2-89	1027372	2-149
1024141	2-147	1025663	3-51	1027381	2-81
1024157	2-15	1025680	2-67	1027560	3-51
1024206	2-31	1025736	2-13	1027591	2-21
1024211	2-31	1025756	2-95	1027688	2-3
1024213	2-31	1025806	2-19	1027692	2-47
1024237	3-27	1025841	2-95	1027697	2-2
1024249	2-41	1025872	2-93	1027716	1-1, 3-7
1024251	2-109, 4-7	1025887	2-93	1027719	1-1, 2-69
1024260	2-15, 4-21	1025888	2-93	1027742	2-47
1024264	2-31	1025904	2-49	1027759	3-53
1024274	2-39	1025916	2-13	1027798	3-35, 3-37, 3-38, 3-39
1024357	2-35	1025990	3-15	1027800	3-35, 3-37, 3-38, 3-39
1024380	2-27	1025991	3-15	1027810	2-63

# CROSS REFERENCE

Part Number	Page Number	Part Number	Page Number	Part Number	Page Number
1027916	2-5	1030549	3-43	1033901	2-25
1027922	2-27	1030588	2-13, 2-19	1033975	2-7
1027926	3-9	1030593	2-7	1034147	2-71
1027976	3-47	1030617	2-82	1034149	2-71
1027978	3-47	1030709	2-107	1034764	2-9
1028074	2-87	1030863	3-17	1034765	2-9
1028145	2-103	1030864	3-17	1034766	2-9
1028173	2-89	1030878	3-17	1034767	2-13
1028203	2-43	1030910	2-63	1034768	2-9
1028211	2-89	1030911	2-63	1034769	2-9
1028328	2-89	1030969	2-2	1034770	2-9
1028374	2-69	1031011	1-1, 2-73, 2-77	1034878	2-113
1028412	2-19	1031012	2-27	1035044	2-89
1028420	2-31	1031017	2-149	1035068	2-17
1028516	2-19	1031206	2-13	1035341	2-31, 2-33
1028522	2-89	1031233	2-81	1035727	2-71
1028570	2-89	1031235	2-82	1035794	3-27
1028582	3-17	1031309	2-91	1035878	2-37
1028590	2-43	1031331	1-1, 2-69	1035976	2-37
1028635	2-75, 2-79	1031413	2-63	1035997	2-7
1028667	2-31	1031543	2-17	1036240	2-55
1028690	2-85, 2-91	1031557	2-17	1036611	2-53
1028691	2-85, 2-91	1031566	2-31, 2-33	1036801	3-27
1028697	3-5	1031572	3-5	1036844	2-33
1028701	2-85, 2-91	1031575	2-55	1036847	2-33
1028769	2-11	1031610	2-89	1036859	2-33
1028772	2-11	1031665	2-7, 2-11, 2-13, 2-15, 2-19	1036892	2-11, 2-27
1028821	2-111			1036939	2-105
1028822	2-111	1031699	2-89, 4-3	1036944	3-15
1028823	2-111	1031796	4-23	1036945	2-103
1028852	2-65	1031797	4-23	1036959	2-111
1028972	2-77	1031798	4-23	1036965	3-15
1028979	2-77	1031799	4-23	1036997	2-87
1028994	2-35	1031800	4-23	1037011	3-13
1029055	3-47	1031801	4-23	1037042	2-107
1029057	3-47	1031802	4-23	1037053	2-107
1029118	3-19	1031803	4-23	1037235	2-53
1029128	2-73	1031823	1-1, 2-73, 2-77	1037346	2-5, 2-39, 2-55, 2-89, 2-95
1029132	2-73	1031826	2-5		
1029153	3-47	1031827	2-5	1037671	2-53
1029155	3-47	1031945	1-1, 2-69	1037805	3-13, 4-15
1029156	3-47	1032010	2-35	1037809	3-32
1029185	2-87	1032399	2-47	1037816	2-89
1029362	2-11	1032424	2-27	1037825	3-23, 3-31
1029379	3-7, 4-9	1032450	2-149	1037940	2-41
1029399	3-47	1032512	2-27	1037947	2-53
1029497	3-5	1032578	3-53	1037970	2-17
1029543	3-51	1032743	2-59, 2-61	1037971	2-17
1029545	2-17	1032812	2-25	1037972	2-17
1029646	2-49	1032830	3-41	1038035	2-31
1029652	2-17	1032831	3-41	1038074	2-87
1029689	2-31, 2-33	1032869	3-49	1038115	3-9
1029748	2-82	1032896	3-49	1038137	2-63, 2-67, 2-75, 2-79, 3-9
1029790	3-47	1033156	2-19		
1029964	2-59, 2-61	1033297	3-19	1038258	2-59, 2-61
1030017	2-7	1033591	2-53	1038566	2-117, 4-19
1030404	2-101	1033624	2-147	1038569	2-101
1030441	4-24	1033688	2-37	1038805	2-81, 2-82
1030444	4-24	1033697	2-31	1038927	2-89
1030511	3-23, 3-31	1033897	2-25	1038941	2-89

# CROSS REFERENCE

Part Number	Page Number	Part Number	Page Number	Part Number	Page Number
1039019	3-5	1048474	2-81, 2-82	16931	2-7, 2-13, 2-17, 2-19, 2-27, 2-35, 2-37, 2-41, 2-45, 2-93
1039049	2-89	1048512	2-81, 2-82	16944	2-49
1039064	2-87	1049242	2-53	16953	2-31
1039072	2-89	1049254	3-27	16968	2-11
1039163	2-51	1049259	3-27	17185	2-59, 2-61, 3-17
1039208	2-33	1050295	3-41	17284	3-11
1039212	2-33	1050757	2-21, 2-22	17414	2-25, 2-27
1039215	2-51	10632-1	2-55	17461	2-57, 2-63, 2-75, 2-79, 3-9
1039348	2-75, 2-79	10632-13	2-55	17521	2-87
1039357	3-27	10632-17	3-38, 3-39, 3-41	17980	2-15
1039396	2-65	10632-19	3-17, 3-27	19064	2-37, 2-53, 3-45
1039521	2-25	10632-2	3-5	19065	2-13
1039652	2-89	10632-4	2-55	19066	2-13, 2-19, 2-31, 2-33, 2-39, 2-49, 3-33, 3-35, 3-37, 3-38, 3-39, 3-47
1039757	2-81, 2-82	10844	5-17, 6-17	19191	3-7
1039789	2-117	10845	5-17, 6-17	19252	2-21
1040018	2-65	10851	5-31, 6-29	19310	2-21
1040096	2-21	10852	5-31, 6-29	19313	3-41
1040117	2-117	10895	5-3	19583	2-41
1040216	2-103	10917	4-23	20021	2-55
1040306	2-81	11399	2-37	20170	2-45
1040318	2-111, 2-113	11531	2-35, 2-37	20171	2-21
1040467	2-15, 2-17, 2-27, 2-37, 2-49	11842	2-47	20394	2-17, 3-47
1040524	2-2	11984	3-19	20432	5-21, 6-19
1040620	2-147	12295	2-59, 2-61	20433	5-21, 6-19
1040628	2-105	12309	2-55	20634	2-53
1040655	2-103	12317	2-5, 2-57, 2-67, 3-11	20719	5-23
1040800	3-49	12323	2-55	20778	2-39
1040834	3-11	12895	5-15	20833	1-1, 2-71
1040835	2-27	12916	6-7	20944	3-5
1040841	2-9	13534	2-59, 2-61	20951	3-5
1040863	3-51	13698	2-111	20952	3-5
1040871	3-51	13904	4-11, 4-13, 4-15, 4-17, 4-19	21168	2-19
1040876	2-117	13907	4-7, 4-17	21196	3-51
1041006	2-53	14432	2-29	21197	2-47
1041920	2-53	14595-1	2-45	21198	2-109, 3-43
1041953	2-85, 2-91	14605	2-45	21601	2-69
1041984	2-53	14838	2-3	21602	2-69
1042003	2-85	14877	3-3, 3-5, 3-17, 3-27	21603	2-69
1042010	2-91	150100	3-17	21606	2-69
1042499	2-3	150525	3-19	21623	2-55
1042500	2-3	150538	3-27	21657	4-22
1042504	2-3	150540	3-27	21659	4-22
1042710	4-24	150709	3-27	21851	2-13
1042711	4-24	150713	3-27	21933	4-21
1042775	2-105	15331	2-17	21934	4-21
1042776	2-105	15539	2-3	21935	4-21
1042968	3-7	15648	2-85, 2-91	21955	4-9
1044323	2-51	15675	2-59, 2-61, 2-85, 2-91	21956	4-9
1044342	3-27	15678	2-53, 3-27	21958	4-9
1044343	3-27	15687	2-21	222267	2-81, 2-82
1044367	2-117	16213	2-47	222268	2-51, 2-57
1045272	3-13	16376	2-21	222290	2-39
1045444	3-51	16411	1-1	222463	2-73, 2-77
1045759	2-107	16412	1-1	222496	2-35, 2-59, 2-61
1046798	2-89	16431	2-103	222505	2-35, 2-71
1047098	2-81, 2-82	16695	4-8, 4-9		
1047169	2-7	16735	2-89, 3-9		
1047295	2-7				
1047625	4-15				

# CROSS REFERENCE

Part Number	Page Number	Part Number	Page Number	Part Number	Page Number
222516	2-85, 2-91	32491	2-5, 2-7, 2-13, 2-15, 2-17, 2-22, 2-25, 2-27, 2-31, 2-33, 2-35, 2-37, 2-41, 2-45, 2-47, 2-59, 2-61, 2-63, 2-65, 2-85, 2-89, 2-91, 2-111, 2-113, 2-115, 3-9, 3-11, 3-13, 3-41, 3-49	361368	5-23
22290	2-15			361372	6-5
223080	2-13			361373	5-23, 6-20
223198	2-63			361374	5-10, 6-7, 6-10
223470	3-7			361375	6-26
223599	2-11			361389	6-7
22790	4-3			361392	5-12, 6-12
23211	2-49			361395	6-17
23285	4-3	32492	2-5, 2-13, 2-31, 2-33, 2-47, 2-55, 2-111, 3-7, 3-41, 3-43, 3-51	361401	6-7
23498	2-85, 2-91, 2-93, 2-95			361427	5-11
23524-1	2-67			361428	5-4, 6-4
23788	2-45	32493	2-21, 2-22	361430	5-30, 6-28
24012	2-35	32746	2-3	361436	5-3, 6-3
24105	3-3	32975	2-53	361440	5-8, 5-31, 6-8
24196	3-33, 3-35, 3-37, 3-38, 3-39	32981	2-25, 2-93	361589	6-12
24265	2-19, 3-3	32983	2-13	363162	2-69
24299	2-3	32987	2-41	36328	2-75, 2-79
24339	2-41	32988	2-31, 2-33	363301	2-69
24358	2-89, 4-3	331385	3-53	363458	2-5
24543	3-5	331410	3-53	363976	2-7
24544	3-3, 3-17, 3-27	331411	3-53	364347	2-45
24555	2-69, 2-71	331412	3-53	364441	2-69
24976	2-21	331413	3-53	364587	2-49
25046	3-7	33295	3-3	364749	2-13
25122	2-113	33373	2-71	364779	2-27
25312	3-52	33401	2-65	364805	2-35
25611	3-7	33580	4-5	364864	2-45
25686	2-59, 2-61	33595	2-21	364948	2-45
25735	2-71, 2-73, 2-77	33612	2-31, 2-33	364972	2-21
28854	4-9	33671	2-39	365004	3-15
29557	3-9	33812	2-117	365066	2-27
29558	3-9	33932	2-19, 2-47, 2-73, 2-77, 3-3	365190	2-27
29584	2-67			36643	2-47, 2-93, 2-95
30121	5-17	34178	4-5	36644	2-63
30122	5-17	34323	2-95	36658	2-53
30125	5-10, 6-10	34359	3-13	36661	2-53
30131	5-23, 6-20	35493	4-10	367313	2-67
30132	5-23	35707	2-31, 2-33	367591	2-21
30136	5-28, 6-26	35904	2-111	367679	2-53
31241	2-95	360023	2-43	367770	2-67
31354	4-8, 4-9	360074	2-43	367771	2-5
31375	4-8	360270	2-43	367949	2-81, 2-82
31379	4-8	360271	2-43	367974	3-43
31383	4-8	360272	2-43	368056	2-21
31543	3-31	360273	2-43	368059	2-21
31613	1-1, 2-113	360274	2-43	368090	5-31, 6-29
32126	2-41	360275	2-43	368091	5-31, 6-29
32183	2-25, 2-55, 3-5	360276	2-43	368132	2-37
32483	2-13, 2-15, 2-25, 2-29, 2-31, 2-33, 2-35, 2-47, 2-53, 2-55	360801	2-75, 2-79, 2-89	368391	2-13
32485	2-21, 2-29, 2-31, 2-47, 2-63, 2-71, 2-95, 2-109	360802	2-43	36845	3-9
32486	2-15, 2-37, 2-43, 2-55, 3-9	360824	2-53, 3-49	369359	3-7, 3-51
32490	2-7, 2-27, 2-31, 2-37, 2-39, 2-45, 2-47, 3-17, 3-19	360952	2-53	369704	2-39
		361044	2-103	369745	2-29
		361047	3-15	369746	1-1, 2-29
		361071	2-11	369747	2-29
		361073	2-11	369811	3-3
		361075	2-11	370100	2-69
		361339	2-45, 2-47, 2-55, 2-65, 3-3, 3-17, 3-19	371017	6-9
		361366	5-4, 6-4	371527	2-33
				372900	5-10

# CROSS REFERENCE

Part Number	Page Number	Part Number	Page Number	Part Number	Page Number
372901	5-10, 6-10	373664	4-13, 4-15, 4-17, 4-19	388500	6-21
372904	5-10, 6-10	373665	4-17, 4-19	38968	4-5
372905	5-11, 6-11	373666	4-17, 4-19	39051	5-3, 6-3
372906	6-5	373667	4-17, 4-19	39062	5-3, 6-3
372907	6-5	373668	4-17, 4-19	39063	5-3, 5-5
372912	5-10, 6-10	373669	4-17	39065	5-7, 5-25, 5-29, 5-31, 6-7, 6-23, 6-27
372913	5-10, 6-10	373670	4-13, 4-17	39073	5-4, 5-5, 6-4, 6-5
372917	5-23, 6-20, 6-21	373671	4-17, 4-19	39087	5-3, 6-3
372918	5-10	373672	4-13, 4-15, 4-17, 4-19	39088	5-3, 5-5, 6-3, 6-5
372920	5-3	373673	4-13, 4-17	39094	5-4, 6-4
372921	5-5	373678	4-7	390994	2-81
372927	5-10	373679	4-7	39103	5-7
372928	5-10, 6-10	373680	4-7	39105	5-3
373217	4-5	373681	4-7	39119	5-9
373226	4-5	373683	4-15	39121	5-7, 5-25, 5-29, 5-31, 6-7, 6-23, 6-27
373236	4-5	373684	4-15, 4-19	391368	2-17
373260	4-5	373685	4-15, 4-19	39160	5-15, 5-28, 5-30, 6-23
373291	4-5	373686	4-15, 4-19	39161	5-7
373297	4-5	373688	4-19	391969	2-147
373298	4-5	374560	2-41	39197	5-15, 6-15
373299	4-5	374563	2-41	39210	2-115, 3-13
373317	4-7	375321	3-47	392171	2-11
373327	4-7	375322	3-3	392609	2-93
373346	4-7	37555	4-8, 4-9	392611	2-31, 2-33
373347	4-7	37616	4-5	39277	2-5, 2-7, 2-22, 2-25, 2-31, 2-33, 2-37, 2-53, 2-85, 2-91, 2-111, 2-113
373348	4-7	377236	3-15	39278	2-47
373389	4-7	377349	2-82, 3-3	39279	2-45
373391	4-7	377537	1-1	39281	2-71
373393	4-7	377538	1-1	39283	2-5, 2-7, 2-21, 2-31, 2-33, 2-111
373394	4-7	377540	1-1	39284	2-21, 2-29, 3-51
373395	4-7	37756	4-5	39285	2-95
373398	4-7	379609	2-41, 4-5	39308	2-75, 2-79
373402	4-7	379656	2-27	39311	2-7, 2-53
373413	4-7	379791	2-57	39312	2-53
373427	4-7	379870	2-75, 2-79	393135	2-73, 2-77, 3-49
373429	4-7	380521	2-21	393215	2-41, 2-49
373434	4-7	381502	2-45	393244	1-1, 2-33
373493	4-7	381858	2-103	393255	3-11
373494	4-7	381862	2-103	393370	2-31
373631	4-17	382099	2-63	393371	2-31
373633	4-11, 4-13, 4-15, 4-19	382224	2-45	393400	6-17
373637	4-11, 4-19	382320	2-81, 2-82, 2-89, 3-52	393401	2-21
373639	4-11, 4-19	382516	2-11	39349	2-7, 2-13, 2-19, 2-41, 2-47, 2-75, 2-79, 2-81, 2-85, 2-91
373640	4-11, 4-13, 4-15, 4-17, 4-19	38255	4-5	39350	2-41
373642	4-13, 4-15, 4-17, 4-19	383165	2-11	393504	6-5
373646	4-13, 4-15, 4-17	384418	2-19, 2-73, 2-77	393566	6-20
373647	2-117, 4-11, 4-13, 4-15, 4-17, 4-19	384419	2-19	393570	6-3
373648	4-11, 4-13, 4-17	384859	6-29	393588	6-8
373656	4-11, 4-13, 4-15, 4-19	384871	6-9	393598	6-12
373657	4-11, 4-13, 4-15, 4-17, 4-19	384872	6-7, 6-11, 6-29	39507	6-20
373658	4-11, 4-13, 4-15, 4-17, 4-19	384874	6-10	39508	5-23
373659	4-11	385644	3-21, 3-23, 3-29, 3-47	39527	4-8
373660	4-11, 4-19	385685	2-82, 2-89, 3-5		
373661	4-13	386088	2-75, 2-79		
373662	4-13, 4-15	386264	2-69		
373663	4-13, 4-15, 4-17, 4-19	386298	2-69		
		386652	3-5		
		387237	2-69		
		387433	2-69		
		387500	2-69		



# CROSS REFERENCE

Part Number	Page Number	Part Number	Page Number	Part Number	Page Number
39534	2-93	44868	2-59, 2-61, 2-95,	53947	2-47
395825	2-57		2-109, 2-115, 3-13	53953	2-47
395973	2-115, 3-13	44869	2-95, 2-109, 2-113,	54017	2-101
395974	2-115, 2-117, 3-13		3-13	54051	2-41
396221	2-101	45622	4-5	54052	2-41
396255	2-103	45623	4-5	54087	2-41
396266	2-103	45628	4-8, 4-9	54095	4-10
396438	2-103	46236	3-35, 3-37	54205	2-47
396476	2-115, 3-13	46390	2-31	54274	2-37, 2-93, 2-95
39703-2	1-1, 2-22	46480	2-115	54275A	2-93, 2-95
397648	3-43	46481	2-111	54333	2-25, 2-27, 2-39, 3-11,
39811	2-63	46482	2-113, 2-117		3-17, 3-21, 3-23, 3-27,
398279	2-29	46559	2-47		3-29, 3-31
398468	3-17	46563	2-45	54390	2-43
398474	3-17	46785-1	2-67	54607	2-45
398500	3-47	46800	3-7	54615	2-89
398501	2-11	47504	3-13	54655	2-47
398508	2-11	47512	2-109	54861	2-93
39924	2-55	47513	2-109	54911-16	2-21
40166	5-23, 5-28, 6-20,	47522	2-41, 2-115	55272	3-35, 3-37, 3-38, 3-39
	6-26, 6-27	47566	2-27	55455	2-113
40362	2-113	47585	2-15	55586	2-59, 2-115, 2-117,
40407	5-29, 6-27	47638	2-49		3-13
40409	5-11, 5-13, 6-11	47801	2-41	55685	3-13
40418	6-29	48079	2-47	55837	2-21
40607	2-55	48126	2-25	55845	3-43, 3-45, 3-51
40678	2-111	48267	2-25	55847	5-8, 6-8
41130	2-93	48813	4-10	55926	4-7
41141	2-65	48985	2-63, 3-9	56078	2-59, 2-61
41169	2-47	49145	2-43	56185	2-15
41178	2-13, 2-19, 2-95	49266	2-11, 2-27, 2-37, 2-41,	56186	2-27, 3-17, 3-27, 3-47
41185	2-75, 2-79		3-17, 3-38, 3-39	56690	2-15, 2-113, 3-13, 3-15
41186	2-33, 2-47, 2-85, 2-91,	49697	2-73, 2-77	56692	3-7
	2-93, 3-9	49800	2-13, 2-37	56820	2-15, 2-115, 2-117,
41187	2-67, 2-75, 2-79	49883	2-115		3-13
41295	3-3, 3-5	49933	2-93, 2-115, 2-117	56821	2-109, 3-7
41315	2-87	50161	2-111	56835	2-15
41346	3-9	50178	3-11	56992	2-11
41361	2-33	50335	2-47	57189	2-93
41399	2-47	50544	2-87	57248	3-27
41430	2-21, 2-31, 2-37, 2-95,	50646	2-55	57315	2-41
	2-111, 3-41, 3-51	50902	2-31	57702	3-51
41445	2-75, 2-79	50960	2-95	57804	2-39
41619	2-63, 2-67, 2-75, 2-79	51109	2-45	57946	2-105
41792	5-4	51176	2-21	58286	2-21
41973	5-15, 5-29, 5-31, 6-13,	51305	2-37	58311	2-45
	6-15, 6-27, 6-29	51331	5-5	58494	2-13
42011	2-33	51332	5-11, 6-11	58566	2-21
42120-1	2-49	51338	2-41	58592	2-113
42120	2-63	51339	2-41	58819	2-5, 2-7, 2-46
42133A	3-3, 3-17, 3-27	51754	2-105	58842	2-41
42180	2-47	51787	2-111	58979	2-89
42215	2-95	51824	2-63	59009	2-45
42223	2-41	51869	2-21	59015	2-27
42226	2-93, 2-115, 2-117,	52405	4-5	59156	2-31, 2-33, 3-9
	3-13	53029	2-27	59194	2-75
42467	2-47	53076	2-109	59195	2-79
43555	2-69, 2-85, 2-91	53466	2-5, 2-7, 2-37, 2-39,	59378	4-10
43844	2-37, 3-3, 3-5, 3-27		2-111, 3-19	59542	2-49
		53485	2-95, 4-10	59577	2-15, 2-117, 3-15

# CROSS REFERENCE

Part Number	Page Number	Part Number	Page Number	Part Number	Page Number
59578	2-21	70173	2-27	70927	5-9
59633	3-9	70188	5-28, 6-23	70928	5-9
59649	2-95	70189	5-7	70929	5-10, 6-10
59668	2-47	70196	5-21, 6-19	70934	5-11, 6-11
59735	2-95	70197	5-21, 6-19	70935	5-11, 6-11
59967	2-95	70198	5-21, 6-19	70936	5-12, 6-12
60090	2-111, 3-13	70199	5-21, 6-19	70937	5-12, 6-12
60295	2-39	70200	5-21, 6-19	70938	5-17
61490	4-8, 4-9	70201	5-21, 6-19	70939	5-17
61920	3-33	70202	5-21, 6-19	70940	5-17
62471	2-111	70203	5-21, 6-19	70941	5-17, 6-17
630371	3-3	70204	5-21, 6-19	70942	5-17, 6-17
63175-1	3-9	70205	5-21, 6-19	70943	5-17, 6-17
63233	3-9	70206	5-21, 6-19	70944	5-17
63234	2-47	70207	5-21, 6-19	70945	5-17, 6-17
63244-2	3-3	70208	5-21, 6-19	70946	5-17, 6-17
63245-1	3-17	70209	5-21, 6-19	70947	5-17, 6-17
63430	3-43, 3-45	70210	5-21, 6-19	70948	5-17, 6-9
63448	3-43, 3-45	70211	5-21, 6-19	70949	5-17
63451	3-43, 3-45	70212	5-21, 6-19	70950	5-17
63468	2-71	70213	5-21, 6-19	70951	5-17
63810	2-21, 2-87, 3-3, 3-5, 3-11, 3-21, 3-23, 3-29, 3-31, 3-47	70563	2-59, 2-61	70952	5-17
63923	4-22	70622	2-15	70953	5-17
64379	2-57	70623	2-15	70954	5-17, 6-17
64425	2-71, 2-73, 2-75, 2-77, 2-79, 3-7	70709	2-15	70955	5-17, 6-17
64743	3-17	70717	2-15	70956	5-19, 6-18
64778	3-47	70887	5-3, 6-3	70957	5-19
65145-1	2-109	70888	5-3, 6-3	70964	5-23
65180	2-71	70889	5-4, 6-4	70965	5-23, 6-20
65215	2-113	70890	5-4	70966	5-23, 6-20
65230	4-9	70891	5-4	70967	5-23, 6-20
65241	4-8	70893	5-4	70968	5-23, 6-20
65441	2-47	70895	5-5	70972	5-25, 6-23
65580	3-45	70896	5-5	70973	5-25, 6-23
65695	2-59, 2-61	70897	5-5, 6-5	70974	5-25, 6-23
66187	5-4, 6-4	70899	5-5	70975	5-13
66194	5-5, 6-5	70900	5-7, 6-7	70976	5-13
66204	5-17, 6-17	70901	5-7, 6-7	70977	5-13, 6-13
66205	5-8	70902	5-7, 6-7	70978	5-13, 6-13
66207	5-17, 6-17	70903	5-7, 6-7	70979	5-13
67004	3-43, 3-45	70904	5-7, 6-7	70980	5-28
67555	2-63	70905	5-7, 6-7	70982	5-29, 6-27
67767	2-37, 2-47	70906	5-7, 6-7	70983	5-29, 6-27
67811	2-109	70907	2-21, 5-7, 6-7	70984	5-29, 6-27
68106	2-21	70909	5-7	70985	5-30
68866	2-47	70910	5-7	70986	5-30
68869	2-39	70911	2-21, 5-7, 6-7	70987	5-30
69173	2-115, 2-117	70912	5-7, 6-7	70988	5-30
69234	2-27, 2-29	70913	5-7, 5-10, 6-7, 6-10	70989	5-30, 6-28
69582	2-45	70915	5-8	70991	5-30, 6-28
69657	3-43, 3-45	70916	5-8	70992	5-30, 6-28
69659	3-43, 3-45	70917	5-8	70994	5-31, 6-29
69785	2-82	70919	5-8, 6-8	70998	5-3, 6-3
70096	4-7	70920	5-8, 6-8	70999	6-3
70100	4-7	70921	5-9	71204	2-67
70157	2-7	70922	5-9	71340	2-41
70165	2-21, 5-28, 6-23	70923	5-9, 6-9	71341	2-41
		70924	5-9, 6-9	71367	2-45
		70925	5-9, 6-9	71369	2-63
		70926	5-9	71385	2-21

# CROSS REFERENCE

Part Number	Page Number	Part Number	Page Number	Part Number	Page Number
71388	2-21, 2-31, 2-33	73488	5-11, 6-11	73571	5-27, 6-25
71556	2-103	73489	6-11	73572	5-27, 6-25
71607	2-75, 2-79	73491	5-12, 6-12	73573	5-27, 6-25
71726	2-113	73492	5-12, 6-12	73574	5-27, 6-25
71727	2-115, 2-117	73493	5-12, 6-12	73575	5-27, 6-25
71729	2-59, 2-61, 4-8	73494	5-12, 6-12	73576	5-27, 6-25
71735	2-103	73495	5-12	73577	5-27, 6-25
71741	2-103	73496	5-12	73578	5-27, 6-25
71868	3-9	73497	5-12, 6-12	73579	5-27, 6-25
71869	3-9	73498	5-12, 6-12	73580	5-27, 6-25
71874	3-9	73499	5-12, 6-12	73581	5-27, 6-25
71941	2-17	73500	5-12, 6-12	73582	5-27, 6-25
71985	5-3, 6-3	73501	5-12	73585	5-27, 6-25
71986	5-3, 6-3	73502	5-12, 6-12	73586	5-27, 6-25
71987	5-3, 6-3	73503	5-12	73588	5-27, 6-23, 6-25
71988	5-3, 6-3	73504	5-12, 6-12	73589	5-27, 6-23, 6-25
71989	5-3	73505	5-12	73590	5-27, 6-23, 6-25
71990	5-3, 6-3	73506	5-12, 6-12	73592	5-13
71991	5-3, 6-3	73507	5-12, 6-12	73593	5-13, 6-13
71992	5-3, 6-3	73508	5-12, 6-12	73594	5-13, 6-13
71993	5-3, 6-3	73509	5-15, 6-15	73595	5-13
71995	5-4, 5-13, 6-28	73510	5-15	73596	5-13, 6-13
71996	5-5, 6-5	73511	5-15, 6-15	73597	5-13, 6-13
71997	5-5, 6-5	73512	5-15, 6-15	73598	5-13, 6-13
71999	5-5	73513	5-15, 6-15	73599	5-13, 6-13
72010	5-5, 6-5	73514	5-15, 6-15	73600	5-13, 6-13
72011	5-7	73515	5-15, 6-15	73601	5-13, 6-13
72012	5-7	73516	5-15, 6-15	73602	5-13, 6-13
72013	5-7, 6-7	73517	5-15, 6-15	73603	5-13, 6-13
72014	5-7, 6-7	73518	5-15, 6-15	73604	5-13, 6-13
72015	5-7, 6-7	73519	5-15, 6-15	73605	5-28
72016	5-7, 6-7	73520	5-17, 6-17	73606	5-28, 6-26
72017	5-7	73521	5-17, 6-17	73607	5-28
72018	5-7, 5-29	73522	5-17, 6-17	73610	5-28, 6-26
72019	6-7	73523	5-17, 6-17	73618	5-29
72897	2-49	73524	5-17, 6-17	73619	5-29, 6-27
72926	2-41	73525	5-17, 6-17	73620	5-29
72968	3-45	73526	5-17, 6-17	73621	5-29, 6-27
72970	2-15	73527	5-17, 6-17	73622	5-29, 6-27
72993	5-7, 6-7	73528	5-17, 6-17	73623	5-29, 6-27
72994	5-7, 5-11, 6-7	73529	5-17, 6-17	73624	5-29, 6-27
72995	5-7, 5-31	73530	5-17, 6-17	73625	5-29, 6-27
72996	5-8, 5-11, 5-31	73532	5-17, 6-17	73626	5-29, 6-27
72997	5-8	73533	5-19, 6-18	73627	5-30
72998	5-9, 6-9	73534	5-19	73628	5-30
72999	5-9	73535	5-19	73629	5-30
73027	2-15	73545	5-21, 6-19	73630	5-30
73260	3-3, 4-22	73547	5-21, 6-19	73631	5-30, 6-28
73281	2-41	73551	5-21, 6-19	73632	5-31, 6-29
73342	4-3	73554	5-23, 6-20	73633	5-31, 6-29
73411	2-47	73555	5-23, 6-20	73634	5-31, 6-29
73433	3-3	73560	5-23, 6-20	73636	5-31
73468	3-3	73561	5-25, 6-23	73736	2-11
73471	2-37	73562	5-25, 6-23	73737	2-33
73479	5-9, 6-9	73563	5-25, 6-23	74077	2-19
73481	5-11, 6-11	73565	5-25, 6-23	74090	2-85, 2-91
73482	6-10	73567	5-27, 6-25	74094	4-8, 4-9
73483	5-10, 6-10	73568	5-27, 6-25	74095	4-8
73484	5-10, 6-10	73569	5-27, 6-25	74098	4-8, 4-11, 4-17, 4-19
73487	5-11, 6-11	73570	5-27, 6-25	74099	4-8

# CROSS REFERENCE

Part Number	Page Number	Part Number	Page Number	Part Number	Page Number
74100	4-8, 4-9	78830	4-3	9000846	3-37, 3-39
74122	4-5	78833	4-3	9000879	3-35, 3-37, 3-38, 3-39
74123	4-5	78836	4-3	9001310	3-47
74125	4-5	78838	4-3	9001314	3-41
74165	4-5	78839	4-3	9001316	3-52
74166	4-5	78840	4-3	9001321	3-33
74167	4-5	78841	4-3	9001327	3-35
74168	4-5	78842	4-3	9001331	3-37
74180	4-7	78843	4-3	9001334	3-43, 3-45
74183	4-21	78875	4-22	9001338	3-51
74185	4-21	78950	4-23	9001717	3-39
74193	4-21	78951	4-23	9001718	3-38
74196	4-21	78952	4-23	9002382	2-7
74222	4-21	79273-1	3-21, 3-23	9002383	2-7
74225	4-7	79273-2	2-87	9002398	2-113
74226	4-7	79380	2-93	9002399	2-5
74232	4-21	79399	2-21	9002400	2-5
74233	2-93, 4-10	79484	3-3	9002401	2-5
74237	4-7	79497	3-3	9002410	2-7
74243	4-21	79506	2-85, 2-91	9002411	2-35
74244	4-21	79729	4-5	9002412	2-37
74245	4-21	79828	4-5	9002435	2-11
74250	4-8, 4-9	80288	2-7	9002683	2-95
74405	2-21, 5-21, 6-19	80395	2-69, 2-85, 2-91	9002684	2-93
74440	2-47	80409	2-71	9002708	4-3
74452	2-35	80950	2-71	9002709	4-3
74454	2-95	81784	2-75, 2-79	9003008	4-24
74455	2-5, 2-37, 2-111	81952	2-71	9003009	4-24
75456-3	2-93	82727	2-7	9003068	2-82
75456-4	2-93	82739	2-55	9003069	2-81
75968	2-15	82839	3-11	9003070	2-82
76099	2-65, 3-19, 3-23, 3-31	83874	1-1, 2-69	9003071	2-81
761490	2-5, 3-11	83879	2-47	9003130	1-1
762249	3-17	84170	2-47	9003313	2-89
762514	2-39	84596	2-41	9003424	2-7
763042	2-51	84597	1-1, 2-41	9003427	2-7
763090	2-63	84631	5-5	9003430	2-7
763114	3-17	84635	5-25, 5-27, 6-23, 6-25	9003449	2-89
763115	3-38, 3-39	84636	5-13, 6-13	9003453	2-11
763116	2-37, 2-53, 3-17, 3-23, 3-31	84638	5-23, 6-20	9003455	2-93
76316	2-115, 3-15	84644	5-25, 6-23	9003461	2-93
76426	2-89	84647	5-3	9003611	2-25
76570	2-21, 2-31, 2-33, 2-85, 2-91	84648	5-27, 6-25	9003793	2-85
768481	2-15	84649	5-27, 6-25	9003794	2-91
76888	2-13	84650	5-27, 6-25	9003868	6-8
76955	2-33	84651	5-27, 6-23, 6-25	9003869	6-8
76957	2-31	84660	3-53	9003870	6-8
769785	3-47	86508	3-3	9003888	6-4
77003	4-11, 4-17	86636	2-89	9003891	6-18
77005	4-11, 4-13, 4-15, 4-17	86659	2-43	9003934	2-25
77006	4-17	86751	2-45	9003958	2-25
77097	2-57, 2-67, 2-75, 2-79, 2-115, 2-117, 3-9	86759	3-7	9004117	2-81
77098	2-63, 3-9	86866	2-63	9004283	6-28
77221	2-149	87536	2-11	9004335	6-3
78043	2-27	87631	2-59, 2-61	9004337	6-3
78398	3-3, 4-3	87738	2-27	9004338	6-4
78829	4-3	87816	2-75, 2-79	9004339	6-4
		87866	1-1, 2-11	9004340	6-5
		9000355	2-25	9004341	6-5
		9000845	3-35, 3-38	9004346	6-7

<b>Part Number</b>	<b>Page Number</b>	<b>Part Number</b>	<b>Page Number</b>
9004347	6-7	9004493	2-69
9004348	6-4	9004514	4-24
9004349	6-9	9004515	3-27, 4-24
9004350	6-9	9004775	6-28
9004358	6-15	9004881	2-11
9004361	6-17	9006001	5-4
9004363	6-17	9006060	1-1
9004368	6-13	9006398	2-59, 2-61
9004369	6-13		
9004371	6-13		
9004372	6-13		
9004373	6-13		
9004374	6-26		
9004375	6-26		
9004376	6-23		
9004379	6-28		
9004381	6-28		
9004382	6-28		
9004385	6-27		
9004386	6-27		
9004389	6-20		
9004390	6-20		
9004393	6-20		
9004395	6-21		
9004396	6-21		
9004397	6-21		
9004398	6-21		
9004399	6-21		
9004400	6-21		
9004401	6-21		
9004402	6-8		
9004403	6-8		
9004404	6-8		
9004405	6-8		
9004406	6-8, 6-11		
9004407	6-8		
9004409	6-12		
9004410	6-12		
9004431	6-3		
9004432	6-7		
9004433	6-10		
9004435	6-4		
9004436	6-9		
9004437	6-9		
9004438	6-9		
9004439	6-9		
9004440	6-15		
9004441	6-17		
9004442	6-18		
9004443	6-18		
9004444	6-18		
9004445	6-13		
9004446	6-26		
9004447	6-26		
9004448	6-28		
9004449	6-27		
9004450	6-20		
9004451	6-20		
9004454	6-23		
9004475	4-19		

**PART DESCRIPTION TO PAGE NUMBER CROSS REFERENCE LIST**

**A**

Ace, Thrust, Motor, Hyd [En], 4-9  
 Actuator, Govnr, Dsl, 2-21  
 Actuator, Valve, By-Pass [En], 4-7  
 Adapter, Actuator, Govnr, Eng, Dsl, 2-21  
 Adapter, Rod-End, Side Brush, 3-9  
 Alarm Assy, Backup, 12-24vdc  
     82-107dba, 3-33  
 Alarm Kit, Backup, Ci [M20 And T20], 3-33  
 Alarm, Warning [Sonalert, St628], 2-39  
 Alternator, 12vdc, 075a [Valeo], 2-31, 2-33  
 Angle, Brace, Shrd, 2-19  
 Angle, Lh, 2-67  
 Angle, Mtg, Stil, .12 1.6 1.6 02.2l, 2-111  
 Angle, Mtg, Valve, 3-11  
 Angle, Retainer, 2-51  
 Angle, Rh, 2-67  
 Angle, Sppt, Fan, 2-93  
 Angle, Sppt, Tank, Rear, 2-81  
 Arm [Positioning], 2-47  
 Arm Wldt, Alternator, Dsl, 2-31, 2-33  
 Arm Wldt, Lift, Sqge, Lh, 2-79  
 Arm Wldt, Safety, Sppt, Seat, .38d 06.5d,  
     2-13  
 Arm Wldt, Safety, Sppt, Seat, .38d 10.1l,  
     2-89  
 Arm Wldt, Sqge, Lift, Rh, 2-75  
 Arm, Alternator, Dsl, 2-31  
 Arm, Cntrl, Pintle, Centering, 2-47  
 Arm, Lever, Brake, 4.1 [Knott], 2-43  
 Arm, Link, 3-9  
 Arm, Pinch, 2-85, 2-91  
 Arm, Pintle, 2-47  
 Arm, Rocker [Ku], 6-12  
 Arm, Sqge, Side, Lh, 2-79  
 Arm, Sqge, Side, Rh, 2-75  
 Armature, Motor [Ku], 6-19  
 Assembly Apparatus, Idle, 5-28  
 Assembly Bolt, Adjusting, 5-28  
 Assembly Camshaft, 5-15  
 Assembly Case, Main Bearing 1, 5-9  
 Assembly Case, Main Bearing 2, 5-9  
 Assembly Case, Main Bearing 3, 5-9  
 Assembly Case, Main Bearing, 5-9  
 Assembly Cock, Drain, 5-3  
 Assembly Connecting Rod, 5-17  
 Assembly Lever, Fork, 5-30  
 Assembly Pipe, Over Flow, 5-23  
 Assembly Piston Ring 05, 5-17  
 Assembly Piston Ring, 5-17  
 Assembly Plate, Control, 5-29  
 Assembly Pump, Injection (See Injection  
     Pump Breakdown), 5-25  
 Assembly Pump, Injection, 5-27  
 Assembly Pump, Water, 5-8  
 Assembly Rocker Arm, 5-12  
 Assembly Rotor, Oil Pump, 5-7  
 Assembly Seal, Mechanical, 5-8  
 Assembly Shaft, Governor, 5-13  
 Assembly Shaft, R-arm, 5-12  
 Assembly Tappet, 5-27

Assy Armature, 5-21  
 Assy Bolt, 5-21  
 Assy Holder, Brush, 5-21  
 Assy Starter, 5-21  
 Assy Switch, Magneto, 5-21  
 Assy Yoke, 5-21

**B**

Bag, Power, 3-45  
 Ball, Cshft [Ku], 6-17  
 Ball, Relief, Oil [Ku], 6-7  
 Ball, 5-7, 5-17, 5-21  
 Band, Pipe, 5-23  
 Bar Wldt, Retainer, Sqge, Rear, 2-69  
 Bar, Flat, Ss, .06 X .50 X 10.0l 2/.19sl,  
     2-11  
 Bar, Flat, Stil 0.19, 01.50 X 04.1l, 2-41  
 Bar, Flat, Stil 0.38, 01.00 X 03.3l, 2-27  
 Bar, Isolator, Vacfan, 2-95  
 Bar, Mtg, Hppr Cover, 2-53  
 Bar, Mtg, Hppr, 2-51  
 Bar, Retainer, 3-7  
 Bar, Rnd, Plstc, 0.31d 12.5l, 2-81, 2-82  
 Base, Fitr, Oil [Ku], 2-21  
 Battery, Wet, 12Vdc 0600Cca, 2-39  
 Battery, Wet, 12vdc 0600cca, 1-1  
 Bearing [Ku], 6-8  
 Bearing Kit [CI], 4-21  
 Bearing, Ball [Ku], 6-13, 6-28  
 Bearing, Ball, 0.79b 1.85d 0.55w, 2-31  
 Bearing, Ball, 0.98b 2.05d 0.59w, 2-59,  
     2-61  
 Bearing, Ball, 1.18b 2.44d 0.63w, 2-43  
 Bearing, Ball, 5-8, 5-13, 5-30  
 Bearing, Case [Ku], 6-9  
 Bearing, Cone, 1.38b 0.71w, 2-41  
 Bearing, Cone, Pump, Hyd, 4-7  
 Bearing, Cshft [Ku], 6-17  
 Bearing, Cshft, -.2mm [Ku], 6-17  
 Bearing, Cshft, Std [Ku], 6-9, 6-17  
 Bearing, Cup, 2.56d 0.55w, 2-41  
 Bearing, Cup, 4-7  
 Bearing, Flng, 2-Hole, 0.50b, 2-15  
 Bearing, Flng, 2hole, 0.50b [Nyl], 2-15  
 Bearing, Pillowblock, 1.02b [Solid Pye],  
     2-45  
 Bearing, Rod, Connecting [-.2mm, Ku],  
     6-17  
 Bearing, Rod, Connecting [-.4mm, Ku],  
     6-17  
 Bearing, Rod, Connecting, Std [Ku], 6-17  
 Bearing, Self Align, 0.75b 1.25d, 2-63  
 Bearing, Self Align, 1.25b 2.00d, 2-49  
 Bearing, Split, 1.00b, 2-45  
 Bearing, Thrust [-.4mm, Ku], 6-17  
 Bearing, Thrust [Ku], 6-17  
 Bearing, Thrust, 0.53b 1.00d 0.03w, 3-9  
 Bearing, Thrust, Pump, Hyd, 4-7  
 Bearing, Thrust, Std [Ku], 6-17  
 Bearing, Thrust, 4-9

Bearing, 5-21, 6-19  
 Bellcrank, Lift, Sqge, 2-67  
 Belt Kit, W/ Installation Tool, 6-28  
 Belt, v, 37.0L [3V], 2-31  
 Belt, V, 37.5l [3v], 1-1, 2-31  
 Belt, V, 42.0L [Hc41], 1-1  
 Belt, V, 42.0l [Hc41], 2-33  
 Blade, Sqge, .38 3.55w 038.3l, Linatex,  
     1-1, 2-73, 2-77  
 Blade, Sqge, .38 3.55w 038.3l, Ure  
     (Option), 2-73, 2-77  
 Blade, Sqge, .38 3.55w 038.3l, Ure, 1-1  
 Blade, Sqge, Front, 49.58l Linatex, 1-1,  
     2-69  
 Blade, Sqge, Front, 49.58l Ure (Option),  
     2-69  
 Blade, Sqge, Front, 49.58l Ure, 1-1  
 Blade, Sqge, Rear, 53.78l Ure (Option),  
     2-69  
 Blade, Sqge, Rear, 53.78l Ure, 1-1  
 Blade, Sqge, Rear, Linatex, 1-1, 2-69  
 Block, Centering, 2-67  
 Block, Guide, Hppr, 2-5  
 Bolt [Ku], 6-4, 6-8, 6-11, 6-18, 6-23,  
     6-27, 6-29  
 Bolt, Bearing Case 2, 5-9  
 Bolt, Adjusting, 5-28  
 Bolt, Adjustment Assy [Ku], 6-26  
 Bolt, Bearing Case 1, 5-9  
 Bolt, Carriage, M06 X 1.0 X 30, 2-57  
 Bolt, Carriage, M10 X 1.5 X 70, 2-71  
 Bolt, Connecting Rod, 5-17  
 Bolt, Cylinder Head, 5-5  
 Bolt, Eye, .25-20 X 1.40 X .25 Eye, 2-47  
 Bolt, Eye, M08 X 1.25 X 070mm, 05.50  
     Eye, 2-75, 2-79  
 Bolt, Eye, M10 X 1.5 X 117mm, 8.0 Eye,  
     2-67  
 Bolt, Flng, 6-8  
 Bolt, Flywheel, 5-19  
 Bolt, Hex [Ku], 5-31, 6-13, 6-15, 6-23,  
     6-27, 6-29  
 Bolt, Motor, Hyd, 4-5  
 Bolt, Shld, .31d X 1.00, .25-20, 2-47  
 Bolt, Shld, 1.37d X 5.13l, 1.1-18 Drilled,  
     2-41  
 Bolt, 5-4, 5-5, 5-7, 5-8, 5-9, 5-11, 5-13,  
     5-15, 5-17, 5-19, 5-21, 5-25, 5-28,  
     5-29, 5-30, 6-7, 6-9, 6-11, 6-12,  
     6-19, 6-29  
 Boot, .63id .29l .90w, 2-11  
 Boot, 90deg .50id 1.00id 2.50l, Red, 2-31,  
     2-33  
 Boot, Bellows, 3.1l 4.4w 2.8h 1hole, Neo,  
     2-15  
 Boot, Switch, Ignition, 2-11  
 Bracket Wldt, Cooler, Hyd Fluid, 2-111  
 Bracket Wldt, Flap, Recirculation, 2-65  
 Bracket Wldt, Guard, Sqge, 3-51  
 Bracket Wldt, Latch, 2-17  
 Bracket Wldt, Mtg [Fast Gen 2+], 3-27

Bracket Wldt, Mtg [Fast], 3-19  
 Bracket Wldt, Mtg, Alternator, Dsl, 2-31, 2-33  
 Bracket Wldt, Mtg, Caster, 2-71  
 Bracket Wldt, Mtg, Eng, Front, Dsl, 2-21  
 Bracket Wldt, Mtg, Eng, Rear, Dsl, 2-21  
 Bracket Wldt, Mtg, Side Brush, 3-7  
 Bracket Wldt, Mtg, Sqge, 2-71  
 Bracket Wldt, Mtg, Tank, 2-7  
 Bracket Wldt, Pivot, Hppr Door, Lh, 2-57  
 Bracket Wldt, Propel, Pintle, 2-47  
 Bracket Wldt, Steering, Tilt, 2-15  
 Bracket Wldt, Tank, Soltn, Rh, 2-81  
 Bracket Wldt, Tilt, Rh, 2-15  
 Bracket, Clamp, Hose, 2-31  
 Bracket, Cover, 2-57  
 Bracket, Ftg, Bh, 2-37  
 Bracket, Guide, Shrd, 2-19  
 Bracket, Keeper, Latch, 2-82  
 Bracket, Latch, Cover, 2-19, 2-82, 3-49  
 Bracket, Latch, Keeper [Southco], 2-19  
 Bracket, Latch, Shrd, Seat, 2-13  
 Bracket, Lip, Hppr, 2-57  
 Bracket, Mtg [Ecu], 2-27  
 Bracket, Mtg [Fast Gen 2+], 3-27  
 Bracket, Mtg [Fast], 3-19  
 Bracket, Mtg, Air Fltr, Dsl, 2-29  
 Bracket, Mtg, Cable, 2-45  
 Bracket, Mtg, Coolant Tank, 2-27  
 Bracket, Mtg, Cover (Replaced by 9003893), 2-89  
 Bracket, Mtg, Cover, Recvy Tank, 2-89  
 Bracket, Mtg, Cyl, 2-75, 2-79  
 Bracket, Mtg, Detgt And Spray Wand, 3-5  
 Bracket, Mtg, Fan, 2-93  
 Bracket, Mtg, Fltr, Oil, Remote, 2-21  
 Bracket, Mtg, Govnr Control, Dsl, 2-27  
 Bracket, Mtg, Insulation, 2-7  
 Bracket, Mtg, Latch, Dsl, 2-37  
 Bracket, Mtg, Latch, Tank Cover, 2-81, 2-82  
 Bracket, Mtg, Lift, Scb Head, 2-63  
 Bracket, Mtg, Mirror, Rearview, 3-41  
 Bracket, Mtg, Motor, 2-93, 2-95  
 Bracket, Mtg, Prop Rod, 2-89  
 Bracket, Mtg, Rocker Arm [Ku], 6-12  
 Bracket, Mtg, Scb Head, Lh, 2-63  
 Bracket, Mtg, Scb Head, Rh, 2-63  
 Bracket, Mtg, Sensor, 2-47  
 Bracket, Mtg, Sheave, Dsl, 2-31  
 Bracket, Mtg, Skirt, Brush Door, 2-73, 2-77  
 Bracket, Mtg, Skirt, Door, Brush, 2-73, 2-77  
 Bracket, Mtg, Skirt, Door, 2-73, 2-77  
 Bracket, Mtg, Skirt, 2-65  
 Bracket, Mtg, Spray Handle, 3-47  
 Bracket, Mtg, Spray Wand [Fast, Conv], 3-47  
 Bracket, Mtg, Spring, 2-63  
 Bracket, Mtg, Sqge, 3-7  
 Bracket, Mtg, Strainer, 3-5  
 Bracket, Mtg, Switch, 2-55  
 Bracket, Mtg, Vacuum Wand, 3-43  
 Bracket, Mtg, Valve [Combined], 2-117

Bracket, Mtg, Valve, Hyd, Scb, 2-115  
 Bracket, Mtg, Valve, Hyd, Swp, 2-115  
 Bracket, Mtg, Valve, Lower, 2-117  
 Bracket, Mtg, Valve, 2-87, 3-3  
 Bracket, Mtg, 2-7  
 Bracket, Muffler, Hanger, Front, 2-35  
 Bracket, Pivot, Hppr Door, Rh, 2-57  
 Bracket, Propel, Dsl, 2-47  
 Bracket, Protector, Float Switch, 2-89  
 Bracket, Retainer, Pump, 3-27  
 Bracket, Retainer, Safety, 2-47  
 Bracket, Retainer, Shield, Heat, 2-35  
 Bracket, Retainer, Spring, 2-3  
 Bracket, Retaining, Cover (Replaced by 9003893), 2-89  
 Bracket, Retaining, Hose, 2-85, 2-91, 3-49  
 Bracket, Rocker Arm, 5-12  
 Bracket, Seat, Adj, 2-13  
 Bracket, Shield, Heat, 2-19  
 Bracket, Soltn, Tank, Cntr, 2-81  
 Bracket, Sppt, Alternator, Dsl, 2-31, 2-33  
 Bracket, Sppt, Cover, Tank, Recvy, 2-89  
 Bracket, Sppt, Radiator, Upper, 2-37  
 Bracket, Sppt, Revl Light, 3-33, 3-35, 3-37  
 Bracket, Sppt, Tank, Lh, 2-89  
 Bracket, Sppt, Tank, Rh, 2-89  
 Bracket, Tank, Soltn, Lh, 2-81  
 Bracket, Tilt, Lh, 2-15  
 Bracket, Valve, Sba [M20 And T20], 3-13  
 Brake Assy, Drum, Mech, 07.0d 1.2w, 2-43  
 Brush Assy, Disk, Scg, 16.0 D, Polypropylene, 2-3  
 Brush Assy, Disk, Scg, 16.0 D, Soft Nylon, 2-3  
 Brush Assy, Disk, Scg, 16.0 D, Super Abrasive, 2-3  
 Brush Assy, Disk, Swp, 24.0d, Polypropylene, 2-3  
 Brush, Swp / Scb, 40l, Heavy Duty Polypropylene, 2-2  
 Brush, Swp / Scb, 40l, Polyester, 2-2  
 Brush, Swp / Scb, 40l, Polypropylene, 2-2  
 Brush, Swp / Scb, 40l, Super Abrasive, 2-2  
 Brush, Swp / Scb, 40l, Wndw, Polypropylene, 2-2  
 Brushholder, 6-19  
 Bumper Wldt, Brush, Side, 3-7  
 Bumper, Rbr, 0.5d 0.16t M5 X 08, 2-47  
 Bumper, Rbr, 0.6d 0.34t .3d Tip, 2-111  
 Bumper, Sqge, 2-69  
 Bumper, Ure, 1.50d 1.25l, 3-51  
 Bush, Governor Gear, 5-3  
 Bush, Idle Gear, 5-15  
 Bush, Piston Pin, 5-17  
 Bushing, Eccentric, Adj, 2-85, 2-91  
 Bushing, Flng, 0.32b 0.50d 0.24l, Bnz, 2-71  
 Bushing, Flng, 0.50b 0.59d 0.38l, 2-85, 2-91  
 Bushing, Flng, 0.63b 0.75d 0.38l, 2-71, 2-73, 2-77  
 Bushing, Flng, 1.00b 1.13d 0.50l, 2-67  
 Bushing, Gear, Gov [Ku], 6-3

Bushing, Gear, Idler [Ku], 6-15  
 Bushing, Pin, Piston [Ku]16241-21351, 6-17  
 Bushing, Pivot, Door, 2-57  
 Bushing, Sleeve, 0.37b 0.50d 0.50l, Oib, 2-45  
 Bushing, Sleeve, 0.50b 0.59d 0.50l, Bnz, 3-9  
 Bushing, Sleeve, 0.62b 0.72d 0.50l, Fgl, 2-71  
 Bushing, Sleeve, 0.63b 0.72d 0.38l, 2-75, 2-79  
 Bushing, Sleeve, 0.75b 0.88d 0.25l, 2-85, 2-91  
 Bushing, Sleeve, 0.75b 0.88d 0.75l, Tef, 2-57  
 Bushing, Sleeve, 0.78b 0.86d 0.93l, Bnz, 2-43  
 Bushing, Sleeve, 0.88b 1.00d 0.75l, Bnz, 2-49  
 Bushing, Sleeve, 1.00b 1.13d 1.50l, Fgl, 3-9  
 Button, Cntrl, Horn, 2-15  
 Bypass Valve Kit, Pump, Repair,, 4-23

**C**

Cable, 06ga 16.0l Red .38ring /.38ring, 2-31, 2-33  
 Cable, Battery, 02ga 48.0l Red .41ring, 2-39  
 Cable, Battery, 02ga 60.0l Blk .41ring, 2-39  
 Cable, Glv .06d 012.0l .26eye /.26eye, 3-51  
 Cable, Glv .09d 016.5l .38eye /.38eye, 2-17  
 Cable, Glv .13d 015.8l .50eye /.50eye, 2-75, 2-79  
 Cable, Push / Pull, 063.0l 4.0, .31-24, 2-45  
 Cable, Push / Pull, 098.0l .25-28/.25-28, 2-47  
 Cam, Centering, Pintle, 2-47  
 Cam, Fuel, 5-13  
 Cam, Plt, Brake [Nickel], 2-43  
 Cam, Rear, 2-69  
 Cam, 2-69  
 Camshaft, Fuel, 5-13  
 Camshaft, 6-13  
 Cap Assy, Tank, Drain, 2-89, 4-3  
 Cap Screw Cl, 4-9  
 Cap Screw, 4-8  
 Cap, Arm, Lift, 2-55  
 Cap, Breather, Hyd, 2.4 Ds, 2-113  
 Cap, End, Valve, Steering, 4-21  
 Cap, Filler, Oil [Ku], 6-7, 6-10  
 Cap, Fuel, Tank, 2-25  
 Cap, Hub, Dust 2.57d 0.77l, 2-43  
 Cap, Radiator, 15psi, 3-7  
 Cap, Screw, Idler [Ku], 6-26  
 Cap, Sealing, 5-3, 5-5, 6-5  
 Cap, Tank, Fuel, 2.3neck 2.6d, 2-25  
 Cap, Tank, 3-5

## CROSS REFERENCE

- Cap, Valve [Ku], 6-12  
Cap, Valve, 5-12  
Cap, 5-28  
Cartridge, Psi Cntrl, Valve, Hyd, 4-13, 4-15, 4-17, 4-19  
Case, Main, Brg Assy, 6-9  
Caster, Pivot, 2-71  
Catch, Latch, Tank Cover, 2-81, 2-82  
Chain, Str, 4/0, 08 Link, 2-67  
Channel Wldt, Pivot, 3-9  
Channel, Shield, Muffler [M20/T20 2007], 2-35  
Channel, Upper, Tower, Lift, 2-5  
Chech Valve Kit, Pump, Repair,, 4-23  
Cir-clip, External, 5-12, 5-30  
Cir-clip, Governor Shaft, 5-13  
Cir-clip, Idle Gear, 5-15  
Cir-clip, Piston Pin, 5-17  
Clamp [Kubota], 6-8  
Clamp Wldt, Front, 2-69  
Clamp Wldt, Rear, 2-69  
Clamp, Cable, Ss, 1.12d X 0.38w, 1h, 2-87  
Clamp, Cable, Ss, 2.50d X 1.00w, 1h, 2-7  
Clamp, Cable, Stl, 0.25D X 0.56W, 1Hole, 3-35, 3-37  
Clamp, Cable, Stl, 0.44d X 0.62w, 1h, 2-111  
Clamp, Cable, Stl, 0.69d X 0.62w, 1h, 2-37, 2-47  
Clamp, Cable, Stl, 1.00d X 0.75w, 1h, 2-27, 2-29  
Clamp, Cable, Stl, 1.50d X 1.00w, 1h, 2-7, 2-37, 2-39, 2-111, 3-19  
Clamp, Cable, Stl, 1.50d X 1.00w, 1hole, 2-5  
Clamp, Hose, Heater [Ku], 5-31, 6-29  
Clamp, Hose, Plstc .351-.394 Id, 3-19  
Clamp, Hose, Wormdrive, 0.25-0.62d, .31w, 2-37, 3-3, 3-5, 3-27  
Clamp, Hose, Wormdrive, 0.31-0.88d, .31w, 2-25, 2-27, 2-39, 3-11, 3-17, 3-21, 3-23, 3-27, 3-29, 3-31  
Clamp, Hose, Wormdrive, 0.56-1.06d, .56w, 2-21, 2-87, 3-3, 3-5, 3-11, 3-21, 3-23, 3-29, 3-31, 3-47  
Clamp, Hose, Wormdrive, 0.81-1.50d, .50w, 2-37  
Clamp, Hose, Wormdrive, 1.06-2.00d, .56w, 2-35, 2-37  
Clamp, Hose, Wormdrive, 1.81-2.75d, .50w, 2-29  
Clamp, Hose, Wormdrive, 2.50-3.50d, .50w, 2-69, 2-85, 2-91  
Clamp, Hose, Wormdrive, 3.56-4.50D, .50W, 2-93  
Clamp, Hose, Wormdrive, 3.56-4.50d, .50w, 2-85, 2-91, 2-95  
Clamp, Hose, Wormdrive, 3.75-4.62d, .62w, 2-93  
Clamp, Hose, 5-10, 6-10  
Clamp, Hyd, 0.50d, 2-59, 2-61  
Clamp, Mtg, Fltr, Air, 2-29  
Clamp, Muffler, 1.62d, 2-35  
Clamp, Pipe 1, 5-23  
Clamp, Pipe 2, 5-23  
Clamp, Pipe, 6-20  
Clamp, Tube, Inj, Pipe #1 [Ku], 6-20  
Clevis, Adj, 0.25 Pin, 0.25-28 Rh, Pl, 2-45  
Clevis, Adj, 0.25pin, 0.25-28left Pl, 2-45  
Clevis, Adj, 0.31pin, 0.31-24, 2-45  
Clip, .250h, Plstc [Pine-Tree], 2-19  
Clip, Grip, Finger, .875-1.25, 3-47  
Clip, Grip, Finger, 1.00-1.88d White,Vyl, 3-43, 3-45  
Clutch, Over Running, 5-21  
Clutch, 6-19  
Collar 1, 5-30  
Collar, Crank, Front [Ku], 6-17  
Collar, Crankshaft, 5-17  
Collar, Gear [Ku], 6-15  
Collar, Govnr [Ku], 6-28  
Collar, Idle Gear 1, 5-15  
Collar, Idle Gear 2, 5-15  
Collet, Valve Spring, 5-12  
Column, Pump, Water, 4-3  
Column, Steering, 09.9l 0.86d 36tooth, 2-15  
Comp Idle Gear 1, 5-15  
Comp. Case, Gear, 5-7  
Comp. Crankshaft, 5-17  
Comp. Flywheel, 5-19  
Comp. Lever, Fork 1, 5-30  
Comp. Lever, Governor, 5-29  
Comp. Oil Pan (Rear Sump), 5-4  
Comp. Weight, Governor, 5-13  
Complete Pump Kit, Pump, Repair,, 4-23  
Connector, Fem, 02cav, Mp280 Sealed, 4-23  
Control, Fuel, 6-25  
Control, Govnr [All Purpose], 2-27  
Cooler, Hyd, 25gpm 325btu Of12 13x12x2, 2-111  
Cord, Ele, Glowplug, 6-20  
Cord, Glow Plug, 5-23  
Coupler, Pump, 4-7  
Coupling, Drive, Flex, 09.5d / 13tooth, 2-21  
Coupling, Nozzle, Spray, 3-47  
Cover Assy, Head, Cyl, 5-10  
Cover Kit, Soltn Tank, Rh [M20 & T20], 2-81  
Cover Kit, Switch, Float, Repair, 2-89  
Cover Kit, Tank, Soltn, Lh, Replmt, Ce (Japan and CE Only), 2-82  
Cover Kit, Tank, Soltn, Lh, Replmt, 2-82  
Cover Kit, Tank, Soltn, Rh, Replmt, Ce (Japan and CE Only), 2-81  
Cover Wldt [Fast], 3-19  
Cover, Bearing Case, 5-9  
Cover, Breather, 5-10, 6-10  
Cover, Brg Case, Eng [Ku], 6-9  
Cover, Cyl Head Assy [Ku], 6-10  
Cover, End, 4-7  
Cover, Fork Lever Shaft, 5-30  
Cover, Fuse, Block, 2-39  
Cover, Hole, Pump [Ku], 6-23  
Cover, Hole, Pump, Fuel [Ku], 6-23  
Cover, HpBracketpr, 2-53  
Cover, Hppr, 2-53  
Cover, Lever, Gov [Ku], 6-28  
Cover, Lower, 2-13, 2-19  
Cover, Oil Pump, 5-7  
Cover, Pump, Oil, 6-7  
Cover, Solenoid [Ku], 6-23  
Cover, Tank, Recvy, Trimmed, 2-89  
Cover, Tank, Soltn, Lh, Trimmed, Ce (Japan and CE Only), 2-82  
Cover, Tank, Soltn, Lh, Trimmed, 2-82  
Cover, Tank, Soltn, Rh, Trimmed, Ce (Japan and CE Only), 2-81  
Cover, Tank, Soltn, Rh, Trimmed, 2-81  
Cover, Tank, 2-89  
Cover, 5-7, 5-21, 5-28, 6-7, 6-19  
Crank Kit, Pump, F/79323, Replmt, 4-22  
Crankcase, Comp [Ku], 6-7  
Crankcase, Complt [Ku], 6-3  
Crankcase, Complt, 5-3  
Crankshaft Assy, 6-15  
Crankshaft, Metal [Ku], 6-9  
Crankshaft, 6-17  
Crossmember Wldt [M20], 2-71  
Cup Holder, Rwk, 2-11  
Cylinder, Hyd, 1.5b 07.8l 02.75strk 2500, 3-9  
Cylinder, Hyd, 1.5b 07.8l 02.80strk 2500, 2-63, 2-67, 2-75, 2-79, 3-9  
Cylinder, Hyd, 2.0B 24.1L 15.00Strk 3000, 2-49  
Cylinder, Hyd, 2.0b,15.2l,09.00strk,3000, 2-41

## D

- Detergent Pkg, 4 Liter, Sgl [Tco 665], 3-19  
Diaphragm Kit, Pump, Repair,, 4-23  
Diode, Ele, Plug, 2-39  
Dipstick, Oil [Ku], 6-4  
Door Cyl, Hppr [Mako], 2-57  
Door Wldt, Brush, Idler, 2-59, 2-61  
Door Wldt, Brush, Lh, 2-79  
Door Wldt, Brush, Rh, 2-75  
Door Wldt, Brush, 2-59, 2-61  
Door Wldt, Hppr, 2-57  
Drive [Cl], 4-9  
Drive, Motor, Hyd, 4-5  
Drive, 4-8

## E

- Ear, Lifting, Eng [Ku], 6-5  
Element, Fltr, Air [Dn], 1-1, 2-29  
Element, Fltr, Air, Safety (Option), 2-29  
Element, Fltr, Fuel [Dn], 1-1, 2-27  
Element, Fltr, Oil, Spin-On [Ku], 1-1  
Element, Fltr, Oil, Spin-On, 2-22  
End Cap, Motor, Hyd [En], 4-9  
End Cap, 4-8  
Engine Assy, Dsl, 37Hp [Ku V1505] (See Engine Breakdown), 2-21



Engine Assy, Dsl, 37hp [Ku] (See Engine Breakdown), 2-21  
 Extinguisher Kit, Fire, Ci [M20 And T20], 3-52  
 Extinguisher, Fire, 2.5 Lb Dry, 3-52  
 Eye, Joint [Ku], 6-23

**F**

Fan Kit, Scrub, Replmt [M20/T20], 2-93  
 Fan Wldt, Vac, Inlet, 2-95  
 Fan, Cooling, 14.1d, 6 Blade, 0.5b Taper, 2-31, 2-33  
 Fast 665 4 Ltr, Detergent, 3-27  
 Fast Kit, Ci, Injector Filters[Fast li+], 4-24  
 FaST Kit, Ci, Injector Rebuild[FaST II+], 4-24  
 Fast Kit, Ci, Injector Seals [Fast li+], 4-24  
 FaST Kit, Injector, Ci[M20/M30 FaST II+], 4-24  
 Fast Kit, Injector, Ci[M20/M30 FaST II+], 3-27  
 Fastener, 12.7Mm X 9.5Mm, Ss [Staple], 2-17  
 Filter Assy [Pt4 936498], 1-1, 2-113  
 Filter Assy, Air, Mold, Ure, 3-19  
 Filter Assy, Air, 2-29  
 Filter Assy, Fuel, Dsl, 2-27  
 Filter Wldt, Hppr (Replaced By 9003774), 2-51  
 Filter, Foam, Rbr, 1.20d, 1.0l, 3-21, 3-23  
 Filter, In-Line, Pf06/Pf06 080mesh 02.6l, 3-27  
 Filter, In-Line, Pf06/Pf06, 80 Mesh, 3-17  
 Filter, Oil [Ku], 6-4  
 Filter, Panl, Dust, 4.2 X 20.0 X 30.0, 1-1, 2-53  
 Filter, Soltn, 020mesh, Pm12 3.2d 08.0l, 3-5  
 Filter, Soltn, 20mesh, Pm12 3.1d 02.6l, 1-1, 2-82  
 Fitting Assy, Orifice, 0.070b, Pf04/Pf04, 3-17  
 Fitting Assy, Orifice, 0.093b, Pf04/Pf04, 3-17  
 Fitting Kit, Hose, Garden, 3-3  
 Fitting, Brs, Breather [02mp], 2-55  
 Fitting, Brs, E45, Pf02/Pm02, 2-21  
 Fitting, Brs, E90, Bm08/Pm04, 3-17  
 Fitting, Brs, E90, Cf03/Pf02, 3-19  
 Fitting, Brs, E90, Em05/Pm02, 2-27  
 Fitting, Brs, E90, Em05/Pm04, 2-25  
 Fitting, Brs, E90, Pm02/Bm03, 2-25, 2-55, 3-5  
 Fitting, Brs, Qdc, Bm12/Qf08, 3-3  
 Fitting, Brs, Qdc, Pf08 [Parker Bh3f], 3-3  
 Fitting, Brs, Str, Bm03/Pm02, 2-55  
 Fitting, Brs, Str, Bm04/Pm02, 3-19  
 Fitting, Brs, Str, Bm08/Pm04, 3-17  
 Fitting, Brs, Str, lf05/Pm04, 2-27  
 Fitting, Brs, Str, Pf02/Pm04, 3-17  
 Fitting, Brs, Str, Pf04/Pm06, 2-37  
 Fitting, Brs, Str, Pf06/Pf06 Bh, 3-47

Fitting, Brs, Str, Pf06/Pm12, 3-47  
 Fitting, Brs, Str, Pm04/Pm04, 3-17  
 Fitting, Brs, Str, Pm08/Garden Hose, 3-47  
 Fitting, Brs, Tee, Pf04/Pf04/Pf04, 3-17  
 Fitting, Brs, Tee, Pm04/Pf04/Pf04, Run, 3-27  
 Fitting, Draincock [Ku], 6-3  
 Fitting, Draincock, E90, .25npt, 2-37  
 Fitting, E, Gr, 4-3  
 Fitting, Fltr, Oil [Ku], 6-7  
 Fitting, Fuel [Ku], 6-20  
 Fitting, Grease, Str Pm04 .47l, 2-49, 2-57, 2-63, 2-71  
 Fitting, Grease, Str Pm04 .63l, 2-41  
 Fitting, Hyd, Cap, Jf04, 2-111  
 Fitting, Hyd, Cap, Jf08, 2-111, 3-13  
 Fitting, Hyd, E45, Jf10/Jm10, 2-101  
 Fitting, Hyd, E45, Jm04/Om04, 3-13  
 Fitting, Hyd, E45, Jm04/Om06, 2-41, 2-49  
 Fitting, Hyd, E45, Jm06/Om04, 2-93  
 Fitting, Hyd, E45, Jm06/Om06, 2-41, 2-115  
 Fitting, Hyd, E45, Jm08/Om08, 2-93, 2-115, 2-117, 3-13  
 Fitting, Hyd, E45, Jm08/Om10, 2-109  
 Fitting, Hyd, E45, Jm10/Om12, 2-41  
 Fitting, Hyd, E45, Jm12/Om16, 2-113  
 Fitting, Hyd, E45, Jm20/Om20, 2-113  
 Fitting, Hyd, E90, Jf04/Jm04, 2-115, 3-13  
 Fitting, Hyd, E90, Jf06/Jm06, 3-13  
 Fitting, Hyd, E90, Jf08/Jm08, 2-15  
 Fitting, Hyd, E90, Jm04/Om04, 2-57, 2-67, 2-75, 2-79, 2-115, 2-117, 3-9  
 Fitting, Hyd, E90, Jm04/Om06, 2-49  
 Fitting, Hyd, E90, Jm04/Pm02, 2-113  
 Fitting, Hyd, E90, Jm06/Om04, 2-63, 3-9  
 Fitting, Hyd, E90, Jm06/Om06, L, 2-115  
 Fitting, Hyd, E90, Jm06/Om06, Long, 2-117  
 Fitting, Hyd, E90, Jm06/Om06, 2-15, 2-115, 2-117, 3-13  
 Fitting, Hyd, E90, Jm06/Om08, 2-109  
 Fitting, Hyd, E90, Jm08/Om08, L, 2-115  
 Fitting, Hyd, E90, Jm08/Om08, Long, 2-117  
 Fitting, Hyd, E90, Jm08/Om08, 2-59, 2-61, 2-95, 2-109, 2-115, 3-13  
 Fitting, Hyd, E90, Jm08/Om10, 2-109, 3-7  
 Fitting, Hyd, E90, Jm08/Om16 Metric, 2-21  
 Fitting, Hyd, E90, Jm08/Pm08, 2-21  
 Fitting, Hyd, E90, Jm10/Om12, 2-109  
 Fitting, Hyd, E90, Jm12/Om12, L, 2-111  
 Fitting, Hyd, E90, Jm12/Om12, 2-111  
 Fitting, Hyd, E90, Om04/Qm04, 2-115, 2-117, 3-13  
 Fitting, Hyd, Plug, Jm08, 2-21  
 Fitting, Hyd, Plug, Om04, 2-117, 4-11, 4-17, 4-19  
 Fitting, Hyd, Plug, Om06, 2-113, 2-117  
 Fitting, Hyd, Plug, Om08, 4-7, 4-17  
 Fitting, Hyd, Plug, Om10, 2-113  
 Fitting, Hyd, Rst, Jf04/Jm04, .028, 2-49  
 Fitting, Hyd, Rst, Spcl, 2-75, 2-79  
 Fitting, Hyd, Str, Jf04/Qm04, 2-115, 3-13

Fitting, Hyd, Str, Jm04/Om04, 2-59, 2-115, 2-117, 3-13  
 Fitting, Hyd, Str, Jm04/Om06, 3-13  
 Fitting, Hyd, Str, Jm06/Om04, 2-95  
 Fitting, Hyd, Str, Jm06/Om06, L, 2-15  
 Fitting, Hyd, Str, Jm06/Om06, Long, 2-117, 3-15  
 Fitting, Hyd, Str, Jm06/Om06, 2-15, 2-113, 3-13, 3-15  
 Fitting, Hyd, Str, Jm08/Om06, 2-15  
 Fitting, Hyd, Str, Jm08/Om08, 2-95, 2-109, 2-113, 3-13  
 Fitting, Hyd, Str, Jm08/Om10, 3-7  
 Fitting, Hyd, Str, Jm08/Pm08, 2-21  
 Fitting, Hyd, Str, Jm10/Om10, Long, 2-117  
 Fitting, Hyd, Str, Jm10/Om10, 2-115  
 Fitting, Hyd, Str, Jm10/Om12, 2-41  
 Fitting, Hyd, Str, Jm20/Om16, 2-109  
 Fitting, Hyd, Str, Metric, Om10/lf05, 2-27  
 Fitting, Hyd, Str, Om04/Qm04, 2-115, 3-13  
 Fitting, Hyd, Str, Pf02/Pm04, 2-25, 2-27  
 Fitting, Hyd, Str, Pm02/Pm02, 2-27  
 Fitting, Hyd, Str, Spcl, 2-21  
 Fitting, Hyd, Tee, Jf06/Jm06/Jm06, Run, 2-95  
 Fitting, Hyd, Tee, Jm06/Jm06/Om06, Run, 2-115, 3-15  
 Fitting, Hyd, Tee, Jm08/Jm08/Om08, Br, 2-93, 2-115, 2-117  
 Fitting, Nyl, Qdc, E90, Bm08/ Qm10, 3-27  
 Fitting, NylY, Qdc, E90, Bm06/ Qm10, 3-27  
 Fitting, Pipe, E90, Pf02/Pm02, 3-19  
 Fitting, Pipe, Plug [Ku], 5-31, 6-3, 6-5, 6-7, 6-29  
 Fitting, Pipe, Plug, Pm02, Sq Head, 2-25  
 Fitting, Pipe, Plug, Pm08, Sq Head, 2-87  
 Fitting, Pipe, Water [Ku], 5-8, 5-31, 6-8  
 Fitting, Plstc, Body, Spray, Pf04, 3-17  
 Fitting, Plstc, Cap, Pf12 Hex, 2-87  
 Fitting, Plstc, Cap, Spray, Pf04, 3-17  
 Fitting, Plstc, E90, Bm06/Bm06, 3-5  
 Fitting, Plstc, E90, Bm06/Pm04, Nyl, 3-27  
 Fitting, Plstc, E90, Bm06/Pm12, Nyl, 3-3  
 Fitting, Plstc, E90, Bm08/Pf08s, Swivel, 3-17, 3-47  
 Fitting, Plstc, E90, Bm08/Pm06, 3-47  
 Fitting, Plstc, E90, Bm08/Pm12, Nyl, 3-17, 3-21, 3-23, 3-27  
 Fitting, Plstc, E90, Bm10/Pm08, 3-3  
 Fitting, Plstc, E90, Bm10/Pm12, 3-3  
 Fitting, Plstc, E90, Bm12/Pf12, 3-5  
 Fitting, Plstc, E90, Bm12/Pm08, 3-3  
 Fitting, Plstc, E90, Bm12/Pm12, 3-3, 3-5, 3-17, 3-27  
 Fitting, Plstc, E90, Pf Bm [Es Pump], 4-3  
 Fitting, Plstc, E90, Pf12/Pm12, 2-82  
 Fitting, Plstc, Pf12/Pf12, Bh, 2-82, 3-3  
 Fitting, Plstc, Pipe, Cap, Pf04, 3-19, 3-27  
 Fitting, Plstc, Rst, .50od /.13id, 3-23  
 Fitting, Plstc, Str, Bm04, Cplg, Fem, 3-19, 3-27  
 Fitting, Plstc, Str, Bm06/Pm04, 3-27  
 Fitting, Plstc, Str, Bm06/Pm06, 3-27

## CROSS REFERENCE

Fitting, Plstc, Str, Bm08/Pf08s, Swivel, 3-47  
Fitting, Plstc, Str, Bm08/Pm06, 3-17  
Fitting, Plstc, Str, Bm08/Pm12, 3-21, 3-23  
Fitting, Plstc, Str, Bm12/Bm12, 2-87  
Fitting, Plstc, Str, Bm12/Pm08, Nyl, 3-3, 4-3  
Fitting, Plstc, Str, Bm12/Pm12, 2-87  
Fitting, Plstc, Str, Pm04, Cplg, Mal, 3-19, 3-27  
Fitting, Plstc, Str, Pm08/Pm08, 3-3  
Fitting, Plstc, Str, Pm12/Pm12 1.60l, 3-3, 3-17, 3-27  
Fitting, Plstc, Tee, Bm04/Bm04/Bm04, 3-27  
Fitting, Plstc, Tee, Bm04/Bm08/Bm08, Br, 3-17  
Fitting, Plstc, Tee, Bm08/Bm08/Bm08, 3-17  
Fitting, Plstc, Tee, Bm08/Bm12/Bm12, Br, 3-21, 3-23, 3-29, 3-47  
Fitting, Plstc, Tee, Bm12/Bm12/Bm12, 2-87, 3-11  
Fitting, Plstc, Tee, Pf08/Pf08/Pf08, 3-3  
Fitting, Plstc, Tee, Pf12/Pf12/Pf12, 3-3, 3-17, 3-27  
Fitting, Plstc, Y, Bm08/Bm08/Bm08, Nyl, 3-23, 3-27, 3-31  
Fitting, Plug [Ku], 6-3  
Fitting, Plug, Org, #6, Valve [Cec], 4-11, 4-13, 4-15, 4-17, 4-19  
Flange Mounting, 4-8  
Flange, Motor, Hyd [En], 4-9  
Flange, Pump, Water [Ku], 5-8, 6-8  
Flange, Sleeve [Ku], 6-25  
Flange, Sleeve, 5-27  
Flange, Water [Ku], 5-31, 6-29  
Flap, Battery, 2-11  
Flapper, Valve, Pump, Water, 4-3  
Flywheel, 6-18  
Follower, Screw, Pump, Injection[Ku], 6-23, 6-25  
Frame Wldt, Lift, Hppr, 2-49  
Frame Wldt, Main, Replmt [m20 & T20], 2-5  
Frame Wldt, Sqge, Lh, 2-77  
Frame Wldt, Sqge, Rh, 2-73  
Frame Wldt, Sqge, Side Brush, 3-7  
Frame, Drive End, 5-21  
Frame, End, Drive, 6-19  
Frame, End, 5-21, 6-19  
Fuel Pump Cover Plate, 5-25  
Fuelline, .31d 04.0l 05if/05if, Stil, 2-27  
Fuse, 015a, 2-39

### G

Gasket [Ku], 6-11, 6-20, 6-26  
Gasket Ku, 5-11  
Gasket Set, Lower, 5-4  
Gasket Set, Upper, 5-5, 6-5  
Gasket Set, 6-4  
Gasket, .25 1.88d 1.0id [Poron], 4-3

Gasket, 3.23id 3.63od .16th, Ure, 2-89  
Gasket, 4.05id 5.29od .19 [Buna], 2-89, 4-3  
Gasket, Bearing Case Cover, 5-9  
Gasket, Bearing Case, 5-9  
Gasket, Bearing, Case [Ku], 6-9  
Gasket, Case, Gear [Ku], 6-7, 6-9  
Gasket, Cover, Fuse Block, 2-39  
Gasket, Cover, Gov [Ku], 6-28  
Gasket, Cover, Head, Cyl [Ku], 6-10  
Gasket, Cover, Recvy Tank, 2-89  
Gasket, Cover, Spd [Ku], 6-27  
Gasket, Cylinder Head, 5-5  
Gasket, Delivery Valve, 5-27  
Gasket, Ex-manifold, 5-11  
Gasket, F/ Bolt [Ku], 6-10, 6-20, 6-26, 6-27  
Gasket, F/ Screw [Ku], 6-23, 6-25  
Gasket, Ftg, Banjo [Ku], 6-23, 6-25  
Gasket, Fuel Pump, 5-25  
Gasket, Gear Case, 5-7  
Gasket, Head Cover, 5-10  
Gasket, Head, Cyl [Ku], 6-5  
Gasket, Hppr, Transition, 2-95  
Gasket, Hsg, Thermostat [Ku], 5-31, 6-29  
Gasket, Manifold, Exhaust, 6-11  
Gasket, Manifold, Intake [Ku], 5-11  
Gasket, Manifold, Intake [Ku], 6-11  
Gasket, Oil Pan, 5-4  
Gasket, Pan, Oil, 6-4  
Gasket, Plt, Hose, Vacuum, 2-93  
Gasket, Pump, Fuel [Ku], 6-23  
Gasket, Pump, Water [Ku], 6-8  
Gasket, Sender, Fuel, 2-25  
Gasket, Solenoid, Throttle [Ku], 2-21, 6-23  
Gasket, Sqge, 1-1, 2-69  
Gasket, Thrtl Blk, 5-28  
Gasket, Valve, Injector [Ku], 6-25  
Gasket, Water Pump, 5-8  
Gasket, 5-3, 5-4, 5-10, 5-23, 5-27, 5-28, 5-29, 5-30, 5-31, 6-3, 6-29  
Gasspring, 180lb, 03.0strk, 2-13  
Gauge, Oil [Ku], 6-4  
Gauge, Oil, 5-4  
Gauge, Sensing, Level, 2-113  
Gear, Camshaft [Ku], 6-15  
Gear, Camshaft, 5-15  
Gear, Crankshaft, 5-17  
Gear, Cshft [Ku], 6-17  
Gear, Governor, 5-13  
Gear, Govnr [Ku], 6-13  
Gear, Idler, Cam [Ku], 6-15  
Gear, Injection Pump, 5-13  
Gear, Injection, Pump [Ku], 6-13  
Gear, Oil Pump Drive, 5-17  
Gear, Pump, Oil [Ku], 6-17  
Gear, Ring [Ku], 6-18  
Gear, Ring, 5-19  
Gear, 5-21, 6-19  
Geroler, Motor, Hyd, 4-5  
Gerotor Set [Cl], 4-9  
Gerotor Set, 4-8  
Glowplug [Ku], 6-20

Grill Wldt, Front, 2-17  
Grill, Eng, 2-19  
Grill, Side, 2-13  
Grip, Handle, 2-85, 2-91  
Grommet, Pye, 0.37id, F/1.5h, .13 Matl, 3-5  
Grommet, Rbr, 0.50id, F/0.8h, .12 Matl, 3-38, 3-39, 3-41  
Grommet, Rbr, 0.62id, F/0.9h, .06 Matl, 2-55  
Grommet, Rbr, 0.62id, F/0.9h, .12 Matl, 3-5  
Grommet, Rbr, 1.06id, F/1.4h, .19 Matl, 2-55  
Grommet, Rbr, 1.50id, F/1.8h, .19 Matl, 2-55  
Grommet, Rbr, 2.13id, F/2.5h, .12 Matl, 3-17, 3-27  
Guard Kit, Sqge, Ci [M20], 3-51  
Guard Wldt, Sqge, 3-51  
Guard Wldt, Brush, Side, 3-11  
Guard Wldt, Sqge [M20/T20 Lh, M30 Rh], 3-51  
Guard Wldt, Sqge [M20/T20 Rh, M30 Lh], 3-51  
Guard Wldt, Sqge [M20/T20/M30], 3-51  
Guard Wldt, Sqge, Rear, Pntd, 3-51  
Guard Wldt, Top, Ohg, 3-41  
Guide Assy, Oil Gauge, 5-4  
Guide, Exhaust Valve, 5-5  
Guide, Inlet Valve, 5-5  
Guide, Valve, Exhaust, 6-5  
Guide, Valve, Inlet, 6-5

### H

Handle Wldt, Drain, 2-89  
Handle, Valve, Pinch, Lh, 2-91  
Handle, Valve, Pinch, Rh, 2-85  
Harness [Fast, M20 And T20], 3-25  
Harness, Engine, Dsl [M20 T20], 2-147  
Harness, Headlight [M20 And T20], 2-147  
Harness, Hppr [M20], 2-147  
Harness, Hppr [M20/M30], 2-147  
Harness, Hppr, Cover [M20], 2-147  
Harness, Main [M20], 2-147  
Harness, Spray, Nozzle, 3-47  
Harness, Warning / Backup [M20 & T20], 3-33, 3-35, 3-37  
Harness, Warning / Ohg [M20], 3-38, 3-39  
Harness, Wire [Fast Gen 2], 3-32  
Head, Cyl, W/O Valves, 5-5  
Head, Cyl, 5-5  
Head, Cylinder [Ku], 6-5  
Headlight, 12vdc, 27watt, 2.1a, Oval, 2-5  
Hinge Wldt, Shrd, Lh, 2-19  
Hinge Wldt, Shrd, Rh, 2-13  
Hinge, .38pin .11 3.5w 06.0l 6/0.38sl, 2-17  
Hinge, .50pin .19 4.0w 06.0l 3/0.44sl, 2-75, 2-79  
Holder, Delivery Valve, 5-27  
Holder, Gear [Ku], 6-13  
Holder, Governor Gear, 5-13

Holder, Govnr [Ku], 6-13	Hose, Hyd, Med06, Jf06Str/Jf06Str, 042.0, 2-103	Hose, Hyd, Tc06, Jf06Str/Jf06Str, 062.0, 3-15
Holder, Valve, Inj [Ku], 6-25	Hose, Hyd, Med08, Jf08e90/Jf08str, 031.0, 2-103	Hose, Hyd, Tc08, Jf08e45/Jf08str, 26.0, 2-103
Holder,, 5-13	Hose, Hyd, Med08, Jf08e90/Jf08str, 032.0, 2-21	Hose, Hyd, Tc08, Jf08e45/Jf08str, 96.0, 2-101
Hook, Engine 1, 5-5	Hose, Hyd, Med08, Jf08str /Jf08e45, 21.0, 2-103	Hose, Hyd, Tc08, Jf08e90/Jf08str, 024.0, 2-103
Hook, Engine 2, 5-5	Hose, Hyd, Med08, Jf08str/Jf08str, 022.0, 2-105	Hose, Hyd, Tc08, Jf08E90/Jf08Str, 029.0, 2-103
Hopper, Debris, Rm-Hg, Trimmed, 2-51	Hose, Hyd, Med10, Jf10str/Jf10str, 41.0, 2-103	Hose, Hyd, Tc08, Jf08e90/Jf08str, 034.0, 3-15
Horn, 12vdc, DbA [Wolo], 2-39	Hose, Hyd, Med10, Jf10Str/Jf10Str, 036.0, 2-103	Hose, Hyd, Tc08, Jf08e90/Jf08str, 046.0, 2-103
Hose Assy, Sqge, 2-89	Hose, Hyd, Spcl, Jf04str/Jf04str, 115.0, 2-105	Hose, Hyd, Tc08, Jf08e90/Jf08str, 056.0, 3-15
Hose Assy, W/1cuff, 1.0d 09l 1.0/, 2-51	Hose, Hyd, Spcl, Jf04str/Jf04str, 121.0, 2-105, 2-107	Hose, Hyd, Tc08, Jf08e90/Jf08str, 13.0, 2-105
Hose Assy, W/2cuff, 1.5d 084l [Vacwand], 3-45	Hose, Hyd, Spcl, Jf04str/Jf04str, 127.0, 2-105	Hose, Hyd, Tc08, Jf08str/Jf08e90, 012.0, 3-13
Hose Assy, W/2cuff, 1.5d 84l [Vacwand], 3-43	Hose, Hyd, Spcl, Jf04str/Jf04str, 133.0, 2-105	Hose, Hyd, Tc08, Jf08str/Jf08e90, 031.0, 2-103
Hose, 0050, 04, lf05str / lm05str, 10.0, 2-27	Hose, Hyd, Spcl, Jf04str/Jf06str, 125.0, 2-107	Hose, Hyd, Tc08, Jf08str/Jf08str, 024.0, 2-103
Hose, 0300, 08, Jf08str / None, 19.0, 2-21	Hose, Hyd, Spcl, Jf10e45/Jf10str, 58.0 (Replaced by 1039148), 2-101	Hose, Hyd, Tc08, Jf08str/Jf08str, 031.0, 2-103
Hose, Afmkt, Coolant Recvy, 05ft, 2-37	Hose, Hyd, Spcl, Jf10e90/Jf10str, 63.0, 2-101	Hose, Hyd, Tc08, Jf08str/Jf08str, 034.0, 3-15
Hose, Afmkt, Pvc, Brd 0.38id 02ft, 3-5	Hose, Hyd, Spcl, Jf10str/Jf10str, 56.5, 2-101	Hose, Hyd, Tc08, Jf08str/Jf08str, 056.0, 3-15
Hose, Afmkt, Pvc, Brd 0.50id 02ft, 3-21	Hose, Hyd, Suc20, Jf20str /Jf20e90, 29.0, 2-103	Hose, Hyd, Tc08, Jf08str/Jf08str, 21.0, 2-103
Hose, Afmkt, Pvc, Brd 0.50id 03ft, 3-17	Hose, Hyd, Tc 06, Jf06str /Jf06e45, 56.0, 2-105	Hose, Hyd, Tc08, Jf08str/Jf08str, 48.0, 2-105
Hose, Afmkt, Pvc, Brd 0.50id 08ft, 3-17, 3-23	Hose, Hyd, Tc04, Jf04e45/Qm06, 026.0, 2-107	Hose, Hyd, Tc12, Jf12e90/Jf12str, 044.0, 2-103
Hose, Afmkt, Pvc, Brd 0.62id 01ft, 3-5	Hose, Hyd, Tc04, Jf04e45/Qm06, 028.0, 2-107	Hose, Hyd, Tco4, Jf04Str/Qm06, 028.0, 2-107
Hose, Afmkt, Pvc, Brd 0.75id 02ft, 3-5	Hose, Hyd, Tc04, Jf04str /Jf04e90, 70.0, 2-105	Hose, Hyd,Med04, Jf04str/Jf04str, 066.0, 2-101
Hose, Afmkt, Pvc, Brd 0.75id 08ft, 2-87, 3-3, 3-11	Hose, Hyd, Tc04, Jf04str /Jf04e90, 88.0, 2-105	Hose, Hyd,Med12, Jf12str/Jf12str , 66.0, 2-103
Hose, Afmkt, Pvc, Brd, 0.38id, 03ft, Clr, 3-27	Hose, Hyd, Tc04, Jf04str /Jf04str, 20.0, 3-15	Hose, Hyd, Tc 04, Jf04str /Jf04e45 , 35.0, 2-107
Hose, Afmkt, Pvc, Brd, 0.50ld, 01Ft, Clr, 3-27	Hose, Hyd, Tc04, Jf04str /Jf04str, 39.0, 3-15	Hose, Intake, Mold, 1.75id 1.75id Dsl, 2-29
Hose, Afmkt, Pvc, Brd, 0.50id, 08ft, Clr, 3-29, 3-31	Hose, Hyd, Tc04, Jf04str/Jf04str, 096.0, 2-105	Hose, Intake, Mold, 2.00id [Epdm], 2-29
Hose, Afmkt, Pvc, Brd, 0.75id, 08ft, Clr, 3-29, 3-47	Hose, Hyd, Tc06, Jf06e90/Jf06str, 040.0, 2-101	Hose, Pvc, Brd, 0.62id 0.88od 09.00l, 3-3
Hose, Afmkt, Pvc, Clr 0.25id 03ft, 3-19	Hose, Hyd, Tc06, Jf06e90/Jf06str, 104.0, 2-101	Hose, Pvc, Clr, 0.38id 0.56od 22.00l, 2-37
Hose, Afmkt, Pvc, Clr 0.38id 03ft, 2-27	Hose, Hyd, Tc06, Jf06str /Jf06e45, 54.0, 2-105	Hose, Pvc, Clr, 0.38id 0.56od 48.00l, 3-3, 3-5
Hose, Afmkt, Pvc, Clr 0.50id 08ft, 3-23	Hose, Hyd, Tc06, Jf06str /Jf06e90, 74.0, 3-15	Hose, Pvc, Clr, 0.50id 0.69od 26.00l, 3-11
Hose, Afmkt, Pvc, Clr, 0.25id, 02ft, 3-27	Hose, Hyd, Tc06, Jf06str /Jf06str, 23.0, 3-15	Hose, Pvc, Clr, 0.50id 0.69od 30.00l, 2-39
Hose, Afmkt, Pvc, Clr, 0.38id, 01ft, 3-27	Hose, Hyd, Tc06, Jf06str/Jf06str, 033.0, 3-15	Hose, Radiator, Lower, Dsl, 2-37
Hose, Afmkt, Pvc, Clr, 0.38id, 03ft, 3-27	Hose, Hyd, Tc06, Jf06str/Jf06str, 054.0, 2-105	Hose, Radiator, Upper, Dsl, 2-37
Hose, Afmkt, Pvc, Clr, 0.50id, 08ft, 3-31		Hose, Rbr, E90 1.25id 1.25id 04.2 03.1, 2-37
Hose, Afmkt, Pvc, Wir, 0.50id, 03ft, Clr, 3-27		Hose, Vacuum, 19.0l, 2-69
Hose, Afmkt, Vacuum, 0.16id 01ft, 3-5		Hose, Water [Ku], 5-31, 6-29
Hose, Afmkt, Vacuum, 0.16id, 03ft, 2-55		Hose, Water, Coil, 3-47
Hose, Air-Intk, Flex 4.00id 18.0l, 2-93		Housing Assy, Nozzle, 5-23, 6-20, 6-21
Hose, Drain, 3.00id X 48.0l, 2-85, 2-91		Housing Assy, Vacfan, Scrbr, 2-93
Hose, Flex, Vacuum, 3.5d 32.0l, 2-95		Housing Assy, Vacfan, Swpr, 2-95
Hose, Fuel [Ku], 6-20		Housing Kit, Pump, Water, 4-3
Hose, Fuel, 0.18id 29.0l, 2-27		
Hose, Fuel, 0.31id 22.0l, 2-27		
Hose, Fuel, 0.50id 21.0l, 2-25		
Hose, Heater, E90, 0.62id, 24.0 4.0, 3-31		
Hose, Hyd, Med04, Jf04e90/Jf04str, 016.0, 2-105		
Hose, Hyd, Med06, Jf06e90/Jf06str, 042.0, 2-103		
Hose, Hyd, Med06, Jf06e90l/Jf06str,038.0, 3-15		
Hose, Hyd, Med06, Jf06str/Jf06str, 018.0, 2-103		
Hose, Hyd, Med06, Jf06str/Jf06str, 022.0, 2-103		

## CROSS REFERENCE

Housing Wldt, Brush, Drive, 2-59, 2-61  
Housing Wldt, Swp, Scb, 2-63  
Housing Wldt, Vacfan, Front [528], 2-93  
Housing, Brg, Motor, Hyd, 4-5  
Housing, Flywheel, Mach [1505, Kubo],  
2-21  
Housing, Motor, Hyd [En], 4-9  
Housing, Sppt, Rear Wheel, 2-41  
Housing, Thermostat [Ku], 5-31, 6-29  
Housing, Valve, 4-5  
Housing, 4-7  
Housingl, 4-8  
Hsg & Switch Kit, Pump, Repair., 4-23  
Hub Assy, Wheel, 5 Bolt 4.50bc Taper B,  
2-41  
Hub, Drive, Brush, Disk, 1.00b [6t], 3-7  
Hub, Drive, Brush, Disk, 3hole 5.8bc[6t],  
2-3  
Hub, Drive, Brush, Disk, 3hole 5.8bc, 2-3

### I

Idler Assy, Brush, Replmt [M20/T20, M30],  
2-59, 2-61  
Idling, Apparatus [Ku], 6-26  
Impeller, 9.00d X 1.40w X 0.376b, 2-95  
Impeller, 9.5d, 18 Blade Mach, 2-93  
Impeller, Pump, Water [Ku], 6-8  
Impeller, Water Pump, 5-8  
Indicator, Press, 60psi, 2-113  
Indicator, Timing [Ku], 6-18  
Insert, Cap, Mount, Es Pump, 4-3  
Insert, Plt, Cam, Pump, Hyd, 4-7  
Instr. Repair Info, Motor, 4-8  
Instr, Maint, Wall Chart [M20], 3-53  
Instr, Motor, Hyd, Repair [En], 4-9  
Instr, Repair, Motor, Hyd, Gear, 4-5  
Instr, Repair, Pump, 4-7  
Instr, Seal Kit, Motor, 4-10  
Instr, Valve, Steering, Repair, 4-21  
Insulation, Acstc, Rnd, 0.8, 02.5d 0.5h,  
2-15  
Insulation, Flame-Retardant, 0.5, 2-19,  
2-25  
Insulation, Flame-Retardant, 0.50, 2-93  
Insulation, Flame-Retardant, 0.75-0.88,  
2-9, 2-93  
Insulation, Flame-retardant, 0.75-0.88,  
2-9, 2-13  
Insulation, Flame-Retardant, 1.0, 2-13  
Insulation, Shrd, Eng, Gusset, 2-19  
Insulation, Thermal, Hydraulic Blanket,  
2-113  
Insulation, 3-41  
Isolator, Rbr, 2-35  
Isolator, Vib, .50d, 2-21  
Isolator, Vib, Bshg, 1.1d 0.6l .4b 0.78h,  
2-37, 2-93, 2-95

### K

Key [Ku], 6-15, 6-17  
Key, Feather, 5-15  
Key, Ignition [Set Of 2], 1-1, 2-11  
Key, Motor, Hyd, 4-5  
Key, Shaft, Pump, Hyd, 4-7  
Key, Sq, 0.12 X 0.12, 0.50l, 2-31, 2-33  
Key, Sq, 0.12 X 0.12, 0.75l, 4-10  
Key, Sq, 0.12 X 0.12, 1.00l (Included With  
Motor), 2-93  
Key, Sq, 0.25 X 0.25, 1.25l, 2-59, 2-61  
Key, Woodruff [Ku], 6-13  
Key, Woodruff, 0.25 1.00 [Asa#0808], 4-9  
Key, Woodruff, 5-13  
Key-Wdruff 0.25 1.00, 4-8  
Key, 5-17  
Kit, Bellows, Pump, Detgt, 4-22  
Kit, Brush, Motor, Ele, 4-3  
Kit, Seal, Motor, Hyd, Gear[Barns], 2-93,  
4-10  
Kit, Seal, Motor, Hyd, 4-5  
Kit, Seal, Valve, Hyd [Cec], 4-10  
Kit, Valve, Check, Pump, Water, 4-3  
Knob Assy, Star, 1.12d 3ear M10, 2-71  
Knob, Star, 2.80d 4ear 1.1l .31-18 Pyp,  
2-69  
Knob, Tee, 2.5x1.0 1.1l 0.38-16 Plstc,  
2-15

### L

Label [Nfsi Certification], 2-149  
Label Kit, Panel, Replmt [M20], 2-11  
Label Set, Brush Indicator & Removal,  
2-149  
Label Set, Hi Temp, 2-149  
Label Set, Info/Hzrd, Swpr / Scrbr, Tj  
(Japan Only), 2-149  
Label Set, Info/Hzrd, Swpr / Scrbr, 2-149  
Label, Off-White [Fast] (Option), 2-149  
Label, Off-White, Es (Option), 2-149  
Label, Switch, Rocker [T20], 2-11  
Lamp Strobe, Amb [12-48 Vdc], 3-37, 3-39  
Lamp, 12vdc [Speaker], 2-5  
Lamp, Bulb, Lamp, Flsh, 3-35, 3-38  
Lamp, Bulb, Lamp, Strobe, 3-37, 3-39  
Lamp, Flasher, Amb [12-48 Vdc], 3-35,  
3-38  
Latch, Cover, 2-82  
Latch, Door [Southco 91-562-07], 2-19,  
2-73, 2-77  
Latch, Hook, 2-75, 2-79  
Latch, 2-13, 2-37, 2-53, 2-55, 2-59, 2-61,  
2-81, 2-82, 3-49  
Lens, Blue, Option, F/ Revl / Flsh Light,  
3-35, 3-37, 3-38, 3-39  
Lens, Lamp, Amb, Strobe/Flasher, 3-35,  
3-37, 3-38, 3-39  
Lens, Red, Option, F/ Revl / Flsh Light,  
3-35, 3-37, 3-38, 3-39  
Lever Assy, Fork [KU], 6-28  
Lever, Cntrl, Spd [Ku], 6-27

Lever, Engine Stop, 5-29  
Lever, Fork [Ku], 6-28  
Lever, Fork 2, 5-30  
Lever, Fork, Shaft [Ku], 6-28  
Lever, Plate, Cntrl [Ku], 6-27  
Lever, Speed Control, 5-29  
Lever, Stop [Ku], 6-27  
Light Kit, Flsh, Ci [M20 And T20], 3-35  
Light Kit, Flsh, W/Ohg, Ci[M20 And T20],  
3-38  
Light Kit, Revl, Ci [M20 And T20], 3-37  
Light Kit, Revl, W/Ohg, Ci [M20 And T20],  
3-39  
Light, Panl, 14vdc, , 1.1 X 1.0, 2-11  
Light, Tail, 12vdc, 2-55  
Link Assy, Rod-End, M12, 2-67  
Lock, Secondary, 2cav, Mp280 Sealed,  
4-23

### M

Magnet, Pickup, 2-21  
Maint Kit, 400hr, Dsl [M20/T20], 1-1  
Manifold Assy, Inlet, 5-11, 6-11  
Manifold, Bar, Spray, 37.5inch, 2-87  
Manifold, Exhaust [Ku], 6-11  
Manifold, Exhaust, Front, Down, 5-11  
Manual, Eng [Kubo, V1505e], 3-53  
Manual, Oprtr [M20 Dsl En], 3-53  
Manual, Oprtr [M20 Dsl Es], 3-53  
Manual, Oprtr [M20 Dsl Fr], 3-53  
Manual, Parts [M20 Dsl En/Jp], 3-53  
Manual, Service [M20 En], 3-53  
Mat, Floor, 2-7  
Metal, Crankpin 02, 5-17  
Metal, Crankpin 04, 5-17  
Metal, Crankpin, 5-17  
Metal, Crankshaft 1, 5-17  
Metal, Crankshaft 2, 5-17  
Metal, Crankshaft 3, 5-17  
Metal, Crankshaft1 02, 5-17  
Metal, Crankshaft1 04, 5-17  
Metal, Crankshaft2 02, 5-17  
Metal, Crankshaft2 04, 5-17  
Metal, Crankshaft3 02, 5-17  
Metal, Crankshaft3 04, 5-17  
Metal, Side 1 02, 5-17  
Metal, Side 1 04, 5-17  
Metal, Side 1, 5-17  
Metal, Side 2 02, 5-17  
Metal, Side 2 04, 5-17  
Metal, Side 2, 5-17  
Mirror, Convex, 0.50D, 3-41  
Molding, Afrmkt, Trim, Pvc, .08 .11, 1ft, 2-7  
Molding, Trim, Pvc, .18-.31 07.5l, 2-55  
Motor Kit, Pump, Repair., 4-23  
Motor Kit, Replmt [M20&T20], 2-93  
Motor, Ele [12vdc, Shaker], 2-53  
Motor, Ele, 12vdc, Pump, Water, 4-3  
Motor, Ele, Gear, 14vdc, Pump, Detgt,  
4-22  
Motor, Hyd Gear In 4.5 B 1500, 4-8

Motor, Hyd, Gear, [Ex] .194 R 3000 (See Breakdowns), 2-95  
 Motor, Hyd, Gear, [Int], 19.0 X 3000, 4-5  
 Motor, Hyd, Gear, Ext 0.19 Rh 3000, 4-10  
 Motor, Hyd, Gear, Int 04.5 Bi-Dir 1500 (See Breakdown), 2-59, 2-61  
 Motor, Hyd, Gear, Int 08.9 Bi-Dir 2500 (See Breakdown), 3-7  
 Motor, Hyd, Gear, Int 08.9 Bi-Dir 2500, 4-9  
 Motor, Hyd, Gear, Int 19.0 Bi-Dir 3000 (See Breakdown), 2-41  
 Motor, Starter, 12vdc [Kubota] (See Engine Breakdown), 2-21  
 Mount Wldt, Valve, Pinch, Lh, 2-91  
 Mount Wldt, Valve, Pinch, Rh, 2-85  
 Muffler, Exhaust, 2-35  
 Muffler, Vacfan, 4.0id, 2-95

**N**

Nipple, Hose, 3-47  
 Nozzle [Ku], 6-21  
 Nozzle Kit, Spray, Ci, 3-47  
 Nozzle, Spray, Gun, 3-47  
 Nozzle, Spring [Ku], 6-21  
 Nozzle, Wand, Plstc, 14.0l, 3-45  
 Nozzle, Wand, Plstc, 14.0lg, 3-43  
 Nozzle, 3-47  
 Nut [Ku], 6-21, 6-23  
 Nut, Cap [Ku], 6-26  
 Nut, Cap, Cam [Ku], 6-13  
 Nut, Cap, 5-10, 5-13, 5-25, 5-28  
 Nut, Coil, F/#8, 4-11, 4-13, 4-17  
 Nut, Coil, Nyl Patch, 4-15, 4-19  
 Nut, Flange [Ku], 6-20  
 Nut, Ftg, Hyd, 0.56-18, 2-111  
 Nut, Hex [Ku], 5-31, 6-7, 6-12, 6-19, 6-23, 6-26, 6-27  
 Nut, Hex, Cap, 6-10  
 Nut, Hex, Flng, M5 X 0.8, 2-49  
 Nut, Hex, Flng, M8 X 1.25, 2-73, 2-77, 2-111  
 Nut, Hex, Jam, .31-24, 2-45  
 Nut, Hex, Jam, .38-24, 2-21  
 Nut, Hex, Jam, .50-20, Lh, 2-63  
 Nut, Hex, Jam, .50-20, 2-63, 3-9  
 Nut, Hex, Jam, M20 X 1.5, 2-15  
 Nut, Hex, Lock, .25-20, Ni, Ss, 2-47  
 Nut, Hex, Lock, .25-20, Ni, 2-25, 2-93  
 Nut, Hex, Lock, .31-18, Ni, Thin, 2-13  
 Nut, Hex, Lock, .31-18, Ni, 2-13  
 Nut, Hex, Lock, .31-24, Ni, Thin, 2-95  
 Nut, Hex, Lock, .38-16, Ni, Ss, 2-31, 2-33, 3-9  
 Nut, Hex, Lock, .38-16, Ni, Thin, 2-47, 2-93, 2-95  
 Nut, Hex, Lock, .38-16, Ni, 2-31  
 Nut, Hex, Lock, .50-13, Ni, Ss, 2-71  
 Nut, Hex, Lock, .50-13, Ni, Thin, 2-63  
 Nut, Hex, Lock, .50-20, Ni, Thin, 2-63  
 Nut, Hex, Lock, .75-10, Ni, 2-41  
 Nut, Hex, Lock, #08-32, Ni, 2-11

Nut, Hex, Lock, M10 X 1.5, Ni, Ss, 2-51, 2-67, 2-71  
 Nut, Hex, Lock, M10 X 1.5, Ni, 2-21, 2-31, 2-37, 2-95, 2-111, 3-41, 3-51  
 Nut, Hex, Lock, M12 X 1.75, Ni, Ss, 2-63, 2-67  
 Nut, Hex, Lock, M12 X 1.75, Ni, 2-21, 2-22, 2-43  
 Nut, Hex, Lock, M4 X 0.7, Ni, Ss, 2-19, 2-47, 2-73, 2-77, 3-3  
 Nut, Hex, Lock, M4 X 0.7, Ni, 2-13, 2-19, 3-19  
 Nut, Hex, Lock, M4 X 0.70, Ni, 2-37  
 Nut, Hex, Lock, M5 X 0.8, Ni, Ss, 2-59, 2-61, 2-87, 3-11, 3-17, 3-23  
 Nut, Hex, Lock, M5 X 0.8, Ni, 2-13, 2-39  
 Nut, Hex, Lock, M5 X 0.80, Ni, Ss, 3-31, 3-33, 3-35, 3-37, 3-38, 3-39, 3-49  
 Nut, Hex, Lock, M5 X 0.80, Ni, 3-47  
 Nut, Hex, Lock, M6 X 1.0, Ni, 2-13, 2-15, 2-17, 2-39, 2-45  
 Nut, Hex, Lock, M6 X 1.0, Ss, Ni, 2-11, 2-53, 2-57, 2-65, 2-67, 2-87, 2-89  
 Nut, Hex, Lock, M6 X 1.00, Ni, Ss, 3-49  
 Nut, Hex, Lock, M6 X 1.00, Ni, 2-7, 2-27, 2-29, 2-31, 2-33, 2-37  
 Nut, Hex, Lock, M6 X 1.00, Ss, Ni, 2-35, 2-89  
 Nut, Hex, Lock, M8 X 1.25, Ni, Ss, 2-29, 2-35, 2-37, 2-47, 2-51, 2-53, 2-57, 2-59, 2-61, 2-65, 2-67, 2-69, 2-71, 2-73, 2-75, 2-77, 2-79, 2-81, 2-85, 2-91, 3-7, 3-11, 3-13  
 Nut, Hex, Lock, M8 X 1.25, Ni, 2-5, 2-7, 2-19, 2-22, 2-25, 2-31, 2-33, 2-37, 2-39, 2-45, 2-47, 2-75, 2-79, 2-95, 2-115, 3-13  
 Nut, Hex, Sltd, .75-16, 2-43  
 Nut, Hex, Sltd, 1.12-18, 2-41  
 Nut, Hex, Sltd, M20 X 2.5, 8, 2-59, 2-61  
 Nut, Hex, Std, .25-28, Lh, 2-45  
 Nut, Hex, Std, .25-28, 2-45, 2-47  
 Nut, Hex, Std, .31-18, 3-41  
 Nut, Hex, Std, #08-32, 2-21  
 Nut, Hex, Std, M10 X 1.50, 2-53  
 Nut, Hex, Std, M12 X 1.75, Ss, 2-75, 2-79  
 Nut, Hex, Std, M16 X 2.0, 2-17  
 Nut, Hex, Std, M3 X 0.5, 8, 2-53  
 Nut, Hex, Std, M5 X 0.8, 8, 2-47  
 Nut, Hex, Std, M8 X 1.25, Brs, 2-33  
 Nut, Hex, Std, M8 X 1.25, Ss, 2-75, 2-79  
 Nut, Hex, Std, M8 X 1.25, 2-7, 2-53  
 Nut, Hexagon, 5-21  
 Nut, Isolator, .38-16 Wall Th .015-.437, 3-43  
 Nut, Lock [Ku], 6-26  
 Nut, Low Crown, .50-20, 2-93  
 Nut, Motor, Hyd, 4-5  
 Nut, Nozzle [Ku], 6-21  
 Nut, Solenoid, 4-13, 4-17  
 Nut, T, M10 X 1.50 X 15.8od X 13.0l, 2-73, 2-77  
 Nut, T, M8 X 1.25 X 14.5od X 9.5l, 3-7

Nut, Wheel, .50-20 X 60 Angle, 2-41  
 Nut-Hxslot .75-16 Pltd, 4-8  
 Nut, 5-7, 5-11, 5-12, 5-25, 5-28, 5-29, 6-11, 6-19

**O**

O-Ring [Ku], 6-4, 6-27  
 O-Ring, 5-3, 5-4, 5-5, 5-7, 5-17, 5-21, 5-27, 5-29  
 Ohg Kit, Ci [M20 And T20], 3-41  
 Oil Filter, Plug, 5-7

**P**

Pad, Pedal, Brake, 3.96l 2.36w 0.75, 2-45  
 Pad, Tank, Hyd [W/Psa], 2-111, 2-113  
 Paint, Airdry, Blk, 12oz, 1-1  
 Paint, Airdry, Gray, 12oz [Enamel], 1-1  
 Paint, Airdry, Iron Gray, 12oz[Pwdr Coat], 1-1  
 Paint, Airdry, Off-White, 12oz, 1-1  
 Paint, Airdry, Teal, 12oz, Solid, 1-1  
 Pan, Oil, Dsl, 6-4  
 Panel Kit, Instmt, Repair [M20/M30], 2-11  
 Panel Wldt, Adj, 2-7  
 Panel Wldt, Dsl, Replmt [W/Fast], 2-7  
 Panel Wldt, Dsl, Replmt, TJ (Japan only), 2-7  
 Panel Wldt, Dsl, Replmt, TJ [W/Fast] (Japan only), 2-7  
 Panel Wldt, Dsl, Replmt, TJ, W/Es (Japan only), 2-7  
 Panel Wldt, Dsl, Replmt, 2-7  
 Panel Wldt, Dsl, W/ Es, Replmt, 2-7  
 Panel Wldt, Filler, 2-5  
 Panel, Access, Door, 2-7  
 Panel, Access, Floor, 2-7  
 Panel, Instmt, Rh, Dsl, Replmt, 2-11  
 Panel, Shrd, Fan, Dsl, 2-37  
 Pawl, Str, 2-59, 2-61  
 Pedal, Brake, Lock, 2-45  
 Pedal, Propel, 2-46  
 Pin Wldt, Front, 2-69  
 Pin Wldt, Lift (Replaced by 9003478), 2-71  
 Pin Wldt, Pivot, Hppr, 2-5  
 Pin Wldt, 3-9  
 Pin, 0.63d 01.8l, 1/M10h, 2cham, 2-71  
 Pin, 0.87d 01.8l, 1/M6 X 1.0, 1cham, Stl, 2-49  
 Pin, Arm, Safety, 2-49  
 Pin, Clamp, 5-27, 6-25  
 Pin, Clevis, 0.25d X 0.75l, 2-45  
 Pin, Clevis, 0.31d X 0.75l, 3-7  
 Pin, Clevis, 0.31d X 1.00l, 2-45  
 Pin, Clevis, 0.37d X 1.31l, 3-9  
 Pin, Clevis, 0.37d X 1.50l, 3-9  
 Pin, Clevis, 0.37d X 1.75l, 2-75, 2-79  
 Pin, Clevis, 0.37d X 1.75l, 2-57, 2-63, 3-9  
 Pin, Clevis, 0.37d X 2.00l, 2-67  
 Pin, Clevis, 0.50 D X 4.50l, 2-47  
 Pin, Clevis, 0.62d X 2.91l, 2-49

## CROSS REFERENCE

- Pin, Clevis, 0.75d X 2.00l, 2-63  
Pin, Clevis, 0.88d X 2.25l, 2-49  
Pin, Clevis, 30mmd X 200mml, 2-5, 2-55, 3-11  
Pin, Cotter, .062 X 0.50, 2-45  
Pin, Cotter, .094 X 1.00, 2-45, 2-49, 2-57, 2-67, 3-7, 3-9  
Pin, Cotter, .125 X 1.00, 2-47, 2-75, 2-79  
Pin, Cotter, .125 X 1.25, 2-59, 2-61  
Pin, Cotter, .125 X 2.00, 2-41  
Pin, Cotter, .156 X 1.25, 2-63  
Pin, Cotter, .156 X 2.00, 2-43, 2-55  
Pin, Cotter, Hair, 0.31d .058 Wir, 2-13  
Pin, Cotter, Hair, 0.38d .072 Wir, 2-63  
Pin, Cotter, Hair, 0.62d .120 Wir, 2-49  
Pin, Cotter, Hair, Dbl, 2-5, 3-11  
Pin, Dowel [Ku], 6-3  
Pin, Dowel, Cyl Block [1pk=4], 2-21  
Pin, Dowel, Pump, Hyd, 4-7  
Pin, Eng [Ku], 6-3  
Pin, Grvd, 0.43d 01.8l [303ss], 2-69  
Pin, Hitch, .375d X 3.12l, Pl, 3-7, 3-51  
Pin, Joint, Inj [Ku], 6-25  
Pin, Joint, 5-27  
Pin, Lift, Drain, 2-89  
Pin, Locking, Steering, Tilt, 2-15  
Pin, Pipe, 5-3  
Pin, Piston [Ku], 6-17  
Pin, Piston, 5-17  
Pin, Roll, .125 D X 0.75l, .125/.129, 2-55  
Pin, Spring [Ku], 6-12, 6-27  
Pin, Spring, 5-29  
Pin, Start Spring, 5-3  
Pin, Start, Spring, 6-3  
Pin, Straight [Ku], 6-3  
Pin, Straight, 5-3  
Pin, Tappet [Ku], 6-25  
Pin, Tappet Guide, 5-27  
Pin, Valve, Steering, 4-21  
Pipe, Breather [Ku], 5-11, 6-11  
Pipe, Clip [Ku], 6-20  
Pipe, Drain, 5-21  
Pipe, Fltr, Oil [Ku], 2-21  
Pipe, Fuel, Overflow [Ku], 6-20  
Pipe, Injection 1, 5-23  
Pipe, Injection 2, 5-23  
Pipe, Injection 3, 5-23  
Pipe, Injection 4, 5-23  
Pipe, Injector, # 4, 6-20  
Pipe, Over Flow, 5-23  
Pipe, Overflow, 6-20  
Pipe, Water [Kubota], 6-8  
Pipe, Water, Return, 6-29  
Pipe, Water, 5-10, 6-10  
Piston 05, 5-17  
Piston, Eng [Ku], 6-17  
Piston, Pump, Hyd, Gear, 4-5  
Piston, Ring Assy [Ku], 6-17  
Piston, 5-17  
Pivot Wldt, Brush, Side, 3-9  
Plate Assy, Orifice, 0.0105id, Green, 4-24  
Plate Wldt, Arm, Stop, 2-49  
Plate Wldt, Hose, Vacuum, 2-93  
Plate Wldt, Lift, Sqge, 2-67  
Plate Wldt, Mtg, Solenoid, 2-55  
Plate Wldt, Seat, 2-13  
Plate Wldt, Shakr, Side, 2-53  
Plate, Backing, Brake, 2-43  
Plate, Bottom, Hppr, 2-57  
Plate, Cam, 4-7  
Plate, Cntrl, Spd [Ku], 6-27  
Plate, Cover, 4-7  
Plate, Guard, Fan Shrd, Dsl, 2-37  
Plate, Guard, Fan, Shrd, Dsl, Replmt, 2-37  
Plate, Handle, 2-59, 2-61  
Plate, Hook, Latch, [M20], 3-49  
Plate, Hsng [Fast], 3-17  
Plate, Mtg, Latch, 2-81, 2-82  
Plate, Mtg, Light, 2-11  
Plate, Mtg, Prop Rod, 2-89  
Plate, Mtg, Pump, 3-47  
Plate, Mtg, Seal, 2-17, 2-37  
Plate, Mtg, Skirt, Scb Head, 2-65  
Plate, Mtg, Vacuum Wand, 3-43  
Plate, Mtg, Valve, 3-23, 3-31  
Plate, Mtg, 3-51  
Plate, Orifice, 0.070id, 3-17  
Plate, Orifice, 0.093id, 3-17  
Plate, Pin, Clevis, Upper, 2-49  
Plate, Retainer, Door, Dump, 2-57  
Plate, Seal, Sound, 2-19  
Plate, Shakr, Bar, 2-53  
Plate, Shakr, 2-53  
Plate, Shield, Heat, Dsl, Replmt, 2-35  
Plate, Skirt, Front, 2-65  
Plate, Spacer, Motor, Hyd [En], 4-9  
Plate, Sppt, Tank, 2-89  
Plate, Sppt, 2-45  
Plate, Stop, Brake, 2-45  
Plate, Tank, Bottom, 2-89  
Plate, Valve, Motor, Hyd, 4-5  
Plate, Valve, Pump, Hyd, 4-7  
Plate, Wear, Steering Valve, 4-21  
Plate, 5-27, 6-25  
Plug #10, 4-8  
Plug #4, 4-8  
Plug Assy [Cl], 4-21  
Plug Kit, Drain, Recvy, Ci [M20 & T20], 2-89  
Plug Orifice, Valve, Hyd, .140, 4-19  
Plug Wldt, Drive, Brush, Sweep, 2-59, 2-61  
Plug Wldt, Drive, Brush, 2-59, 2-61  
Plug, Cup, Sealing [Ku], 6-3, 6-5  
Plug, Drain, Expandable, 4.75-6.00, 2-89  
Plug, Drain, 5-4  
Plug, Eng [Ku], 6-3  
Plug, Expansion, 5-3  
Plug, Gauge, Oil [Ku], 6-4  
Plug, Glow, 5-23  
Plug, Hole, Rnd, 0.50h .03-.12, Blk Nyl, 2-11  
Plug, Hole, Rnd, 0.81h, Blk, 2-7  
Plug, Hole, Rnd, 0.88h .03-.12, Blk Nyl, 2-7  
Plug, Hole, Rnd, 1.00h .03-.12, Blk Nyl, 2-7  
Plug, Hole, Rnd, 1.25H .03-.12, Blk Nyl, 2-13  
Plug, Hole, Rnd, 2.50h .03-.25, Blk Nyl, 2-7  
Plug, Hole, Rt, Rocker Switch, .87 X 1.7, 2-11  
Plug, Hole, Soltn Tank, Blk Pyu, 2-81  
Plug, Hose, Pyu, 2-85, 2-91  
Plug, Oil Filler, 5-10  
Plug, Orifice, 0.060, Ss [Fast li+], 4-24  
Plug, Orifice, Valve, Hyd, .030, 4-11, 4-19  
Plug, Orifice, Valve, Hyd, .040, 4-13, 4-15, 4-19  
Plug, Orifice, Valve, Hyd, .046, 4-17, 4-19  
Plug, Orifice, Valve, Hyd, .063, 4-17  
Plug, Pump, Hyd, Gear, 4-5  
Plug, 4-5, 5-3, 5-5, 5-7  
Plunger, Pump, Inj [Ku], 6-25  
Plunger, Pump, 5-27  
Plunger, 3-43, 3-45  
Poppet, Pump, Hyd, Gear, 4-5  
Pully, Fan, 5-8  
Pump Assy, Column, Es (See Breakdown), 3-5  
Pump Assy, Column, Es, 4-3  
Pump Kit, Hyd, Rotating [Cessna], 4-7  
Pump, Diaphragm, 4-23  
Pump, Air, Ele, 12vdc, 3-19  
Pump, Detgt, 12vdc, 3-19  
Pump, Detgt, 14vdc, 150ml/Min 20psi (See Breakdown), 3-3  
Pump, Detgt, 14vdc, 150ml/Min 20psi, 4-22  
Pump, Diaphragm (See Breakdown), 3-47  
Pump, Fuel, 2-27  
Pump, Hyd, Gear, Ext, 3, 00.97 2500, Cw, 2-109  
Pump, Hyd, Piston, Var, 1.24 4000, Cw (See Breakdown), 2-109  
Pump, Hyd, Piston, Var, 1.24 4000, Cw, 4-7  
Pump, Injection [Kubo], 6-23, 6-25  
Pump, Oil, Eng [Ku], 6-7  
Pump, Oil, Pickup [Sump, Ku], 5-4  
Pump, Soltn, 13.7vdc, 65psi [Fast li+], 3-27  
Pump, Soltn, Ele, 12vdc [W/O Chk Valve], 3-17  
Pump, Water Assy [Ku], 6-8  
Push Rod, 5-15

## R

- Race Thrust, 4-8  
Race, Brg, Pump, Hyd, 4-7  
Rack, Control, 5-27  
Radiator, 2-37  
Receptacle, Lamp [Speaker], 2-5  
Relay, 12vdc, 40a, Spdt N/O, 2-27, 2-39, 3-17, 3-47  
Relay, 12vdc, 040a, Spdt No, 3-27  
Reservoir, Hyd, 10.0Gal, Replmt, 2-113  
Retainer, Boot, Steering Column, 2-15

Retainer, Gear, Starter [Ku], 6-19  
 Retainer, Motor, Hyd, 4-5  
 Retainer, Ring, Brake, 2-43  
 Retainer, Skirt, Front, 2-65  
 Retainer, Skirt, 2-65  
 Retainer, Spring [Ku], 6-12  
 Retainer, Spring, Valve [Ku], 6-12  
 Retainer, Spring, 2-67  
 Retainer, Sqge, Side, Lh, 2-77  
 Retainer, Sqge, Side, Rh, 2-73  
 Retainer, Sqge, 3-7  
 Retainer, Valve Spring, 5-12  
 Retainer, 5-21, 6-19  
 Ring [Ku], 6-17  
 Ring, Lock, 4-7  
 Ring, Motor, Hyd, 4-5  
 Ring, Mtg, Sqge, .50l, 2-69  
 Ring, Piston Assy [Ku], 6-17  
 Ring, Retainer, Steering Valve, 4-21  
 Ring, Retaining, Ext, 0.38d, [E-Ring], 2-69, 2-71  
 Ring, Retaining, Ext, 0.38d, [Selflock], 2-67  
 Ring, Retaining, Ext, 0.50d, Hd, 2-15  
 Ring, Retaining, Ext, 0.62d, Hd, 2-71  
 Ring, Retaining, Ext, 0.98d, [E-Ring], 2-45  
 Ring, Retaining, Ext, 1.00d, Basic, 2-59, 2-61  
 Ring, Retaining, Int, 2.00d, 2-49  
 Ring, Retaining, Pump, Hyd, 4-7  
 Ring, Retaining, 4-7  
 Ring, Snap [Ku], 6-13, 6-15  
 Ring, Snap, Piston [Ku], 6-17  
 Rivet, Blind, .125d X 0.54 X .25d, Alm, 2-81, 2-82  
 Rivet, Plstc, .250d X 0.898, 2-15  
 Rivet, Plstc, .250d X 0.90, 3-45  
 Rod Assy, Connecting [Ku], 6-17  
 Rod Wldt, Arm, Safety, 2-49  
 Rod, Push [Ku], 6-21  
 Rod, Push, Valve [Ku], 6-15  
 Rod, Thr, 2 End, .50-20 04.9l, Rh / Lh, 2-63  
 Rod-End, .25-28rh Fem 0.25b [Teflon], 2-47  
 Rod-End, .50-20lh Fem 0.50-20stud, 2-63  
 Rod-End, .50-20rh Fem 0.50b, 2-63  
 Rod-End, .50-20rh Mal 0.50b, 3-9  
 Rod, 2-45  
 Roller, Brg, 2-85, 2-91  
 Roller, 5-21

**S**

Screen Wldt, Hppr, 2-51  
 Screen, Pump, 3-5  
 Screen, Vacuum, 2-89  
 Screw, Adj, Rocker Arm [Ku], 6-12  
 Screw, Adj, Stop [Ku], 6-26  
 Screw, Adjusting, 5-12  
 Screw, Btn, M8 X 1.25 X 16, Ss, 3-11

Screw, Btn, M8 X 1.25 X 20, Blk, 2-73, 2-77, 3-49  
 Screw, Btn, M8 X 1.25 X 25, Ss, 3-7  
 Screw, Cap, Motor, Hyd, 4-5  
 Screw, Cap, 4-7  
 Screw, Flt [Ku], 6-7  
 Screw, Flt, .25-20 X 1.00, Al, 2-93  
 Screw, Flt, .38-16 X 1.50, Al, 2-93  
 Screw, Flt, M10 X 1.5 X 25, 10.9, 2-73, 2-77  
 Screw, Flt, M10 X 1.5 X 30, Ss 18-8, 2-57  
 Screw, Flt, M8 X 1.25 X 20, Blk, 2-73, 2-77  
 Screw, Flt, M8 X 1.25 X 25, 10.9, 2-57, 2-95  
 Screw, Flt, M8 X 1.25 X 25, 2-19  
 Screw, Flt, M8 X 1.25 X 30, Ss, 2-85, 2-91  
 Screw, Follow, 5-27  
 Screw, Hex [Ku], 5-31, 6-4, 6-5, 6-7, 6-11, 6-23, 6-25, 6-28  
 Screw, Hex, .25-14 X 0.75, Fmg/Ab, Ss, 2-89  
 Screw, Hex, .25-20 X 0.75, Ni, 2-95  
 Screw, Hex, .25-20 X 1.00, 5, 3-7  
 Screw, Hex, .25-20 X 1.75, Ss, 2-47  
 Screw, Hex, .25-20 X 2.25, Ss, 2-47  
 Screw, Hex, .31-18 X 0.75, Sems, 2-31  
 Screw, Hex, .31-18 X 1.00, G5, 2-33  
 Screw, Hex, .31-18 X 1.50, G5, 2-31  
 Screw, Hex, .31-24 X 0.75, Ni, 2-47  
 Screw, Hex, .38-16 X 0.75, Ni, 2-59, 2-61, 3-7  
 Screw, Hex, .38-16 X 0.88, 5, 3-51  
 Screw, Hex, .38-16 X 1.00, 5, 2-47  
 Screw, Hex, .38-16 X 1.25, 5, 2-109, 3-43  
 Screw, Hex, .38-16 X 1.25, Ni, 2-47  
 Screw, Hex, .38-16 X 1.50, Ss, 3-9  
 Screw, Hex, .38-16 X 2.00, Ss, 2-47  
 Screw, Hex, .38-16 X 3.00, G5, 2-31, 2-33  
 Screw, Hex, .50-13 X 1.50, 5, 2-63  
 Screw, Hex, .50-13 X 3.00, Ss18-8, 2-71  
 Screw, Hex, .75-10 X 4.00, 5, 2-41  
 Screw, Hex, #10-16 X 0.62, Fmg [Ab], 3-47  
 Screw, Hex, #10-16 X 0.62, Fmg, [Ab], 2-17  
 Screw, Hex, 10-24 X 0.50, Ss, 2-33  
 Screw, Hex, Case, Brg, Main [Ku], 6-9  
 Screw, Hex, Cshft [Ku], 6-17  
 Screw, Hex, Flywheel [Ku], 6-18  
 Screw, Hex, Head, Cyl [Ku], 6-5  
 Screw, Hex, M10 X 1.25 X 20, 8.8, 2-21  
 Screw, Hex, M10 X 1.25 X 25, 8.8, 2-21  
 Screw, Hex, M10 X 1.25 X 35, 8.8, 2-31, 2-33  
 Screw, Hex, M10 X 1.5 X 110, 8.8, 2-21  
 Screw, Hex, M10 X 1.5 X 16, 8.8, 2-15  
 Screw, Hex, M10 X 1.5 X 20, Ss, 2-53, 2-57  
 Screw, Hex, M10 X 1.5 X 25, 8.8, 2-5, 2-7, 2-21, 2-31, 2-111  
 Screw, Hex, M10 X 1.5 X 25, Ss, 2-49, 2-55, 2-63, 2-75, 2-79  
 Screw, Hex, M10 X 1.5 X 30, 8.8, 3-41

Screw, Hex, M10 X 1.5 X 30, Ss, 2-5, 2-57, 2-67, 3-11  
 Screw, Hex, M10 X 1.5 X 35, 8.8, 2-21, 2-29, 3-51  
 Screw, Hex, M10 X 1.5 X 40, 8.8, 2-95  
 Screw, Hex, M10 X 1.5 X 45, 8.8, 3-51  
 Screw, Hex, M10 X 1.5 X 80, 8.8, 3-51  
 Screw, Hex, M10 X 1.50 X 25, 8.8, 2-33  
 Screw, Hex, M10 X 1.50 X 60, 8.8, 2-53  
 Screw, Hex, M12 X 1.75 X 30, 8.8, 3-9  
 Screw, Hex, M12 X 1.75 X 30, Ss, 2-55  
 Screw, Hex, M12 X 1.75 X 40, 8.8, 2-43, 2-63  
 Screw, Hex, M12 X 1.75 X 55, Ss, 2-75, 2-79  
 Screw, Hex, M12 X 1.75 X 60, 8.8, 2-21  
 Screw, Hex, M16 X 2.0 X 90, 8.8, 2-17  
 Screw, Hex, M4 X 0.7 X 10, Fmg, 2-49  
 Screw, Hex, M4 X 0.7 X 12, 8.8, 3-19  
 Screw, Hex, M5 X 0.8 X 10, Fmg, 2-63  
 Screw, Hex, M5 X 0.8 X 12, Ss, 3-11  
 Screw, Hex, M5 X 0.8 X 16, Fmg, 3-43, 3-51  
 Screw, Hex, M5 X 0.8 X 20, 8.8, 2-13, 2-47, 2-49  
 Screw, Hex, M5 X 0.80 X 16, Fmg, 3-45  
 Screw, Hex, M6 X 1.0 X 12, Fmg, 2-5, 2-37, 2-111  
 Screw, Hex, M6 X 1.0 X 12, Ss, 3-49  
 Screw, Hex, M6 X 1.0 X 16, 8.8, 2-17, 2-27, 2-31, 2-37, 2-39, 2-45  
 Screw, Hex, M6 X 1.0 X 16, Fmg, 2-45, 2-47, 2-55, 2-65, 3-3, 3-17, 3-19  
 Screw, Hex, M6 X 1.0 X 16, Ss, 2-53  
 Screw, Hex, M6 X 1.0 X 20, 8.8, 2-13, 2-27, 2-29, 2-31  
 Screw, Hex, M6 X 1.0 X 20, 9.8, Sems, 2-49  
 Screw, Hex, M6 X 1.0 X 20, Ss, 2-35, 2-57, 2-87, 2-89  
 Screw, Hex, M6 X 1.0 X 25, 8.8, 2-55  
 Screw, Hex, M6 X 1.0 X 25, Ss, 2-75, 2-79  
 Screw, Hex, M6 X 1.0 X 35, Ss, 2-65  
 Screw, Hex, M6 X 1.0 X 40, 8.8, 2-27  
 Screw, Hex, M6 X 1.0 X 55, Ss, 2-89  
 Screw, Hex, M6 X 1.0 X 60, 8.8, 2-31, 2-45  
 Screw, Hex, M6 X 1.00 X 12, Ss, 2-82, 3-49  
 Screw, Hex, M6 X 1.00 X 16, 8.8, 2-7  
 Screw, Hex, M6 X 1.00 X 16, Ss, 3-27  
 Screw, Hex, M6 X 1.00 X 20, 8.8, 2-33  
 Screw, Hex, M6 X 1.00 X 20, 9.8, Sems, 2-15, 2-17, 2-27, 2-37  
 Screw, Hex, M6 X 1.00 X 25, 9.8 Sems, 2-11  
 Screw, Hex, M6 X 1.00 X 25, 9.8, Sems, 2-27  
 Screw, Hex, M6 X 1.00 X 25, Ss, 2-89  
 Screw, Hex, M8 X 1.25 X 100, 8.8, 3-13  
 Screw, Hex, M8 X 1.25 X 110, Ss, 2-69  
 Screw, Hex, M8 X 1.25 X 120, 8.8, Fl, 2-115

## CROSS REFERENCE

- Screw, Hex, M8 X 1.25 X 130, 8.8, 2-59, 2-61
- Screw, Hex, M8 X 1.25 X 16, 8.8, 2-89, 3-9
- Screw, Hex, M8 X 1.25 X 16, Ss, 2-59, 2-61, 2-85, 2-91
- Screw, Hex, M8 X 1.25 X 20, 8.8, 2-7, 2-13, 2-17, 2-19, 2-27, 2-35, 2-37, 2-41, 2-45, 2-93
- Screw, Hex, M8 X 1.25 X 20, Ss, 2-7, 2-13, 2-19, 2-29, 2-37, 2-53, 2-63, 2-65, 2-75, 2-79, 2-81, 2-85, 2-89, 2-91, 2-93, 2-115, 2-117, 3-3, 3-5, 3-19, 3-27, 3-33, 3-35, 3-37, 3-47
- Screw, Hex, M8 X 1.25 X 25, 8.8, 2-5, 2-7, 2-22, 2-25, 2-31, 2-33, 2-37, 2-53, 2-85, 2-91, 2-111, 2-113
- Screw, Hex, M8 X 1.25 X 25, 9.8, Sems, 2-5, 2-39, 2-55, 2-89, 2-95
- Screw, Hex, M8 X 1.25 X 25, Fmg, 2-65, 3-19, 3-23, 3-31
- Screw, Hex, M8 X 1.25 X 25, Ss, 2-47, 2-51, 2-57, 2-65, 2-67, 2-81, 3-7, 3-9, 3-13
- Screw, Hex, M8 X 1.25 X 30, 8.8, 2-21, 2-31, 2-33, 2-85, 2-91
- Screw, Hex, M8 X 1.25 X 35, 8.8, 2-45, 2-85, 2-91
- Screw, Hex, M8 X 1.25 X 35, Ss, Fl, 2-67
- Screw, Hex, M8 X 1.25 X 40, Ss, Ni, 2-47
- Screw, Hex, M8 X 1.25 X 45, Ss, 2-35, 2-71
- Screw, Hex, M8 X 1.25 X 50, 8.8, 2-47
- Screw, Hex, M8 X 1.25 X 50, Ss, Fl, 2-65
- Screw, Hex, M8 X 1.25 X 60, 8.8, Fl, 2-7
- Screw, Hex, M8 X 1.25 X 60, 8.8, 2-53, 2-67
- Screw, Hex, M8 X 1.25 X 60, Fl, 2-63
- Screw, Hex, M8 X 1.25 X 70, 8.8, 2-45
- Screw, Hex, M8 X 1.25 X 90, 8.8, 2-71
- Screw, Hex, W/ Washer [Ku], 6-10
- Screw, Motor, Hyd [En], 4-9
- Screw, Pan, #12-16 X 0.50, F/ Plstc, 2-89, 3-52
- Screw, Pan, M3 X 0.5 X 20, 4.8, 2-53
- Screw, Pan, M4 X 0.7 X 10, Ss, 2-73, 2-77
- Screw, Pan, M4 X 0.7 X 16, 4.8, 2-19
- Screw, Pan, M4 X 0.7 X 16, Ss, 2-19, 3-3
- Screw, Pan, M4 X 0.7 X 20, 4.8, 2-55
- Screw, Pan, M4 X 0.7 X 20, Ss, 2-55
- Screw, Pan, M4 X 0.7 X 25, 4.8, 2-13
- Screw, Pan, M4 X 0.7 X 35, Ss, 2-47
- Screw, Pan, M4 X 0.70 X 16, 4.8, 2-37
- Screw, Pan, M5 X 0.8 X 12, Ss, 2-13, 2-19, 2-53, 2-87, 3-17, 3-23
- Screw, Pan, M5 X 0.8 X 40, Ss, 2-59, 2-61, 3-17
- Screw, Pan, M5 X 0.80 X 45, 4.8, 3-47
- Screw, Pan, M6 X 1.0 X 16, Ss, 2-67
- Screw, Pan, M8 X 1.25 X 25, Blk, 2-7, 2-11, 2-13, 2-15, 2-19
- Screw, Pan, M8 X 1.25 X 25, Ss, 2-5
- Screw, Pan, Phl, 06-20 X 0.50, Fmg/Ab, 2-81, 2-82
- Screw, Pan, Phl, 12-16 X 0.50, F/ Plstc, 2-81, 2-82
- Screw, Pan, Phl, M5 X 0.80 X 12, Ss, 3-27, 3-31, 3-49
- Screw, Pan, Phl, M5 X 0.80 X 20, Ss, 3-33, 3-35, 3-37, 3-38, 3-39
- Screw, Pan, Phl, M6 X 1.00 X 35, Ss, 2-3
- Screw, Pan, 5-10
- Screw, Pump, Injection [Ku], 6-25
- Screw, Rod, Connecting [Ku], 6-17
- Screw, Set [Ku], 6-13, 6-15
- Screw, Set, #10-24 X 0.25, Ni, 2-53
- Screw, Set, 5-12, 5-13, 5-15
- Screw, Soc, .25-20 X 0.75, Al, 2-15
- Screw, Soc, .50-13 X 1.50, Al, 2-41
- Screw, Soc, M16 X 2.0 X 50, 12.9, 2-41
- Screw, Soc, M6 X 1.00 X 16, 12.9, 2-21, 2-31, 2-33
- Screw, Soc, M8 X 1.25 X 25, 12.9, 2-75, 2-79
- Screw, Soc, M8 X 1.25 X 35, 12.9, 2-75, 2-79
- Screw, Valve, Steering, 4-21
- Screw, W / Washer, 6-20
- Screw, With Washer, 5-23
- Screw, 4-8, 5-7, 5-23, 5-27
- Seal Kit, Cartridge, 2-117, 4-11, 4-13, 4-15, 4-17, 4-19
- Seal Kit, Motor [Cl], 4-9
- Seal Kit, Pump, Hyd, 4-7
- Seal Kit, Steering [Cl], 4-21
- Seal Replmt Kit, 4-8
- Seal, Afmkt, Bulb, 90, 0.50d, 02ft, 2-13
- Seal, Afmkt, Bulb, 90, 0.75d F/11ga 02ft, 2-13, 2-19
- Seal, Afmkt, Bulb, 90, 0.75d F/11ga 08ft, 2-7
- Seal, Afmkt, Bulb, Str, 1.0d F/11ga 08ft, 2-17
- Seal, Afmkt, Sponge, 0.88 1.00w 08ft, 2-17
- Seal, Afmkt, Ure, Adh, 0.38, 0.75w 08ft (Replaced By none), 2-53
- Seal, Bulb, Str, .50Hi .50W 047.2L, Adh, 2-81, 2-82
- Seal, Door, Dump, Side, 2-57
- Seal, Door, Dump, 2-57
- Seal, Drive, Rear, Grease Cav, 2-41
- Seal, Foam, 0.50, 2-7
- Seal, Heat [Ku], 6-20
- Seal, Heat, 5-23
- Seal, Mechanical Assy [Ku], 6-8
- Seal, Oil [Ku], 6-27
- Seal, Oil, Front [Ku], 6-7
- Seal, Oil, Rear [Ku], 6-9
- Seal, Oil, 5-7, 5-9, 5-29
- Seal, Org [Ku], 6-4, 6-7, 6-25
- Seal, Org, .069 X 3.06id, 2-109
- Seal, Org, .072 X 00.35id #04, 4-11, 4-17
- Seal, Org, .078 X 00.47id #06, 4-11, 4-13, 4-17
- Seal, Org, .078 X 00.47id 06, 4-15
- Seal, Org, .087 X 00.64id #08, 4-17
- Seal, Org, 2-21, 5-10, 6-7, 6-10, 6-19
- Seal, Panl, Instmt, 2-7
- Seal, Plug, Drain, Nitrile, 2-89
- Seal, Radiator, Upper, 2-39
- Seal, Radiator, 2-37
- Seal, Rbr, Clsd, 0.13, Instmt Panl, 2-11
- Seal, Shaft, Drain Plug, 2-89
- Seal, Stem, Valve [Ku], 6-12
- Seal, Ure, 0.38 0.75w 13.2l Adh, 2-95
- Seal, Ure, 0.38 0.75w 33.0l Adh, 2-95
- Seal, Valve Stem, 5-12
- Seal, Wire, 14/16ga [Wp / Mp280 Sealed], 4-23
- Seat, Spring Lower, 5-27
- Seat, Spring Upper, 5-27
- Seat, Spring, Lower, Injector [Ku], 6-25
- Seat, Spring, Upper, Injector [Ku], 6-25
- Seat, Suspension, W/1 Arm And Belt, 2-13
- Seat, Valve, 5-7
- Send-Unit, Fuel [2007], 2-25
- Send-Unit, Fuel, 2-25
- Send-Unit, Water, Temp, 04npt 113oh/195d, 2-113
- Sensor, Level, Liq, 14vdc 01a .62-11, 2-82, 2-89, 3-5
- Sensor, Spd / Dir, 6-30vdc, 2-47
- Shaft Wldt, Brake, 2-45
- Shaft Wldt, Pedal, Brake, 2-45
- Shaft, Brush, Idler, 2-59, 2-61
- Shaft, Fork Lever, 5-30
- Shaft, Governor [Ku], 6-13
- Shaft, Governor Weight, 5-13
- Shaft, Governor, Weight [Ku], 6-13
- Shaft, Govnr [Ku], 6-13
- Shaft, Govnr, 6-13
- Shaft, Idle Gear 1, 5-15
- Shaft, Idler, Gear [Ku], 6-15
- Shaft, Lever, Spd [Ku], 6-27
- Shaft, Motor, Hyd, 4-5
- Shaft, Mtg, Sheave, Dsl, 2-31
- Shaft, Output, Motor, Hyd [En], 4-9
- Shaft, Output, 4-8
- Shaft, Pump, Water, 4-3
- Shaft, Pump, 4-7
- Shaft, Rocker, Arm [Ku], 6-12
- Shaft, Stop Lever, 5-29
- Shaker Wldt, 2-53
- Sheave, 01grv, 02.6pd 0.63b [Hc41], 2-31
- Sheave, 01grv, 04.1pd 1.6b [Xl], 2-31
- Sheave, 01grv, Rwk 393400 [3v], 2-31
- Sheave, Cshft [Ku], 6-17
- Sheave, Fan [Ku], 6-8
- Shield, Breather, 5-10, 6-10
- Shield, Heat, Dsl, 2-35
- Shim Kit, 4-7
- Shim, Injection Pump 0.20 mm, 5-25
- Shim, Injection Pump 0.25 mm, 5-25
- Shim, Injection Pump 0.30 mm, 5-25
- Shim, Pump, Injection, 6-23
- Shim, Tappet, Injection [Ku], 6-25
- Shim, Washer, 0.88d 0.51b .020, 2-93
- Shim, Washer, 0.88d 0.51b .060, 2-93
- Shim, 5-27, 6-23



Shock Absorber, 2.3 Strk, 2-47  
 Shoe, Brake, 180 X 30mm, 2-43  
 Shoe, Plstc, Sqge, 14.0, 3-43, 3-45  
 Shroud Assy, Eng, 2-19  
 Shroud, Front, Trimmed, 2-17  
 Shroud, Seat, 2-13  
 Skirt, Debris, Eng Radiator, 2-37  
 Skirt, Neo, .06, 06.38w 40.86l, 06 Hole, 1-1, 2-65  
 Skirt, Neo, .06, 06.85w 27.95l, 08 Hole, 1-1, 2-73, 2-77  
 Skirt, Neo, .06, 07.63w 51.52l, 11 Hole, 2-65  
 Skirt, Neo, .06, 12.00w 45.88l, 07 Hole, 1-1, 2-65  
 Skirt, Neo, .06, 26.99w 40.55l, 36 Hole, 2-65  
 Skirt, Neo, .12, 05.39w 14.01l, 02 Sl, 2-65  
 Skirt, Neo, .18, 10.37w 27.95l, 12 H&S, 1-1, 2-73, 2-77  
 Skirt, Rbr, .37, 04.50w 40.94l, 06 Hole, 1-1, 2-65  
 Sleeve, 0.31b 0.50d 0.3l, Ss, 2-75, 2-79, 2-89  
 Sleeve, 0.49b 0.68d 1.2l [304ss], 2-75, 2-79  
 Sleeve, Cntrl, Pump, Injection [Ku], 6-25  
 Sleeve, Control, 5-27  
 Sleeve, Crankshaft, 5-17  
 Sleeve, Dashpo, Pump, Hyd, Gear, 4-5  
 Sleeve, Governor, 5-13  
 Sleeve, Govnr [Ku], 6-13  
 Sleeve, Nyl, #37 05.0l, 2-41  
 Sleeve, P/M, 0.31b 0.50d 0.3l [430ss], 2-85, 2-91  
 Sleeve, P/M, 0.31b 0.50d 0.7l [430ss], 2-69, 2-85, 2-91  
 Sleeve, P/M, 0.31b 0.50d 0.9l [430ss], 2-35, 2-59, 2-61  
 Sleeve, P/M, 0.34b 0.63d 0.6l, Bnz, 2-71  
 Sleeve, P/M, 0.34b 0.63d 1.2l, Bnz, 2-69  
 Sleeve, P/M, 0.37b 0.50d 0.6l [430ss], 3-9  
 Sleeve, P/M, 0.47b 0.75d 0.5l [430ss], 2-63  
 Sleeve, Pump, Water, 4-3  
 Sleeve, Rbr, 3.50b 3.58d 1.8l, 3-5  
 Solenoid, #10, 12vdc, 4-13, 4-15, 4-17, 4-19  
 Solenoid, #8, 12vdc, 4-11, 4-13, 4-15, 4-17, 4-19  
 Solenoid, 12v, Valve, Hyd [Cec], 4-10  
 Solenoid, Pull, 12vdc, Damper, 2-55  
 Spacer [Ku], 6-21  
 Spacer Plate, 4-8  
 Spacer, Coil, #8, 4-11, 4-19  
 Spacer, Fan, Dsl [M20/T20], 2-31, 2-33  
 Spacer, Fan, 2-33  
 Spacer, Hub, Keyed, 3-7  
 Spacer, Pad, Rbr, 2-67  
 Spacer, Plstc, Ny, 2-13  
 Spacer, Valve, Steering, 4-21  
 Spacer, 3-7  
 Spool, Pilot, Dual, Hyd, 4-19

Spool, Pilot, Hyd, 4-11, 4-13, 4-15, 4-17, 4-19  
 Spring Kit, Scu [CI], 4-21  
 Spring, Brush, 5-21, 6-19  
 Spring, Cmpr, 0.90d .042wir 02.0l, 2-69  
 Spring, Cmpr, 18.8d, 1.6w, 57.1l, 2-15  
 Spring, Cmpr, Plunger [Ku], 6-25  
 Spring, Cmpr, Relief [Ku], 6-7  
 Spring, Cmpr, Rocker [Ku], 6-12  
 Spring, Cmpr, Valve, Injector [Ku], 6-25  
 Spring, Delivery Valve, 5-27  
 Spring, Dsl, 1.00d 0.50id 1.7l, 2-71  
 Spring, Ext [Ku], 6-19  
 Spring, Extn, 0.75od X 0.09wir, 2.5l, 2-75, 2-79  
 Spring, Extn, 0.75od X 0.12wir, 4.3l, 2-47  
 Spring, Extn, 0.88od X 0.14wir, 9.0l, 2-67  
 Spring, Extn, 1.68od X .203wir, 7.5l, 2-63  
 Spring, Flat, Retainer, Angled Screen, 2-51  
 Spring, Flat, Retainer, Screen, 2-51  
 Spring, Flt, 0.08th, 4.50w X 07.0l, 2-67  
 Spring, Governor [Ku], 6-28  
 Spring, Governor, 5-30  
 Spring, Keeper, 2-71  
 Spring, Motor, Hyd, 4-5  
 Spring, Plunger, 5-27  
 Spring, Return, 5-29  
 Spring, Rocker Arm, 5-12  
 Spring, Start [Ku], 6-28  
 Spring, Start, 5-30  
 Spring, Tors [Ku], 6-27  
 Spring, Tors, 0.75id .06wir 02.8coil, 2-45  
 Spring, Tors, 1.13id .12wir 02.3coil Rh, 2-45  
 Spring, Valve [Ku], 6-12  
 Spring, Valve, 5-12  
 Spring, Wir, 0.08d, Brake, Parking, 2-45  
 Spring, Wir, 0.16d, Brush Retaining, 2-3  
 Spring, Wir, 0.25d, Return, Brake, 2-43  
 Spring, 4-5, 5-7, 5-21, 6-19  
 Squeegee Assy, Sba, Linatex, 1-1, 3-7  
 Squeegee Assy, Sba, Ure, 1-1, 3-7  
 Squeegee Kit, Rear, Replmt [M20/T20], 2-69  
 Squeegee Wldt, Rear, 2-69  
 Starter, 12vdc [Kubota], 6-19  
 Steer-Control, Hyd#05, 06.1 2030 (See Breakdown), 2-15  
 Steer-Control, Hyd05, 06.1 2030, 4-21  
 Stem, Valve, Hyd [4w2p], 4-15, 4-19  
 Stem, Valve, Hyd, 4w2p, 4-11, 4-13, 4-17  
 Stem, Valve, Hyd, 4-13, 4-15, 4-17, 4-19  
 Stop, Rotation, 2-71  
 Stopper, Cam [Ku], 6-15  
 Stopper, Camshaft, 5-15  
 Stopper, Fuel [Ku], 6-13  
 Stopper, 5-13  
 Strainer, Hyd, 25gpm 100mesh Psi, 2-113  
 Strainer, Hyd, 25 Gpm 100 Mesh, 1-1  
 Strainer, Soltn, 20 Mesh, Cyl 3.5d 9.5l, 3-5  
 Strap, Door, Dump, Side, 2-57

Strap, Door, Dump, 2-57  
 Strap, Mtg, Motor, .124.00W, 2-53  
 Strap, Pyp, 0.07 1.0w 18.5l, W/ Buckle, 3-43  
 Strap, Rbr, Tie-Down, 2/Hooks 19.0l, 2-39  
 Strap, Retaining, Hose, 2-85, 2-91  
 Strap, Sppt, 2-47  
 Strap, Static, Afrmkt, 2-65  
 Strap, Tank, Gas, 2-25  
 Strip Mtg, Seal, 2-17  
 Strip, Flap, Recirculation, 2-65  
 Strip, Non-Slip, 0.50w 06.0l, 2-69  
 Strip, Rbr, 0.06 01.00W 04.0L, 2-53  
 Strip, Rbr, 0.06 04.00w 05.0l Neo/60, 2-53  
 Stud [Ku], 6-7, 6-11, 6-12, 6-23, 6-27  
 Stud, .31-18 2.75l M8 X 1.25, Ss, 2-69  
 Stud, Ball, .39d .31-16, Gasspring, 2-13  
 Stud, 5-7, 5-11, 5-12, 5-25, 5-29, 5-31  
 Switch Assy, Press, 3.0, 19.5l Tube, 3-5  
 Switch Kit, Pump, Repair,, 4-23  
 Switch, Ignition [Ku], 2-11  
 Switch, Magneto [Ku], 6-19  
 Switch, Press, 10psi, Spst, 3-17  
 Switch, Press, Dpdt 0006psi, 2-21  
 Switch, Press, Spdt 0008psi, 2-55  
 Switch, Rocker, Dpdt Mom/Off/Mom, 2-11  
 Switch, Rocker, Dpdt On/None/On, 3-47  
 Switch, Rocker, Dpdt On/Off/On, 2-11  
 Switch, Snap, 15a No, Rlr, 2-49  
 Switch, Temp [160F], 2-53  
 Switch, Thermal, 160Deg, Spdt (Replaced by 9003444), 2-53  
 Switch, Thermostat, Water, 2-21, 2-22

**T**

Tank Kit, Soltn, W/ Bracket, Replmt, 2-81  
 Tank, Coolant, 04.7 03.3 4.7deep, 1liter, 2-37  
 Tank, Detgt, Trimmed, 3-5  
 Tank, Fuel, 11.2gal [M20/T20], 2-25  
 Tank, Fuel, 11.2gal, Dsl, Replmt [2007], 2-25  
 Tank, Fuel, 11.2gal, Dsl, Replmt, Na[08], 2-25  
 Tank, Fuel, 11.2gal, Dsl, Replmt, Tj[08] (Japan Only), 2-25  
 Tank, Recvy, Trimmed, 2-89  
 Tank, Soltn, W/ Label [M20], 2-81  
 Tappet [Ku], 6-15  
 Tappet, Pump, Injection [Ku], 6-25  
 Tappet, 5-15  
 Terminal, Bullet, Mal, .157d, 12ga, 3-35, 3-37, 3-38, 3-39  
 Terminal, Fem, Mp280, Sealed, 18-16ga, 4-23  
 Terminal, Tab, .25 .19h .84l, 2-21  
 Thermostat, 180deg, 1.7d [Ku], 5-31, 6-29  
 Thrust Bearing, 4-8  
 Tie, Cable, 6.0l, 1.25d Max, 3-38, 3-39  
 Tie, Cable, 11.3l, 2.75d Max, 3-17

## CROSS REFERENCE

Tie, Cable, Nyl, 07.3l .19w 1.8 Max D, 2-11, 2-27, 2-37, 2-41, 3-17, 3-38, 3-39  
Tie, Cable, Nyl, 15.3l . W 4.5 Max D, 2-37, 3-17, 3-23, 3-31  
Tie, Cable, Nyl, 15.3L . W 4.5 Max D, 2-53  
Timer, 12vdc, 10 Sec. 2-27  
Tire Assy, Solid, 16.0x3.5, W/ Brg [Ni], 2-43  
Tire Assy, Solid, 18.0X6.0 4.5BC/5Bolt, 2-41  
Tire Assy, Solid, 18.0x6.0 4.5bc/5bolt, 1-1  
Tire, Non-Skid, 18.0X6.0X12.10, 2-41  
Tire, Solid, 16.0 X 3.5 X 12.1 [Nitrile], 2-43  
Tower, Wldt, Lift, Lh, Replmt [M20], 2-5  
Tower, Wldt, Lift, Rh, Replmt [M20], 2-5  
Tray Wldt, Drip, Dsl, 2-27  
Tray Wldt, Drip, Fuel, 2-27  
Tray Wldt, Fuel, 2-25  
Tray Wldt, Perma-filter (Replaced By none), 2-53  
Tray, Perma-Filter, 2-53  
Tread, Non-Skid, 01.9w 08.0l, 2-5  
Tread, Non-Skid, 02.2w 11.5l, 3-11  
Tread, Non-Skid, 03.0w 11.6l, 2-5, 2-7, 2-46  
Tube Assy, Plug, Drain, 2-89  
Tube Kit, Tank, Recvy, Replmt, 2-91  
Tube Kit, Tank, Soltn, Replmt, 2-85  
Tube Wldt, Arm, Safety, 2-49  
Tube Wldt, Exhaust, 1.5d, 4 Hole Flng, 2-35  
Tube Wldt, Leg, Ohg, Lh, Pntd, 3-41  
Tube Wldt, Leg, Ohg, Rh, Pntd, 3-41  
Tube Wldt, Plug, Drain, 2-89  
Tube Wldt, Torque, 2-63  
Tube, 0.38id 0.75od 00.3l, Ss, 2-33  
Tube, 0.50d 0.32b 00.4l, Ss, 2-85, 2-91  
Tube, 00.38d 00.26b 00.3l Stl Plt, 2-47  
Tube, 00.50d 00.38b 00.6l Stl, 2-47  
Tube, 2.90id 3.00od 02.4l, Ss, 2-85, 2-91  
Tube, Acrylic, Hose, Pinch, 2-91  
Tube, Breather, 5-10, 6-10  
Tube, Distribution, Water, 2-87  
Tube, Drain, Starter, 6-19  
Tube, Exhaust, 1.5d, 2-35  
Tube, Exhaust, Dsl, 2-35  
Tube, Hyd, 08 Jf08/Jf08, 3-13  
Tube, Hyd, 08 Jf08/Jm08, 2-59  
Tube, Hyd, Brush Return, 2-61  
Tube, Hyd, Main Return, 2-111  
Tube, Hyd, Rear Sqge [M20], 2-111  
Tube, Hyd, Sqge, 2-111  
Tube, Hyd, Swp, 2-115  
Tube, Injector, Pipe #1 [Ku], 6-20  
Tube, Injector, Pipe #2 [Ku], 6-20  
Tube, Injector, Pipe #32 [Ku], 6-20  
Tube, Pin [Ku], 6-3  
Tube, Pvc, Clr, 4.0l [Shc80], 3-21, 3-23  
Tube, Radiator, Lower, Dsl, 2-37  
Tube, Rnd, 1.75d 0.77b 01.1l, Stl, Pntd, 2-41

Tube, Seat, Valve, Oil [Ku], 6-7  
Tube, Transition, Casting, 2-95  
Tube, Vacuum, 2-55  
Tube, Vinyl, Pump, Water, 4-3  
Tube, Wand, Vacuum, Metal [1pick=1box], 3-43  
Tube, Wand, Vacuum, Metal, 3-45  
Tubing Connctr.Kit, Gorman Pmp, 4-22

### U

Upper Hsg Kit, Pump, Repair,, 4-23

### V

Valve Assy, Relief [Ci], 4-21  
Valve Assy, Water, Solenoid , 12vdc, 2-87  
Valve Assy, Water, Solenoid, 12vdc, 3-11  
Valve Kit, Poppet, Gorman Rupp, 4-22  
Valve Stem, N.O.Valve, Hyd, 4-10  
Valve, Breather, Complt, 5-10, 6-10  
Valve, Check, 0002psi [Fast li+], 4-24  
Valve, Check, 0002psi Bm04/Bm04, 3-19  
Valve, Check, 0005psi [Fast li+], 4-24  
Valve, Check, 0005psi Bm06/Bm08, 3-27  
Valve, Check, Pump, Water, 4-3  
Valve, Check, 4-11, 4-13, 4-15, 4-17, 4-19  
Valve, Cntrl, Hyd (See Breakdowns), 2-115  
Valve, Cntrl, Hyd [M20 And T20] (See Breakdown), 3-13  
Valve, Cntrl, Hyd [M20 And T20], 4-13  
Valve, Cntrl, Hyd [M20] (See Breakdowns), 2-115  
Valve, Cntrl, Hyd [M20], 4-11  
Valve, Cntrl, Hyd, Solenoid, 03/16gpm, 4-15  
Valve, Cntrl, Hyd, 4-17  
Valve, Cntrl, Solenoid, 4-11, 4-19  
Valve, Delivery, 5-27  
Valve, Eng [Delivery, Ku], 6-25  
Valve, Exhaust [Ku], 6-12  
Valve, Exhaust, 5-12  
Valve, Hyd Cartridge 10no/-0, 4-10  
Valve, Hyd, Check, Jm08/Om08 5000psi, 3-13  
Valve, Hyd, Relief, 4-11  
Valve, Hyd, Solenoid 12vdc 3000psi (See Breakdown), 3-13  
Valve, Hyd, Solenoid, 12vdc (See Breakdown), 2-117  
Valve, Hyd, Solenoid, 12vdc, 4-19  
Valve, Inlet, 5-12  
Valve, Intake [Ku], 6-12  
Valve, Motor, Hyd, 4-5  
Valve, Relief, 0600Psi, 2-117  
Valve, Relief, 3000 Psi, 4-7  
Valve, Relief, 4000 Psi, 4-7  
Valve, Relief, 4-13, 4-15, 4-17, 4-19  
Valve, Shutoff, 3-47  
Valve, Solenoid, 12vdc, Water Flow, 3-23, 3-31  
Valve, Stem, No, 4-13, 4-15, 4-17, 4-19

Valve, Water, 12vdc, 6.0mm, 04pf, 3-17  
Valve, Water, Solenoid, 12vdc 0.08pf, 3-3  
Valve, Water, Solenoid, 12vdc 6.0mm Pf04, 3-27  
Video, Oprtr, Dvd [W/Checklist M20], 3-53  
Vr, Filter, Screen, 50 Mesh .59d .8l Ss, 3-17  
Vr, Plug, Orifice, Valve, Hyd, .040, 4-11

### W

Wand Kit, Vacuum, Ci [M20], 3-43, 3-45  
Wand, Clean-Out, 3-47  
Washer 1, 5-12  
Washer 2, 5-12  
Washer, Adjusting [Ku], 6-21  
Washer, Belleville, .31, 2-47  
Washer, Collar, Gear [Ku], 6-15  
Washer, Flat [Ku], 6-12, 6-27  
Washer, Flat, .78b 1.75d .18, Ss, 2-89  
Washer, Flat, #06, 2-37, 2-53  
Washer, Flat, #08, 2-13  
Washer, Flat, #10 Ss, 2-47  
Washer, Flat, #10, Ss, 3-3, 3-17, 3-23, 3-47, 3-51  
Washer, Flat, #10, 2-13, 2-19, 2-31, 2-39, 2-49, 3-47  
Washer, Flat, 0.25 Fender, 2-95  
Washer, Flat, 0.25 Fendr, 2-13, 2-19  
Washer, Flat, 0.25 Sae, 2-13, 2-15, 2-53, 2-55  
Washer, Flat, 0.25 Std, 2-39, 2-45, 2-47, 3-17, 3-19  
Washer, Flat, 0.25, Sae, 2-25, 2-29, 2-31, 2-33, 2-35, 2-47  
Washer, Flat, 0.25, Ss, 2-53, 2-57, 2-65, 2-87, 2-89, 3-49  
Washer, Flat, 0.25, Std, 2-7, 2-27, 2-31, 2-37  
Washer, Flat, 0.27B 0.69D .05, Ss, 3-27  
Washer, Flat, 0.27b 0.69d .05, Ss, 2-3, 2-82, 3-49  
Washer, Flat, 0.31 Sae, 2-7, 2-13, 2-19, 2-41, 2-47, 2-75, 2-79, 2-81, 2-85, 2-91  
Washer, Flat, 0.31 Std, 2-47, 2-113  
Washer, Flat, 0.31, Ss, 2-29, 2-35, 2-37, 2-53, 2-57, 2-65, 2-67, 2-69, 2-71, 2-75, 2-79, 2-85, 2-91, 3-3, 3-7, 3-9  
Washer, Flat, 0.31, Std, 2-5, 2-7, 2-13, 2-15, 2-17, 2-22, 2-25, 2-27, 2-31, 2-33, 2-35, 2-37, 2-41, 2-45, 2-59, 2-61, 2-63, 2-65, 2-85, 2-89, 2-91, 2-111, 2-115, 3-9, 3-11, 3-13, 3-41, 3-49  
Washer, Flat, 0.32b 1.00d .12, Ss, 2-7, 2-13, 2-19, 2-51, 2-57, 2-81, 2-85, 2-89, 2-91, 2-93, 2-115, 2-117, 3-5, 3-19, 3-27, 3-33, 3-35, 3-37, 3-47  
Washer, Flat, 0.34b 0.75d .12 [Viton], 3-17  
Washer, Flat, 0.38 Sae, 2-47, 2-63, 2-71, 2-95, 2-109

Washer, Flat, 0.38 Std, 2-5, 2-13, 2-47,  
 2-55, 2-111, 3-7, 3-41, 3-43, 3-51  
 Washer, Flat, 0.38, Sae, 2-21, 2-29, 2-31  
 Washer, Flat, 0.38, Std, 2-31, 2-33  
 Washer, Flat, 0.38b 1.25d .12, Neo, 2-51,  
 2-57  
 Washer, Flat, 0.40b 1.12d .12, Ss, 2-95  
 Washer, Flat, 0.40b 1.12d .12, Ss, 2-37,  
 2-53, 2-57, 2-71, 2-93, 3-41  
 Washer, Flat, 0.41b 1.25d .12, Pye, 2-13  
 Washer, Flat, 0.44b 1.00d .08, Ss, 2-5,  
 2-49, 2-67, 3-11  
 Washer, Flat, 0.50 Sae, 2-15, 2-43, 3-9  
 Washer, Flat, 0.50, Sae, 2-37, 2-55  
 Washer, Flat, 0.50, Std, 2-21, 2-22  
 Washer, Flat, 0.53b 1.88d .12, Stil, Pl, 2-7,  
 2-21, 2-67, 2-69  
 Washer, Flat, 0.56b 1.38d .11, Ss, 2-63,  
 2-67, 2-75, 2-79  
 Washer, Flat, 0.62 Sae, 2-17  
 Washer, Flat, 0.66b 1.00d .12, Rbr, 3-3,  
 3-47  
 Washer, Flat, 0.69b 1.19d .06, Stil, Pl, 2-71  
 Washer, Flat, 0.75 Sae, 2-41  
 Washer, Flat, 0.76b 1.50d .06, Ss, 2-43  
 Washer, Flat, 0.79b 1.18d .06, Nyl, 2-85,  
 2-91  
 Washer, Flat, 0.81b 1.06d .06, Stil, 2-37  
 Washer, Flat, 06, 3-45  
 Washer, Flat, 1.10b 1.50d .12, Stil, Pl, 2-33  
 Washer, Flat, 1.15b 1.75d .08, Stil, 2-11  
 Washer, Flat, 1.39b 2.12d .13, Stil, 2-41  
 Washer, Flat, 10, Ss, 2-33, 3-27, 3-31  
 Washer, Flat, 10, 2-33, 3-33, 3-35, 3-37,  
 3-38, 3-39  
 Washer, Flat, 2.16b 3.50d .16, Felt, 2-41  
 Washer, Flat, Belleville, .25, 2-75, 2-79  
 Washer, Flat, Belleville, .31, 2-33, 2-85,  
 2-91, 2-93, 3-9  
 Washer, Flat, Belleville, .38, 2-67, 2-75,  
 2-79  
 Washer, Flat, Belleville, .50, 2-75, 2-79  
 Washer, Flat, Belleville, M10, 2-51  
 Washer, Flat, M21.0b X 37d X 3, 2-43  
 Washer, Flat, Pump, Hyd, 4-7  
 Washer, Lock, Int, #06, 2-53  
 Washer, Lock, Int, #08, Ss, 2-55  
 Washer, Lock, Int, #10, Ss, 3-17  
 Washer, Lock, Int, 0.38, 2-31, 2-33  
 Washer, Lock, Int-Ext, 0.31, 2-65  
 Washer, Lock, Split [Ku], 5-31, 6-7, 6-23,  
 6-27  
 Washer, Plain [Ku], 6-18, 6-21  
 Washer, Plain, 5-12, 5-29, 5-30  
 Washer, Pump, Hyd [En], 4-7  
 Washer, Rbr, 4-3  
 Washer, Sealing, 0.28b 0.75d Ss, Neo,  
 2-89  
 Washer, Shaft, Rocker [Ku], 6-12  
 Washer, Shld, Nyl [8-32], 2-11  
 Washer, Spring, 5-7, 5-25, 5-29  
 Washer, Thrust [Ku], 6-13  
 Washer, Thrust, 0.34b 1.50d .06, 2-85,  
 2-91  
 Washer, Thrust, 0.61b 1.25d .06, Fgl,  
 2-71, 2-73, 2-75, 2-77, 2-79, 3-7  
 Washer, Thrust, 1.00b 1.75d 0.13w, Fbr,  
 3-9  
 Washer, Thrust, 5-13  
 Weight, Comp, Govnr [Ku], 6-13  
 Weight, Eccentric, 2-53  
 Wheel, 06.0d 2.00w 1.19b, Gray Rbr, 2-5,  
 2-55, 3-11  
 Wheel, 3.0d 1.38w 0.50b, 1-1, 2-71  
 Wheel, 4.0d 0.89w 0.64b, 2-69  
 Wheel, Steering, 14.3d 0.81b 36tooth,  
 2-15  
 Wire, Ground, 2-33

## Y

Yoke, 6-19





# We Need Your Help...

As part of Tennant's Zero Defects Program, we want to know about errors you have found or suggestions you may have regarding our machine manuals. If you find an error or have a suggestion, please complete this postage-paid form and mail it to us. Thank you for helping us make zero defects a way of life at Tennant.

Manual No. \_\_\_\_\_ Rev. No. \_\_\_\_\_ Publish Date \_\_\_\_\_ Page \_\_\_\_\_  
Machine \_\_\_\_\_  Report Error  Suggestion

---

---

---

---

---

---

---

---

---

---

---

---

---

---

---

---

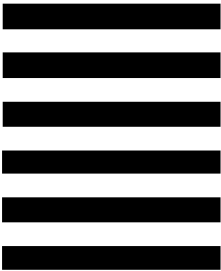
Name \_\_\_\_\_ Date \_\_\_\_\_  
Customer Number \_\_\_\_\_  
Company \_\_\_\_\_  
Address \_\_\_\_\_  
City/State/Zip Code \_\_\_\_\_



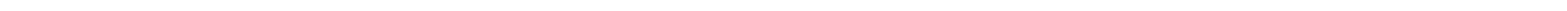
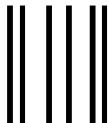
**TENNANT COMPANY**  
 Technical Publications #15  
 701 North Lilac Drive  
 P.O. Box 1452  
 Minneapolis, MN 55440-9947

POSTAGE WILL BE PAID BY ADDRESSEE

**BUSINESS REPLY MAIL**  
 FIRST CLASS MAIL PERMIT NO. 94 MINNEAPOLIS, MN

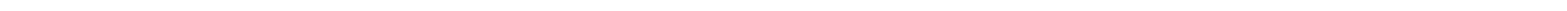


NO POSTAGE  
 NECESSARY  
 IF MAILED  
 IN THE  
 UNITED STATES



Fold along dotted lines

Tape here





# We Need Your Help...

As part of Tennant's Zero Defects Program, we want to know about errors you have found or suggestions you may have regarding our machine manuals. If you find an error or have a suggestion, please complete this postage-paid form and mail it to us. Thank you for helping us make zero defects a way of life at Tennant.

Manual No. \_\_\_\_\_ Rev. No. \_\_\_\_\_ Publish Date \_\_\_\_\_ Page \_\_\_\_\_  
 Machine \_\_\_\_\_  Report Error  Suggestion

---

---

---

---

---

---

---

---

---

---

---

---

---

---

---

---

---

---

---

---

---

---

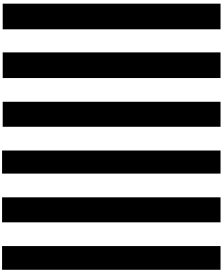
Name \_\_\_\_\_ Date \_\_\_\_\_  
 Customer Number \_\_\_\_\_  
 Company \_\_\_\_\_  
 Address \_\_\_\_\_  
 City/State/Zip Code \_\_\_\_\_



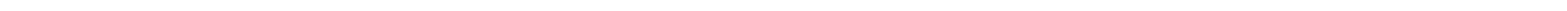
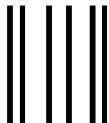
**TENNANT COMPANY**  
 Technical Publications #15  
 701 North Lilac Drive  
 P.O. Box 1452  
 Minneapolis, MN 55440-9947

POSTAGE WILL BE PAID BY ADDRESSEE

**BUSINESS REPLY MAIL**  
 FIRST CLASS MAIL PERMIT NO. 94 MINNEAPOLIS, MN



NO POSTAGE  
 NECESSARY  
 IF MAILED  
 IN THE  
 UNITED STATES



Fold along dotted lines

Tape here

